



US00D511334S

(12) **United States Design Patent** (10) **Patent No.:** **US D511,334 S**
Winebrenner et al. (45) **Date of Patent:** **** *Nov. 8, 2005**

(54) **ELECTRONIC COMMUNICATION DEVICE**

(75) Inventors: **Jon T. Winebrenner**, Richmond (CA);
Mark H. Hoeveler, Portland, OR (US);
I-Chiang Sun, Portland, OR (US);
Jamian R. Cobbett, Portland, OR (US)

(73) Assignee: **Sierra Wireless, Inc.**, British Columbia (CA)

(*) Notice: This patent is subject to a terminal disclaimer.

(**) Term: **14 Years**

(21) Appl. No.: **29/199,192**

(22) Filed: **Feb. 10, 2004**

(51) **LOC (8) Cl.** **14-03**

(52) **U.S. Cl.** **D14/138**

(58) **Field of Search** D14/137, 138,
D14/218, 147-148, 247-248, 144, 341-347;
379/433.01-433.13, 419, 434, 428.01-428.04,
420.01-420.04, 440; 455/550.1-90.3; D21/517;
D13/168; D18/2, 7; 345/168, 169

(56) **References Cited**

U.S. PATENT DOCUMENTS

4,180,336 A 12/1979 Lonsdale
D296,692 S 7/1988 Besford et al.
D304,175 S 10/1989 Sakaguchi et al.

(Continued)

FOREIGN PATENT DOCUMENTS

EP 0933908 A3 1/1999
EP 0933908 A2 1/1999
EP 0 932 861 8/1999

(Continued)

OTHER PUBLICATIONS

clie_NX70V_web-Microsoft Internet Explorer, Sony PEG-NX07V. pdf, www.sony.com, printed May 2, 2003.

(Continued)

(57) **CLAIM**

The ornamental design for an electronic communication device, as shown and described.

DESCRIPTION

FIG. 1 is a perspective view of the electronic communication device.

FIG. 2 is a front view of the electronic communication device.

FIG. 3 is a back view of the electronic communication device.

FIG. 4 is a left side view of the electronic communication device.

FIG. 5 is a top view of the electronic communication device.

FIG. 6 is a right side view of the electronic communication device.

FIG. 7 is a bottom view of the electronic communication device.

FIG. 8 is a perspective view of the electronic communication device in an open position.

FIG. 9 is a front view of the electronic communication device in an open position.

FIG. 10 is a back view of the electronic communication device in an open position.

FIG. 11 is a left side view of the electronic communication device in an open position.

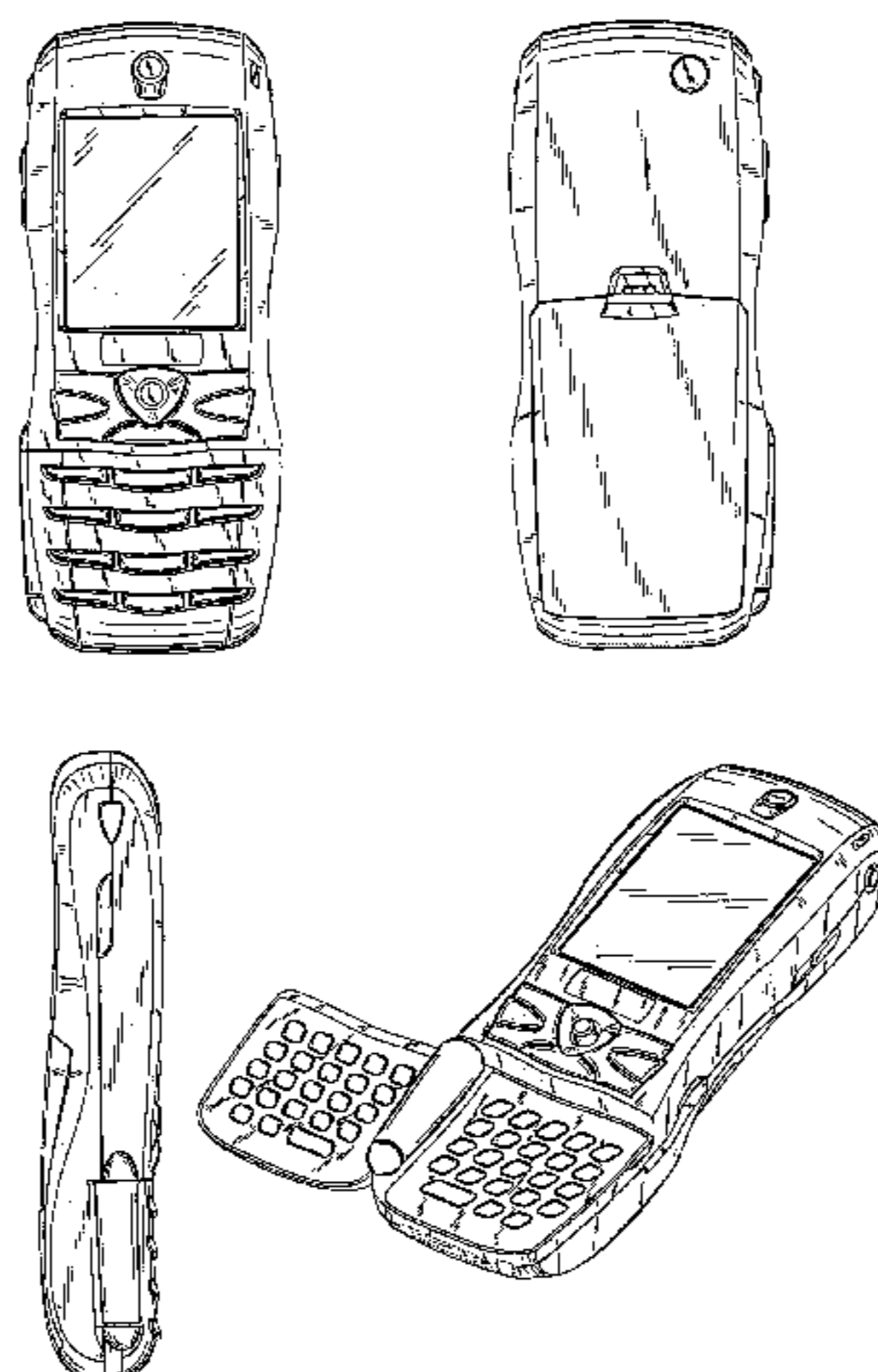
FIG. 12 is a top view of the electronic communication device in an open position.

FIG. 13 is a right side view of the electronic communication device in an open position; and,

FIG. 14 is a bottom view of the electronic communication device in an open position.

The broken line showings throughout the views are for illustrative purposes only and form no part of the claimed design.

1 Claim, 10 Drawing Sheets



U.S. PATENT DOCUMENTS

D312,628 S 12/1990 Yokoi et al.
 D313,401 S 1/1991 Tanabe
 D313,413 S 1/1991 Langton
 D338,461 S * 8/1993 Paton et al. D14/138
 5,337,346 A * 8/1994 Uchikura 455/556.2
 5,584,054 A * 12/1996 Tyneski et al. 455/566
 5,644,338 A 7/1997 Bowen
 5,646,649 A * 7/1997 Iwata et al. 345/173
 D385,875 S * 11/1997 Harris et al. D14/138
 D390,509 S 2/1998 Antzinas et al.
 5,719,936 A 2/1998 Hillenmayer
 5,742,894 A 4/1998 Jambhekar et al.
 5,841,635 A 11/1998 Sadler et al.
 D402,572 S 12/1998 Han
 D416,256 S 11/1999 Griffin et al.
 6,014,552 A * 1/2000 Aiken et al. 455/575.1
 D426,218 S 6/2000 Abed et al.
 6,073,034 A 6/2000 Jacobsen et al.
 D430,858 S * 9/2000 Nakahara et al. D14/138
 D432,511 S 10/2000 Eckholm
 D433,460 S 11/2000 Griffin et al.
 D435,248 S 12/2000 Su
 6,167,251 A 12/2000 Segal et al.
 D436,102 S 1/2001 Wu
 6,208,879 B1 3/2001 Iwata et al.
 6,223,059 B1 4/2001 Hastrup
 6,223,291 B1 4/2001 Puhl et al.
 D441,733 S * 5/2001 Do et al. D14/138
 D443,839 S 6/2001 Brandenburg et al.
 D446,512 S 8/2001 Lee
 6,278,422 B1 8/2001 Ukai et al.
 6,297,945 B1 * 10/2001 Yamamoto 361/681
 D451,079 S * 11/2001 Ali D14/138
 D451,497 S 12/2001 Wang et al.
 D454,349 S * 3/2002 Makidera et al. D14/343
 D455,137 S 4/2002 Wang
 D455,138 S 4/2002 Wang
 D456,794 S 5/2002 Laverick et al.
 6,389,267 B1 5/2002 Imai
 D459,327 S * 6/2002 Ali D14/138
 D460,493 S 7/2002 Griffin et al.
 6,415,156 B1 7/2002 Stadelmann
 6,452,588 B2 9/2002 Griffin et al.
 6,480,377 B2 11/2002 Genest et al.
 6,480,671 B2 11/2002 Takahashi et al.
 D467,917 S 12/2002 Tischer
 D467,918 S * 12/2002 Fitch et al. D14/347
 6,489,950 B1 12/2002 Griffin et al.
 6,493,560 B1 12/2002 Guan et al.
 6,507,727 B1 1/2003 Henrick
 D469,749 S 2/2003 Kim
 D470,150 S 2/2003 Lewis, Jr. et al.
 D470,151 S 2/2003 Lewis, Jr. et al.
 D470,843 S * 2/2003 Horiki D14/346
 D471,559 S 3/2003 De Saulles
 6,535,749 B1 * 3/2003 Iwata et al. 455/556.2
 D472,551 S 4/2003 Griffin
 6,567,677 B1 * 5/2003 Sokoloff 379/433.02
 6,580,932 B1 6/2003 Finke-Anlauff
 D477,596 S * 7/2003 Hayes D14/343
 D478,075 S 8/2003 Hayes
 D478,324 S * 8/2003 O'Neil D14/138
 D478,882 S * 8/2003 Peng et al. D14/138
 D478,883 S 8/2003 Jensfelt et al.
 D479,213 S 9/2003 Ansley et al.
 D479,216 S * 9/2003 Ho-Cheun et al. D14/138
 D480,057 S * 9/2003 Ho-Cheun et al. D14/138
 6,628,508 B2 9/2003 Lieu et al.
 6,628,961 B1 * 9/2003 Ho et al. 455/557
 D481,368 S * 10/2003 Helin D14/138

D481,710 S 11/2003 Helin
 D481,733 S 11/2003 Pan et al.
 6,643,124 B1 * 11/2003 Wilk 361/681
 D483,022 S * 12/2003 Lehtonen D14/138
 6,661,404 B1 * 12/2003 Sirola et al. 345/168
 D485,815 S * 1/2004 Edoff D14/138
 D485,819 S * 1/2004 Ahlgren D14/138
 D486,458 S * 2/2004 Chen et al. D14/138
 D487,066 S * 2/2004 Gartrell et al. D14/138
 D488,453 S 4/2004 Chang et al.
 D488,465 S 4/2004 Gartrell et al.
 D488,787 S * 4/2004 Jung D14/138
 D488,790 S * 4/2004 Peng et al. D14/138
 2001/0034222 A1 10/2001 Roustaei et al.
 2002/0051060 A1 5/2002 Wada
 2002/0072395 A1 * 6/2002 Miramontes 455/566
 2002/0190957 A1 * 12/2002 Lee et al. 345/169
 2003/0039503 A1 2/2003 Lin et al.
 2003/0043118 A1 3/2003 Lee
 2003/0054830 A1 3/2003 Williams et al.
 2003/0063070 A1 4/2003 Kang
 2003/0068183 A1 4/2003 Sabato
 2003/0073456 A1 4/2003 Griffin et al.
 2003/0078069 A1 4/2003 Lindeman
 2003/0081767 A1 5/2003 Montague
 2003/0157957 A1 * 8/2003 Wendorff et al. 455/550

FOREIGN PATENT DOCUMENTS

EP 11372239 A1 3/2001
 EP 1 202 532 5/2002
 JP 2001216078 8/2001
 TW 282599 8/1996
 WO WO/96/23251 8/1996
 WO 97/12470 4/1997
 WO WO/98/19434 5/1998
 WO WO/00/54479 9/2000
 WO 03/028346 4/2003

OTHER PUBLICATIONS

clie Personal Entertainment Organizer, 2003 Sony Electronics Inc., <http://sonyelectronics.sonystyle.com/micros/clie/models/nx70v.html>.
 Nokia 9210i, Benutzerhanduch, http://nds1.nokia.com/phones/files/guides/UG_de_iss3.pdf, retrieved on Apr. 8, 2004.
 Samsung Electronics, Samsung SGH-V200.pdf, www.samsung.com, printed May 2, 2003.
 MacKenzie I. Scott, et al, "A Model of two-Thumb Text Entry", Proceedings of Graphics Interface, Toronto: Canada Information Proceeding Society, (2002), pp. 117-124.
 MacKenzie, I, Scott, et al, "Text Entry for Mobile Computing: Models and Methods, Theory and Practice", Human-Computer Interaction, (2002) pp. 147-198.
 Sony Clie Plaza, CLIE PEG-NX70V, <http://www.clieplaza.com/en/product/nx70v/70v.html>, printed May 24, 2004.
 clie Personal Entertainment Organizer, <http://sonyelectronics.sonystyle.com/micros/clie/model/clie>, <http://sonyelectronics.sonystyle.com/micros/clie/model/clie/models/ux50.html>, printed May 24, 2004.
 SAMSUNG'S Digital World-GSM SGH-V200, Samsung SGH-V200, www.samsung.com, printed May 21, 2004.
 clie Personal Entertainment Organizer, <http://sonyelectronics.sonystyle.com/micros/clie/model/clie>, <http://sonyelectronics.sonystyle.com/micros/clie/model/clie/models/th55.html>, printed May 24, 2004.

clie Personal Entertainment Organizer, <http://sonyelectronics.sonymstyle.com/micros/clie/model/clie>, <http://sonyelectronics.sonymstyle.com/micros/clie/model/clie/models/tj37.html>, printed May 24, 2004.

clie Personal Entertainment Organizer, <http://sonyelectronics.sonymstyle.com/micros/clie/model/clie>, <http://sonyelectronics.sonymstyle.com/micros/clie/model/clie/models/tj27.html>, printed May 24, 2004.

clie Personal Entertainment Organizer, <http://sonyelectronics.sonymstyle.com/micros/clie/model/clie>, PEG-UX40.

clie Personal Entertainment Organizer, <http://sonyelectronics.sonymstyle.com/micros/clie/model/clie>, PEG-NZ90.

clie Personal Entertainment Organizer, <http://sonyelectronics.sonymstyle.com/micros/clie/model/clie>, PEG-NX80V.

clie Personal Entertainment Organizer, <http://sonyelectronics.sonymstyle.com/micros/clie/model/clie>, PEG-NX73V.

clie Personal Entertainment Organizer, <http://sonyelectronics.sonymstyle.com/micros/clie/model/clie>, PEG-TG50.

clie Personal Entertainment Organizer, <http://sonyelectronics.sonymstyle.com/micros/clie/model/clie>, PEG-TJ35.

clie Personal Entertainment Organizer, <http://sonyelectronics.sonymstyle.com/micros/clie/model/clie>, PEG-TJ25.

clie Personal Entertainment Organizer, <http://sonyelectronics.sonymstyle.com/micros/clie/model/clie>, PEG-SJ22.

(373) Andrew Harries et al; Ser. No. 10/330,871; filed Dec. 24, 2002; entitled: Improved Mobile Electronic Device.

(374) Joseph Tosey et al; Ser. No. 10/439,722; filed May 16, 2003; entitled: Mobile Electronic Device With Tactile Keyboard.

(444) Crag Gauld et al; Ser. No. 10/358,497; filed Feb. 4, 2003; entitled: Camera Integration On A Mobile Device.

(482) Ivan Miramontes; Ser. No. 10/468,721; filed Mar. 15, 2004; entitled: Electronic Device With Extendable Keyboard.

(491) Todd Heintz et al; Ser. No. 10/750,264; filed Dec. 31, 2003; entitled: Electronic Device With Fold Out Display And/Or Keyboard.

(553) Jon T. Winebrenner et al; Ser. No. 29/199,192; filed Feb. 9, 2004; entitled: Electronic Communication Device.

(555) Andrew Harries et al; Ser. No. 29/196,614; filed Dec. 31, 2003; entitled: Design For Electronic Communication Device.

(556) Andrew Harries et al; Ser. No. 29/196,579; filed Dec. 31, 2003; entitled: Design For Keyboard Of An Electronic Communication Device.

* cited by examiner

Primary Examiner—Jeffrey Asch

(74) *Attorney, Agent, or Firm*—Thelen Reid & Priest LLP

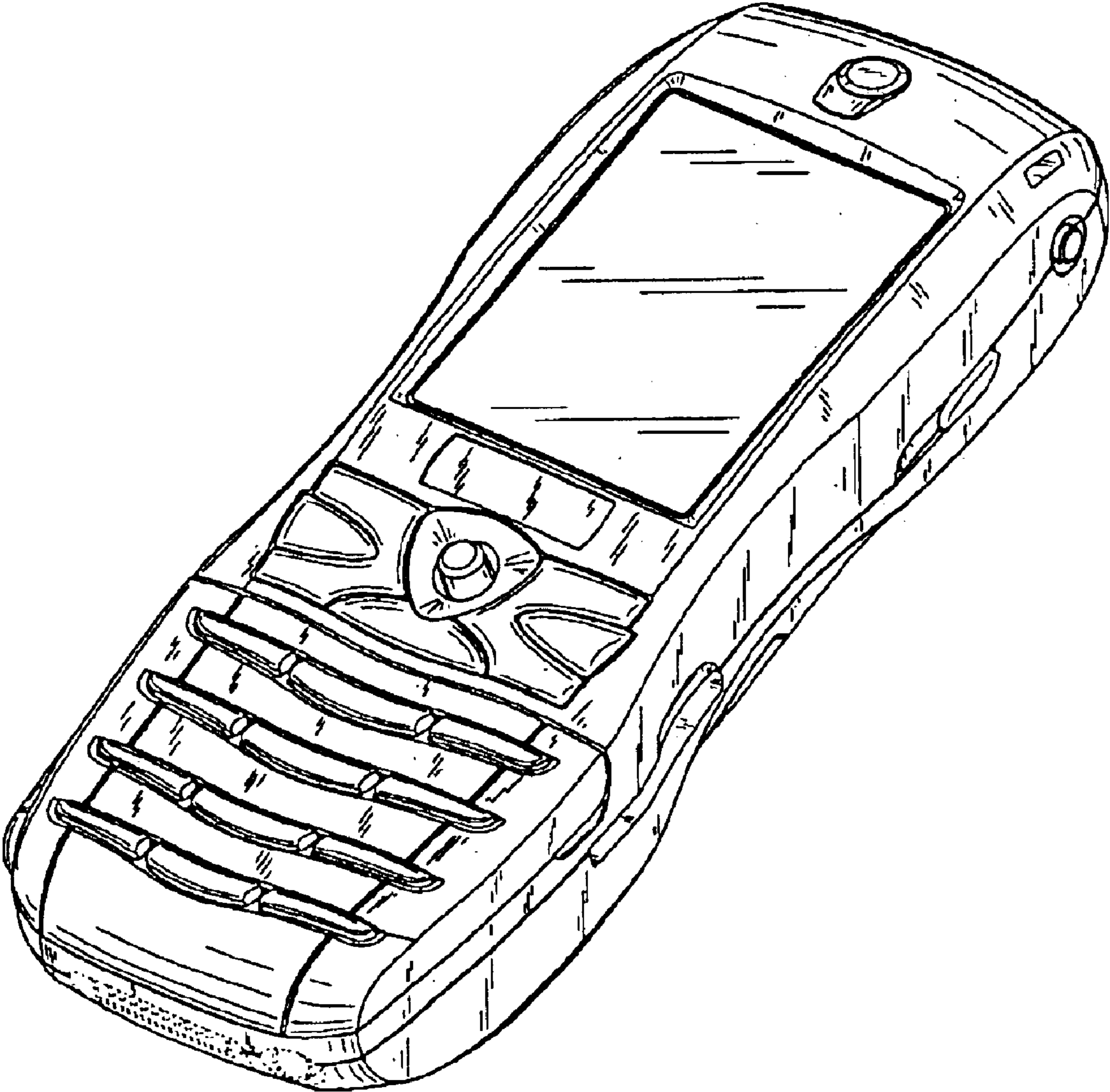


FIG. 1

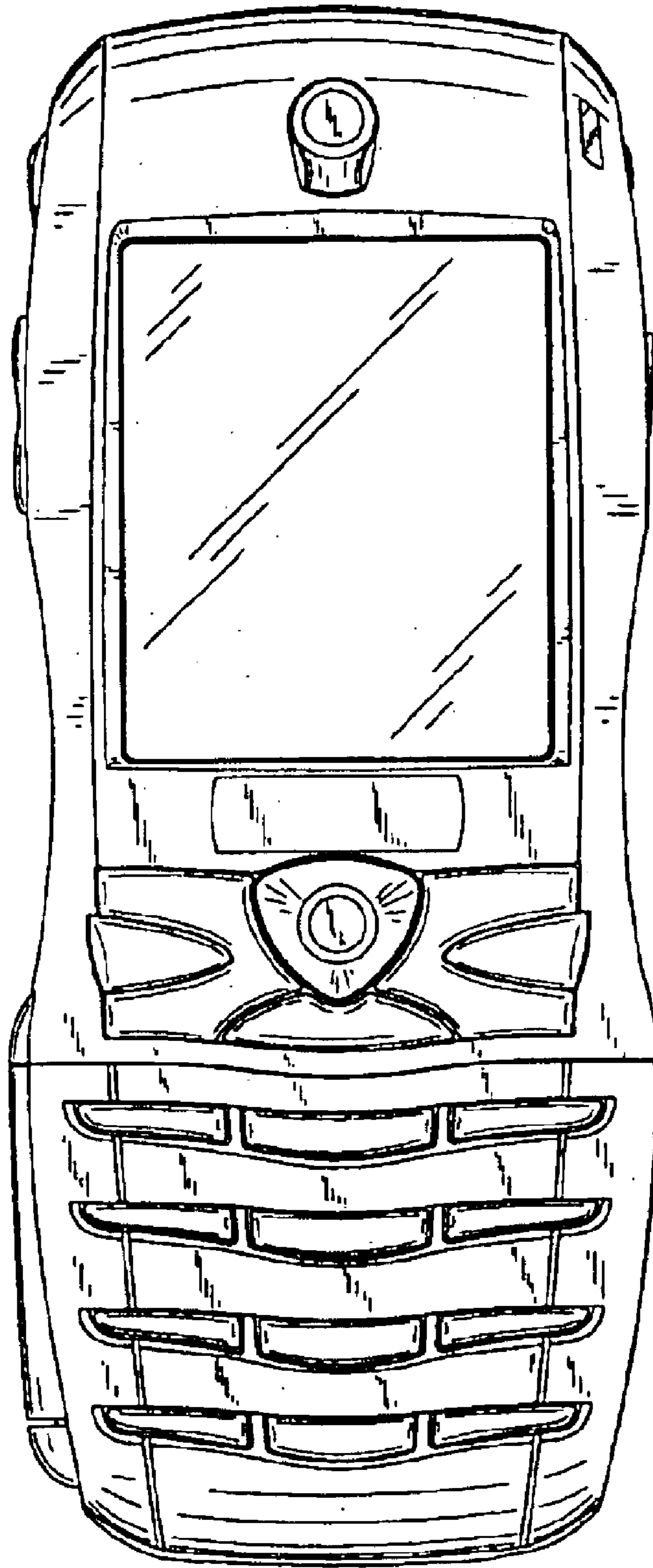


FIG. 2

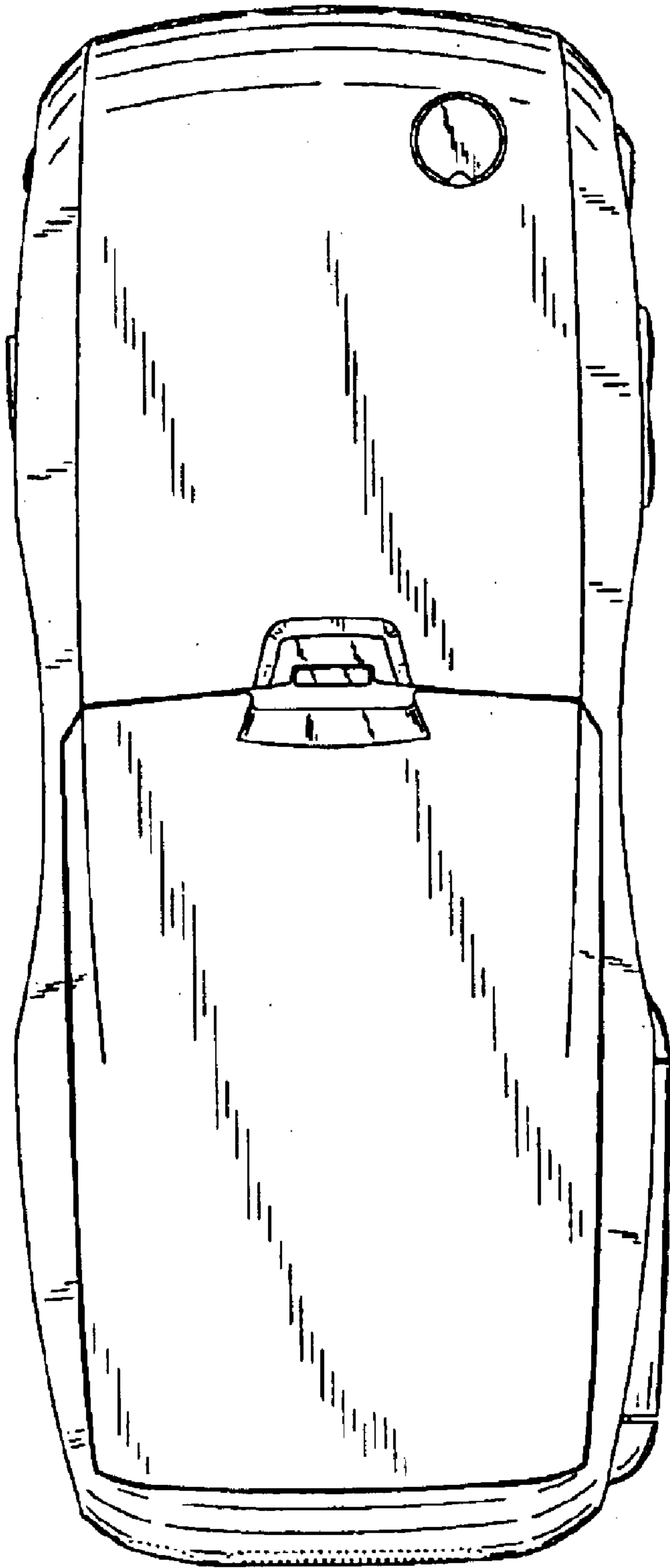


FIG. 3

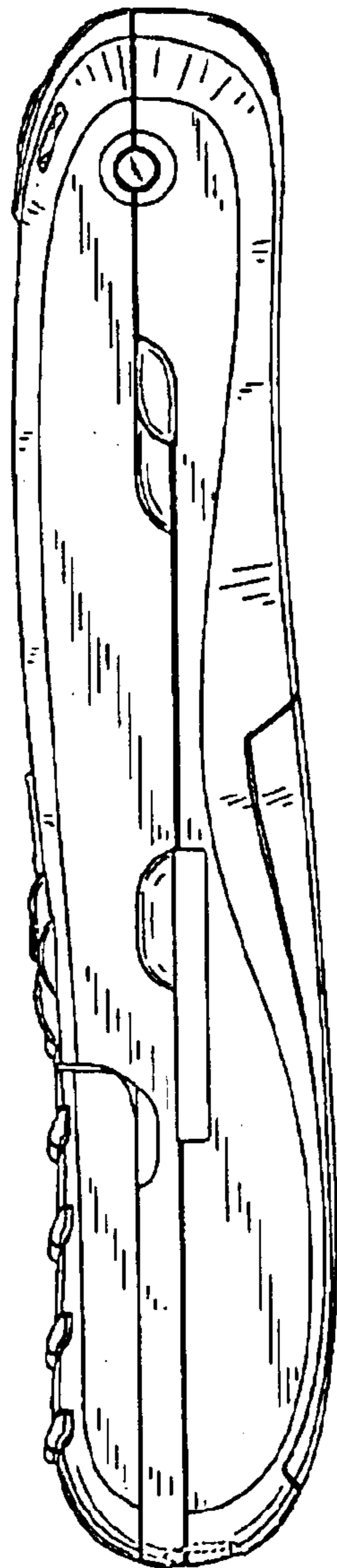


FIG. 4

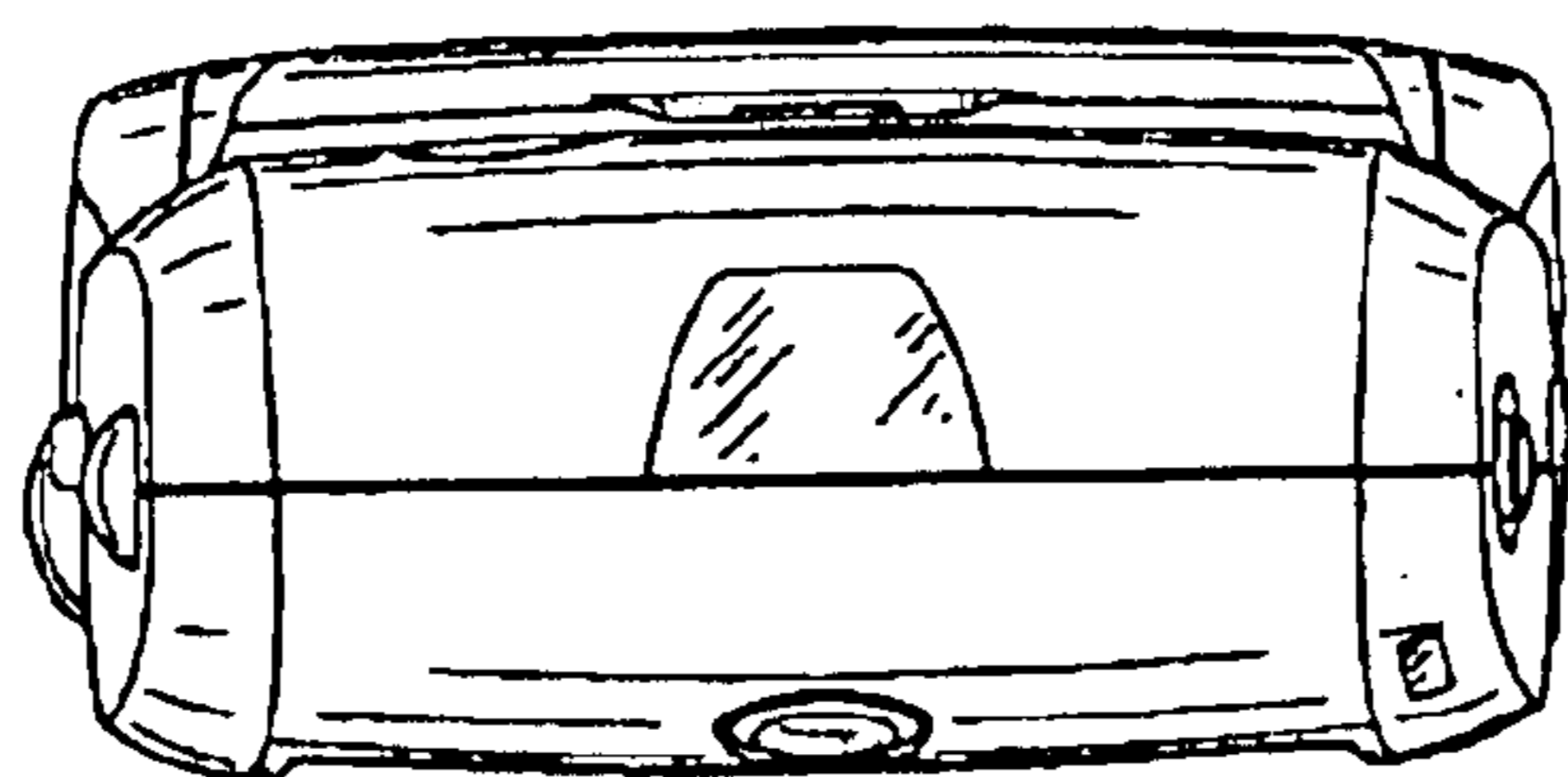


FIG. 5



FIG. 6

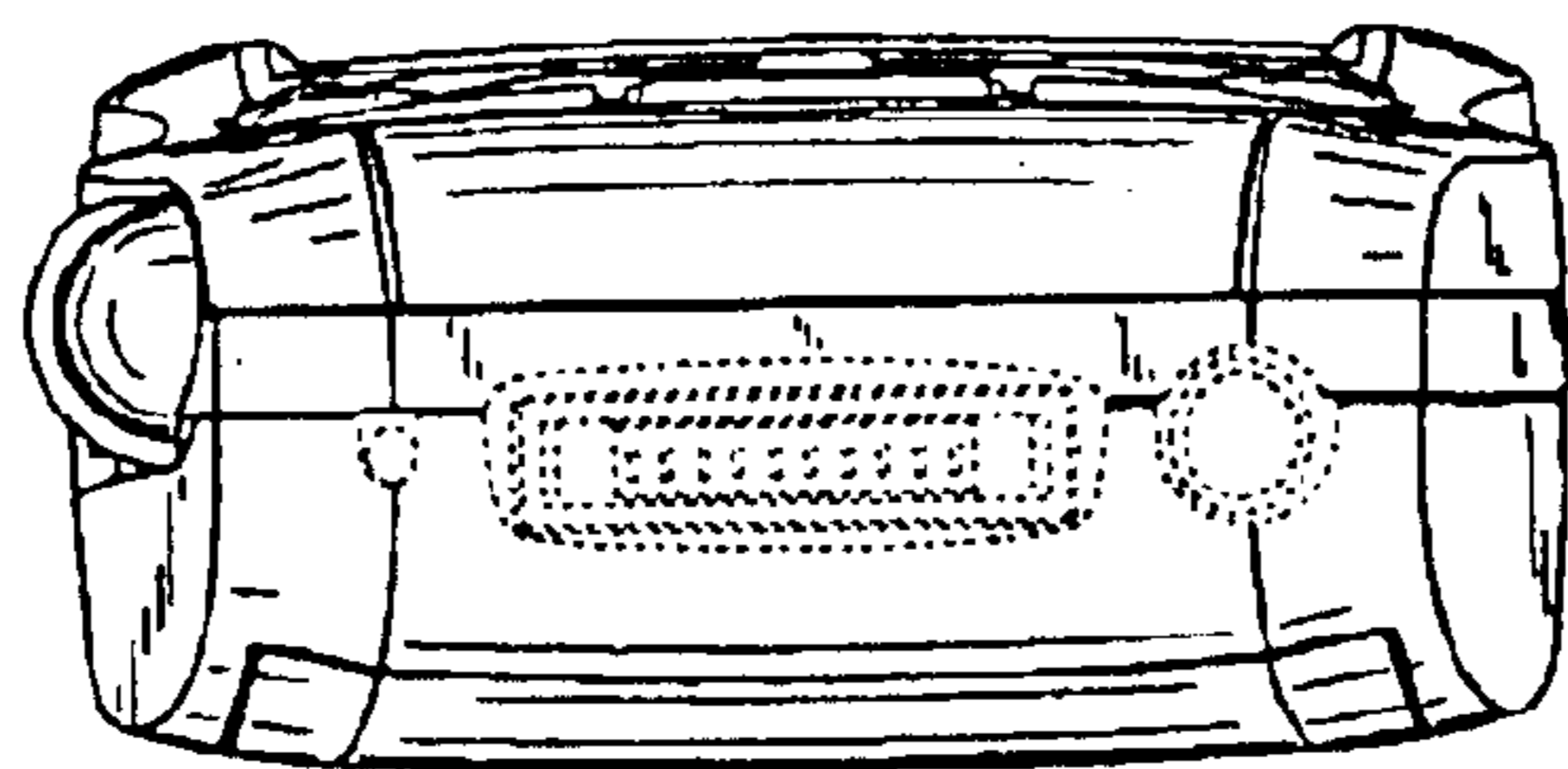


FIG. 7

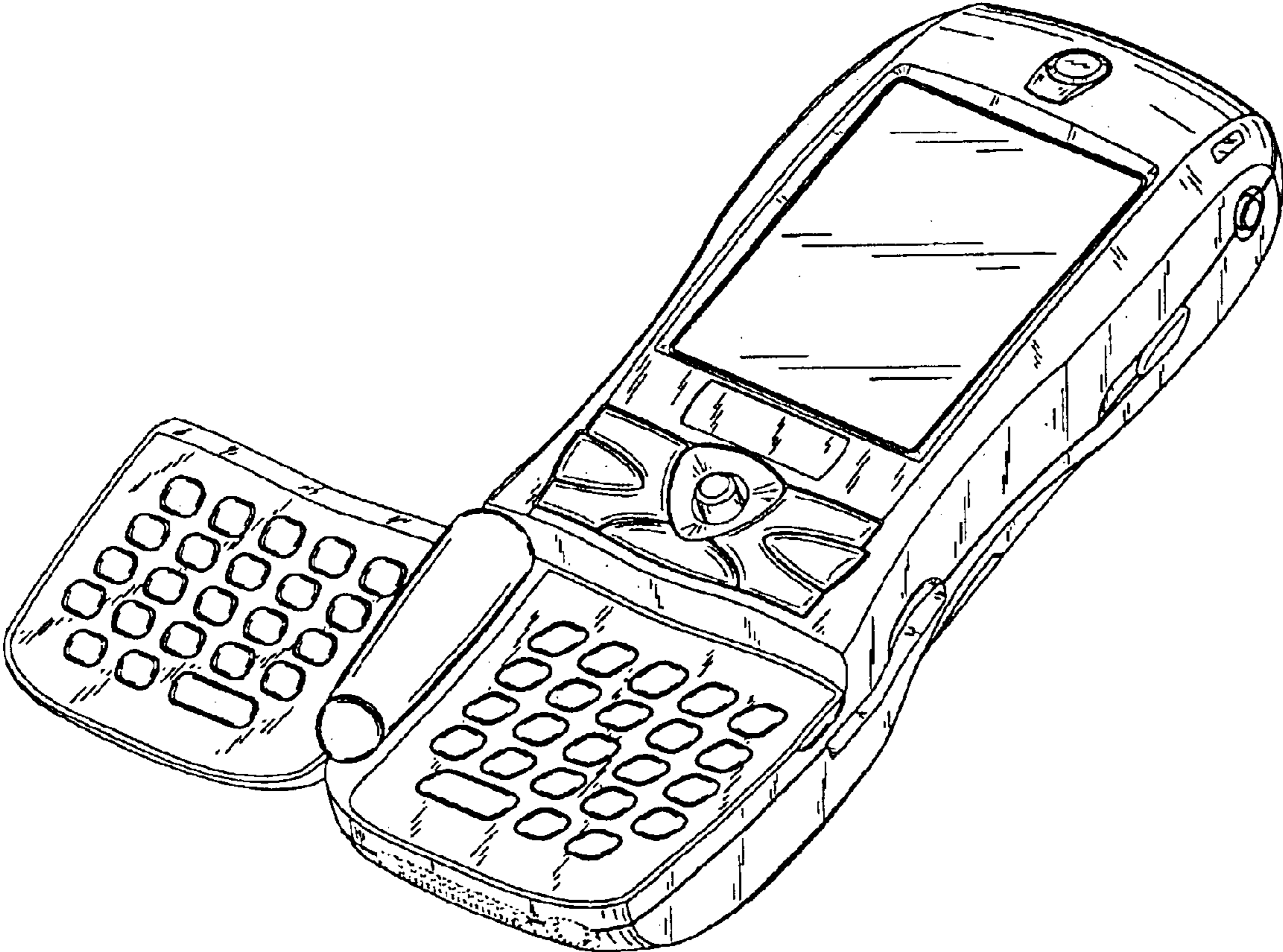


FIG. 8

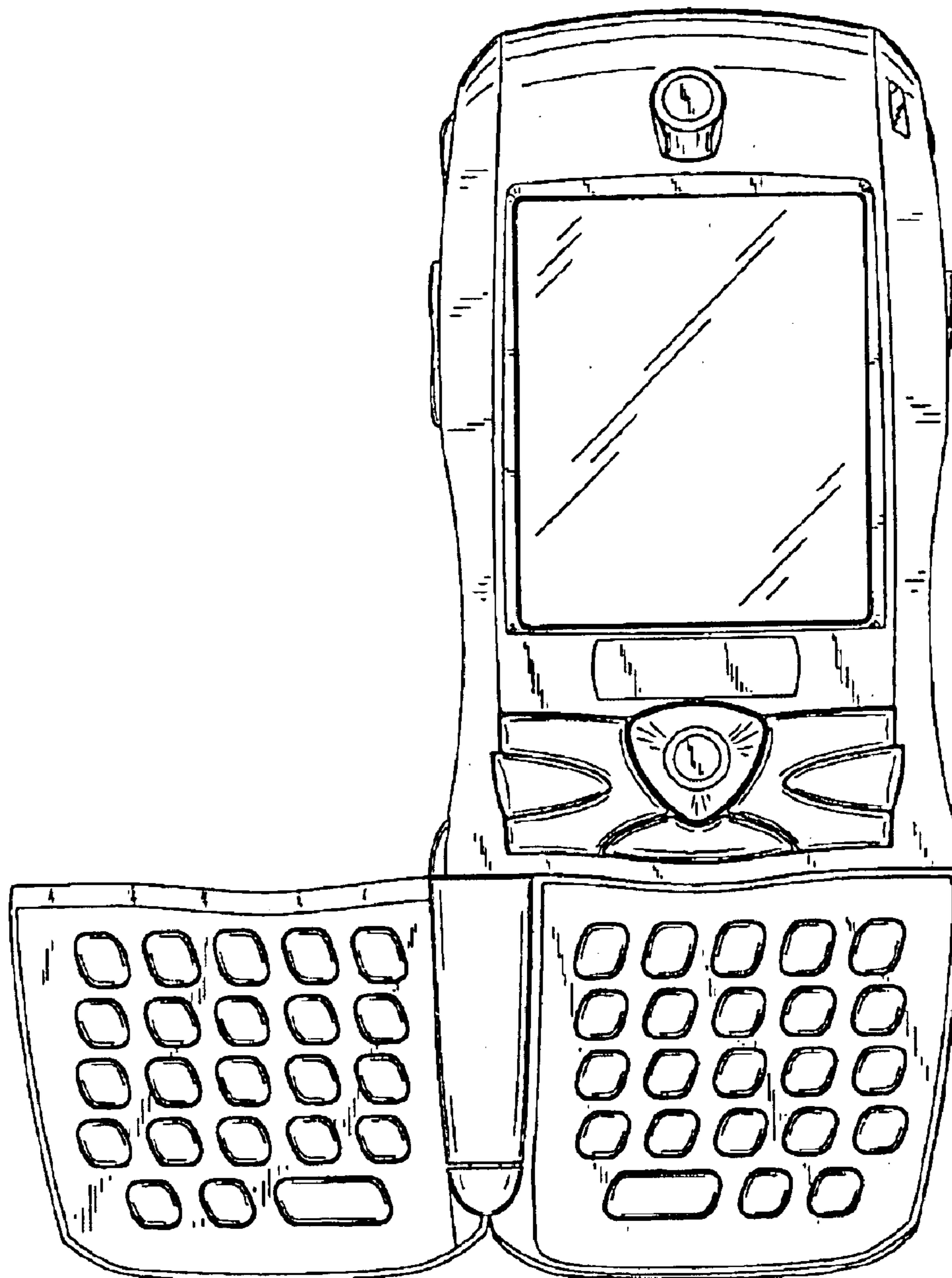


FIG. 9

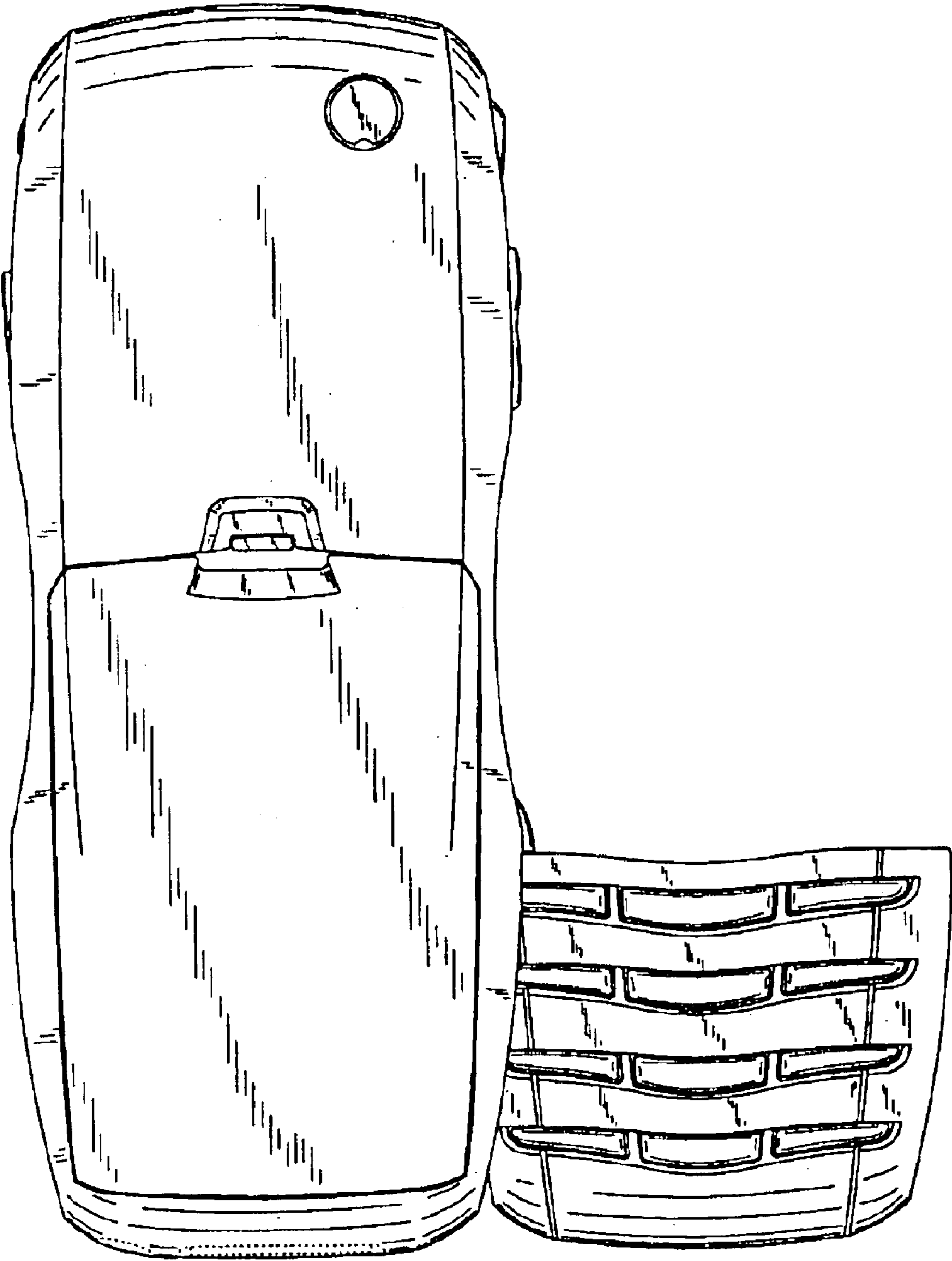


FIG. 10

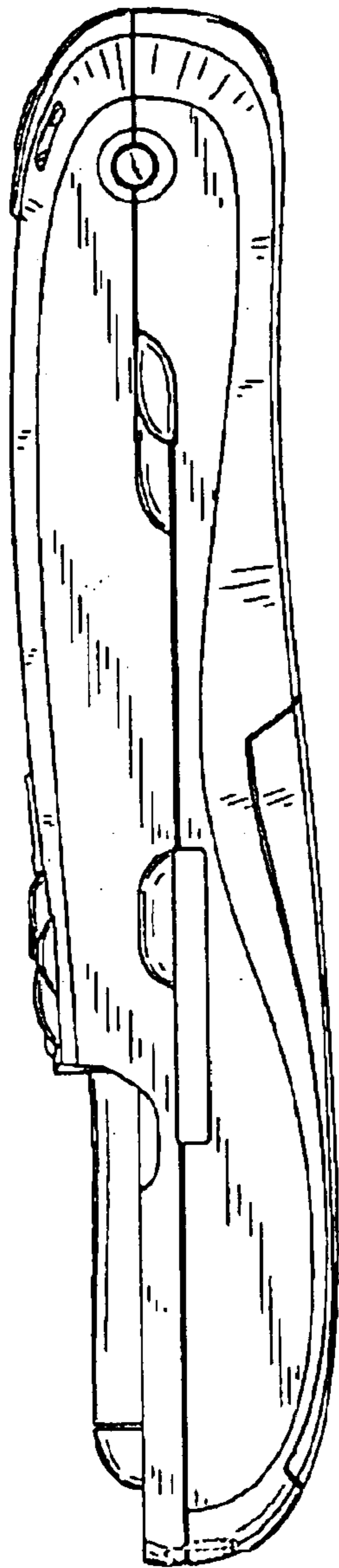


FIG. 11

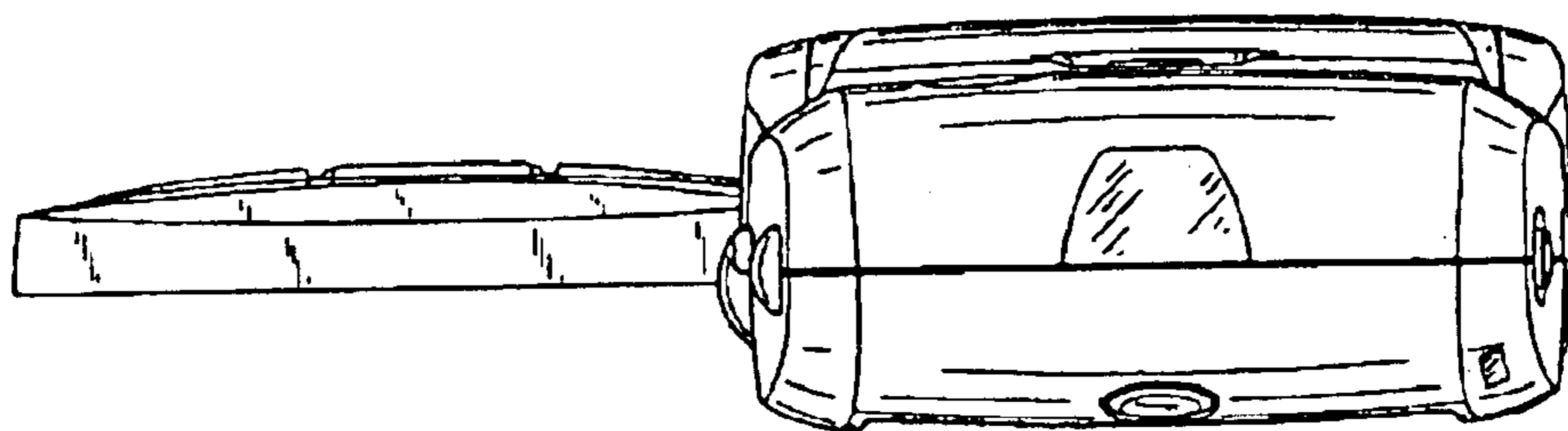


FIG. 12



FIG. 13

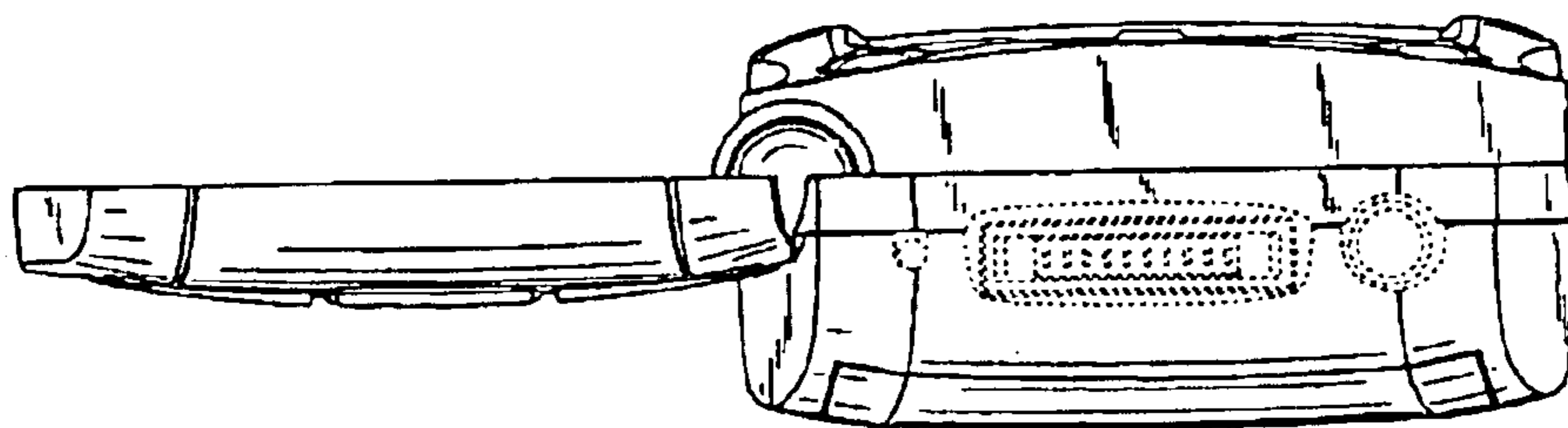


FIG. 14