



US00D511330S

(12) **United States Design Patent**
Suenaga

(10) **Patent No.: US D511,330 S**
(45) **Date of Patent: ** Nov. 8, 2005**

(54) **LIGHT EMITTING DIODE**

(75) **Inventor: Ryoma Suenaga, Tokushima-Ken (JP)**

(73) **Assignee: Nichia Corporation, Tokushima (JP)**

(**) **Term: 14 Years**

(21) **Appl. No.: 29/222,793**

(22) **Filed: Feb. 3, 2005**

4,791,648 A	*	12/1988	Vojak et al.	372/46
6,355,946 B1	*	3/2002	Ishinaga	257/98
6,393,698 B1	*	5/2002	Kuriyama et al.	29/883
6,483,623 B1	*	11/2002	Maruyama	398/182
6,495,861 B1	*	12/2002	Ishinaga	257/99
6,518,601 B2	*	2/2003	Wirth	257/98
D476,961 S	*	7/2003	Horiuchi et al.	D13/182
6,586,721 B2	*	7/2003	Estevez-Garcia	250/221
6,610,563 B1	*	8/2003	Waitl et al.	438/166
6,624,491 B2	*	9/2003	Waitl et al.	257/434
6,707,069 B2	*	3/2004	Song et al.	257/79
D491,899 S	*	6/2004	Yagi	D13/180

Related U.S. Application Data

(62) Division of application No. 29/193,793, filed on Nov. 14, 2003.

(30) **Foreign Application Priority Data**

Jul. 9, 2003	(JP)	2003-019861
Jul. 9, 2003	(JP)	2003-019862
Jul. 9, 2003	(JP)	2003-019863
Jul. 9, 2003	(JP)	2003-019865
Jul. 9, 2003	(JP)	2003-019866
Jul. 9, 2003	(JP)	2003-019867
Jul. 9, 2003	(JP)	2003-019868
Jul. 9, 2003	(JP)	2003-019869
Jul. 9, 2003	(JP)	2003-019870

(51) **LOC (8) Cl.** **13-03**

(52) **U.S. Cl.** **D13/180**

(58) **Field of Search** D13/180, 182;
257/76, 79, 88, 89, 434, 676, 678, 687,
690, 698, 787; 313/498, 499, 500; 361/760,
820; 362/226, 241, 249, 250, 307, 555,
800

(56) **References Cited**

U.S. PATENT DOCUMENTS

4,214,251 A * 7/1980 Schairer 257/99

* cited by examiner

Primary Examiner—Stella Reid
Assistant Examiner—Selina Sikder

(74) *Attorney, Agent, or Firm*—Osha Liang LLP

(57) **CLAIM**

The ornamental design for a light emitting diode, as shown and described.

DESCRIPTION

FIG. 1 shows a front view of the design according to a first embodiment.

FIG. 2 shows a rear view of the design thereof.

FIG. 3 shows a plan view of the design thereof.

FIG. 4 shows a left side view of the design thereof.

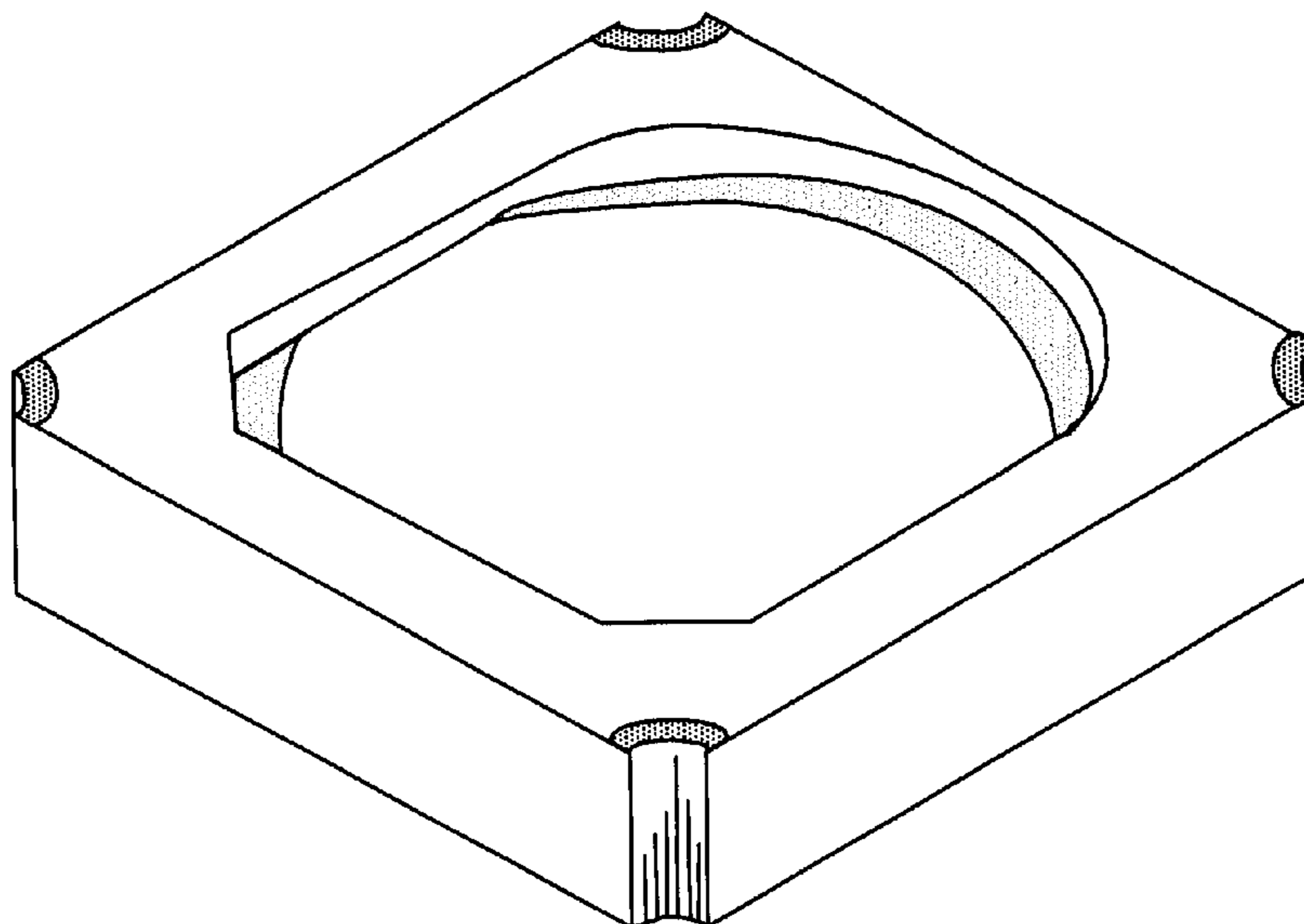
FIG. 5 shows a perspective view of the design thereof; and, FIG. 6 shows a perspective view of a second embodiment of FIG. 1.

The right side view is a mirror image of its corresponding left side view.

The bottom view is a mirror image of its corresponding plan view.

The different types of stippling show a contrast in materials.

1 Claim, 3 Drawing Sheets



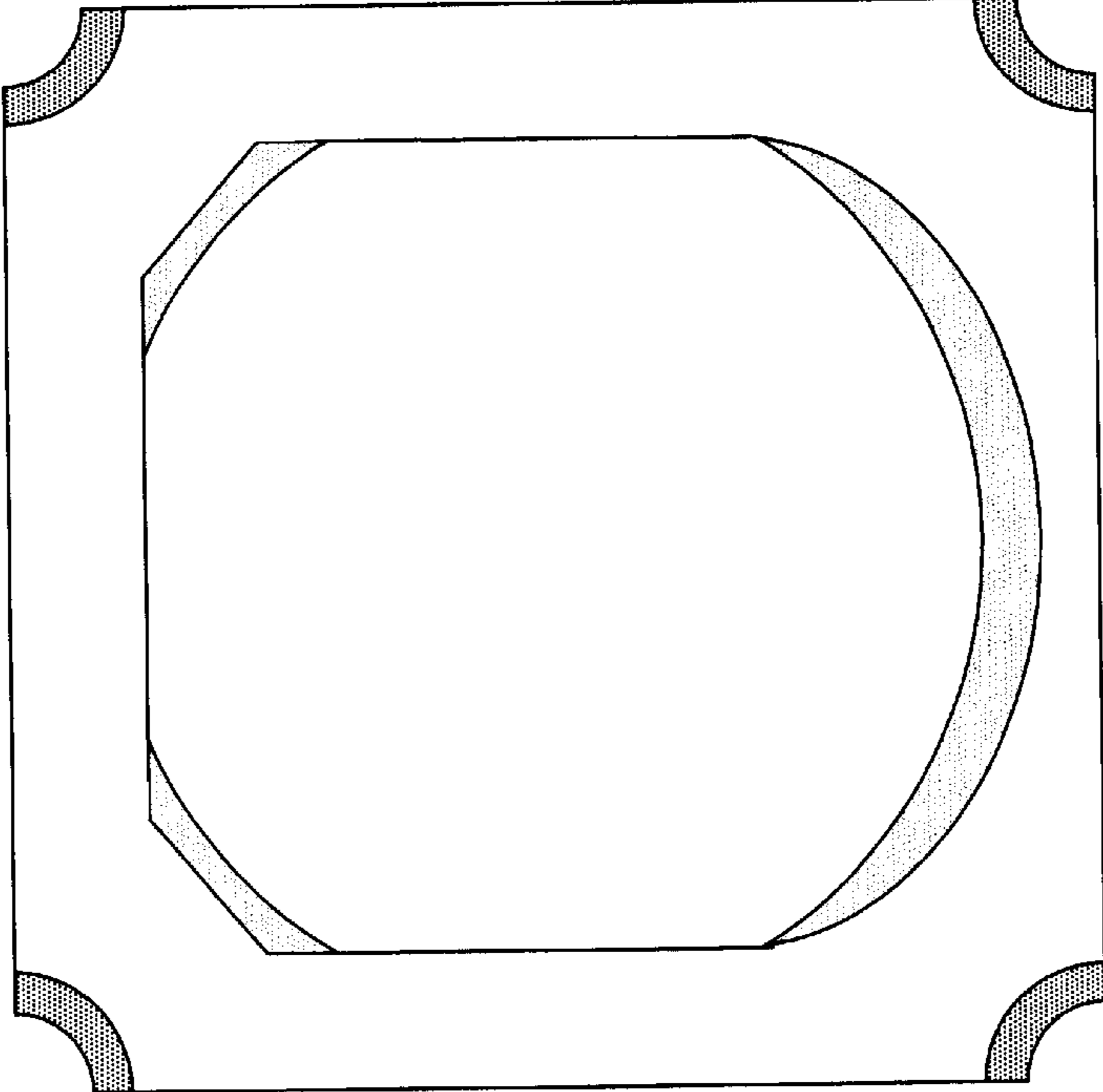


FIGURE 1

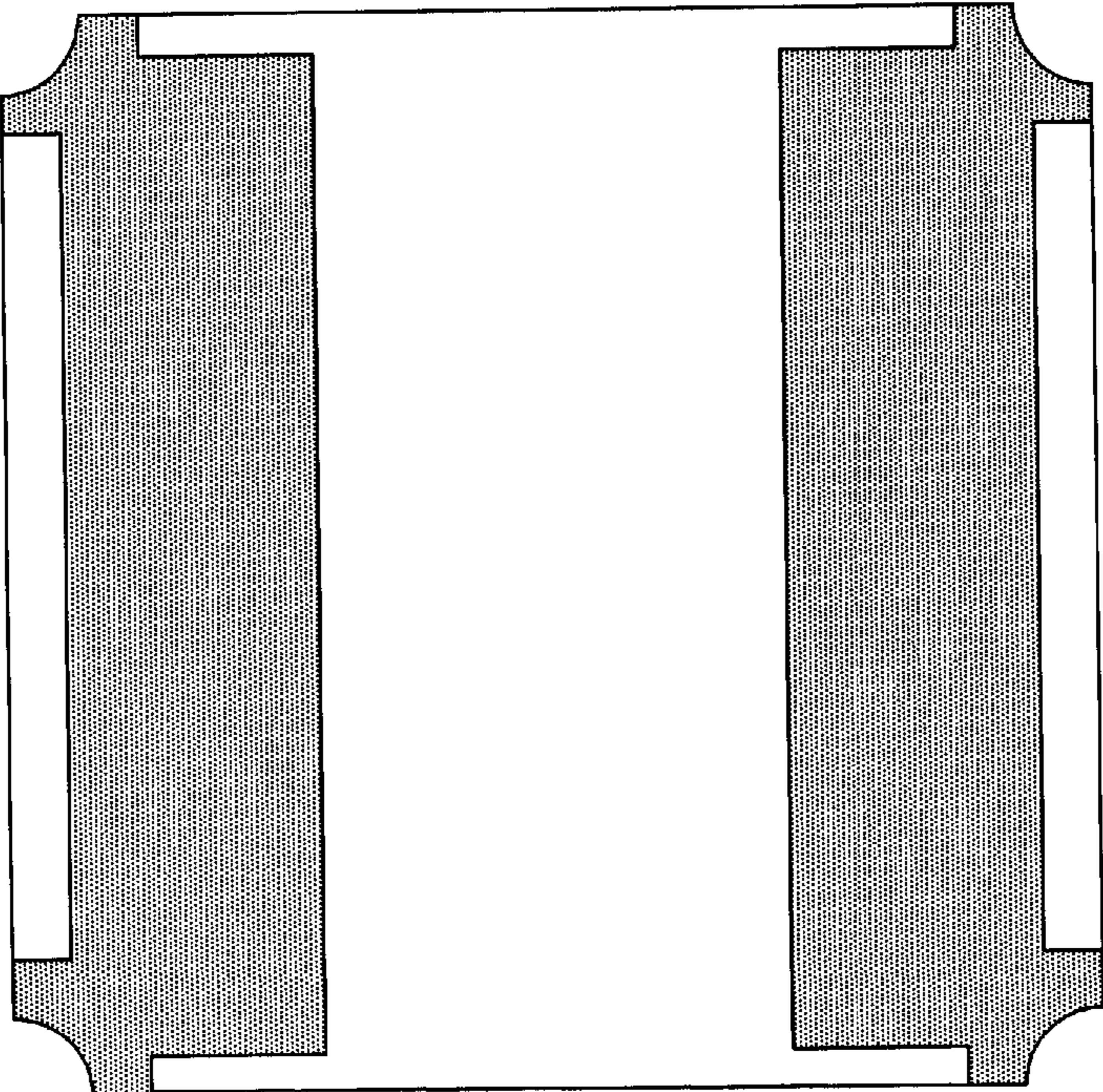


FIGURE 2

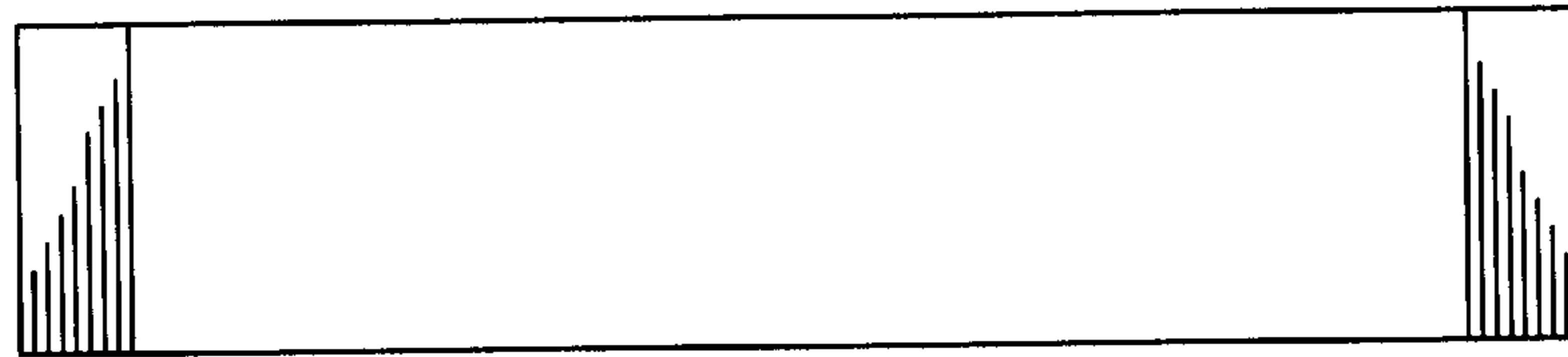


FIGURE 3

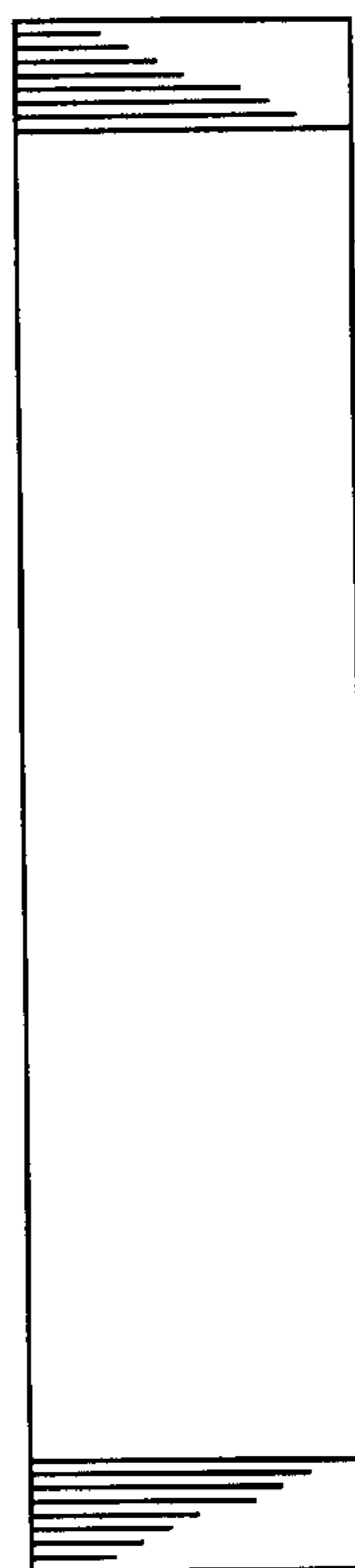


FIGURE 4

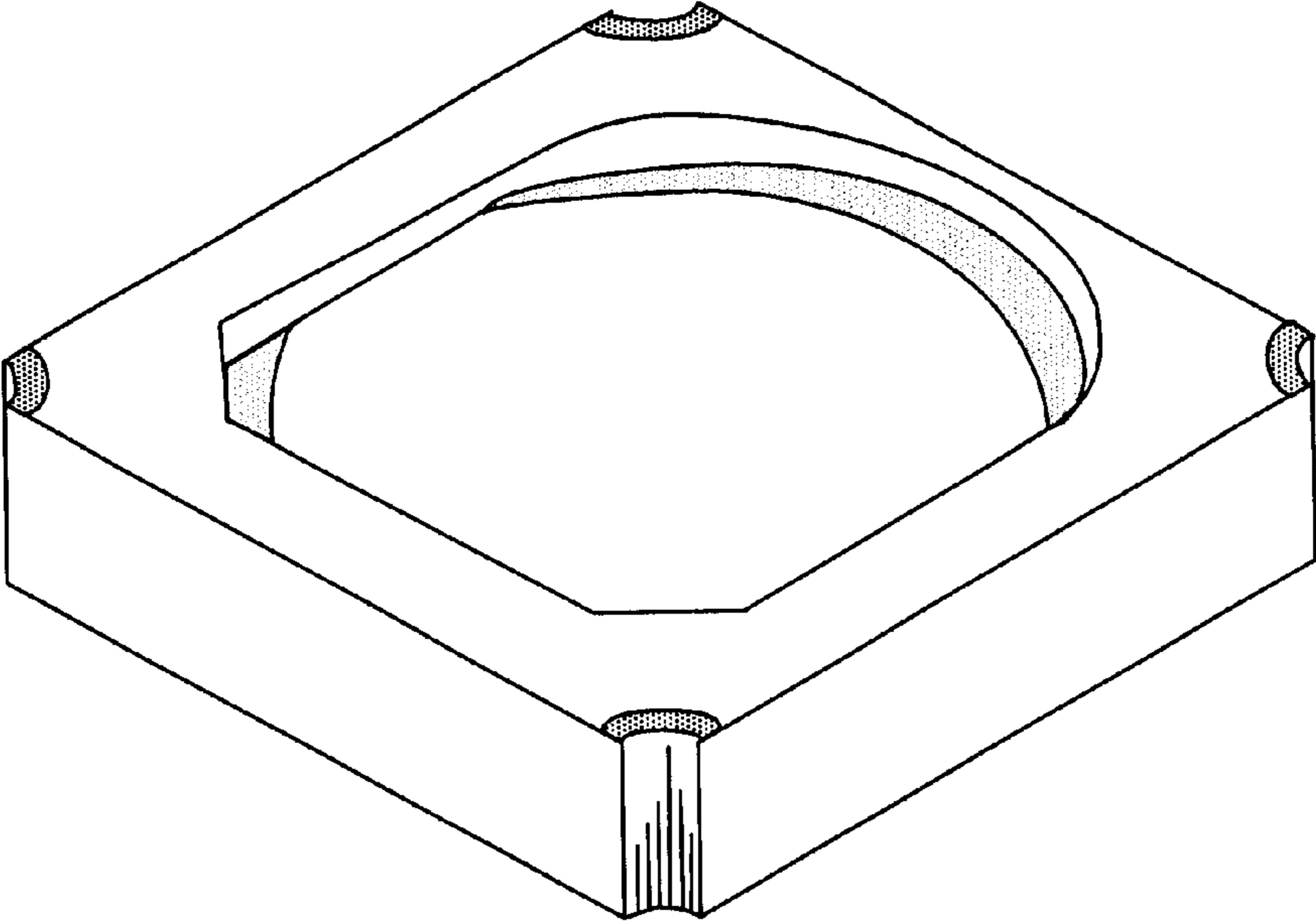


Figure 5

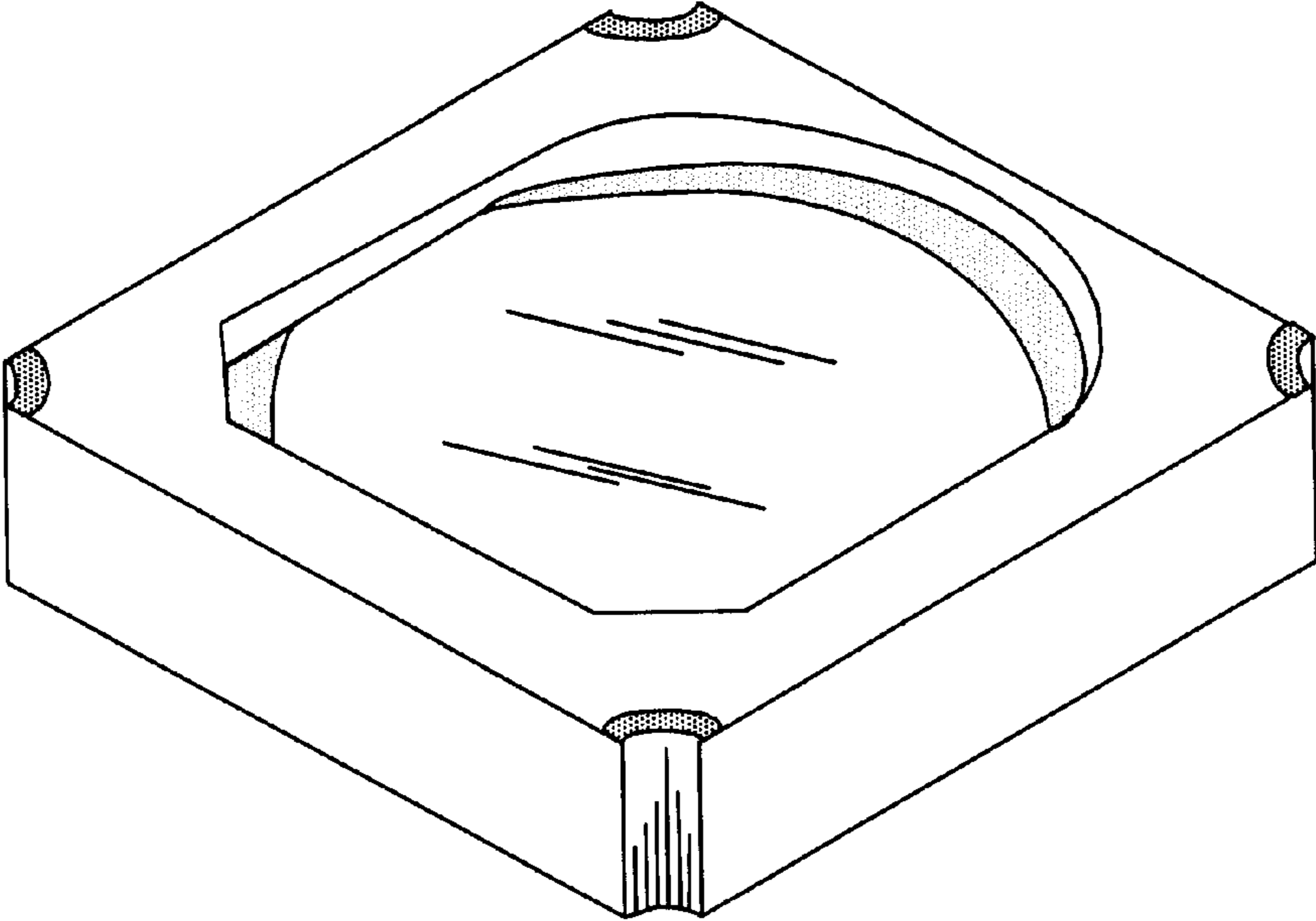


Figure 6