



US00D511329S

(12) **United States Design Patent**
Suenaga

(10) **Patent No.:** **US D511,329 S**
(45) **Date of Patent:** **** Nov. 8, 2005**

- (54) **LIGHT EMITTING DIODE**
- (75) Inventor: **Ryoma Suenaga, Tokushima-Ken (JP)**
- (73) Assignee: **Nichia Corporation, Tokushima (JP)**
- (**) Term: **14 Years**
- (21) Appl. No.: **29/222,730**
- (22) Filed: **Feb. 3, 2005**

4,791,648 A	*	12/1988	Vojak et al.	372/46
6,355,946 B1	*	3/2002	Ishinaga	257/98
6,393,698 B1	*	5/2002	Kuriyama et al.	29/883
6,483,623 B1	*	11/2002	Maruyama	398/182
6,495,861 B1	*	12/2002	Ishinaga	257/99
6,518,601 B2	*	2/2003	Wirth	257/98
D476,961 S	*	7/2003	Horiuchi et al.	D13/182
6,586,721 B2	*	7/2003	Estevez-Garcia	250/221
6,610,563 B1	*	8/2003	Waitl et al.	438/166
6,624,491 B2	*	9/2003	Waitl et al.	257/434
6,707,069 B2	*	3/2004	Song et al.	257/79
D491,899 S	*	6/2004	Yagi	D13/180

Related U.S. Application Data

- (62) Division of application No. 29/193,793, filed on Nov. 14, 2003, now Pat. No. Des. 505,661.

(30) **Foreign Application Priority Data**

Jul. 9, 2003	(JP)	2003-019861
Jul. 9, 2003	(JP)	2003-019862
Jul. 9, 2003	(JP)	2003-019863
Jul. 9, 2003	(JP)	2003-019865
Jul. 9, 2003	(JP)	2003-019866
Jul. 9, 2003	(JP)	2003-019867
Jul. 9, 2003	(JP)	2003-019868
Jul. 9, 2003	(JP)	2003-019869
Jul. 9, 2003	(JP)	2003-019870

- (51) **LOC (8) Cl.** **13-03**
- (52) **U.S. Cl.** **D13/180**
- (58) **Field of Search** D13/180, 182;
257/76, 79, 93-99, 88, 89, 434, 676, 678,
687, 690, 698, 787; 313/498, 499, 500;
361/760, 820; 362/226, 241, 249, 250,
307, 555, 800

(56) **References Cited**

U.S. PATENT DOCUMENTS

- 4,214,251 A * 7/1980 Schairer 257/99

* cited by examiner

Primary Examiner—Stella Reid
Assistant Examiner—Selina Sikder
 (74) *Attorney, Agent, or Firm*—Osha Liang LLP

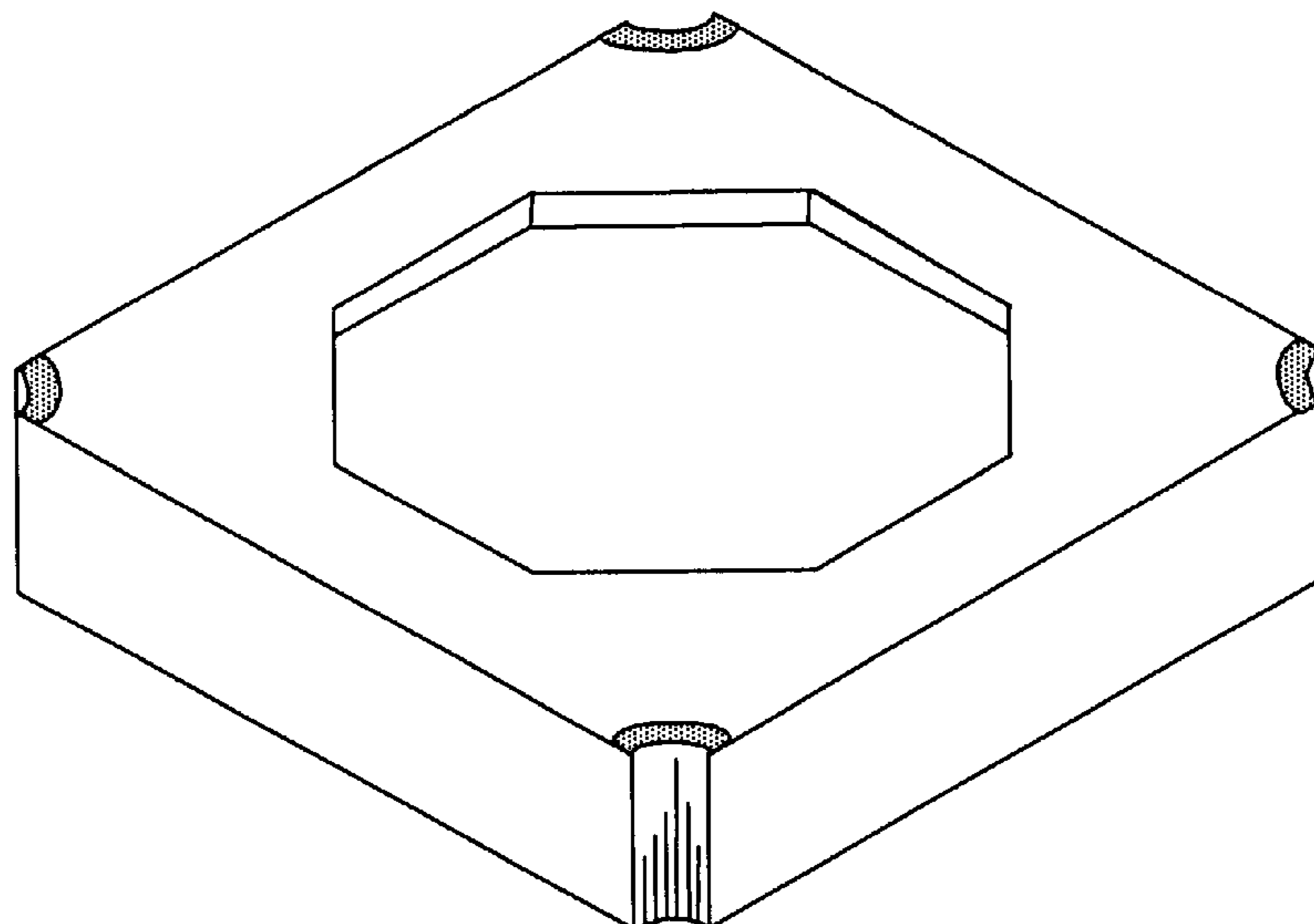
(57) **CLAIM**

The ornamental design for a light emitting diode, as shown and described.

DESCRIPTION

FIG. 1 shows a front view of the design according to a first embodiment.
 FIG. 2 shows a rear view of the design thereof.
 FIG. 3 shows a plan view of the design thereof.
 FIG. 4 shows a right side view of the design thereof.
 FIG. 5 shows a perspective view of the design thereof; and,
 FIG. 6 shows a perspective view of a second embodiment of FIG. 1.
 The left side view is a mirror image of its corresponding right side view.
 The bottom view is a mirror image of its corresponding plan view.
 The different types of stippling show a contrast in materials.

1 Claim, 3 Drawing Sheets



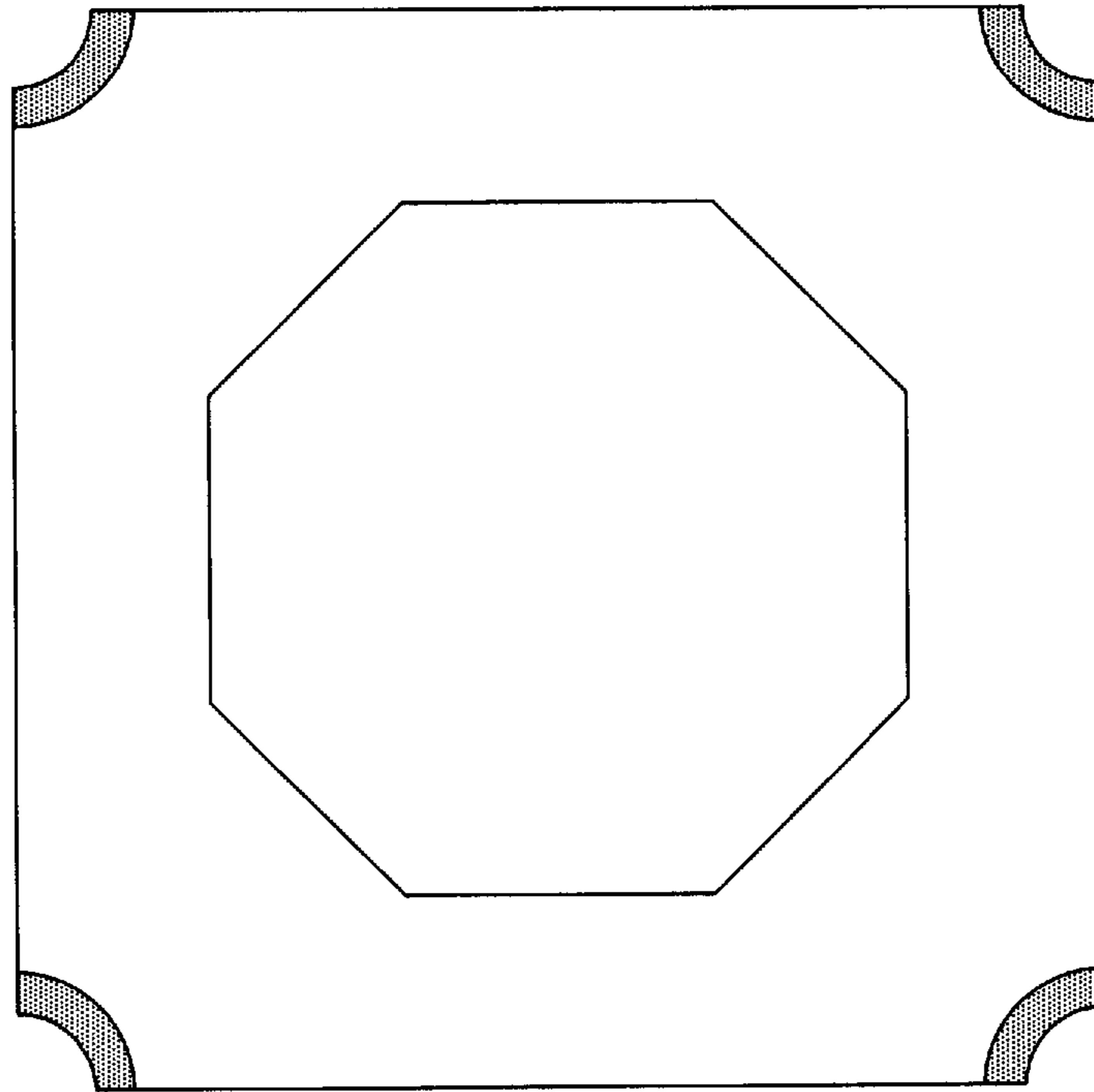


FIGURE 1

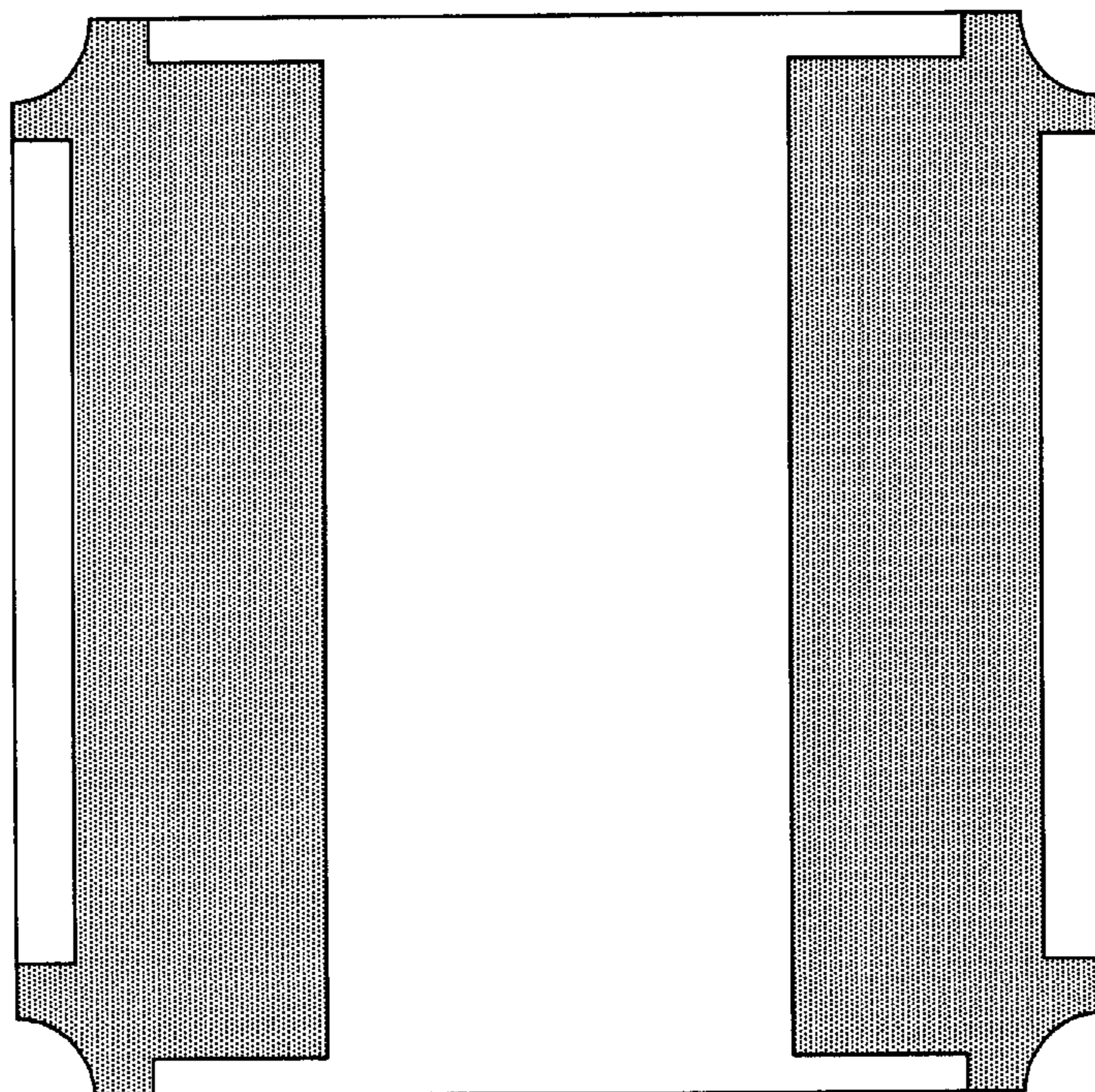


FIGURE 2

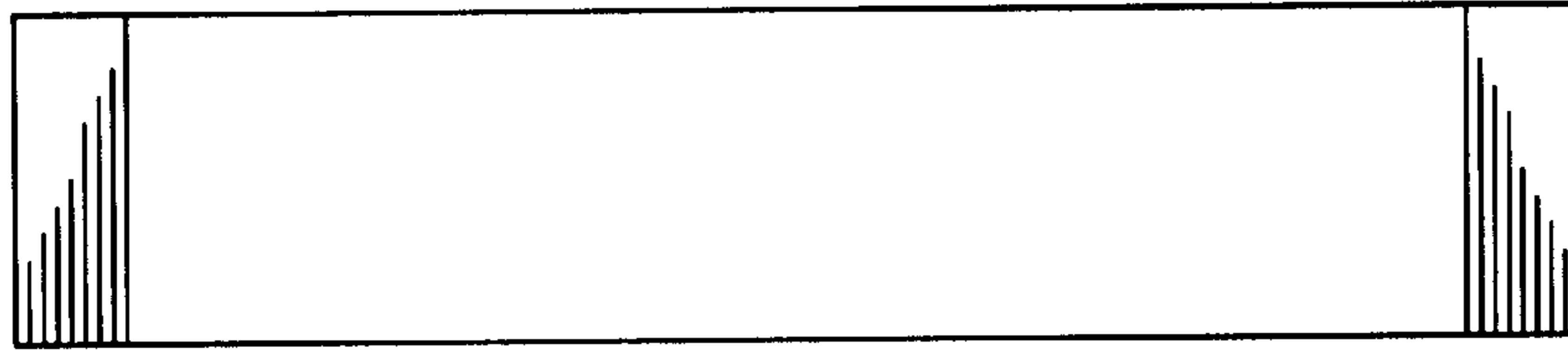


FIGURE 3

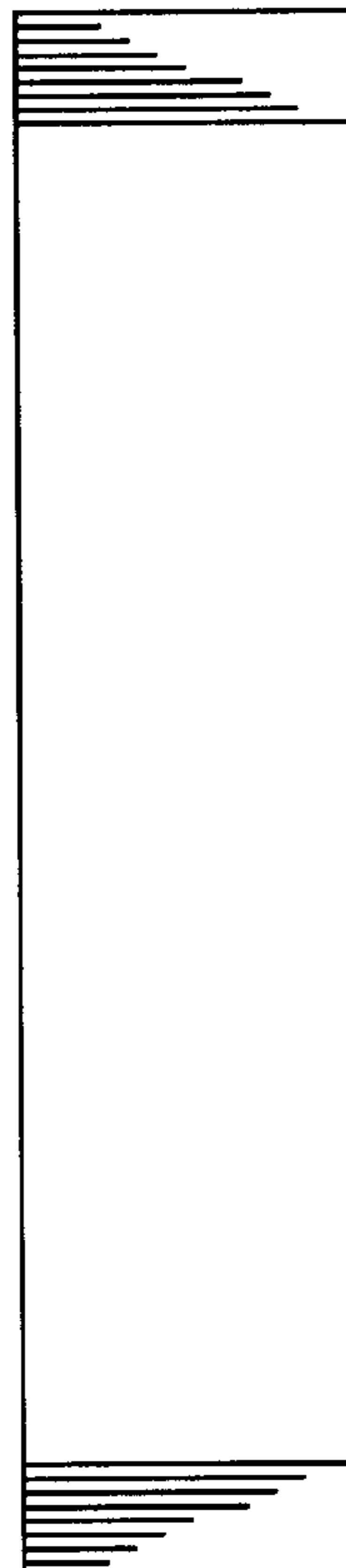


FIGURE 4

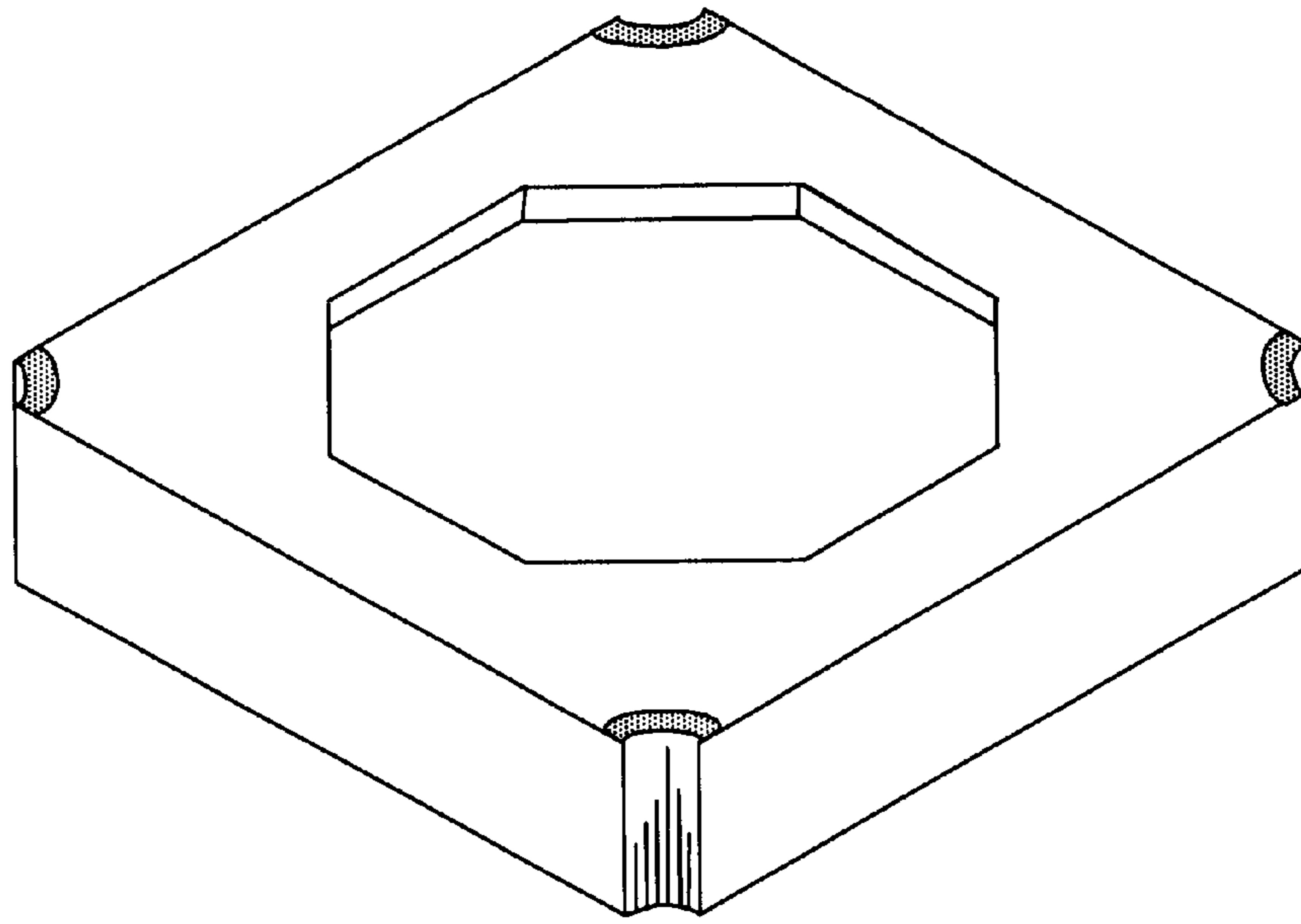


Figure 5

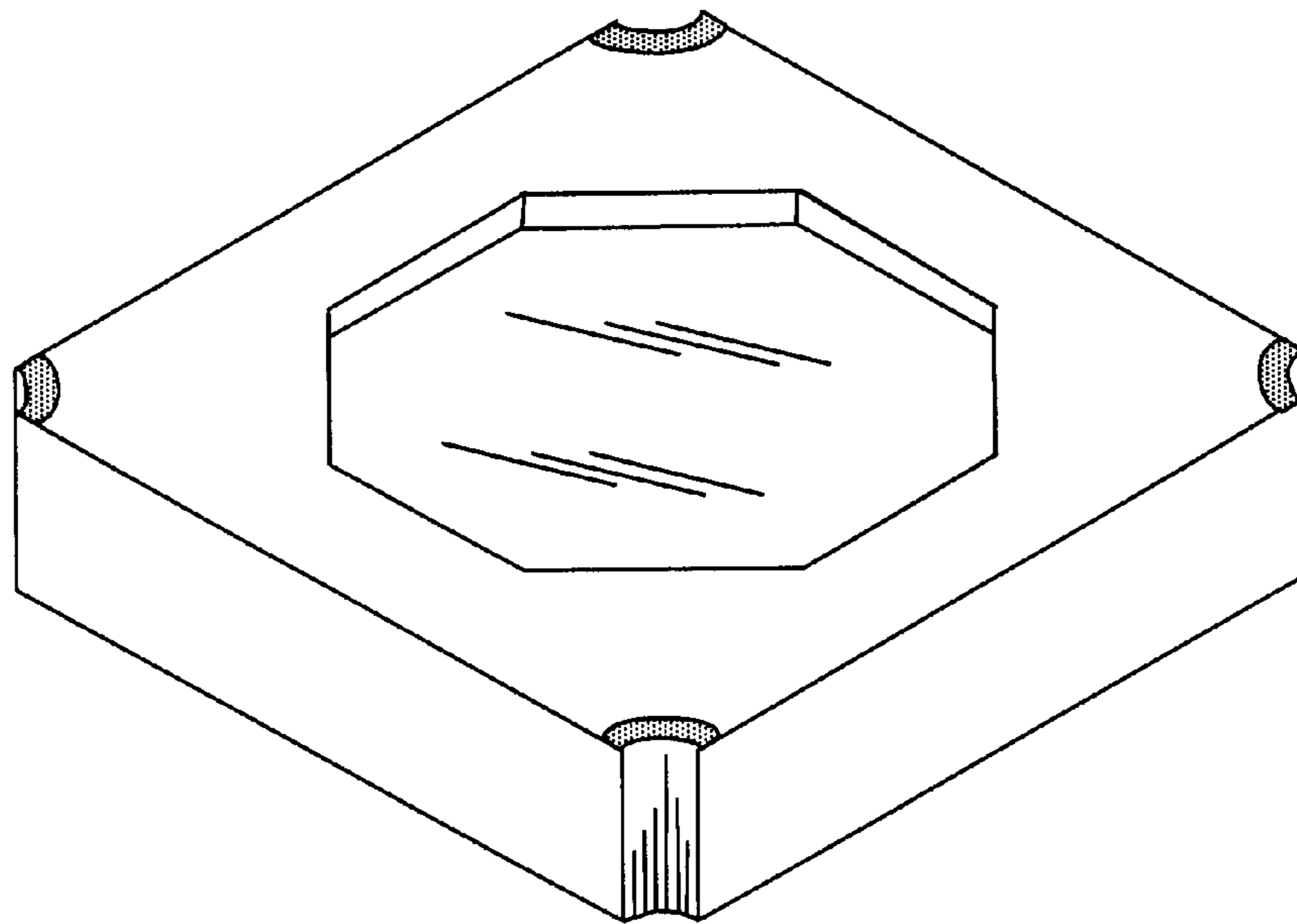


Figure 6