



US00D511327S

(12) **United States Design Patent**
Ma et al.

(10) **Patent No.:** **US D511,327 S**
(45) **Date of Patent:** **** Nov. 8, 2005**

(54) **HEAT SINK**

(75) Inventors: **Mou-Ming Ma**, Hsin Chan (TW);
Shiang-Chich Tseng, Taipei (TW);
Tung-Shan Lee, Lu Chou (TW);
Yi-Song Liu, Taipei (TW); **Chia-Min Chou**, Sanchung (TW)

(73) Assignee: **Giga-Byte Technology Co., Ltd.**,
Taipei Hsien (TW)

(**) Term: **14 Years**

(21) Appl. No.: **29/201,957**

(22) Filed: **Mar. 24, 2004**

(51) **LOC (8) Cl.** **13-03**

(52) **U.S. Cl.** **D13/179**

(58) **Field of Search** D13/179; 165/80.3,
165/121, 122, 146, 104.33, 180, 185; 174/16.3;
257/706, 707, 718, 722; 361/271, 274.3,
695, 697, 700, 702, 704, 709, 710, 711,
514, 719

(56) **References Cited**

U.S. PATENT DOCUMENTS

5,412,535 A * 5/1995 Chao et al. 361/700

6,061,235 A * 5/2000 Cromwell et al. 361/690
6,404,632 B1 * 6/2002 Forkas 361/703
6,450,250 B2 * 9/2002 Guerrero 165/104.33
6,785,140 B2 * 8/2004 Artman et al. 361/709
2004/0042177 A1 * 3/2004 Geva et al. 361/705

* cited by examiner

Primary Examiner—Stella Reid
Assistant Examiner—Selina Sikder

(74) *Attorney, Agent, or Firm*—Troxell Law Office, PLLC

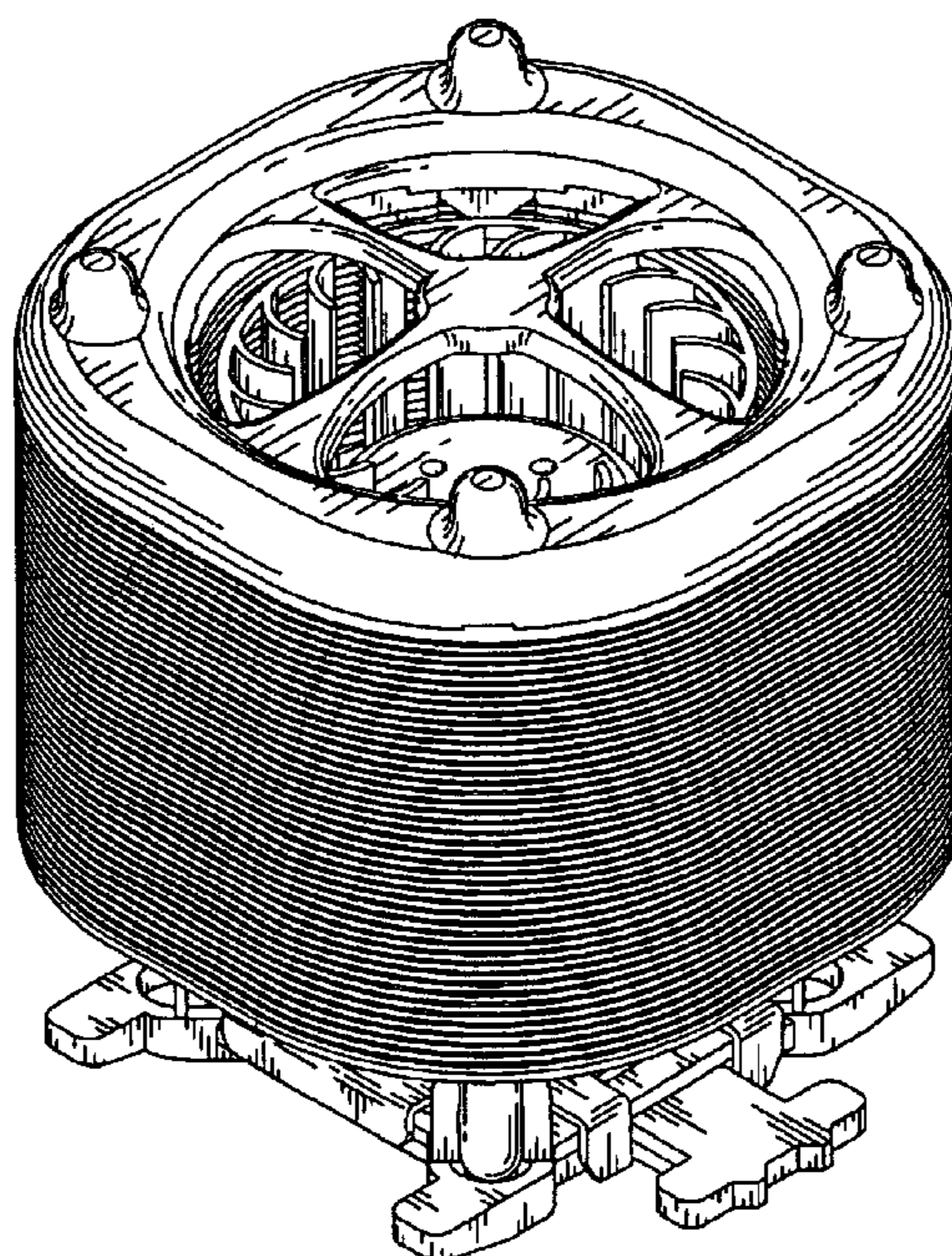
(57) **CLAIM**

The ornamental design for a “heat sink,” as shown and described.

DESCRIPTION

FIG. 1 is a perspective view of a “heat sink” showing my new design;
FIG. 2 is a right side view thereof;
FIG. 3 is a top view thereof;
FIG. 4 is a front side view thereof;
FIG. 5 is a bottom view thereof;
FIG. 6 is a left side view thereof; and,
FIG. 7 is a rear view thereof.

1 Claim, 4 Drawing Sheets



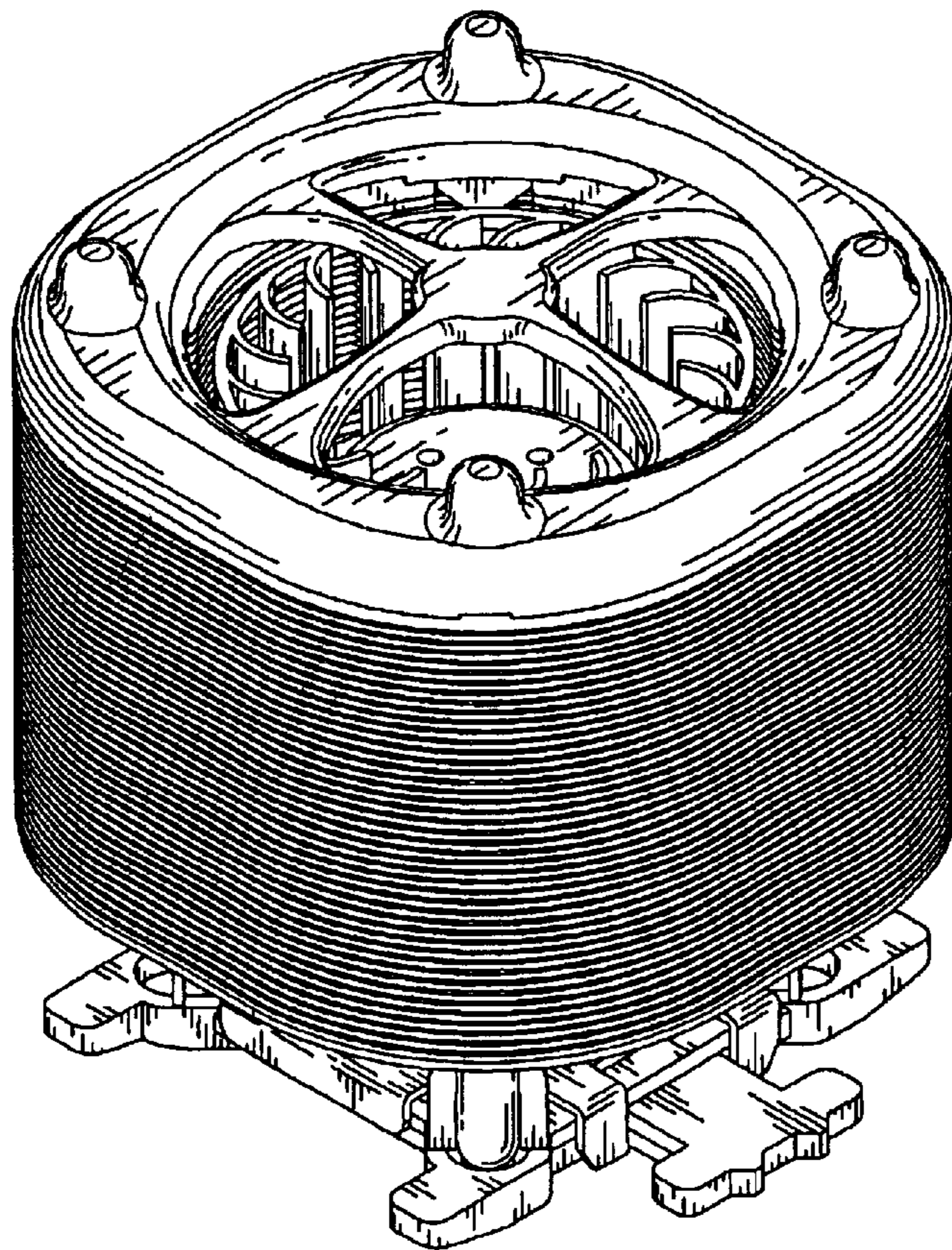


FIG. 1

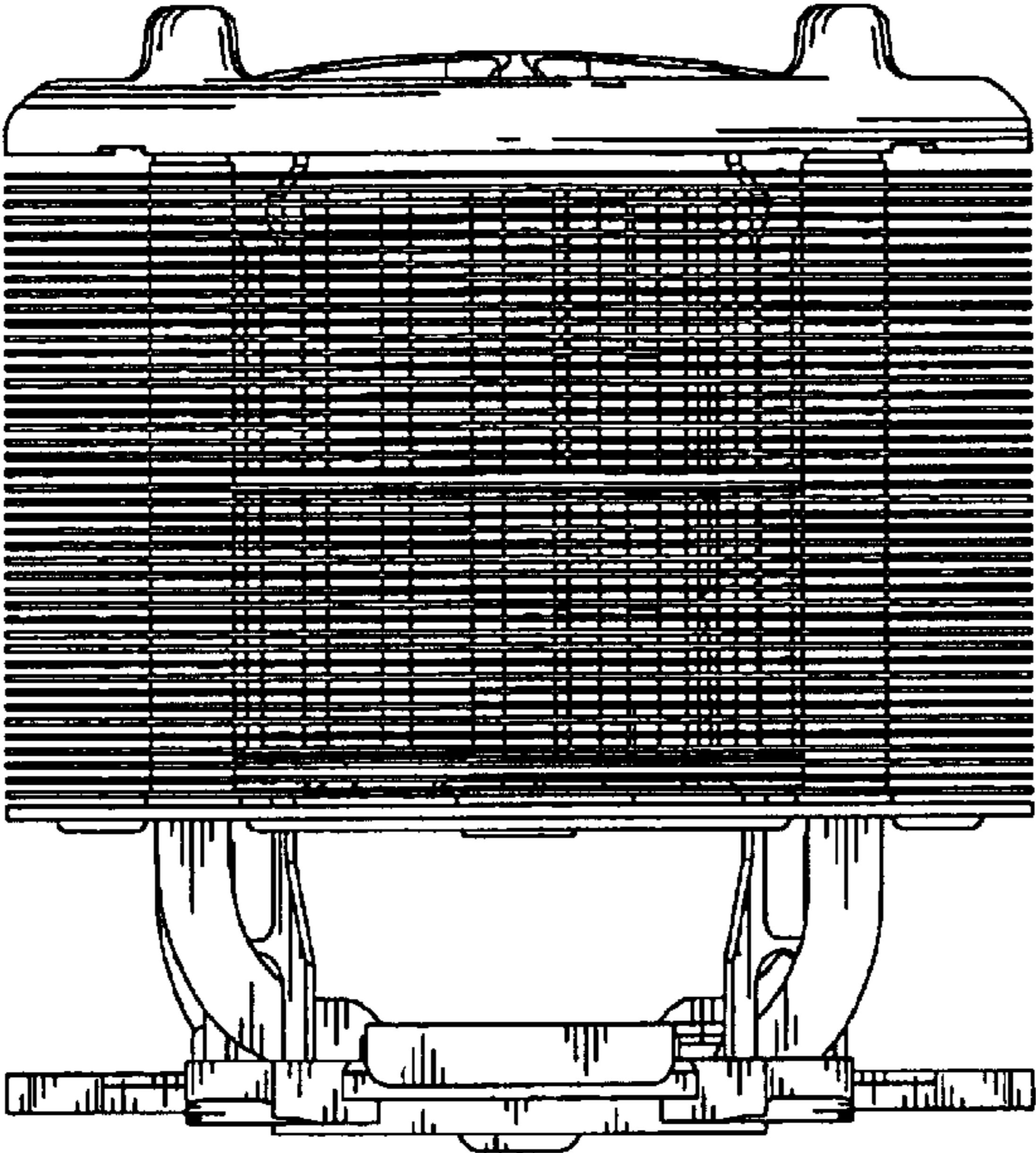


FIG. 2

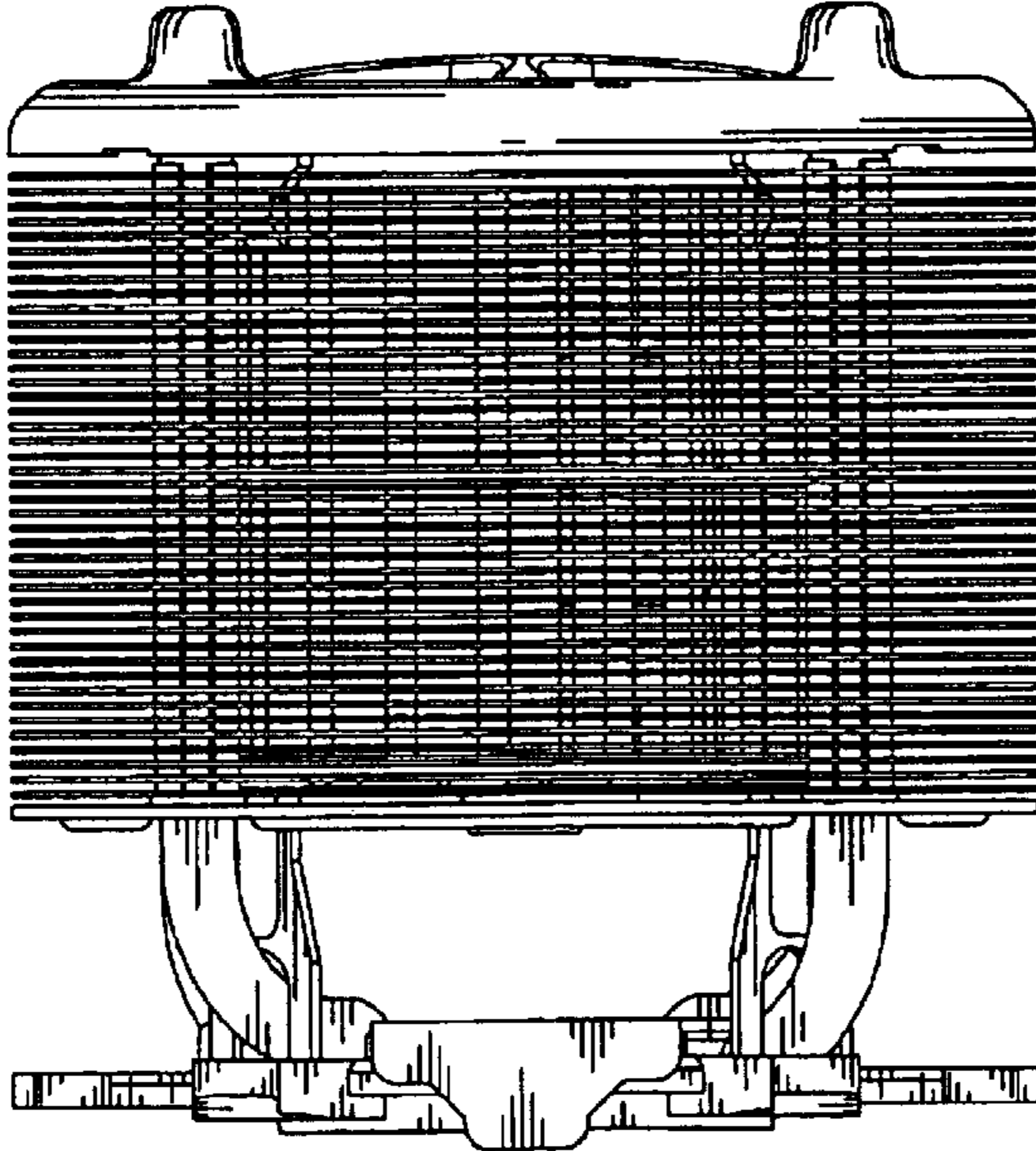


FIG. 3

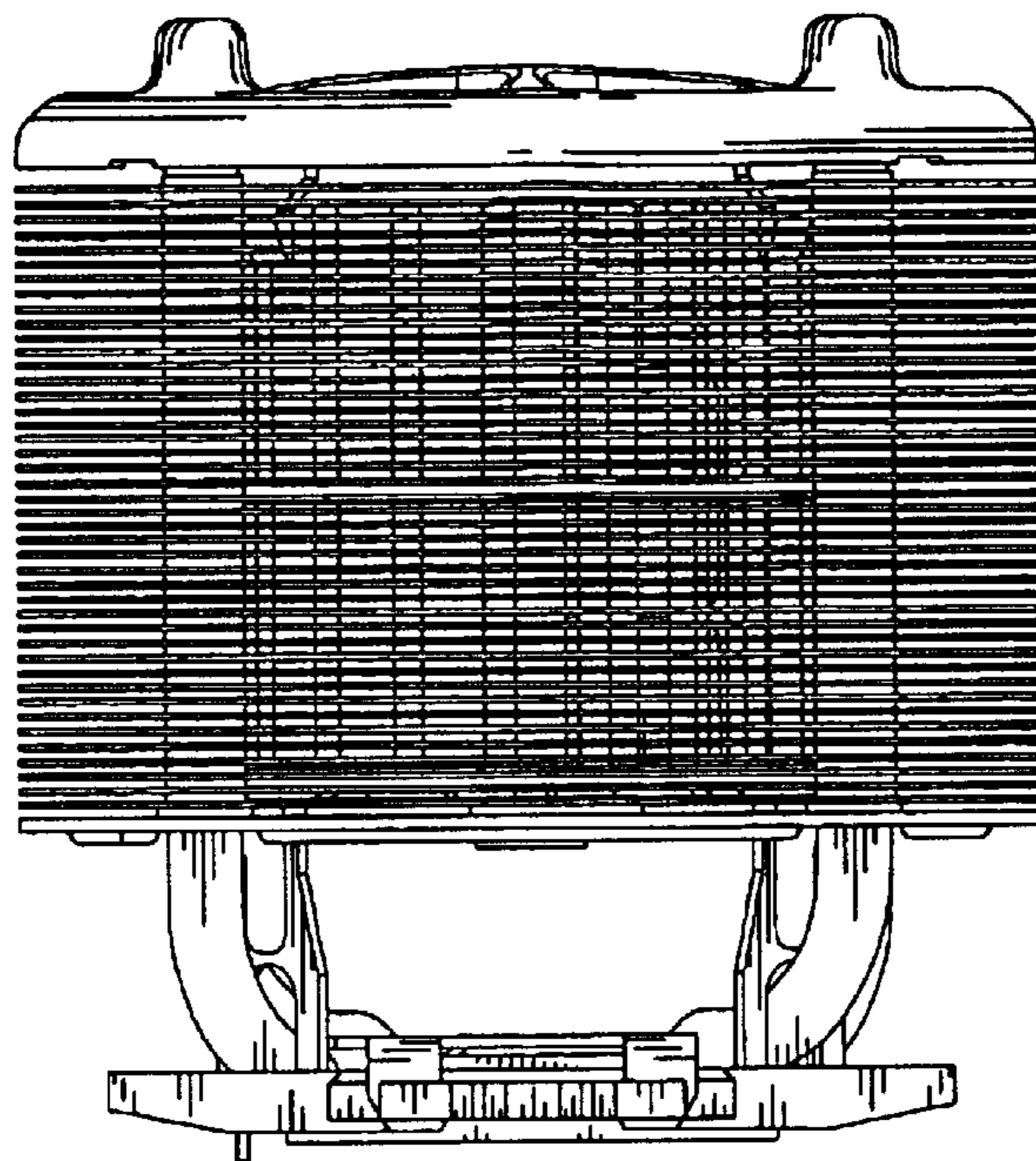


FIG. 4

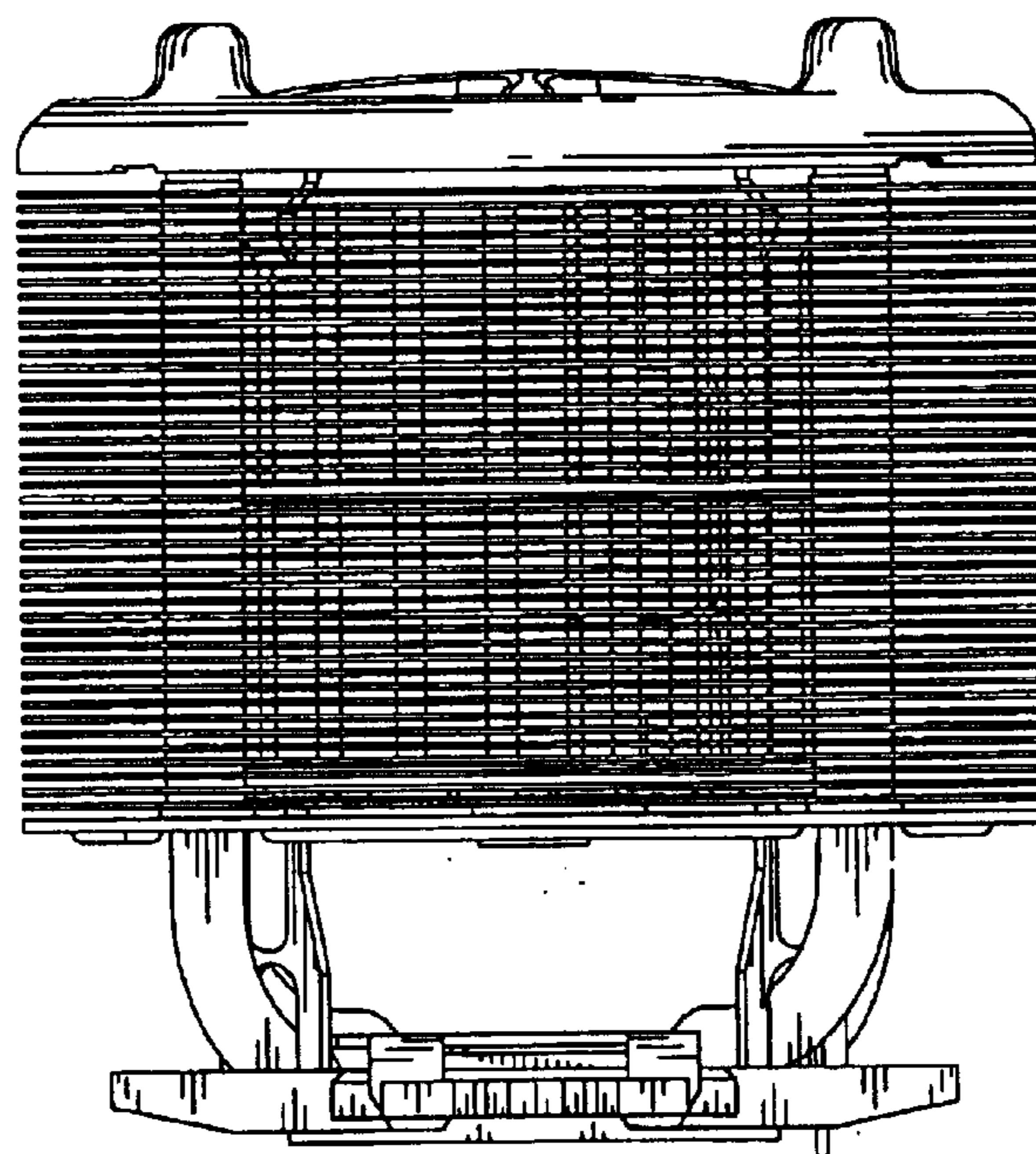


FIG. 5

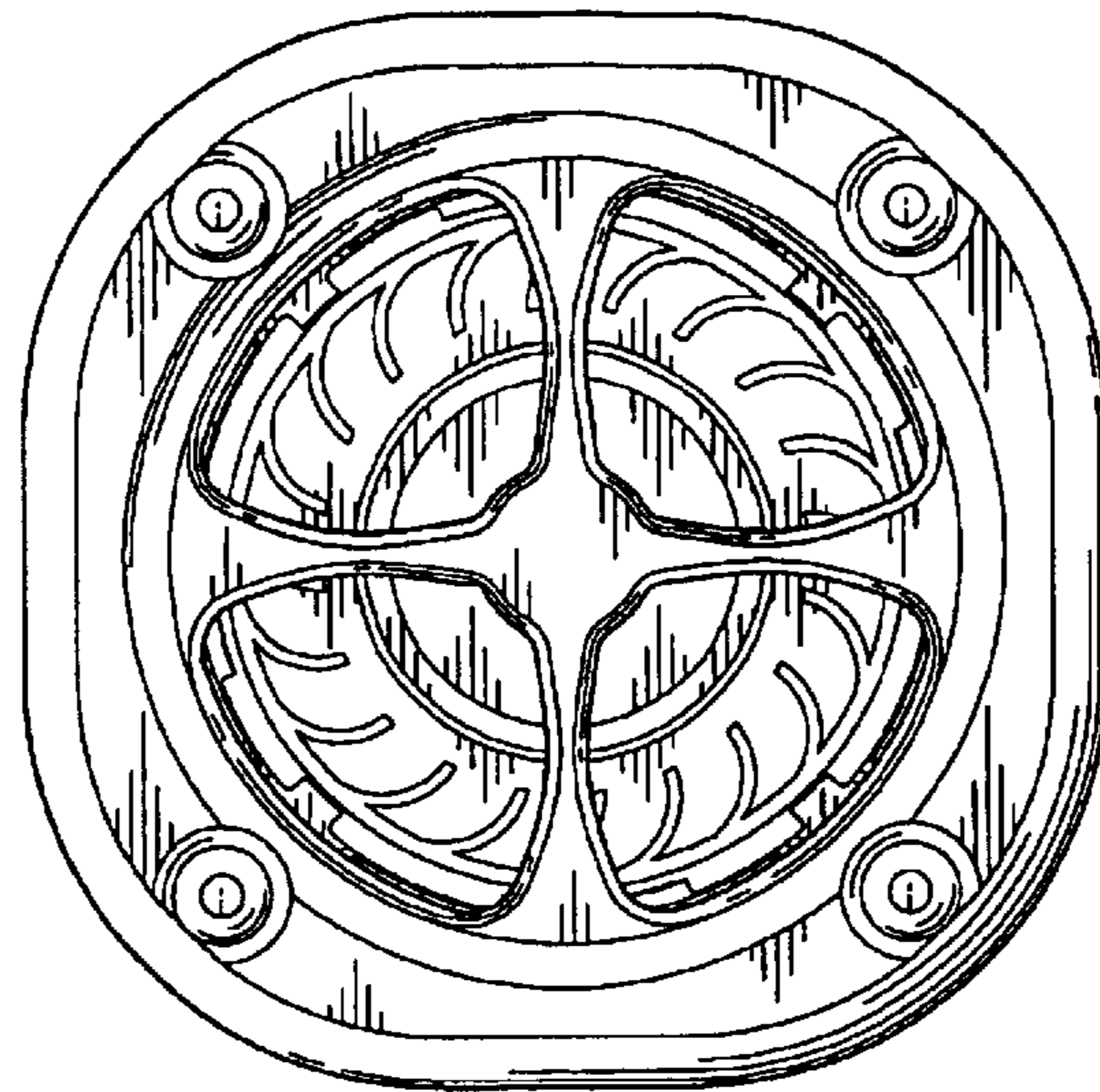


FIG. 6

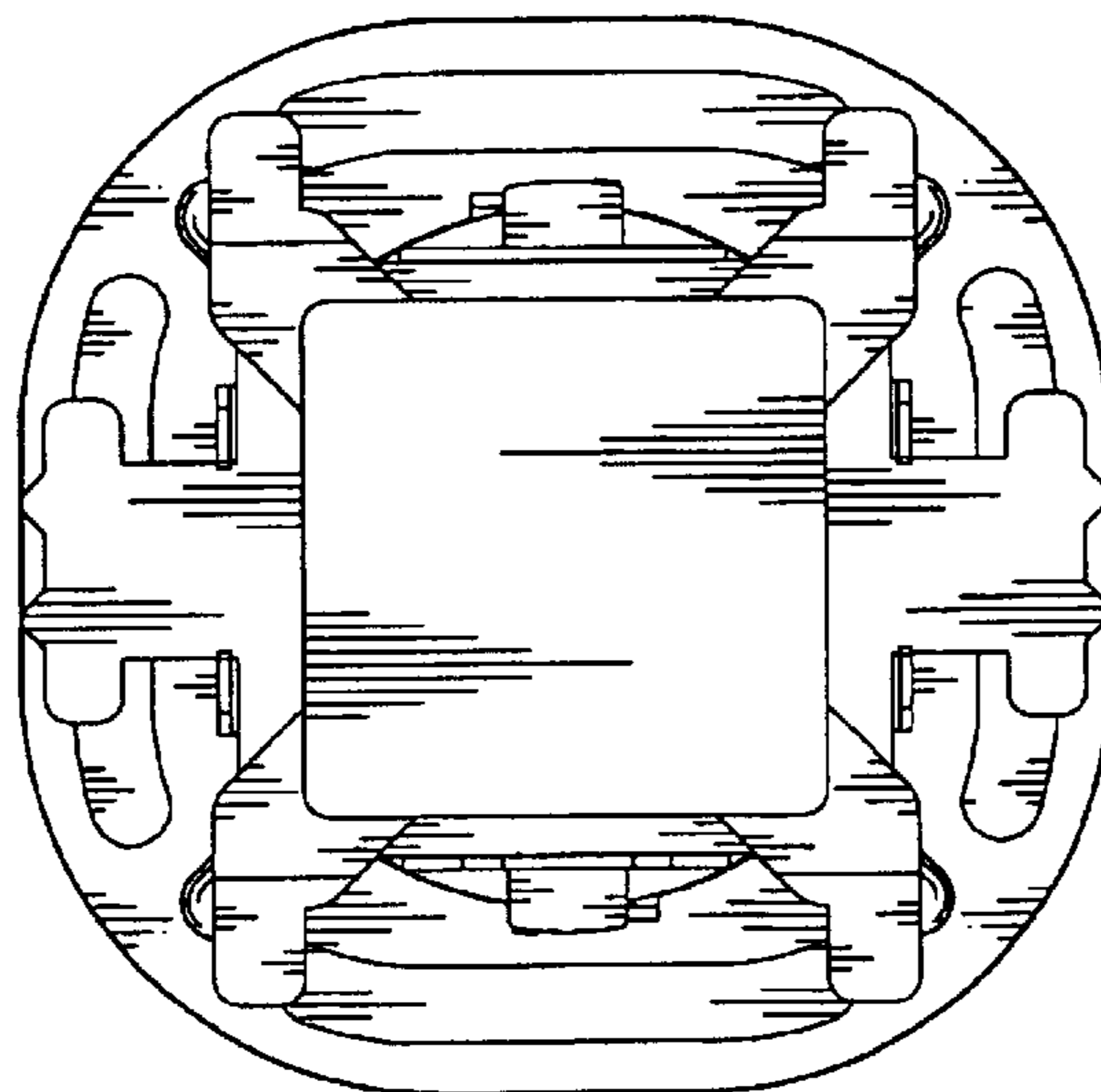


FIG. 7