



US00D511325S

(12) **United States Design Patent**  
**Itano et al.**

(10) **Patent No.:** **US D511,325 S**  
(45) **Date of Patent:** **\*\* Nov. 8, 2005**

(54) **BACK END PORTION OF AN ELECTRICAL CONNECTOR JACK**

(75) Inventors: **Michael M. Itano**, Seattle, WA (US);  
**John M. Redfield**, Brier, WA (US)

(73) Assignee: **Leviton Manufacturing Co., Inc.**,  
Little Neck, NY (US)

(\*\*) Term: **14 Years**

(21) Appl. No.: **29/190,055**

(22) Filed: **Sep. 15, 2003**

(51) **LOC (8) Cl.** ..... **13-03**

(52) **U.S. Cl.** ..... **D13/147; D14/256**

(58) **Field of Search** ..... **D13/147, 146,**  
**D13/133, 154; 439/676, 76.1, 620; D14/256**

(56) **References Cited**

**U.S. PATENT DOCUMENTS**

6,079,996	A	*	6/2000	Arnett	.....	439/188
6,135,821	A	*	10/2000	Liu	.....	439/676
6,193,526	B1	*	2/2001	Milner et al.	.....	439/76.1
6,196,880	B1		6/2001	Goodrich et al.		
D444,453	S	*	7/2001	Stroede et al.	.....	D13/154
6,290,506	B1		9/2001	Milner		
6,305,950	B1		10/2001	Doorhy		
6,312,290	B1		11/2001	Beloposky		

6,334,792	B1	*	1/2002	Schmidt et al.	.....	439/676
6,530,810	B2	*	3/2003	Goodrich et al.	.....	439/676
2002/0081908	A1	*	6/2002	Ahn et al.	.....	439/676
2003/0157842	A1	*	8/2003	Arnett et al.	.....	439/676

\* cited by examiner

*Primary Examiner*—Alan P. Douglas  
*Assistant Examiner*—Cynthia M. Chin

(74) *Attorney, Agent, or Firm*—George C. Rondeau, Jr.;  
Davis Wright Tremaine LLP

(57) **CLAIM**

The ornamental design for a back end portion of an electrical connector jack, as shown and described.

**DESCRIPTION**

FIG. 1 is a first perspective view of a back end portion of an electrical connector jack showing our new design.

FIG. 2 is a second perspective view thereof.

FIG. 3 is a front elevational view thereof.

FIG. 4 is a rear elevational view thereof.

FIG. 5 is a left side elevational view thereof.

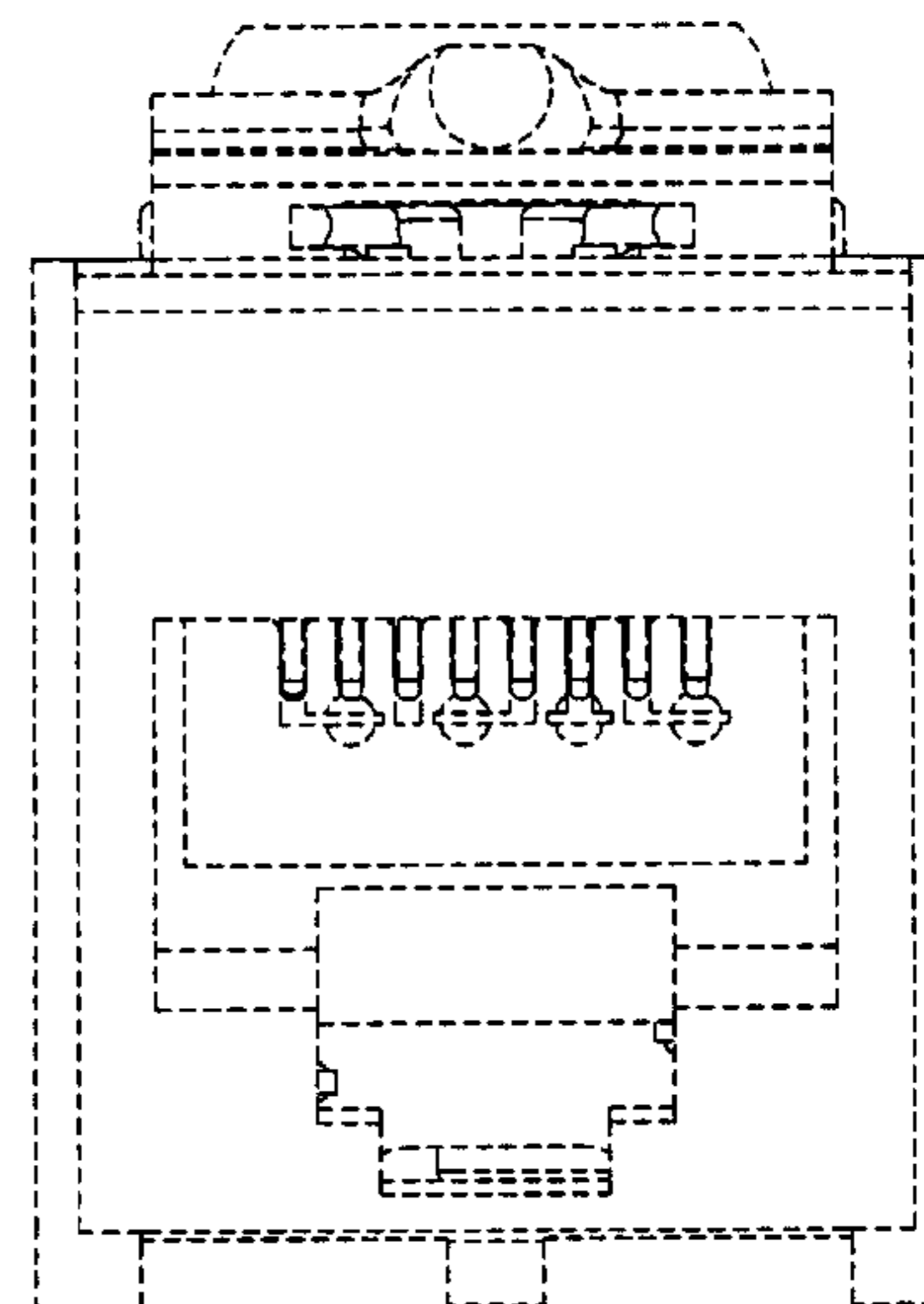
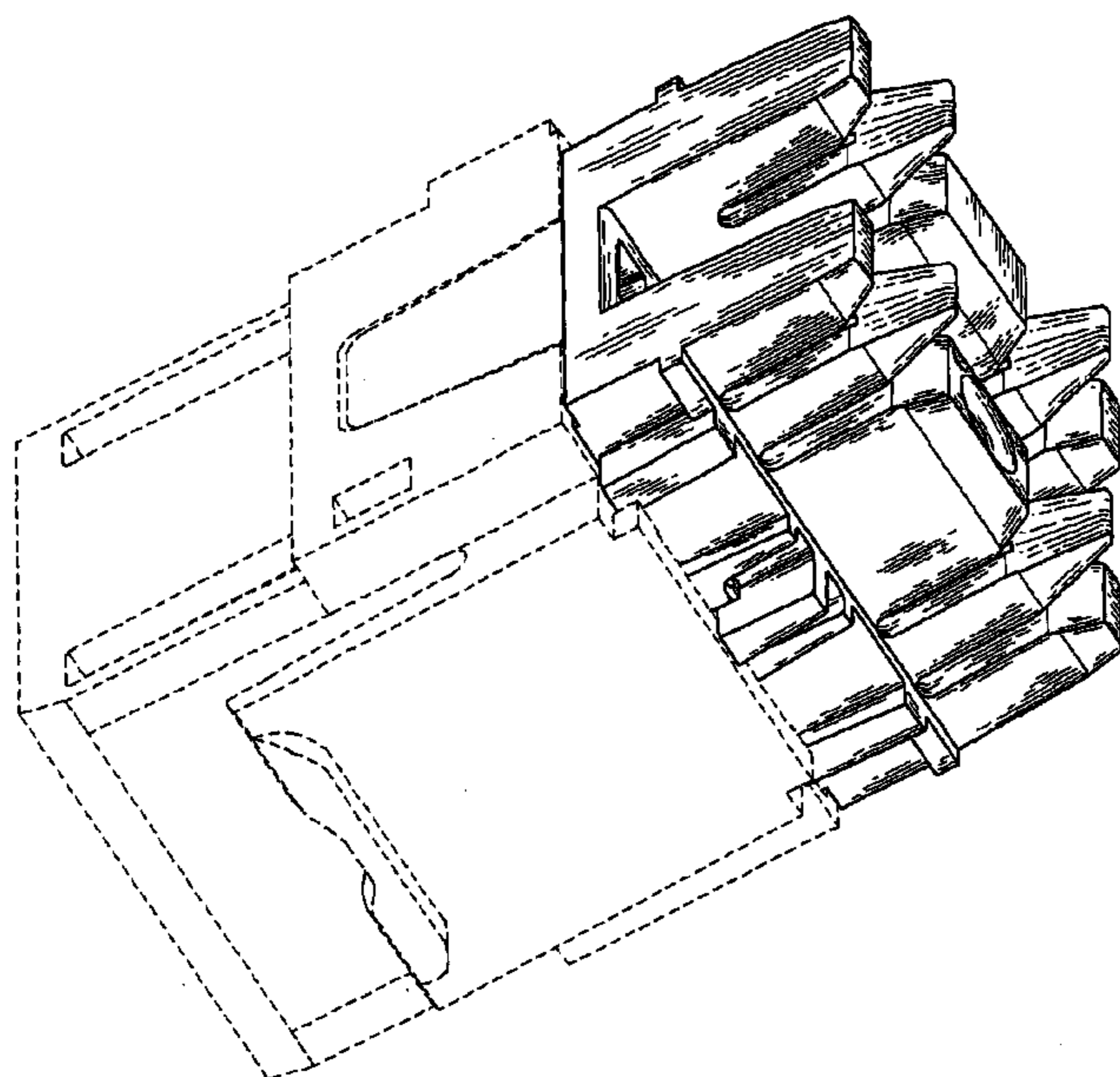
FIG. 6 is a right side elevational view thereof.

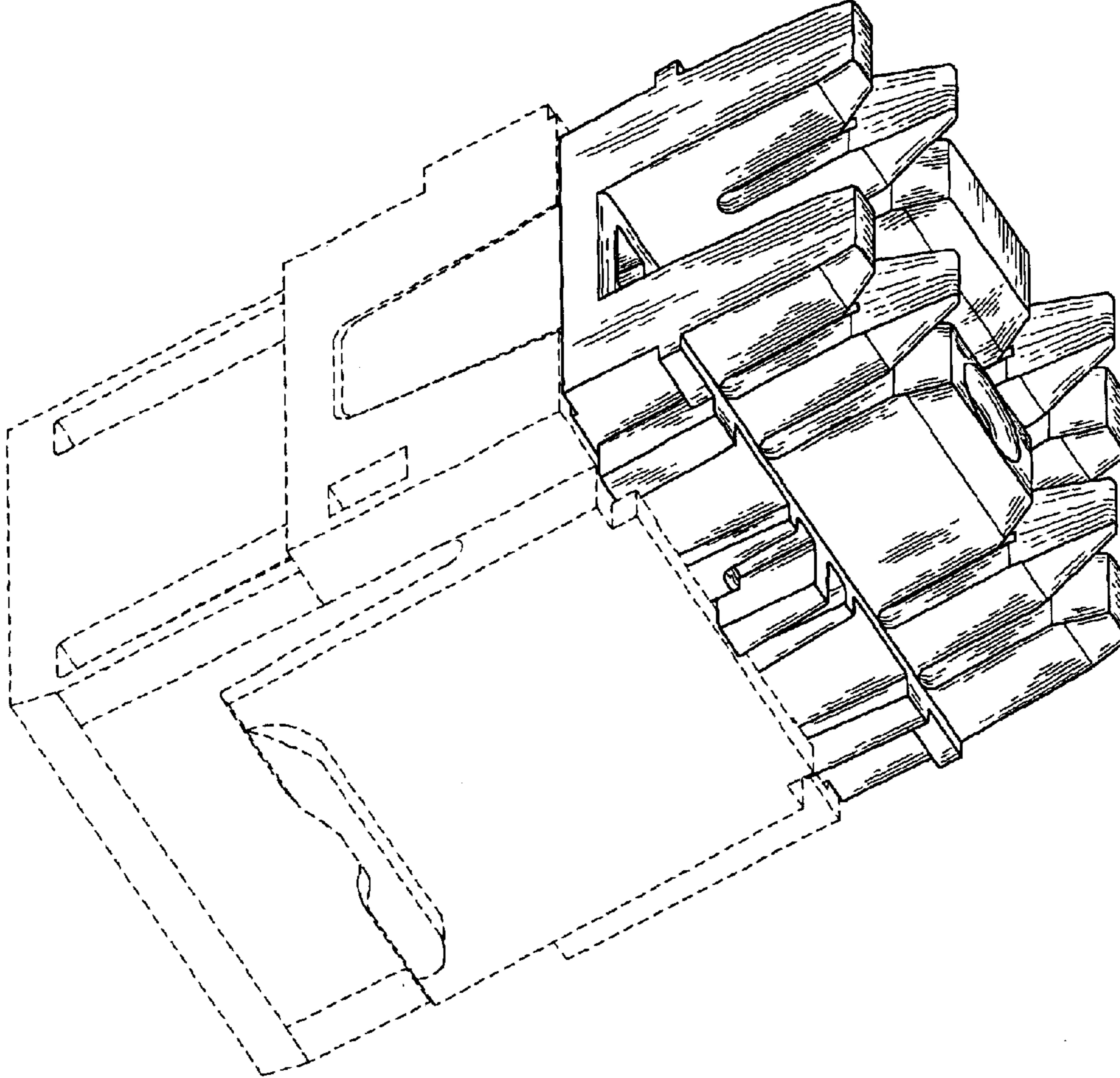
FIG. 7 is a top plan view thereof; and,

FIG. 8 is a bottom plan view thereof.

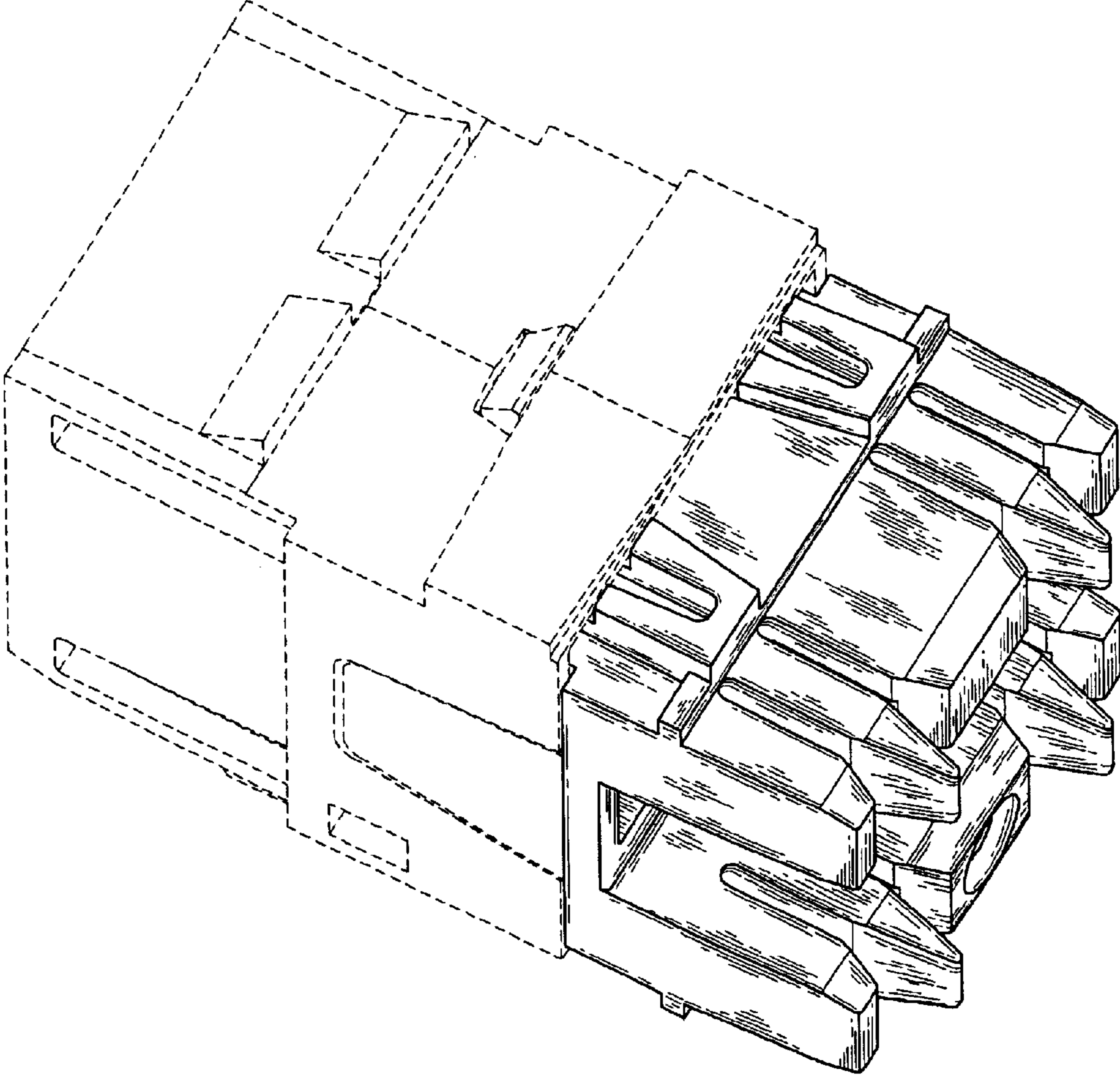
The broken lines are for illustrative purposes only and form no part of the claimed design.

**1 Claim, 8 Drawing Sheets**

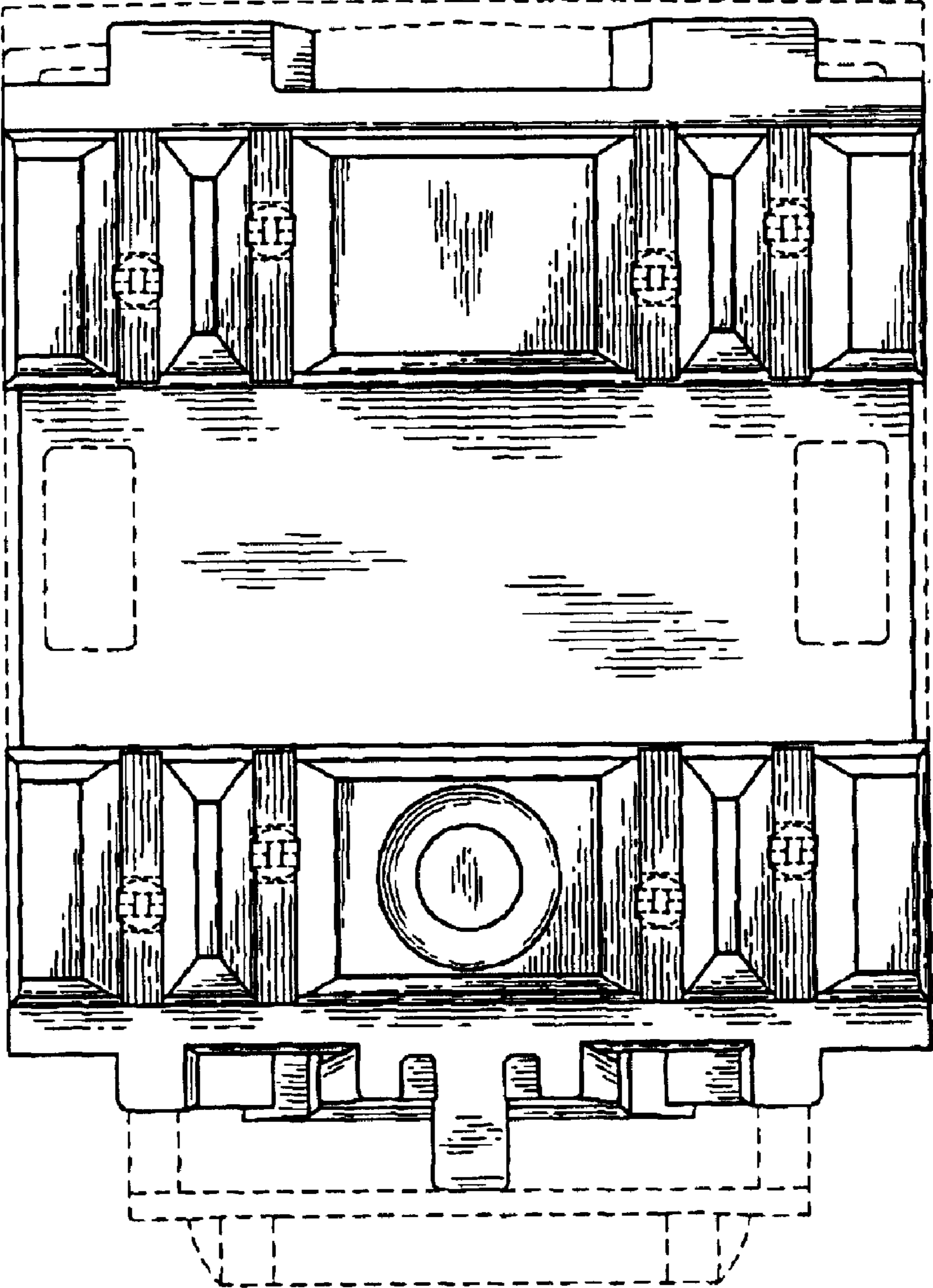




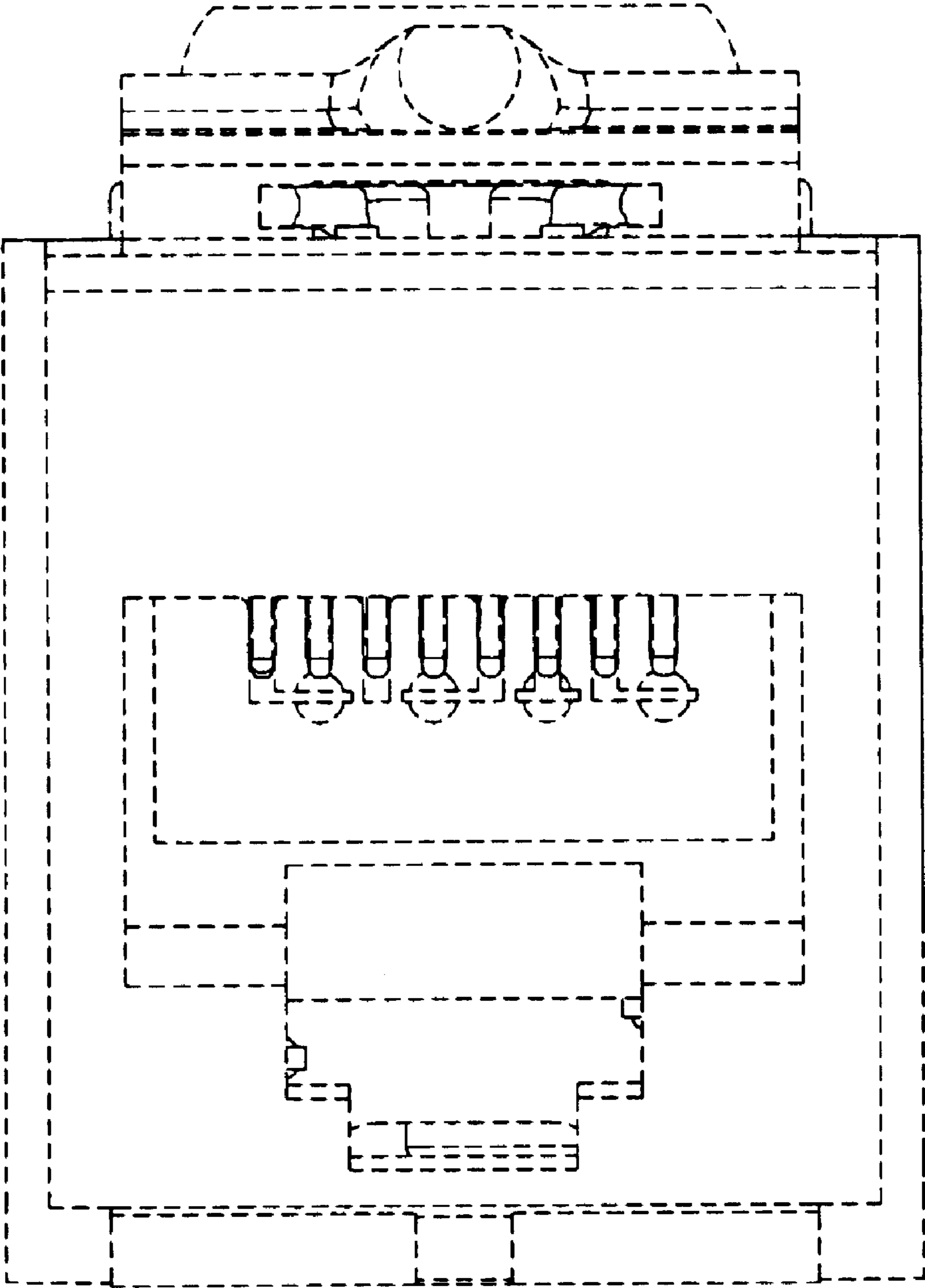
*Fig. 1*



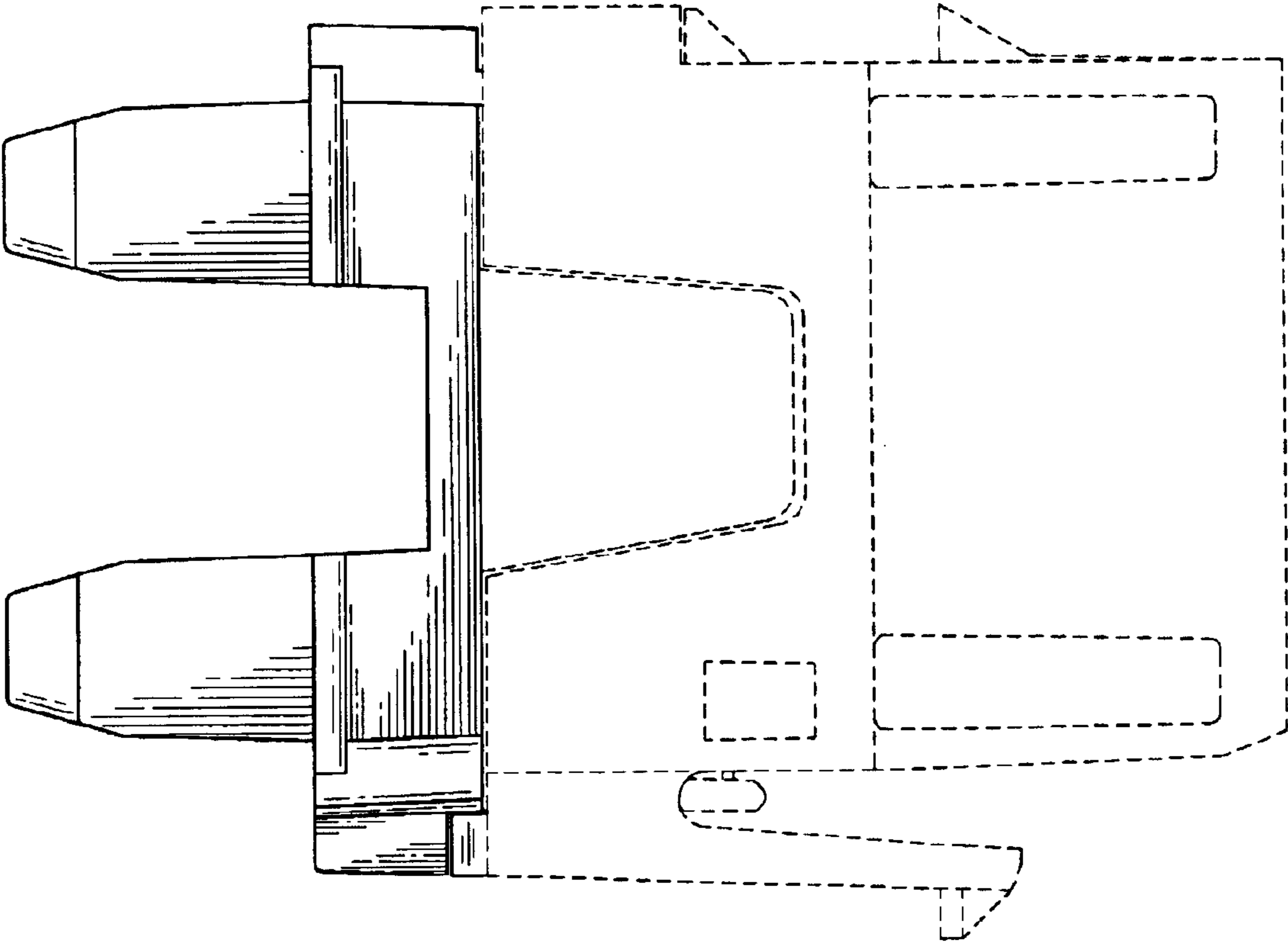
*Fig. 2*



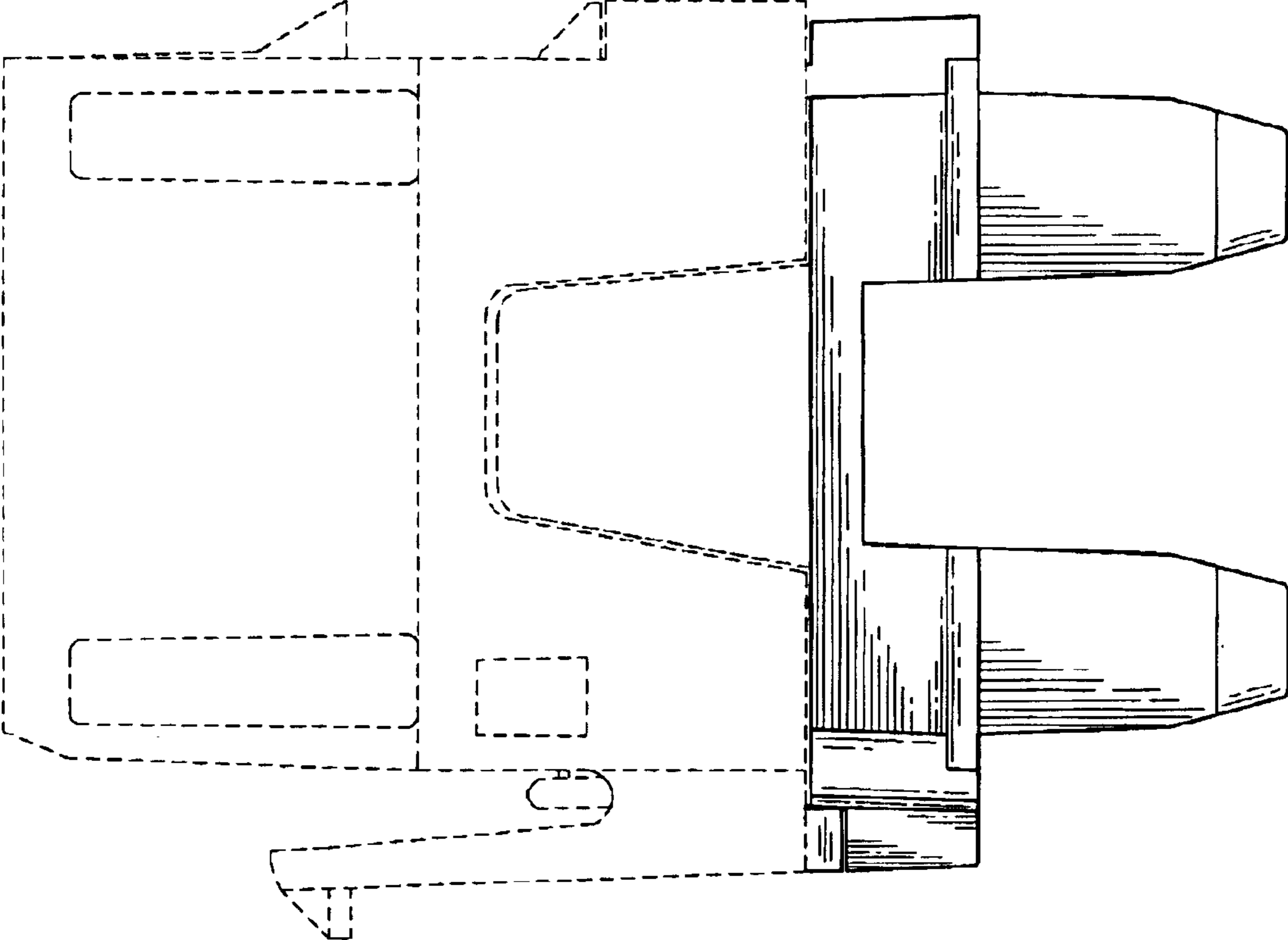
*Fig. 3*



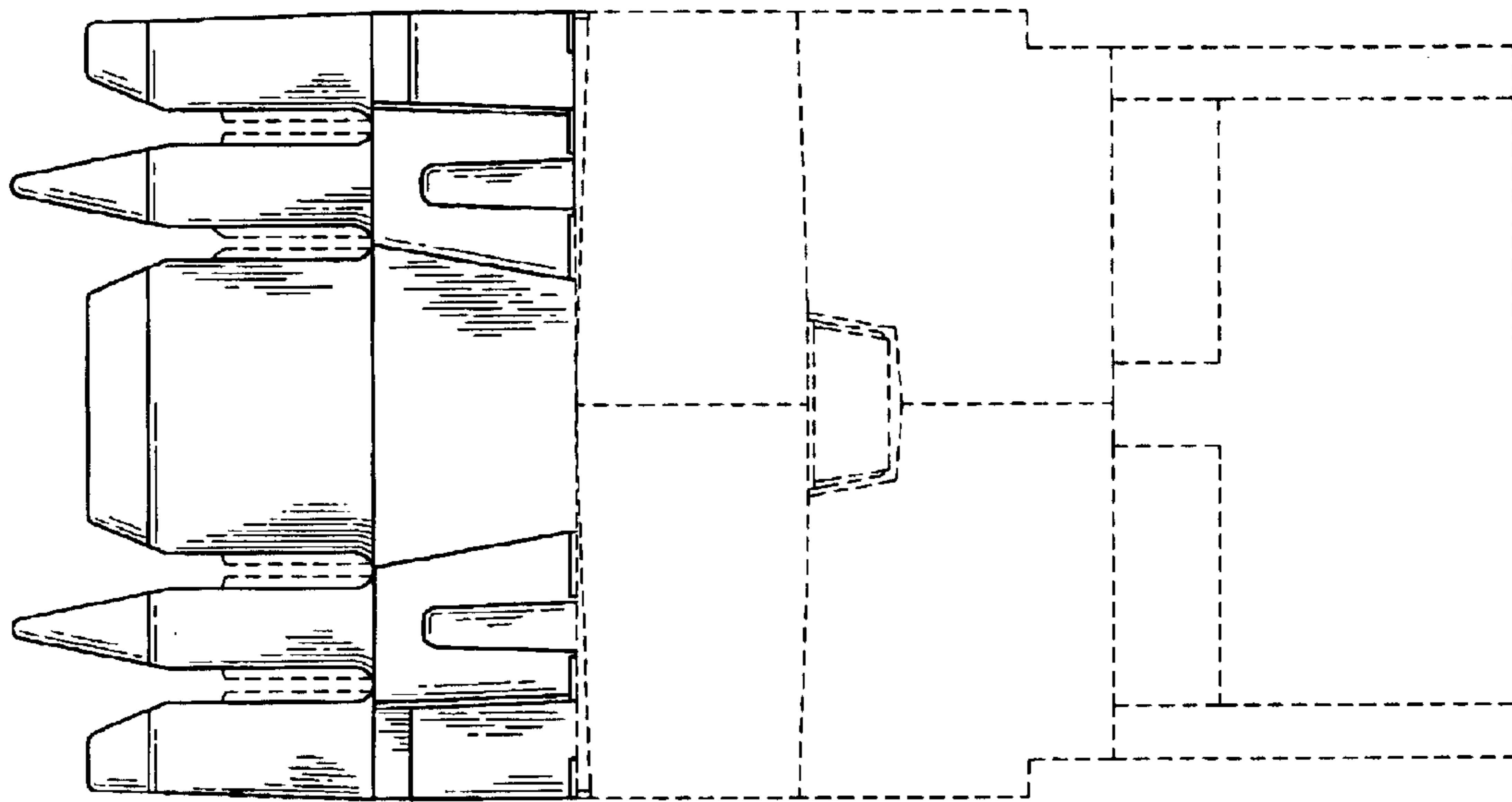
*Fig. 4*



*Fig. 5*

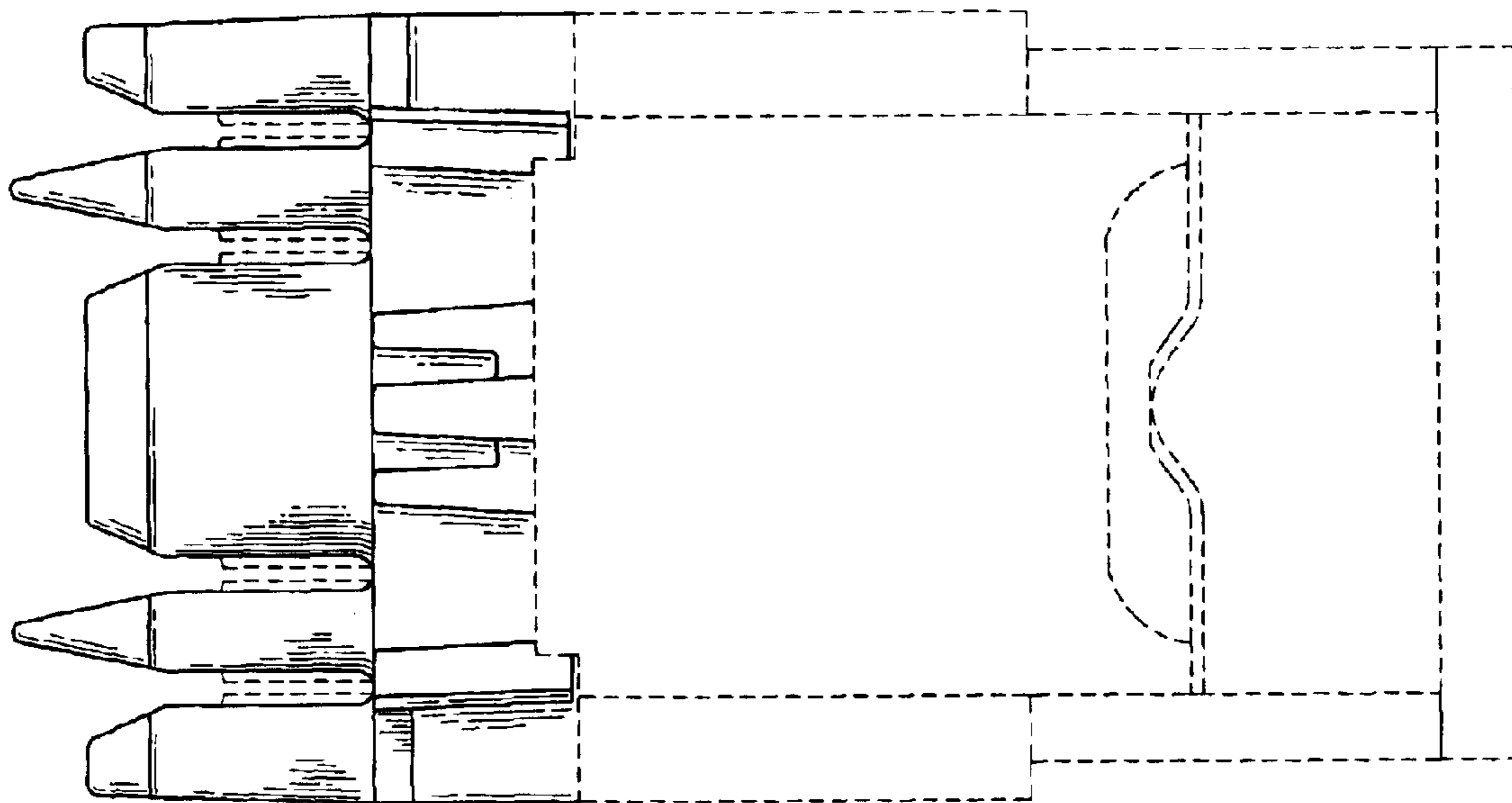


*Fig. 6*



*Fig. 7*





*Fig. 8*