

US00D511324S

(12) **United States Design Patent**
Tanaka

(10) **Patent No.:** **US D511,324 S**
(45) **Date of Patent:** **** Nov. 8, 2005**

(54) **ELECTRICAL CONNECTOR**

(75) Inventor: **Yukitaka Tanaka**, Tokyo (JP)

(73) Assignee: **Japan Aviation Electronics Industry, Limited**, Tokyo (JP)

(**) Term: **14 Years**

(21) Appl. No.: **29/197,925**

(22) Filed: **Jan. 23, 2004**

(30) **Foreign Application Priority Data**

Jul. 24, 2003 (JP) 2003-024874

(51) **LOC (8) Cl.** **13-03**

(52) **U.S. Cl.** **D13/120**

(58) **Field of Search** D30/146-47, 120,
D30/133; 439/352, 359, 362, 610, 607,
609

(56) **References Cited**

U.S. PATENT DOCUMENTS

5,580,283 A	12/1996	O'Sullivan et al.	
D420,979 S	2/2000	Chang	
6,193,555 B1 *	2/2001	Chang	439/608
6,299,482 B1 *	10/2001	Huang	439/607
D454,336 S	3/2002	Manchester et al.	
D468,693 S *	1/2003	Kuo	D13/147
6,547,595 B2	4/2003	Tanaka	
6,561,847 B1	5/2003	Xiang et al.	

D478,552 S	8/2003	Zhang et al.
6,629,859 B2	10/2003	Hoshino et al.
D488,132 S	4/2004	Tanaka

* cited by examiner

Primary Examiner—Alan P. Douglas

Assistant Examiner—Susan M. Lee

(74) *Attorney, Agent, or Firm*—Baker Botts L.L.P.

(57) **CLAIM**

The ornamental design for an electrical connector, as shown and described.

DESCRIPTION

FIG. 1 is a front, top and right side perspective view of an electrical connector;

FIG. 2 is a rear, bottom, and right side perspective view thereof;

FIG. 3 is a front elevational view thereof;

FIG. 4 is a top plan view thereof;

FIG. 5 is a bottom plan view thereof;

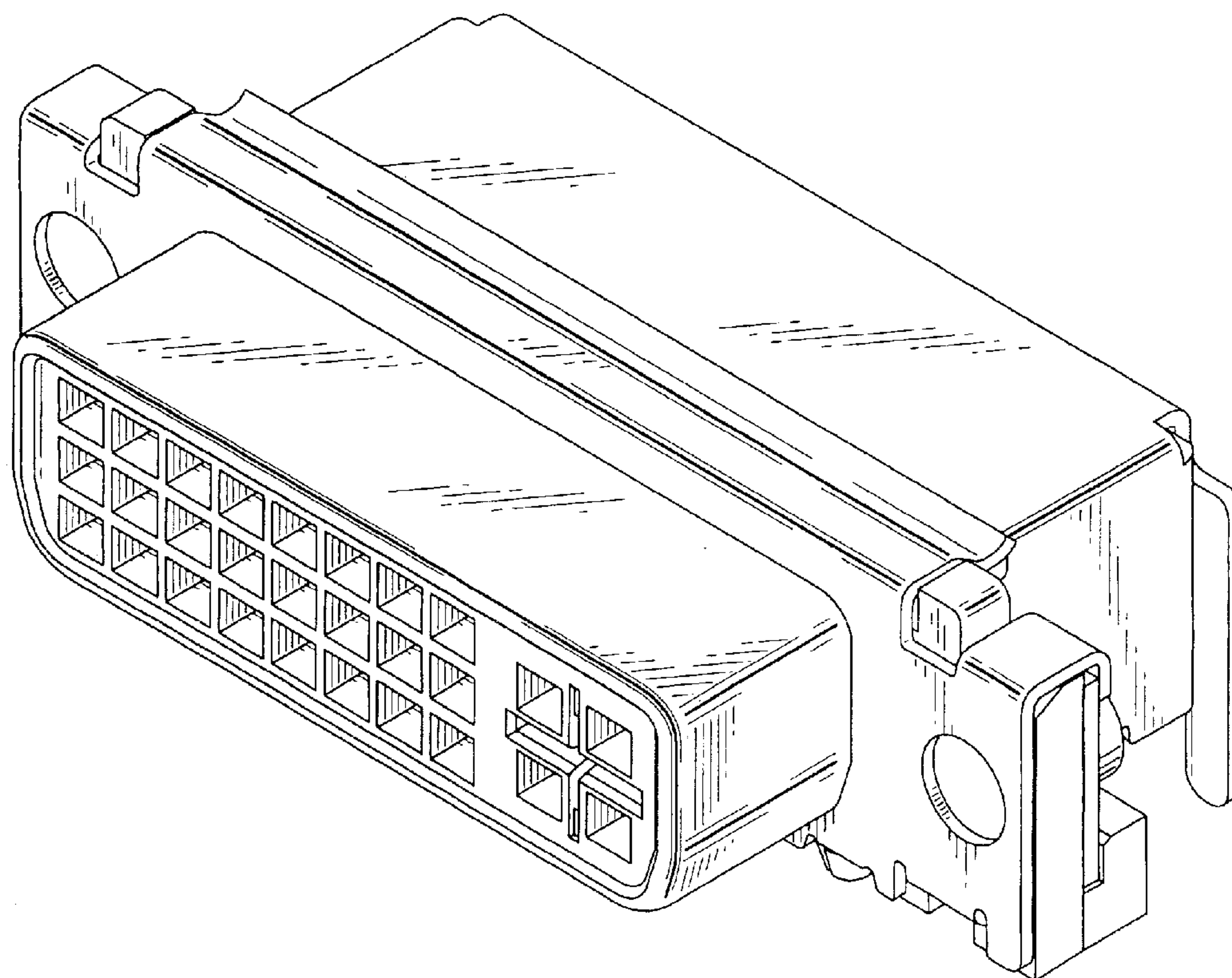
FIG. 6 is a rear elevational view thereof;

FIG. 7 is a right side elevational view thereof; and,

FIG. 8 is a sectional view taken along of line 8—8 of FIG. 3.

A left side elevational view of the electrical connector is omitted because it is presented symmetrical to the right side elevational view of FIG. 7.

1 Claim, 7 Drawing Sheets



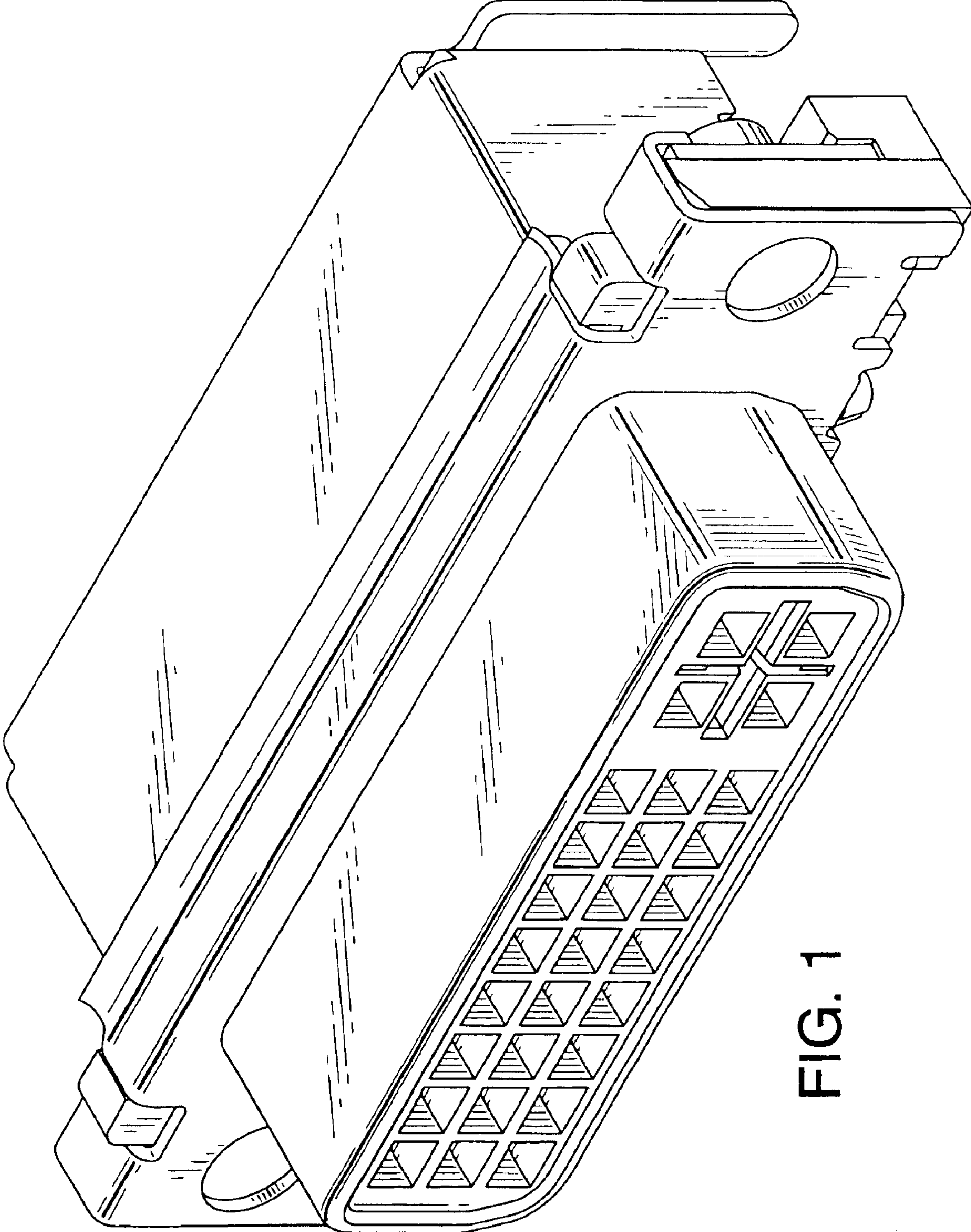


FIG. 1

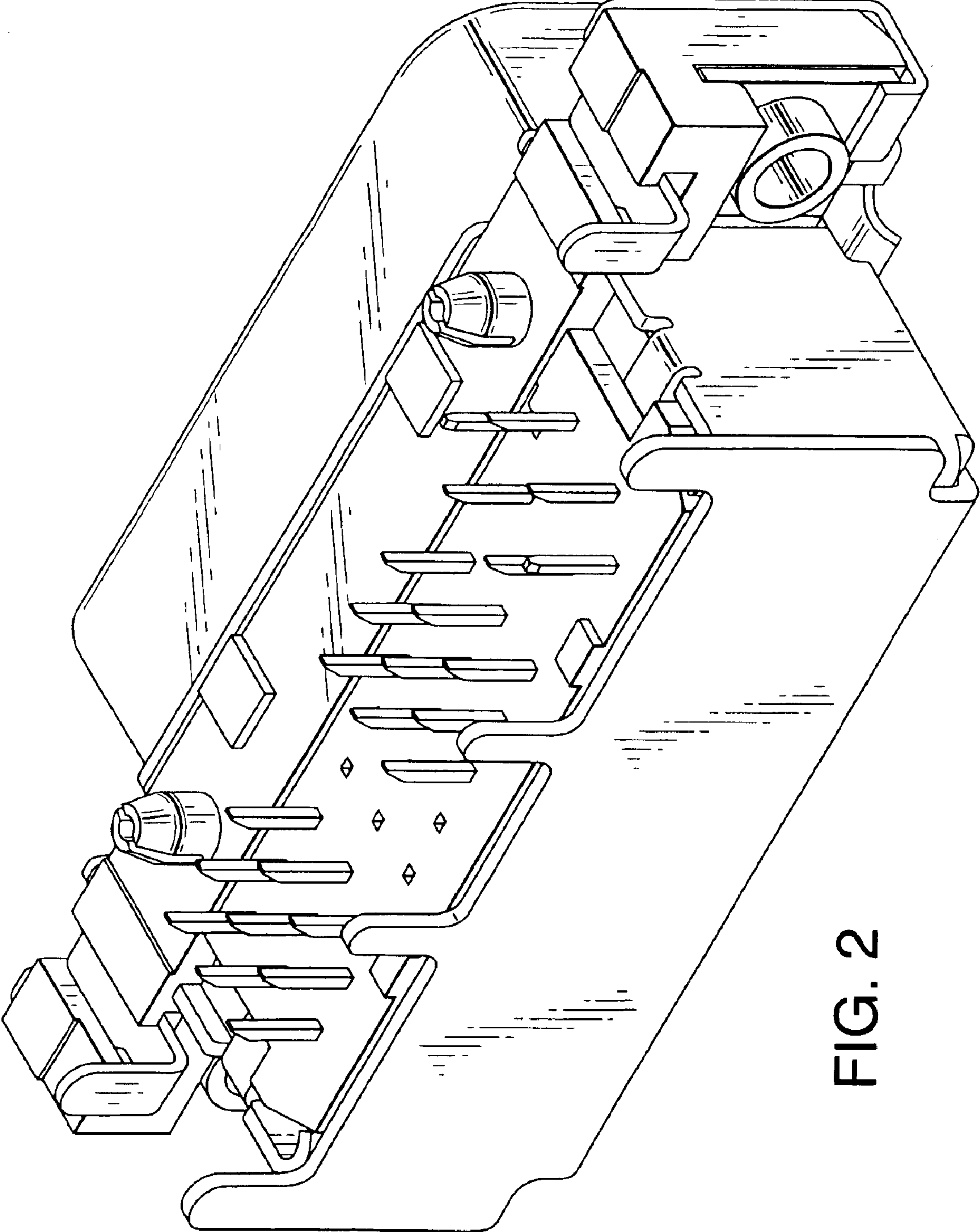


FIG. 2

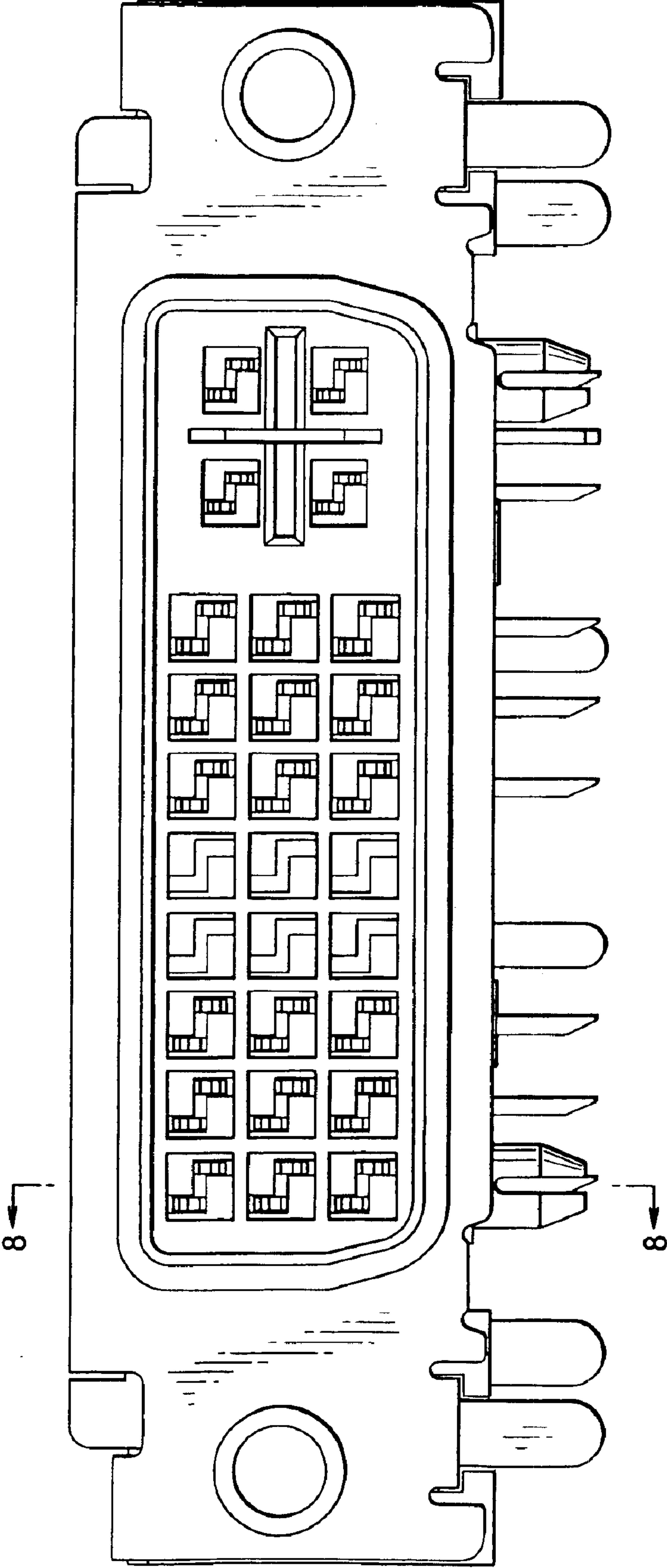


FIG. 3

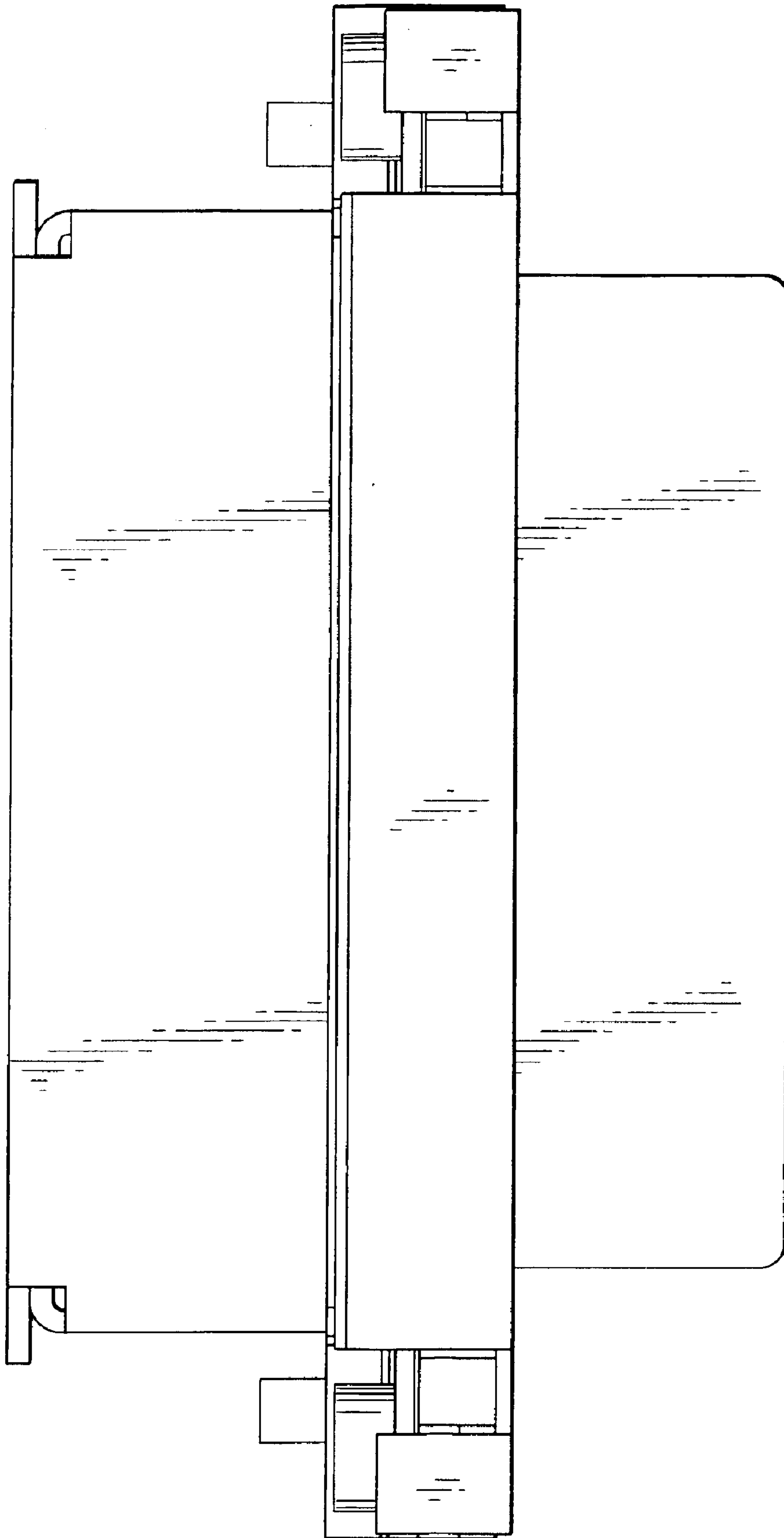


FIG. 4

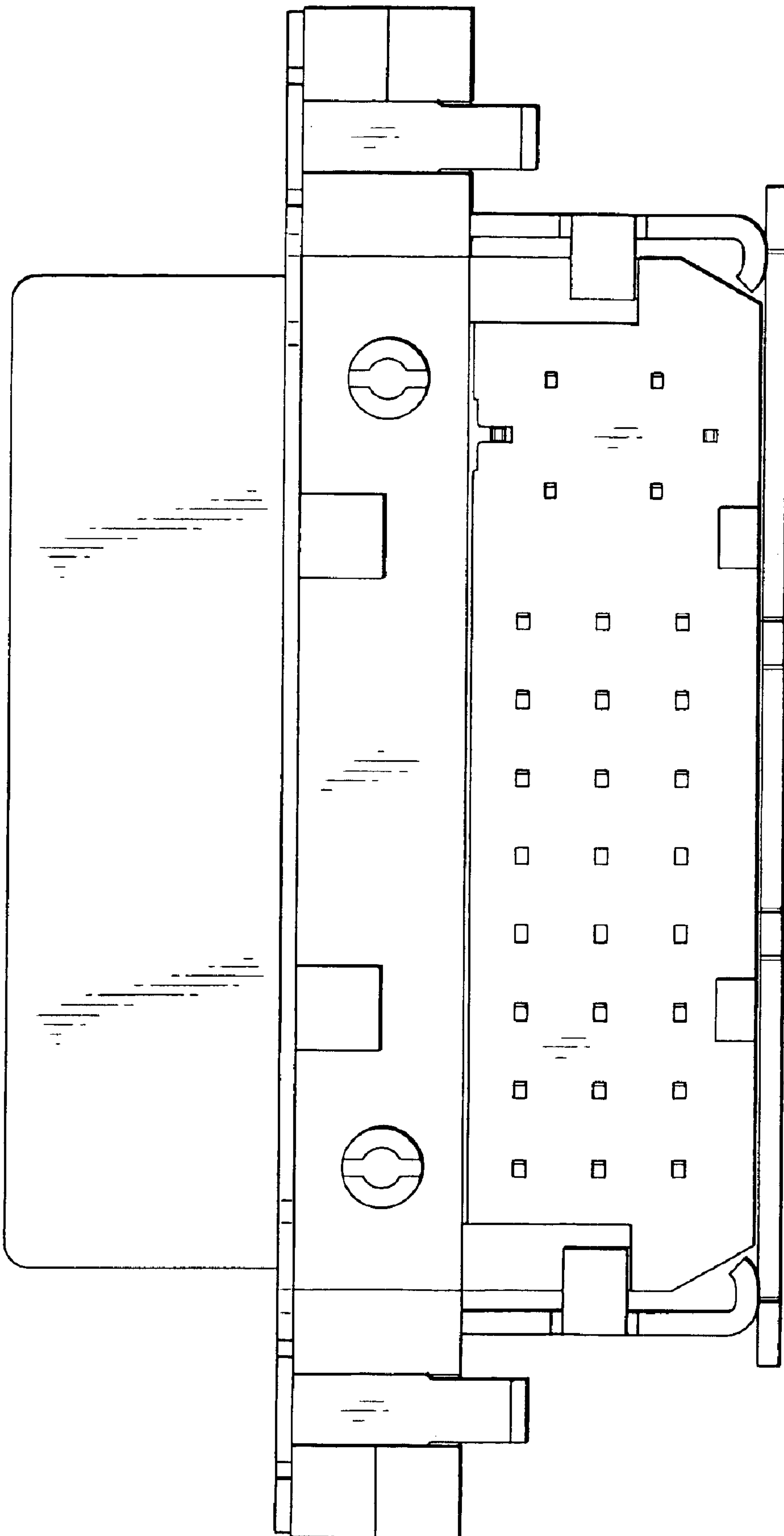


FIG. 5

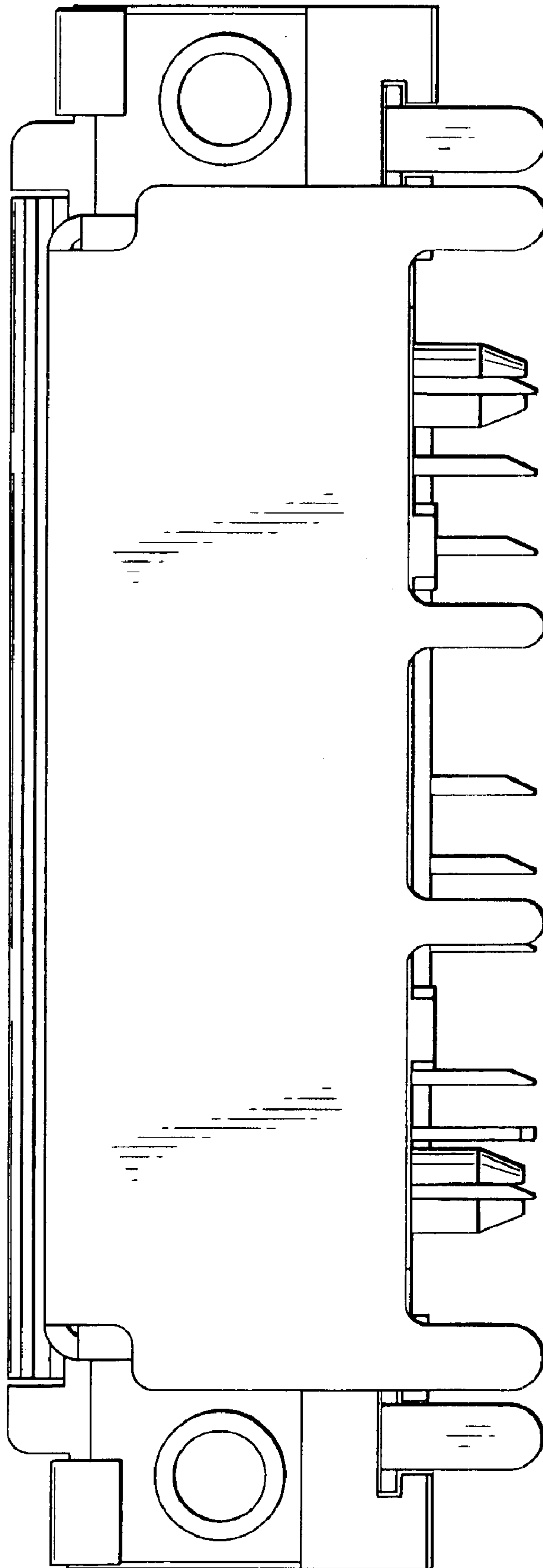


FIG. 6

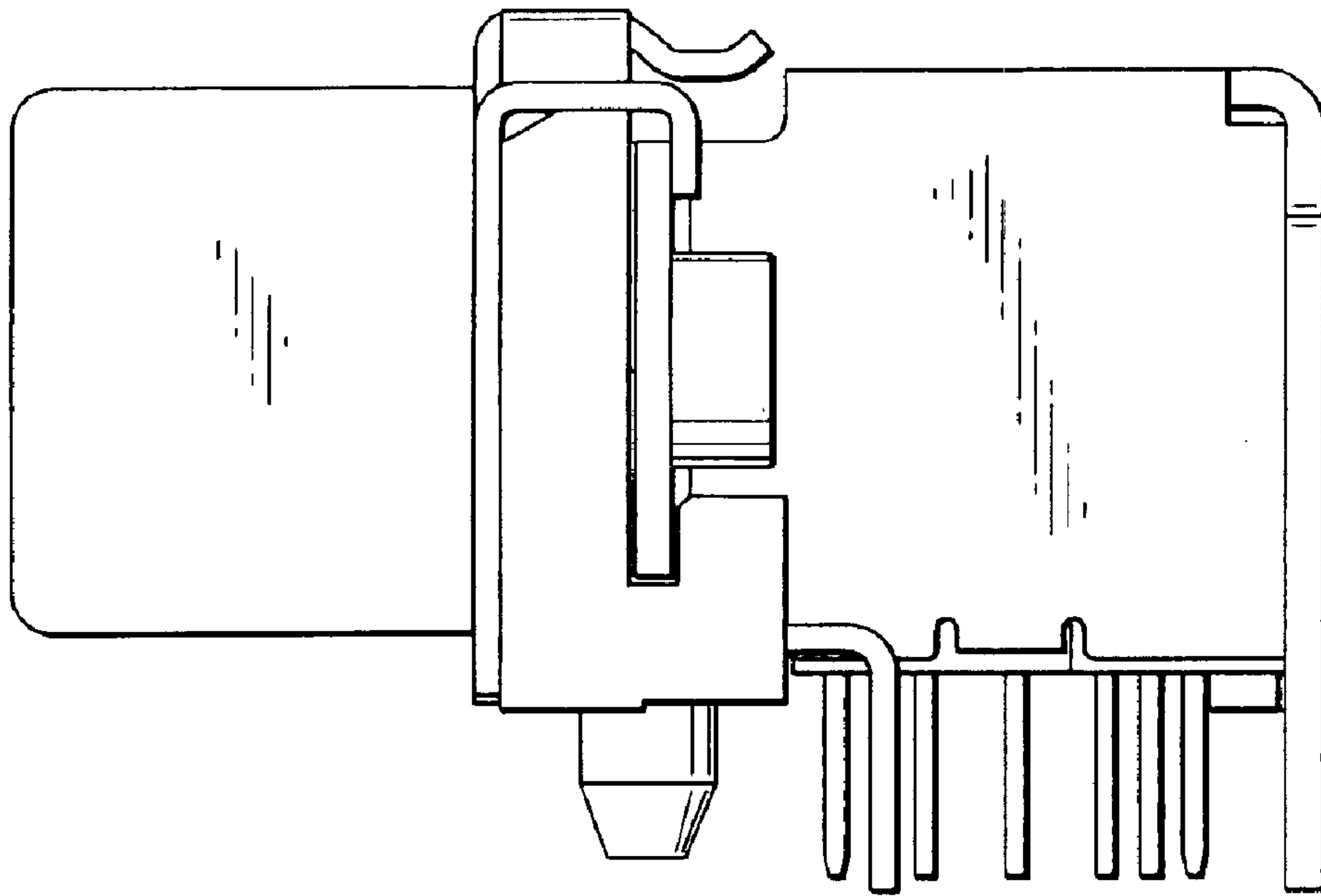


FIG. 7

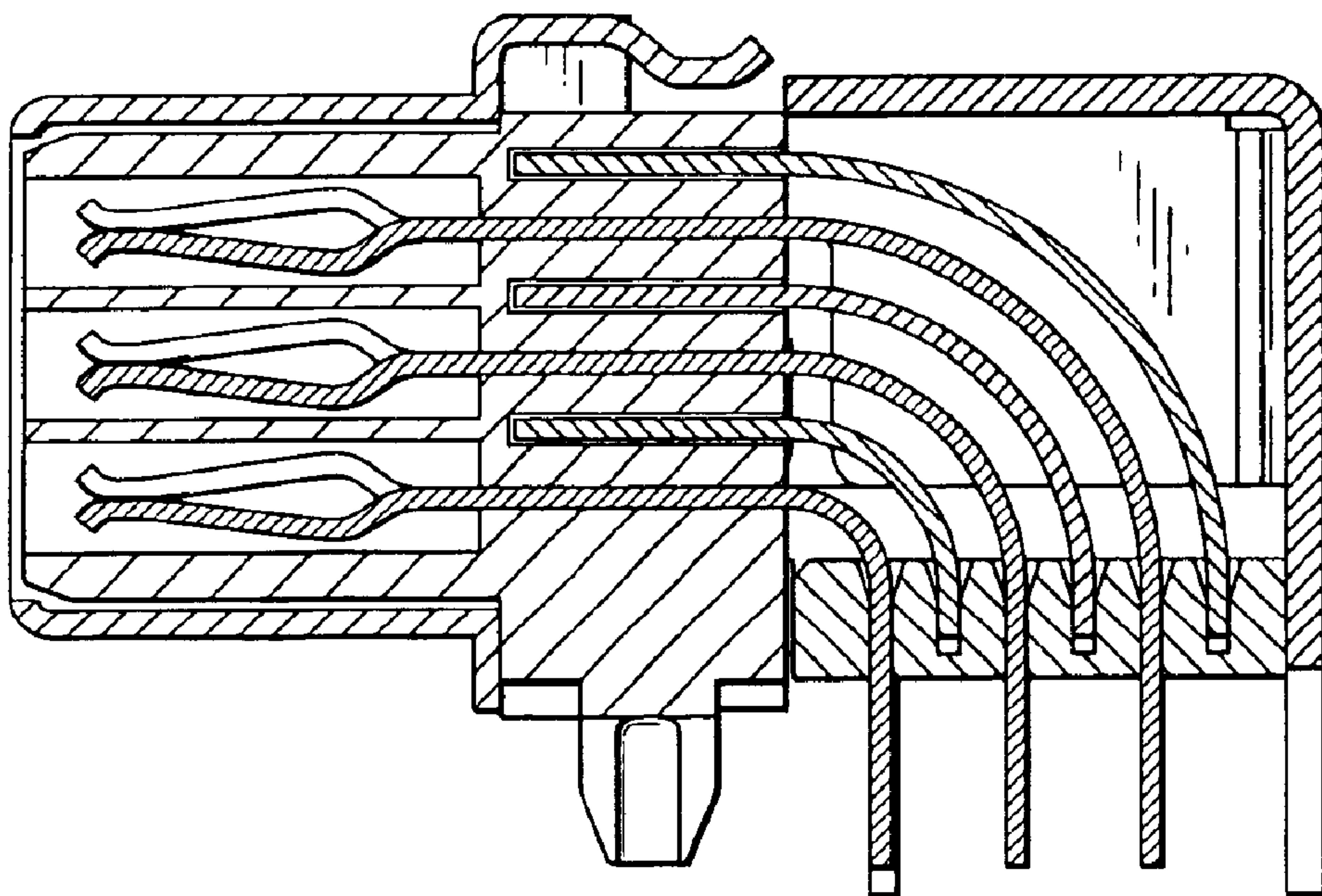


FIG. 8