



US00D511323S

(12) **United States Design Patent**  
**Kato et al.**

(10) **Patent No.:** **US D511,323 S**  
(45) **Date of Patent:** **\*\* Nov. 8, 2005**

(54) **DYNAMO FOR A WIND POWER GENERATOR**  
(75) Inventors: **Kazumichi Kato, Ise (JP); Toshio Miki, Ise (JP); Hiroo Mike, Ise (JP); Junichi Kurokawa, Ise (JP)**  
(73) Assignee: **Shinko Electric Co., Ltd., Tokyo (JP)**  
(\*\*) Term: **14 Years**  
(21) Appl. No.: **29/201,604**  
(22) Filed: **Mar. 18, 2004**  
(51) **LOC (8) Cl.** ..... **13-01**  
(52) **U.S. Cl.** ..... **D13/115**  
(58) **Field of Search** ..... **D13/110-118, D13/184, 199; 290/43-44, 52-55; 415/2.1; 416/176-177**

6,172,429 B1 \* 1/2001 Russell ..... 290/54  
6,629,815 B2 \* 10/2003 Lusk ..... 415/907  
6,710,469 B2 \* 3/2004 McDavid, Jr. .... 290/55  
6,841,894 B2 \* 1/2005 Gomez Gomar ..... 290/55  
2003/0209911 A1 \* 11/2003 Pechler ..... 290/55  
2004/0036297 A1 \* 2/2004 Rowe ..... 290/55

\* cited by examiner

*Primary Examiner*—Stella Reid  
*Assistant Examiner*—Daniel Bui  
(74) *Attorney, Agent, or Firm*—Steptoe & Johnson LLP

(57) **CLAIM**

The ornamental design for a dynamo for a wind power generator, as shown and described.

**DESCRIPTION**

FIG. 1 is a perspective view of a dynamo for a wind power generator.  
FIG. 2 is a front elevation view thereof.  
FIG. 3 is a rear elevation view thereof.  
FIG. 4 is a top plan view thereof.  
FIG. 5 is a bottom plan view thereof.  
FIG. 6 is a left side elevation view thereof; and,  
FIG. 7 is a right side elevation view thereof.

(56) **References Cited**  
**U.S. PATENT DOCUMENTS**  
4,318,019 A \* 3/1982 Teasley et al. .... 310/156.35  
4,520,273 A \* 5/1985 Rowe ..... 290/54  
4,551,631 A \* 11/1985 Trigilio ..... 290/55  
4,692,631 A \* 9/1987 Dahl ..... 290/55

**1 Claim, 7 Drawing Sheets**

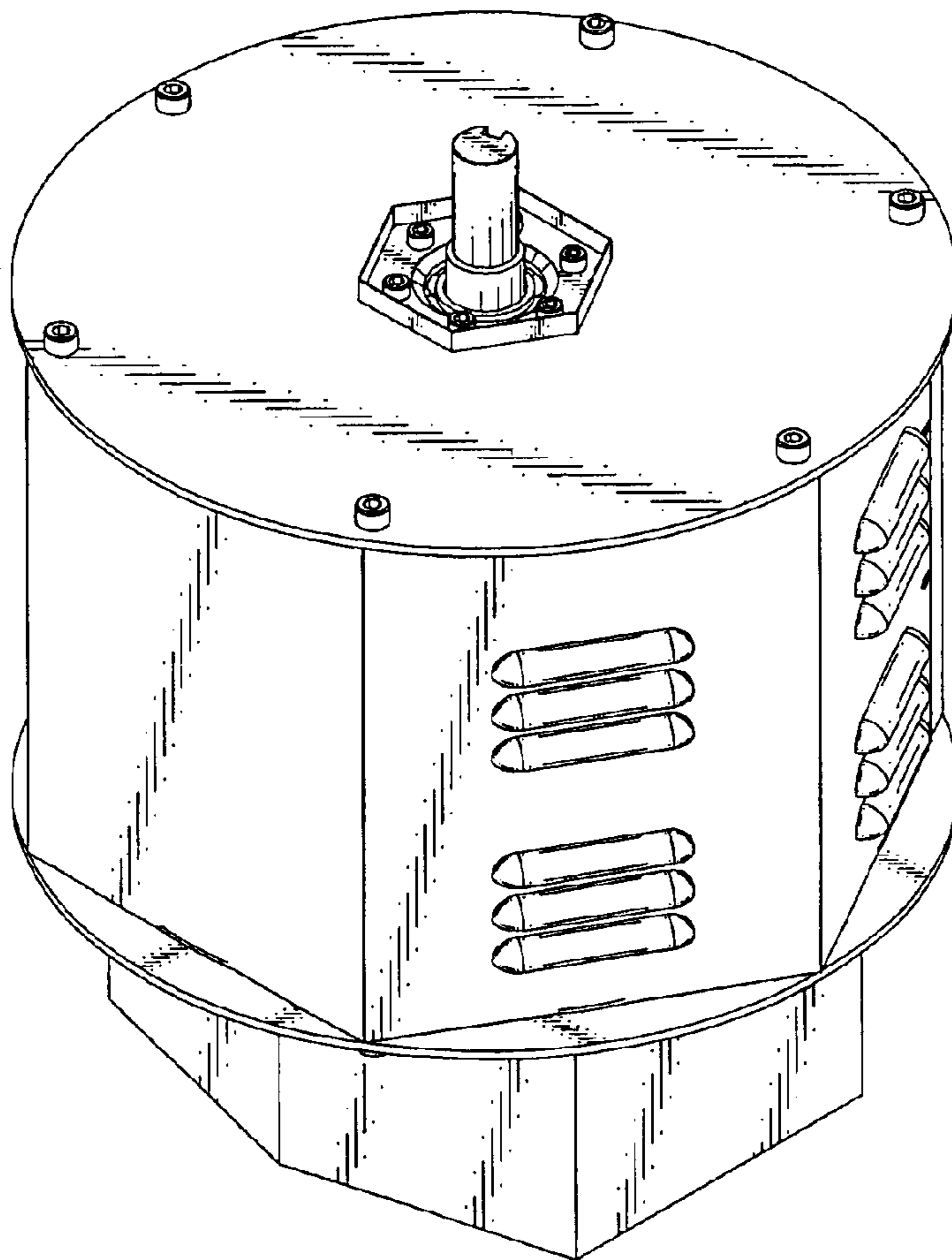


FIG. 1

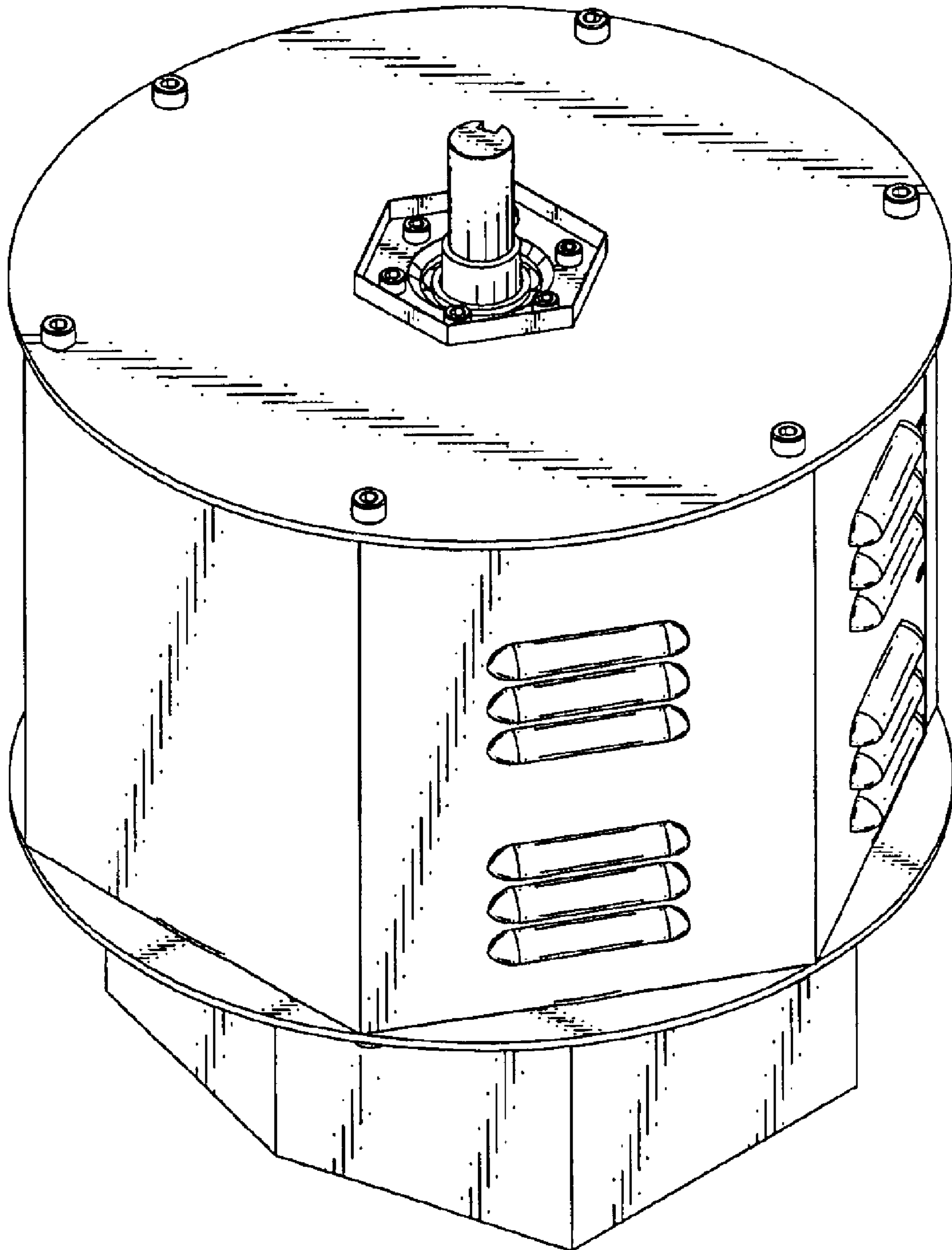


FIG. 2

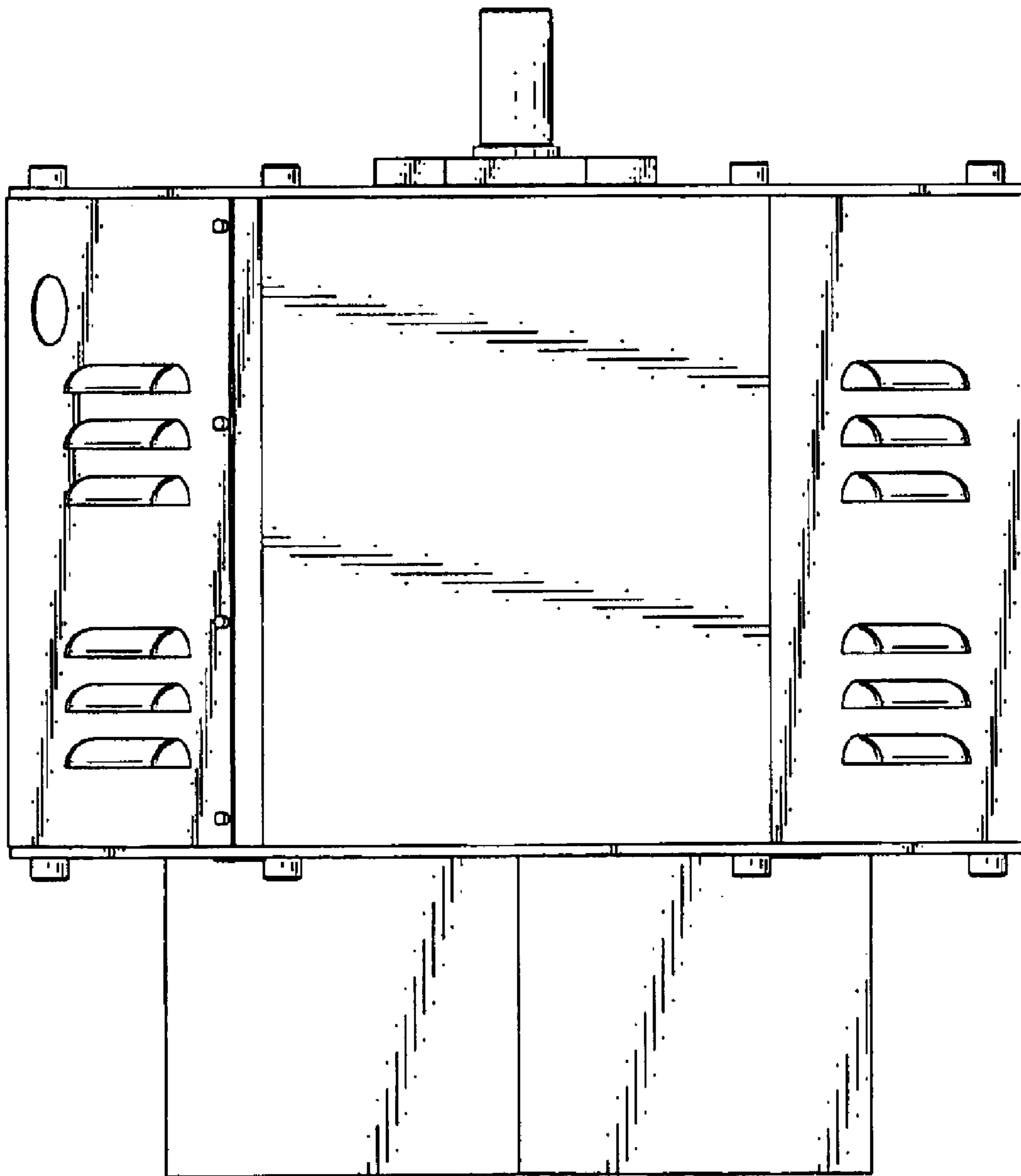


FIG. 3

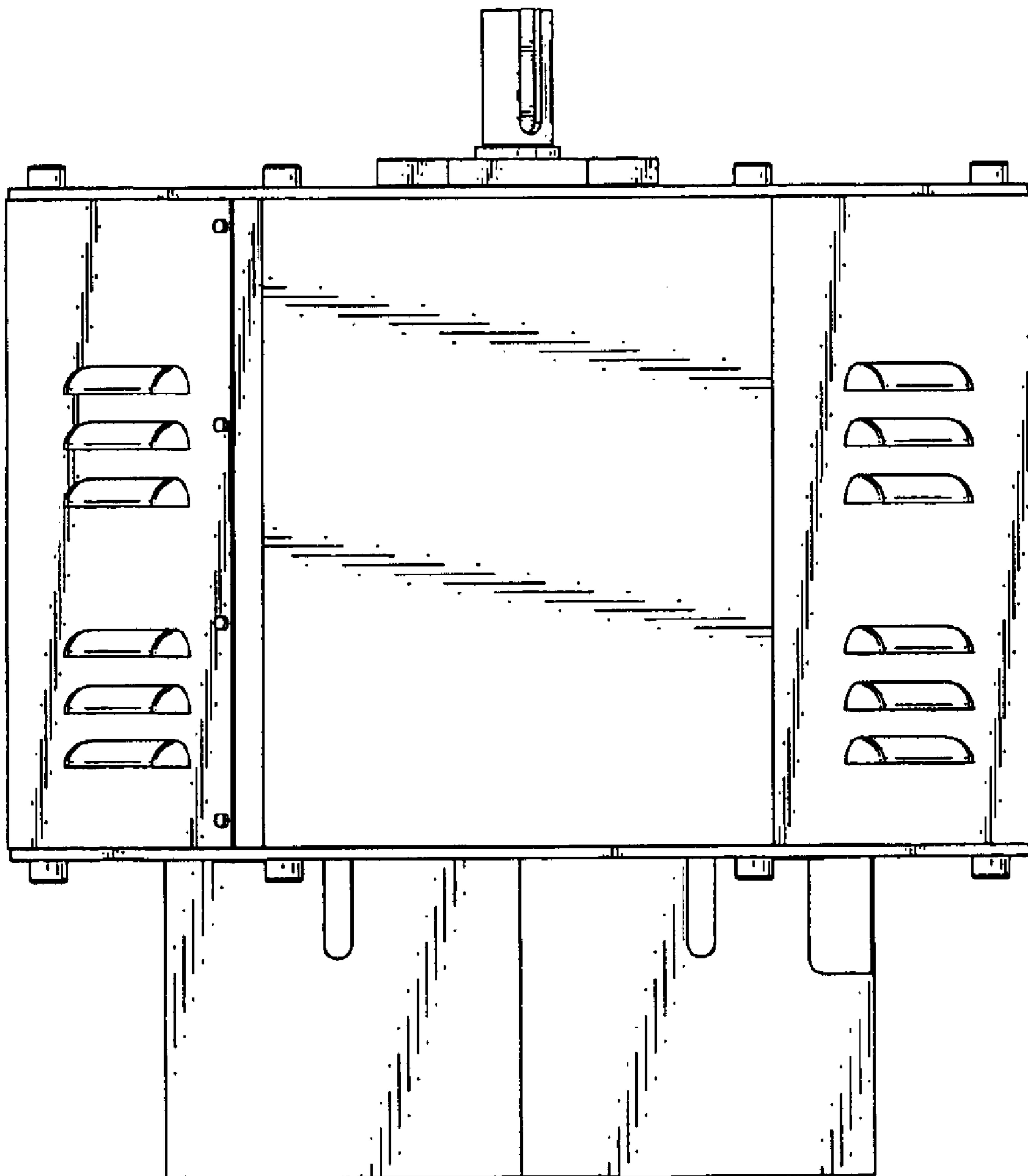


FIG. 4

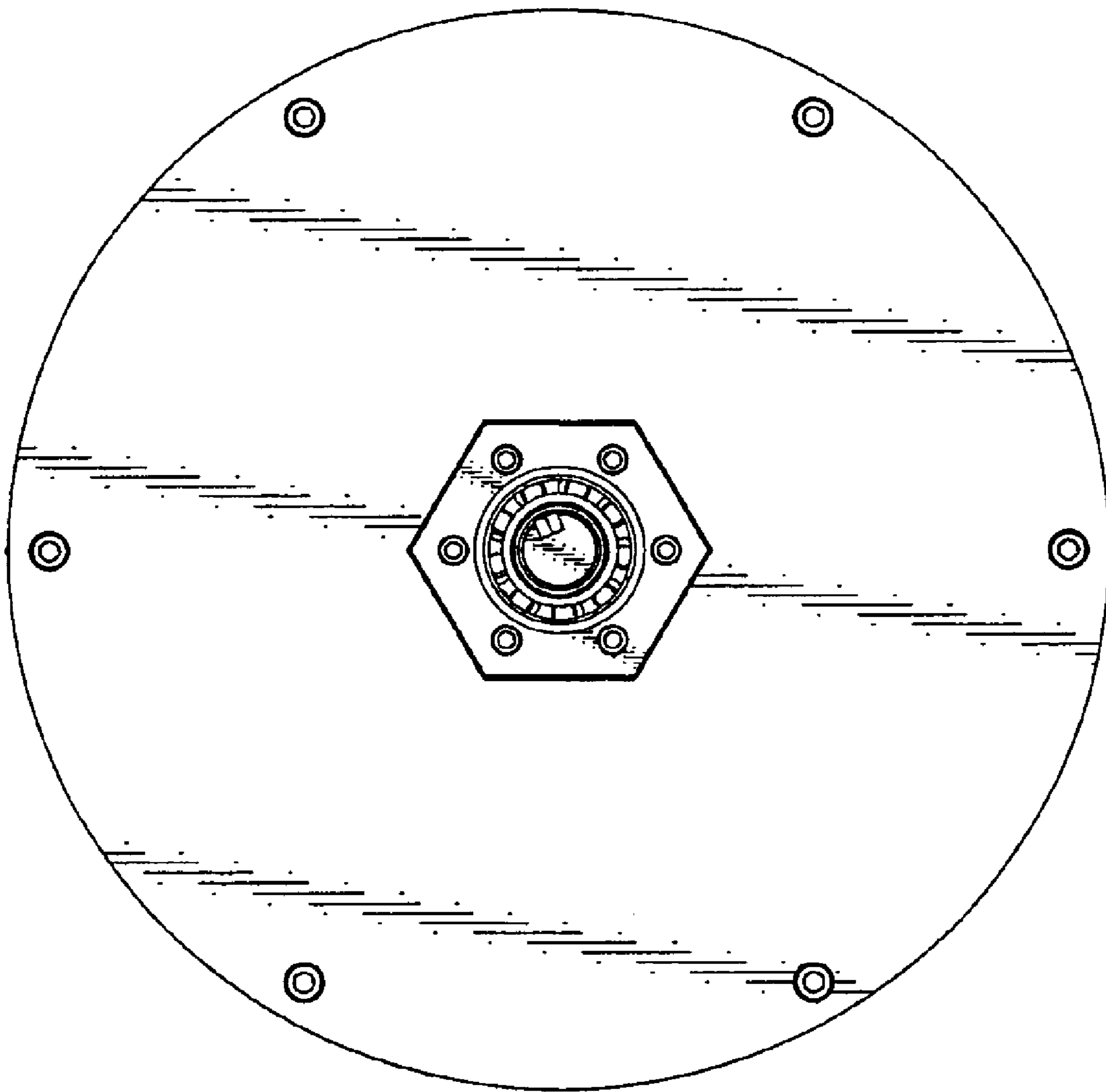


FIG. 5

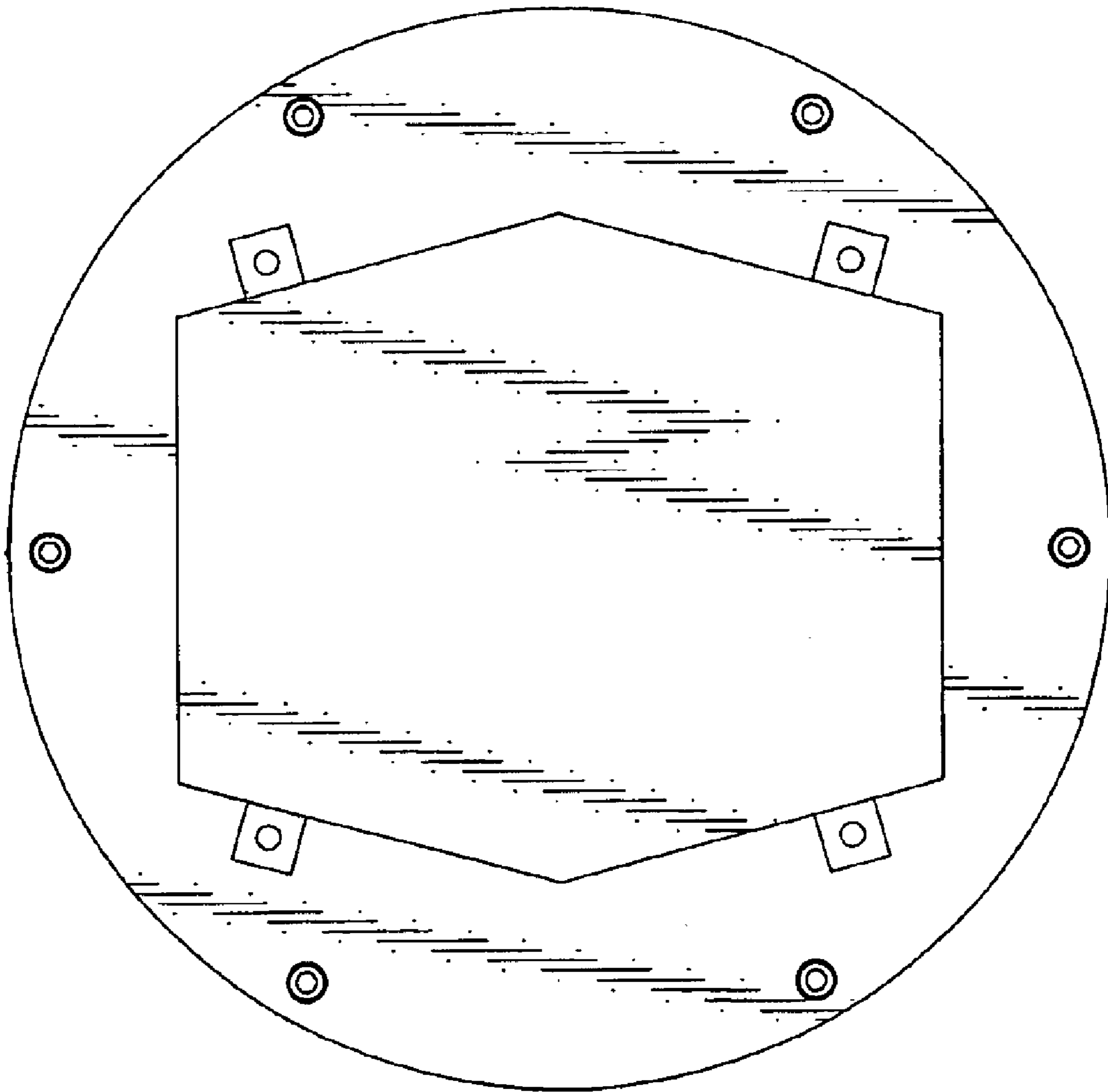


FIG. 6

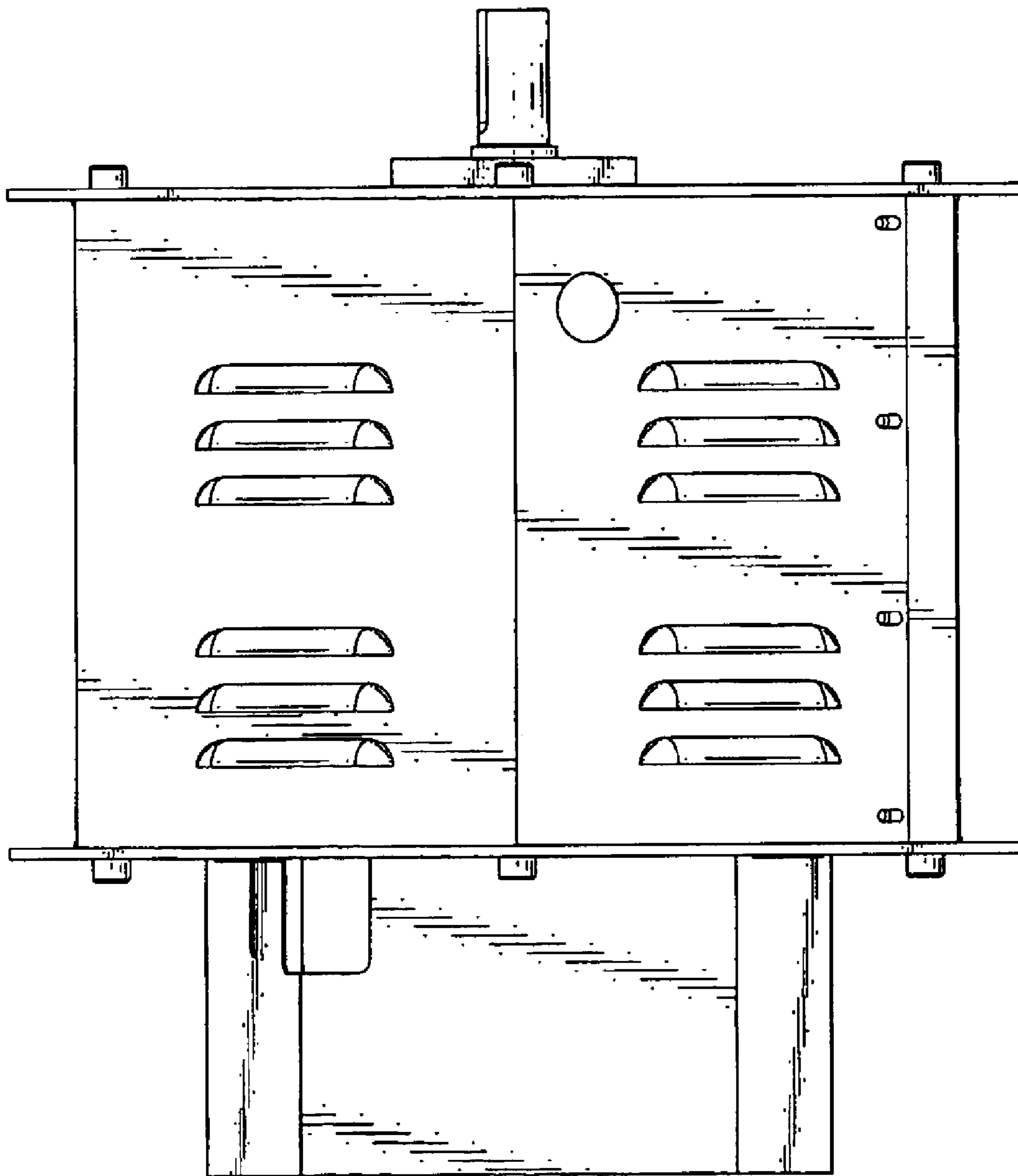


FIG. 7

