



US00D511322S

(12) **United States Design Patent** (10) **Patent No.:** **US D511,322 S**
Labonté et al. (45) **Date of Patent:** **** Nov. 8, 2005**

(54) **ICE SKATE BLADE HOLDER**

(75) Inventors: **Ivan Labonté**, Montreal (CA); **Chris Langevin**, Prévost (CA)

(73) Assignee: **Bauer Nike Hockey Inc.**, Saint-Jérôme (CA)

(**) Term: **14 Years**

(21) Appl. No.: **29/217,885**

(22) Filed: **Nov. 24, 2004**

(51) **LOC (8) Cl.** **21-02**

(52) **U.S. Cl.** **D12/761**

(58) **Field of Search** D21/760, 761,
D21/762, 771; 280/11.12, 11.14, 11.15,
11.18

(56) **References Cited**

U.S. PATENT DOCUMENTS

D245,872 S	9/1977	Baikie	
4,074,909 A	* 2/1978	Baikie	280/11.12
D250,490 S	12/1978	Baikie	
D262,986 S	* 2/1982	Cox, Jr.	D21/761
D264,984 S	* 6/1982	Olivieri	D21/761
D268,125 S	3/1983	Baikie	
D271,036 S	10/1983	Baikie	
D396,084 S	* 7/1998	Laberge et al.	D21/761
6,467,778 B1	* 10/2002	Goldsmith et al.	280/11.12
D486,196 S	* 2/2004	Lefebvre	D21/771
D488,845 S	4/2004	Labonté et al.	
2003/0015848 A1	1/2003	Pham et al.	

* cited by examiner

Primary Examiner—Holly Baynham
Assistant Examiner—Cynthia M. Chin

(57) **CLAIM**

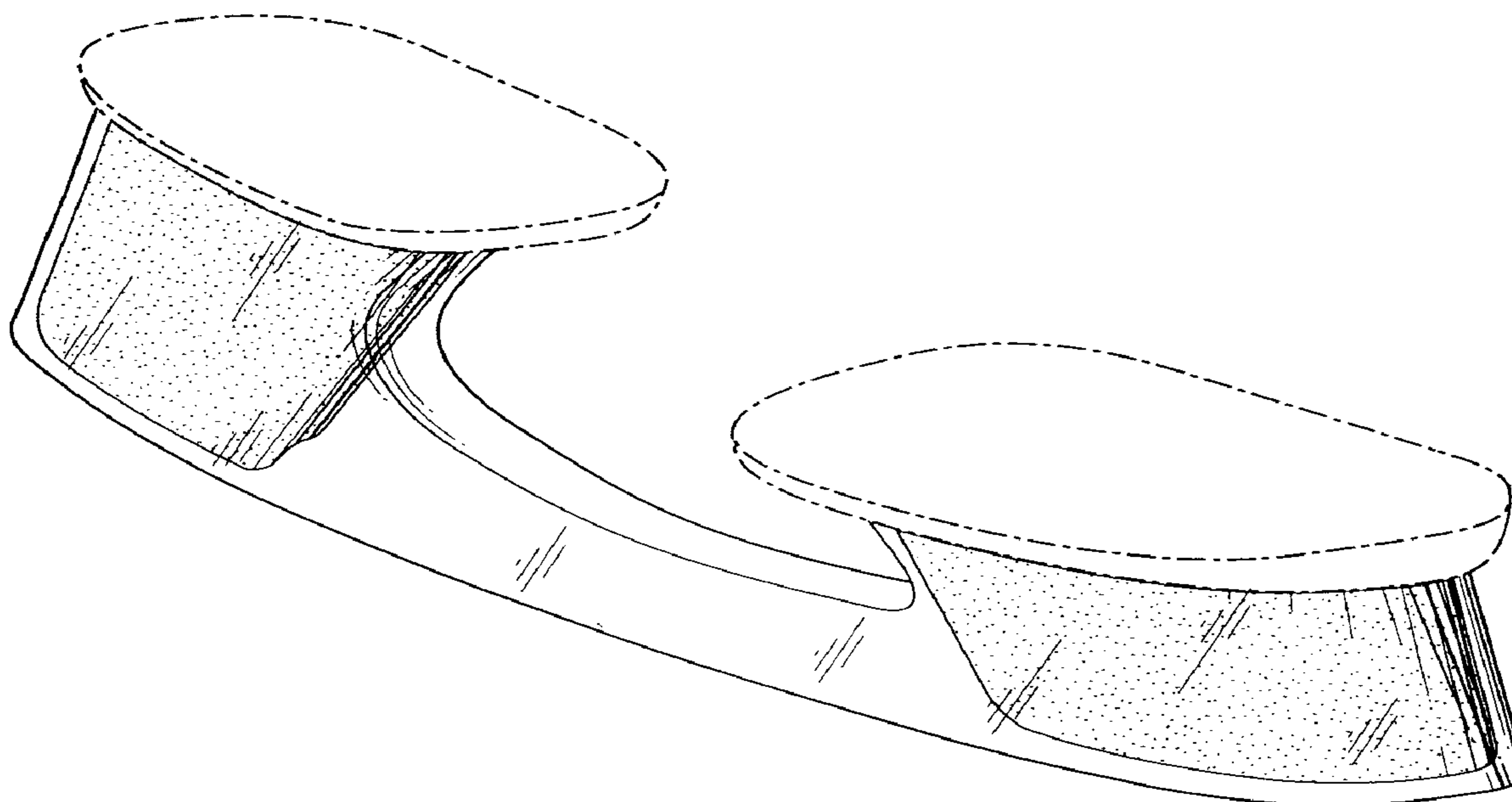
We claim the ornamental design for an ice skate blade holder, as shown and described.

DESCRIPTION

FIG. 1 is a perspective view of an ice skate blade holder according to a first embodiment of the present design; FIG. 2 is a front elevational view of the ice skate blade holder of FIG. 1; FIG. 3 is rear elevational view of the ice skate blade holder of FIG. 1; FIG. 4 is a right side elevational view of the ice skate blade holder of FIG. 1; FIG. 5 is a left side elevational view of the ice skate blade holder of FIG. 1; FIG. 6 is a bottom plan view of the ice skate blade holder of FIG. 1; FIG. 7 is a perspective view of an ice skate blade holder according to a second embodiment of the present design; FIG. 8 is a front elevational view of the ice skate blade holder of FIG. 7; FIG. 9 is rear elevational view of the ice skate blade holder of FIG. 7; FIG. 10 is a right side elevational view of the ice skate blade holder of FIG. 7; FIG. 11 is a left side elevational view of the ice skate blade holder of FIG. 7; and, FIG. 12 is a bottom plan view of the ice skate blade holder of FIG. 7.

The broken lines form no part of the design and are for illustrative purposes only.

1 Claim, 4 Drawing Sheets



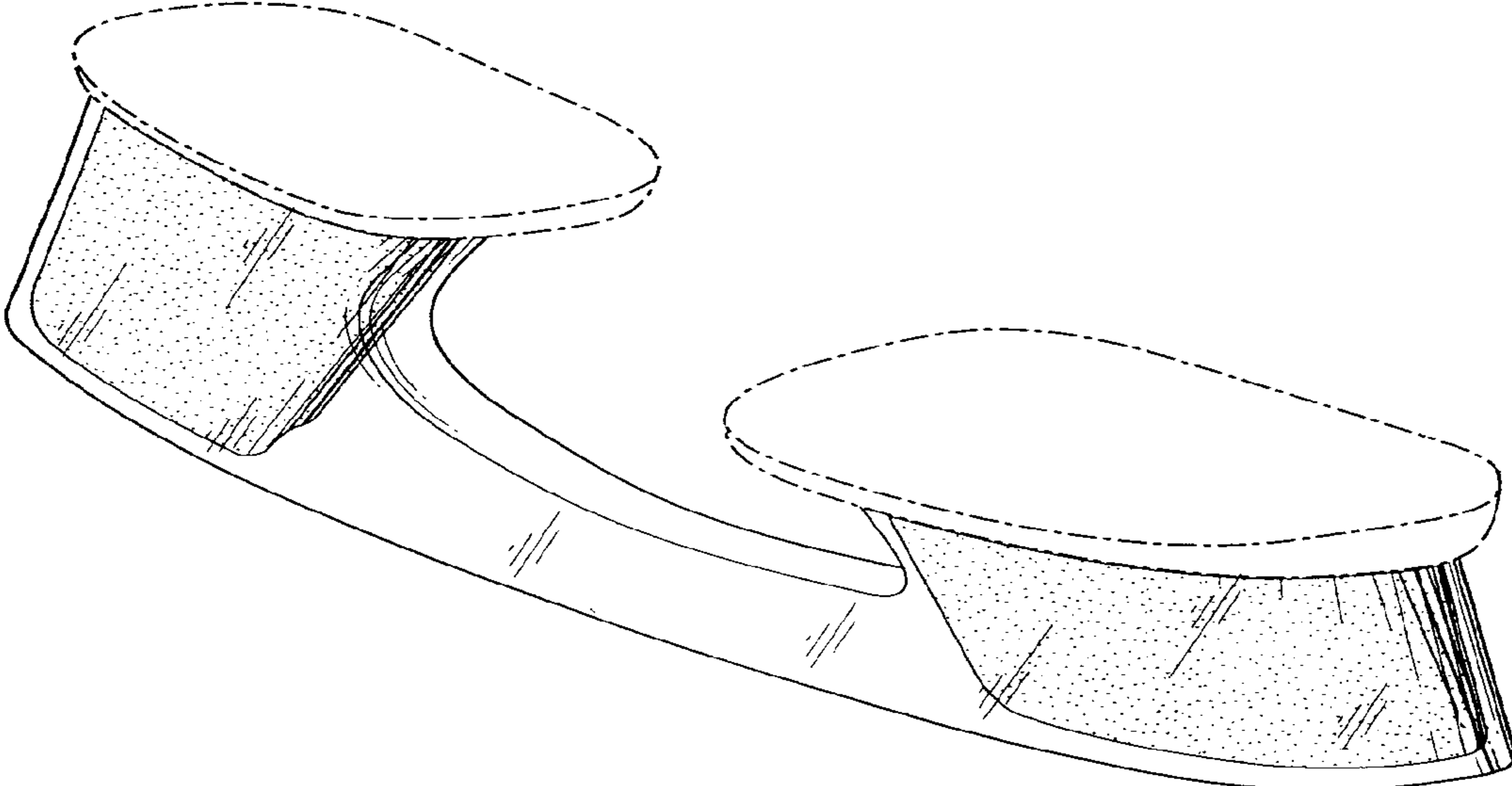


Fig-1

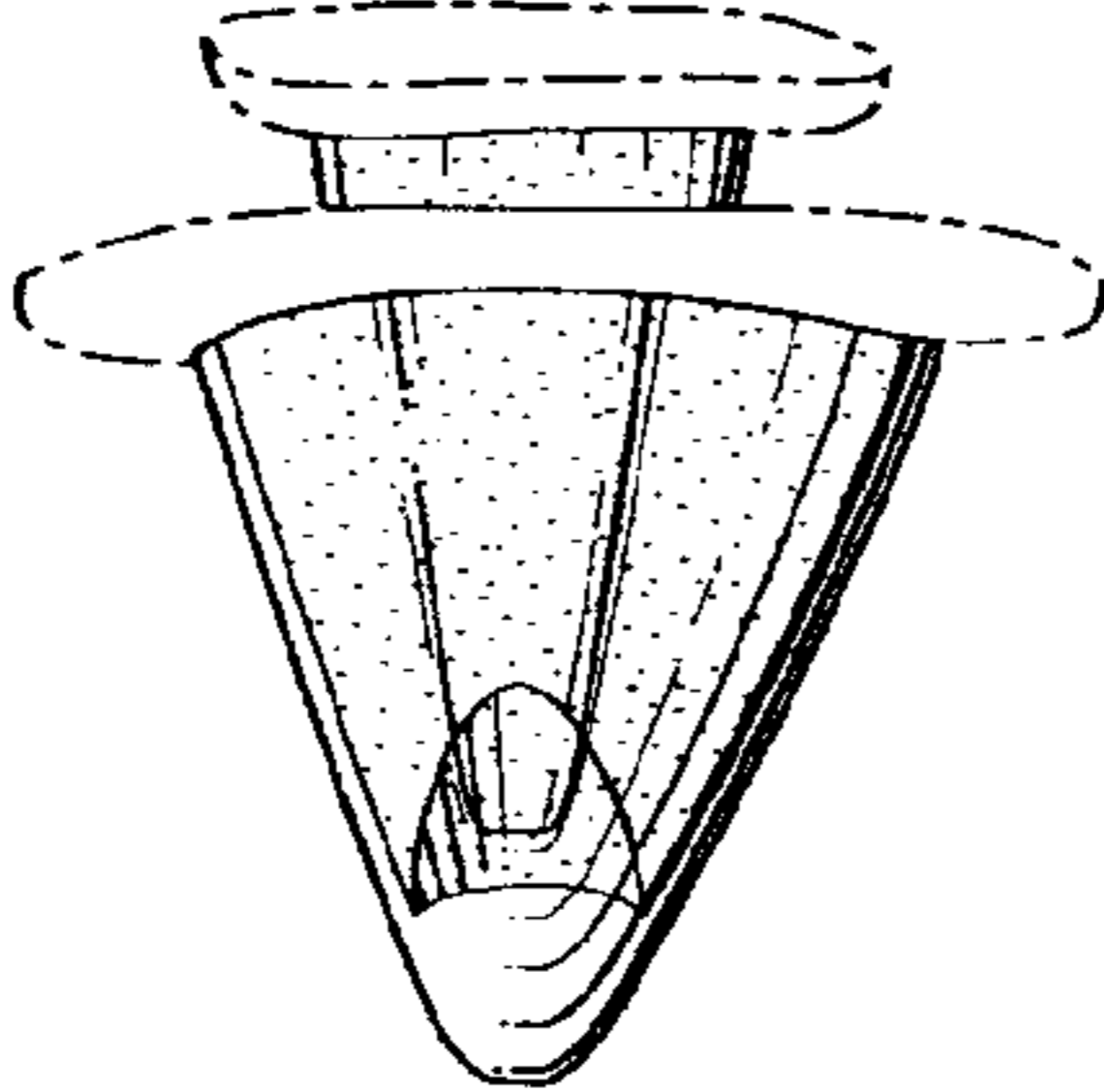


Fig-2

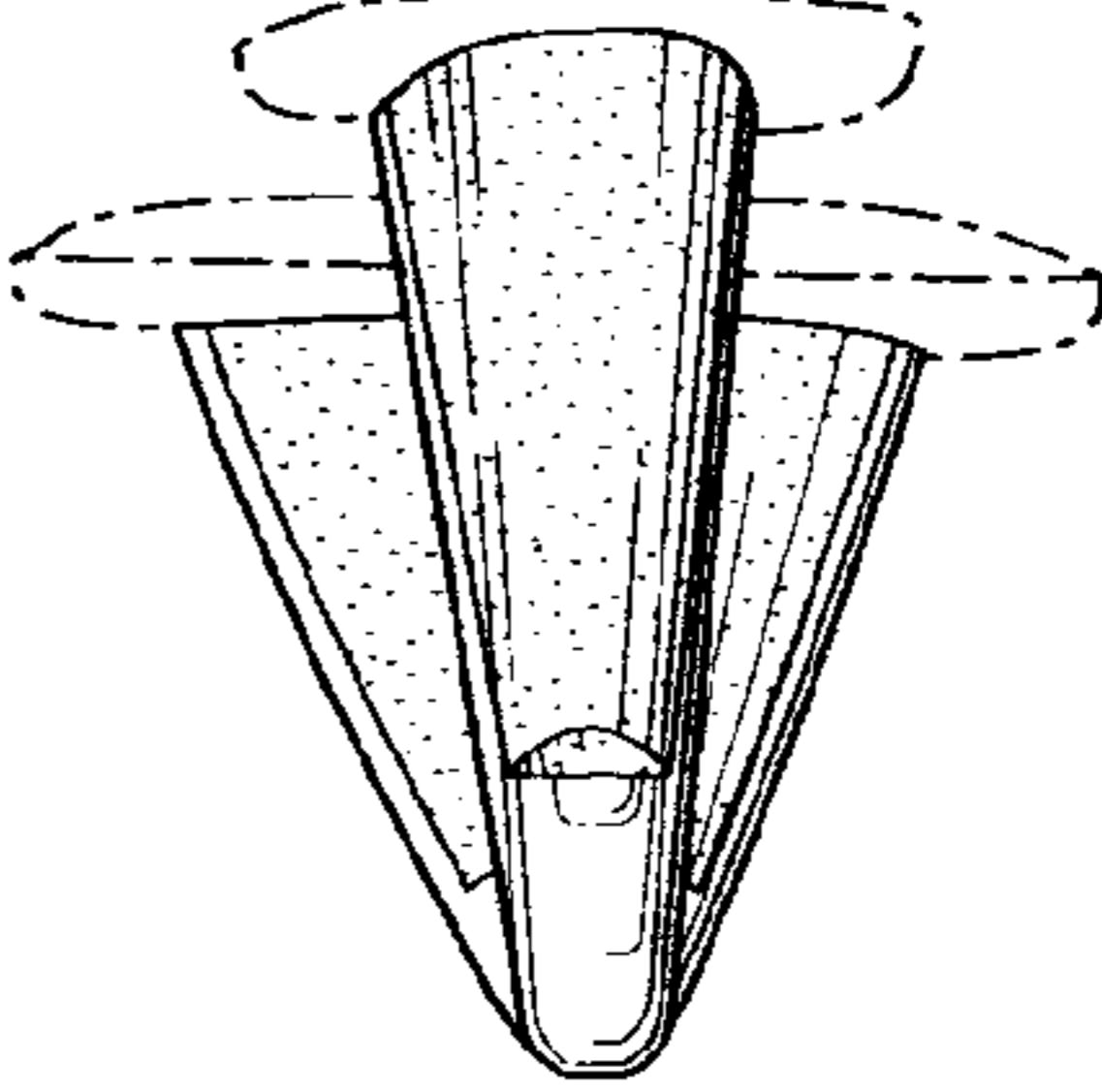


Fig-3

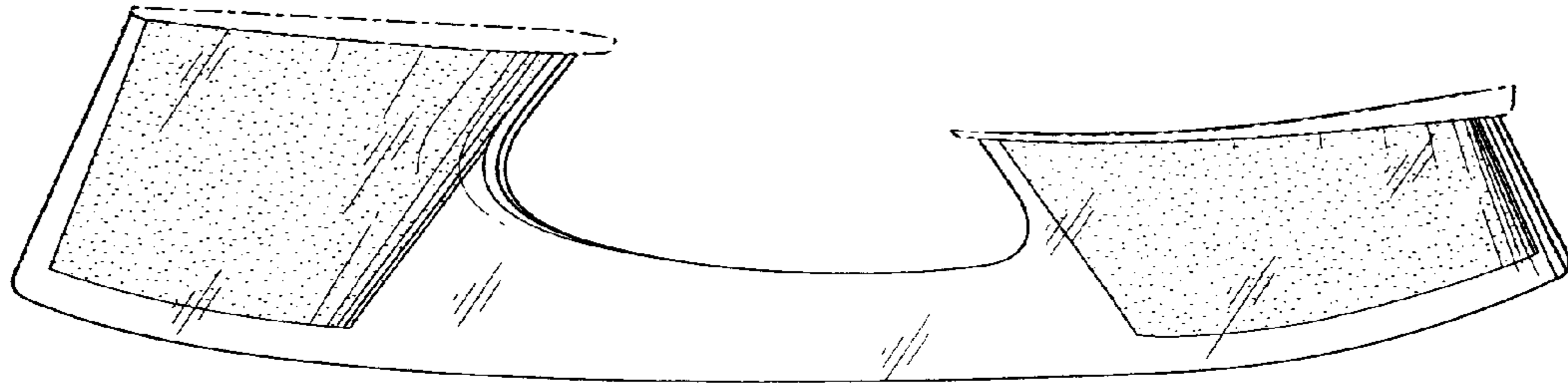


Fig-4

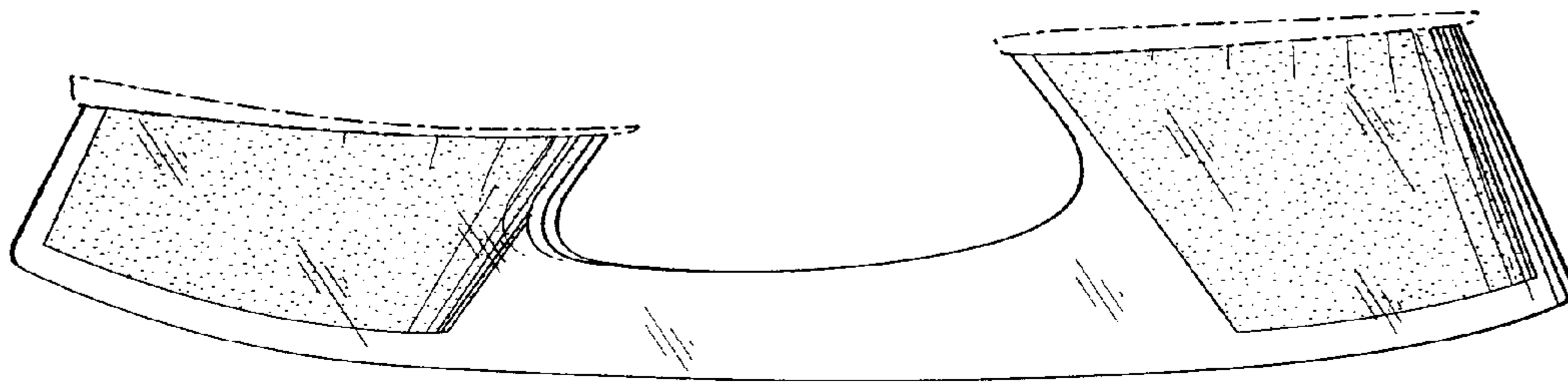


Fig-5

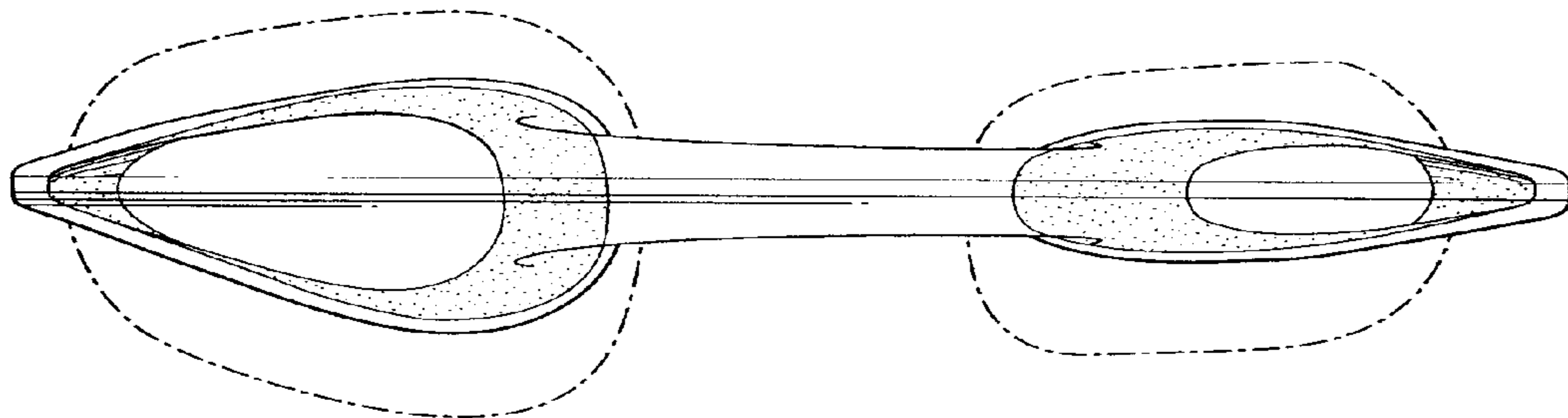


Fig-6

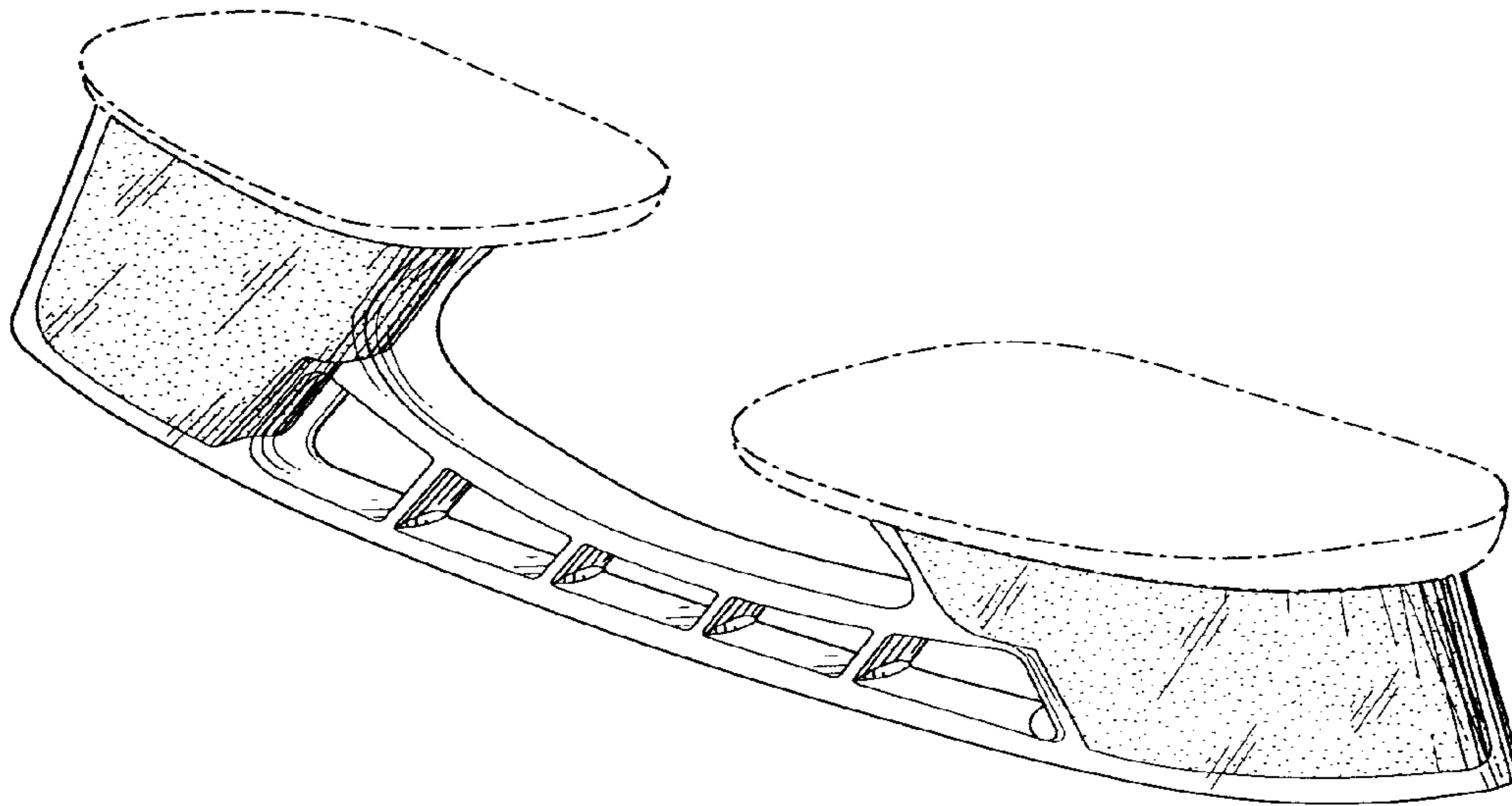


Fig-7

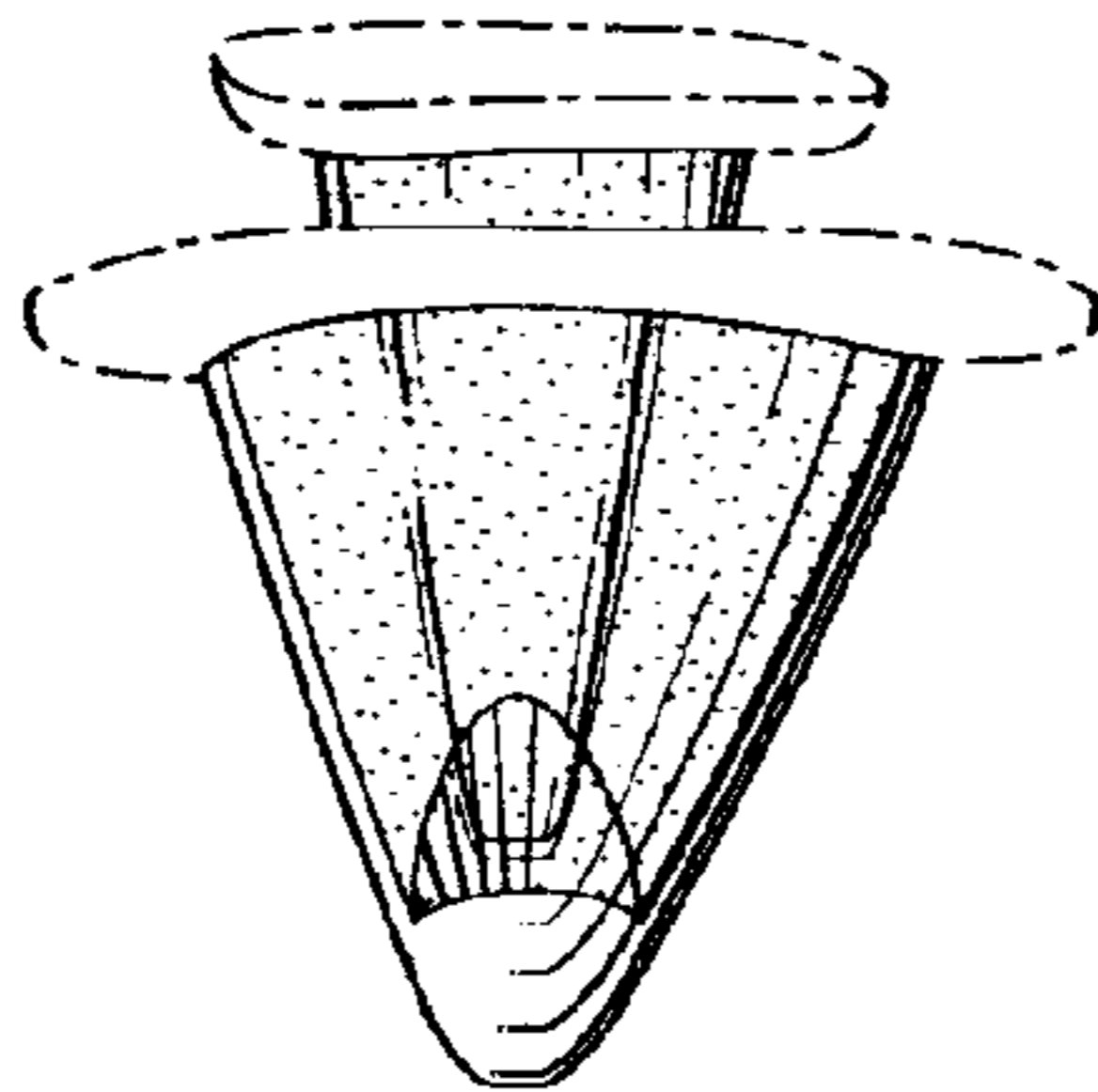


Fig-8

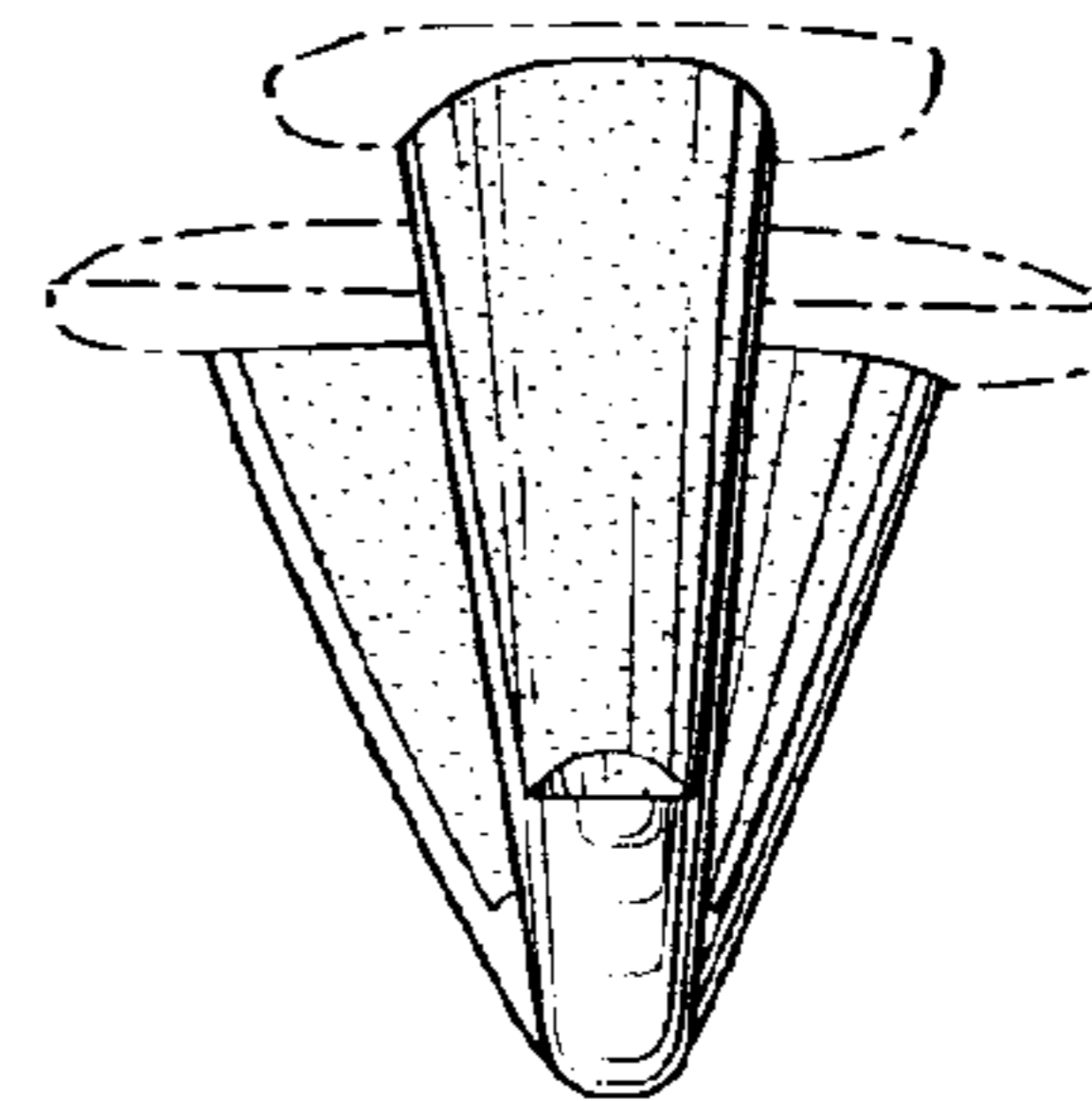


Fig-9

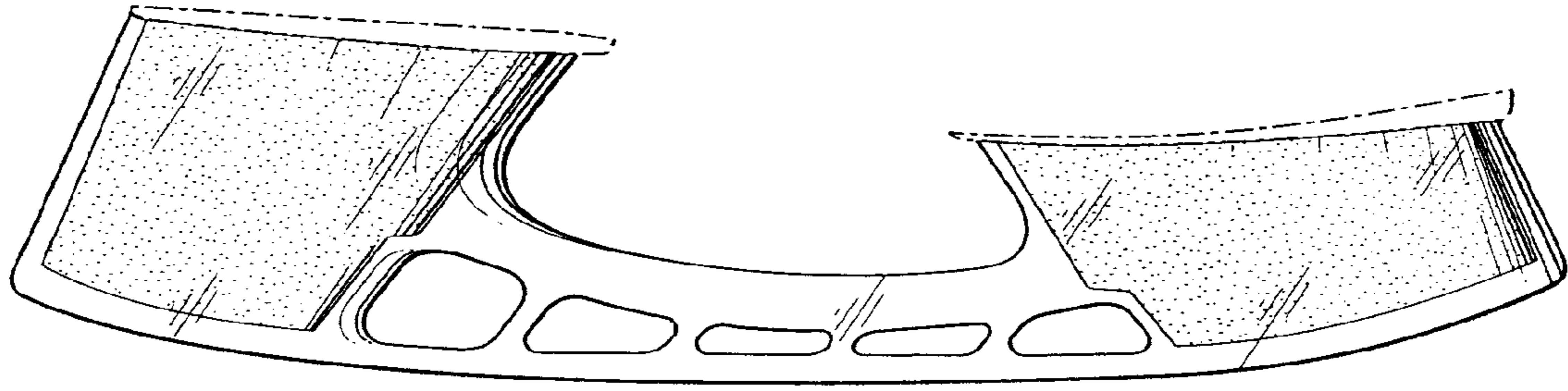


Fig-10

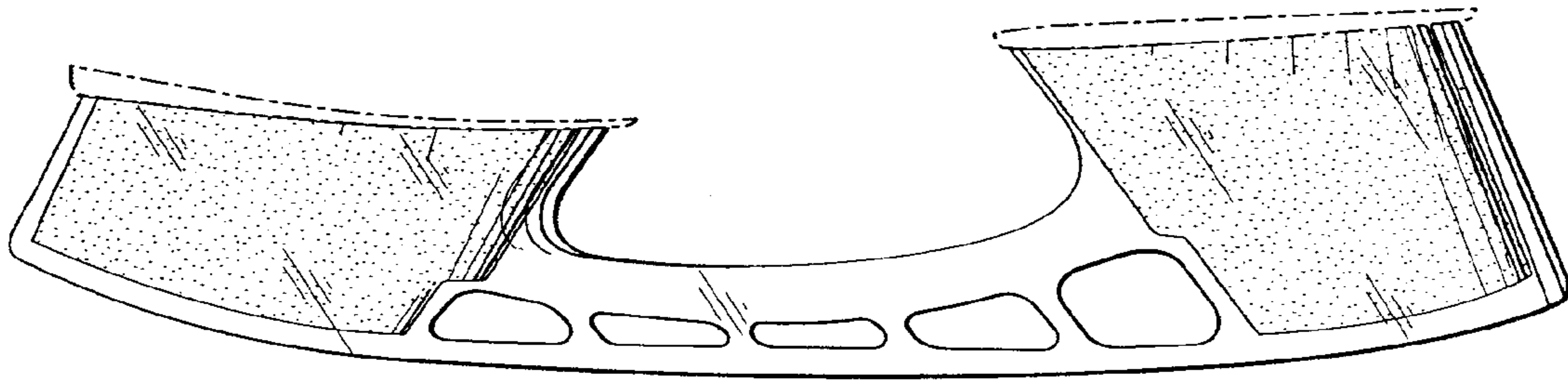


Fig-11

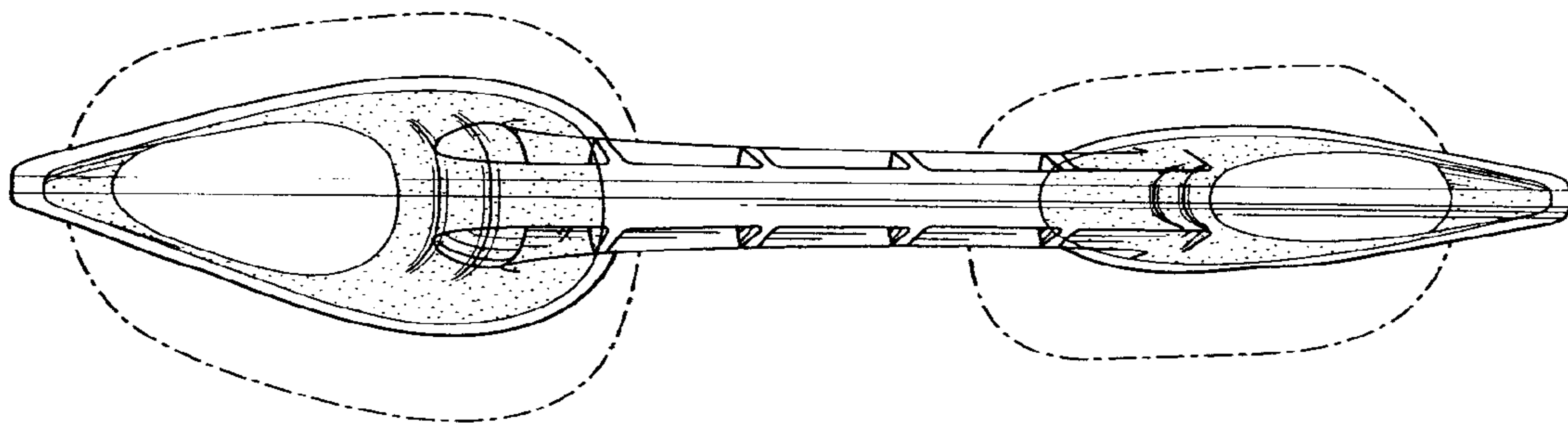


Fig-12