



US00D511320S

(12) **United States Design Patent** (10) **Patent No.:** **US D511,320 S**
Bucaccio et al. (45) **Date of Patent:** **** Nov. 8, 2005**

(54) **PERSONAL WATERCRAFT**

(75) Inventors: **Thomas A. Bucaccio**, Sebastian, FL
 (US); **Paul Bramel**, Palm Bay, FL
 (US); **Shannon G. Cassell**, Pickens, SC
 (US); **Louis Morasse**, Bromont (CA)

(73) Assignee: **Bombardier Recreational Products Inc.**, Valcourt (CA)

(**) Term: **14 Years**

(21) Appl. No.: **29/216,304**

(22) Filed: **Nov. 2, 2004**

(51) **LOC (8) Cl.** **12-06**

(52) **U.S. Cl.** **D12/307**

(58) **Field of Search** D12/300, 307,
 D12/316, 317; 114/55.5, 55.55, 55.56, 55.7,
 270, 271, 357, 380; 248/300

(56) **References Cited**

U.S. PATENT DOCUMENTS

- D286,629 S * 11/1986 Suzuki et al. D12/307
 D287,846 S * 1/1987 Nishida D12/307
 D289,990 S * 5/1987 Suzuki et al. D12/307

- D306,279 S * 2/1990 Nakagawa D12/307
 D314,365 S * 2/1991 Nakagawa D12/307
 5,131,346 A * 7/1992 Ohta et al. 114/55.56
 D350,324 S * 9/1994 Miller D12/307
 D483,449 S * 12/2003 Shimizugami D23/307

* cited by examiner

Primary Examiner—Holly Baynham
Assistant Examiner—Cynthia M. Chin

(74) *Attorney, Agent, or Firm*—BRP Legal Services

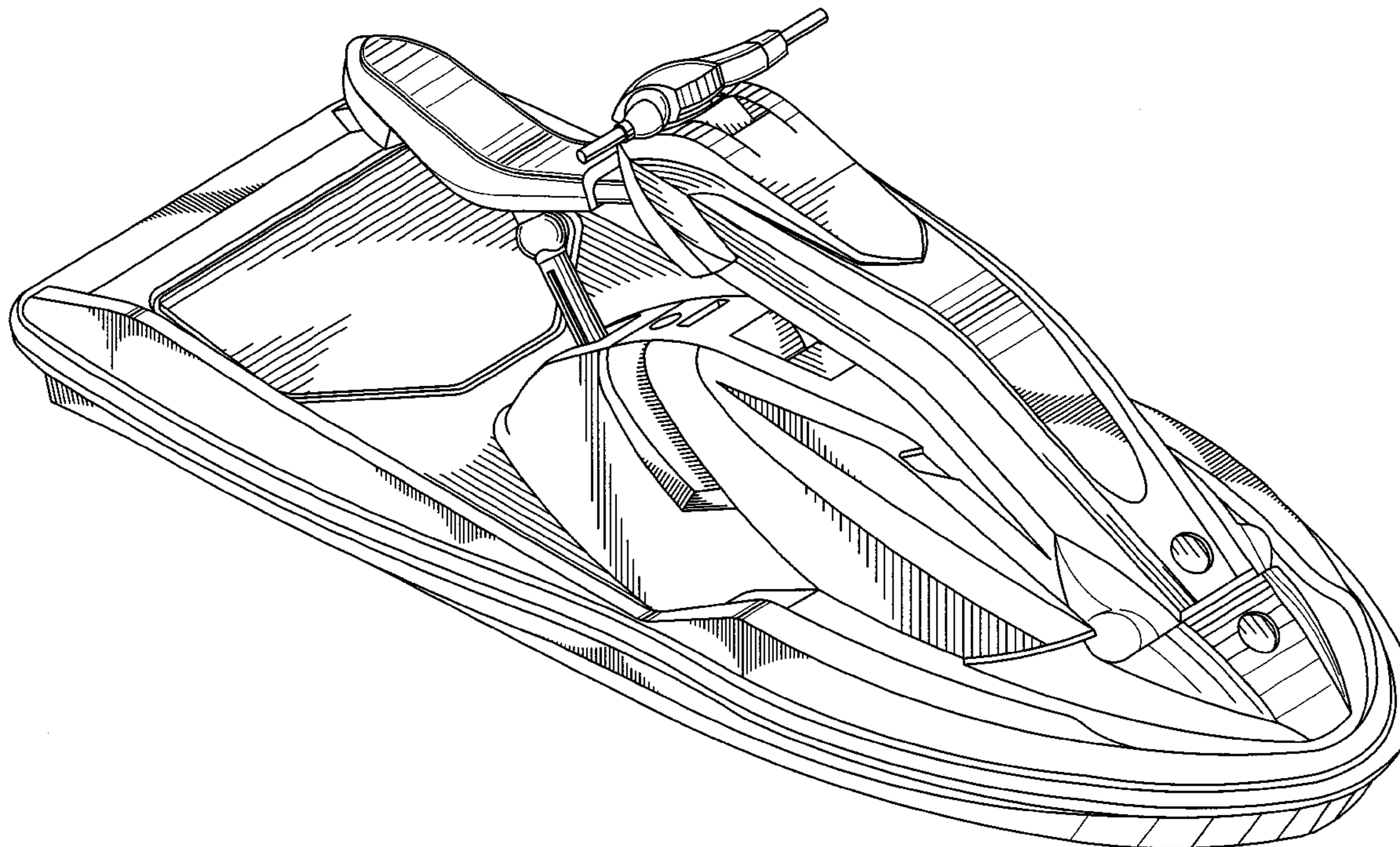
(57) **CLAIM**

The ornamental design for a personal watercraft, as shown and described.

DESCRIPTION

FIG. 1 is a front right perspective view of a seat for a personal watercraft according to our design; FIG. 2 is a front elevation view thereof; FIG. 3 is a rear elevation view thereof; FIG. 4 is a top plan view thereof; FIG. 5 is a bottom plan view thereof; FIG. 6 is a left side elevation view thereof; and, FIG. 7 is a right side elevation view thereof.

1 Claim, 6 Drawing Sheets



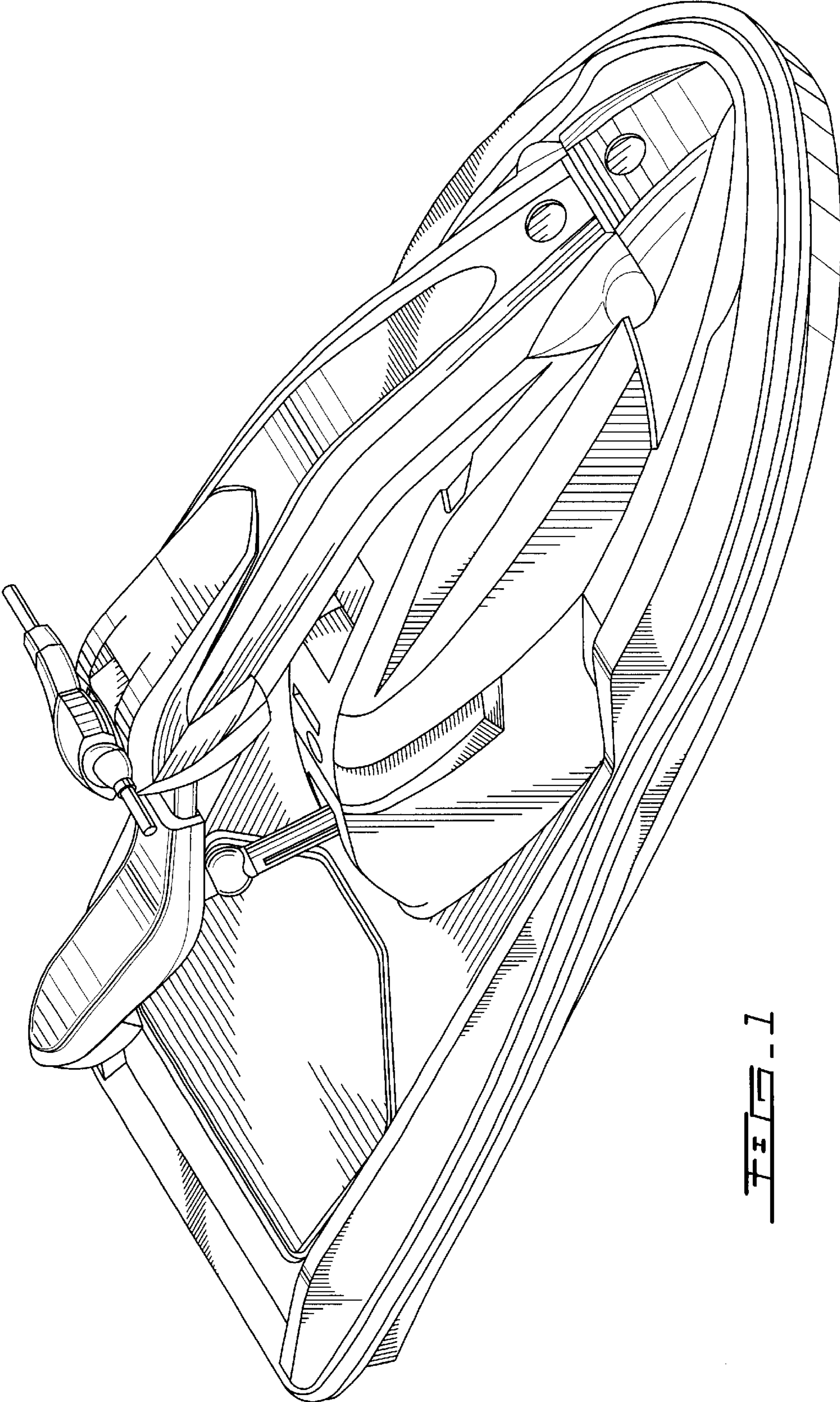


FIG. 1

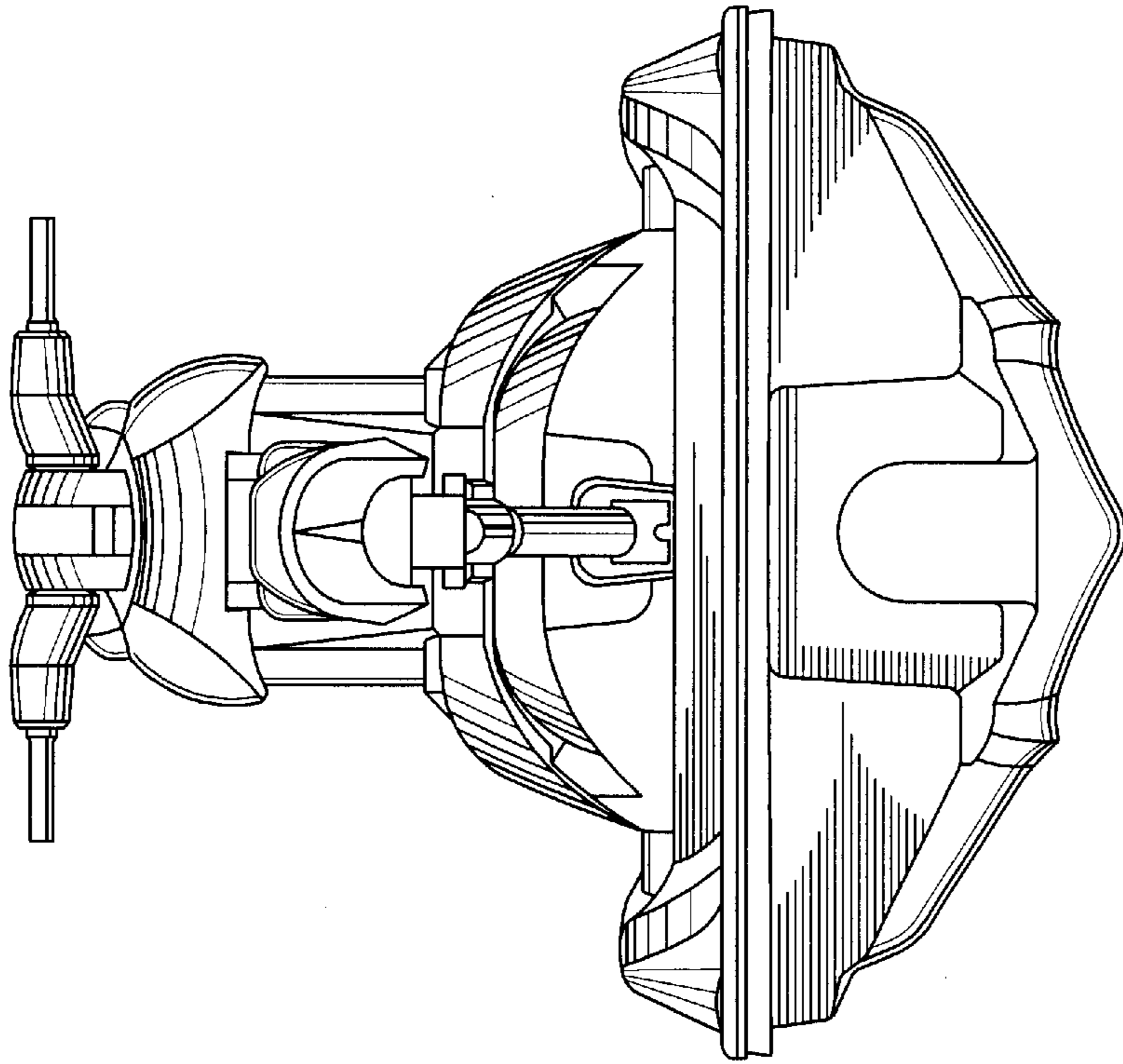


FIG. 1

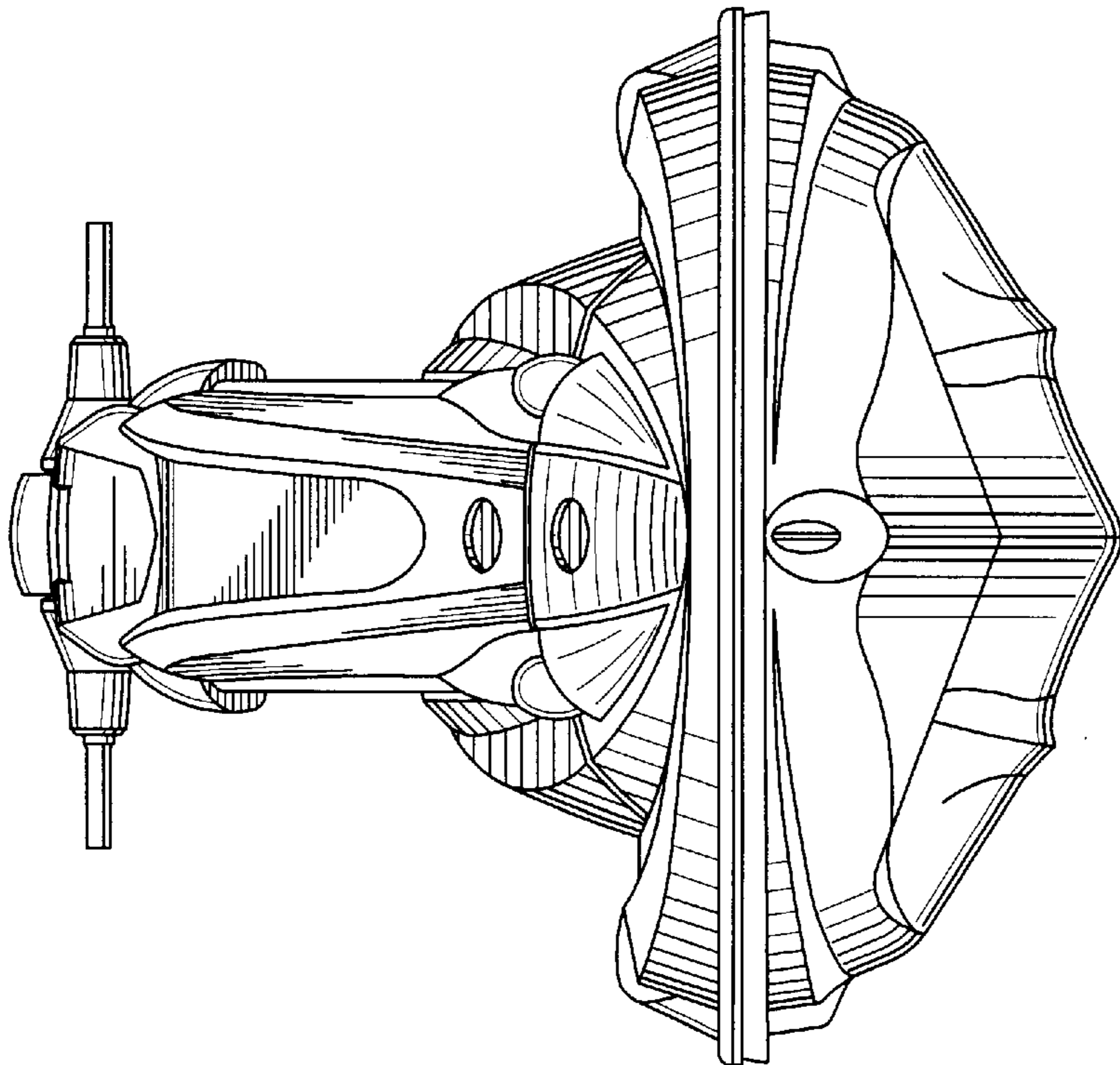


FIG. 2

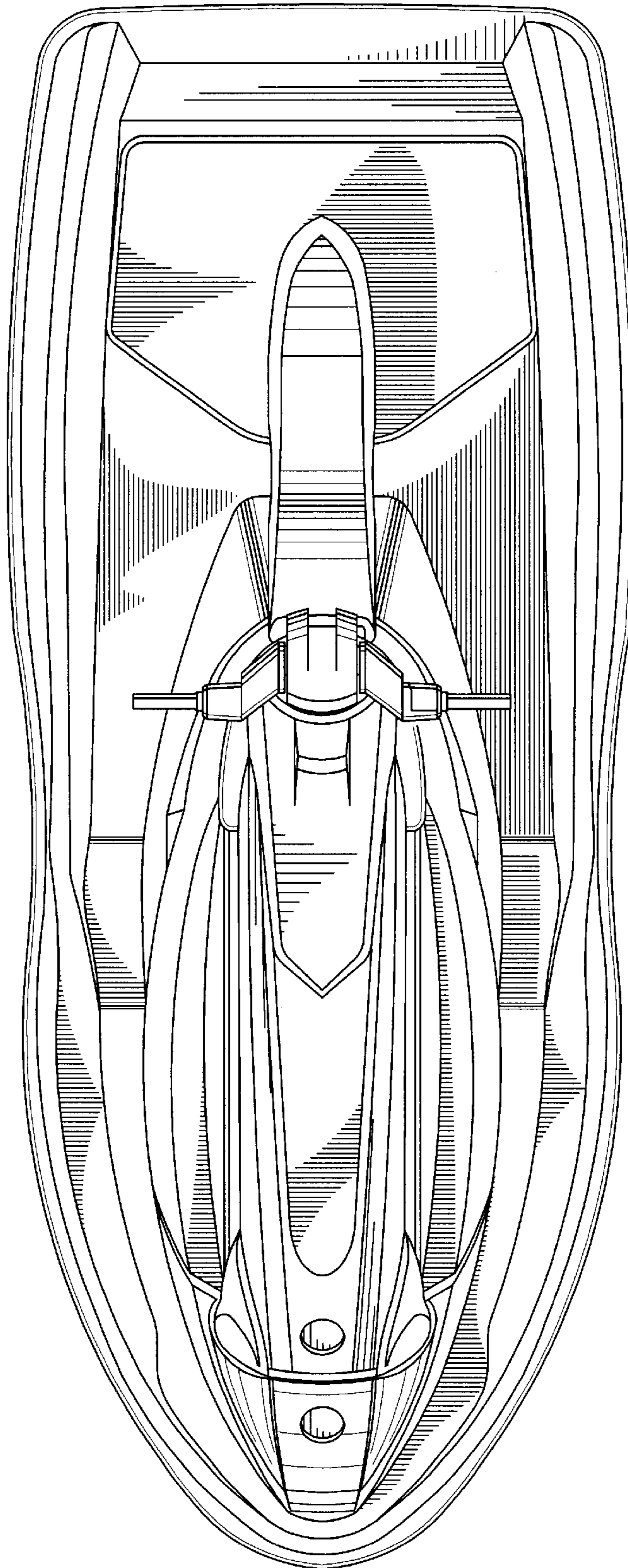


FIG. 4

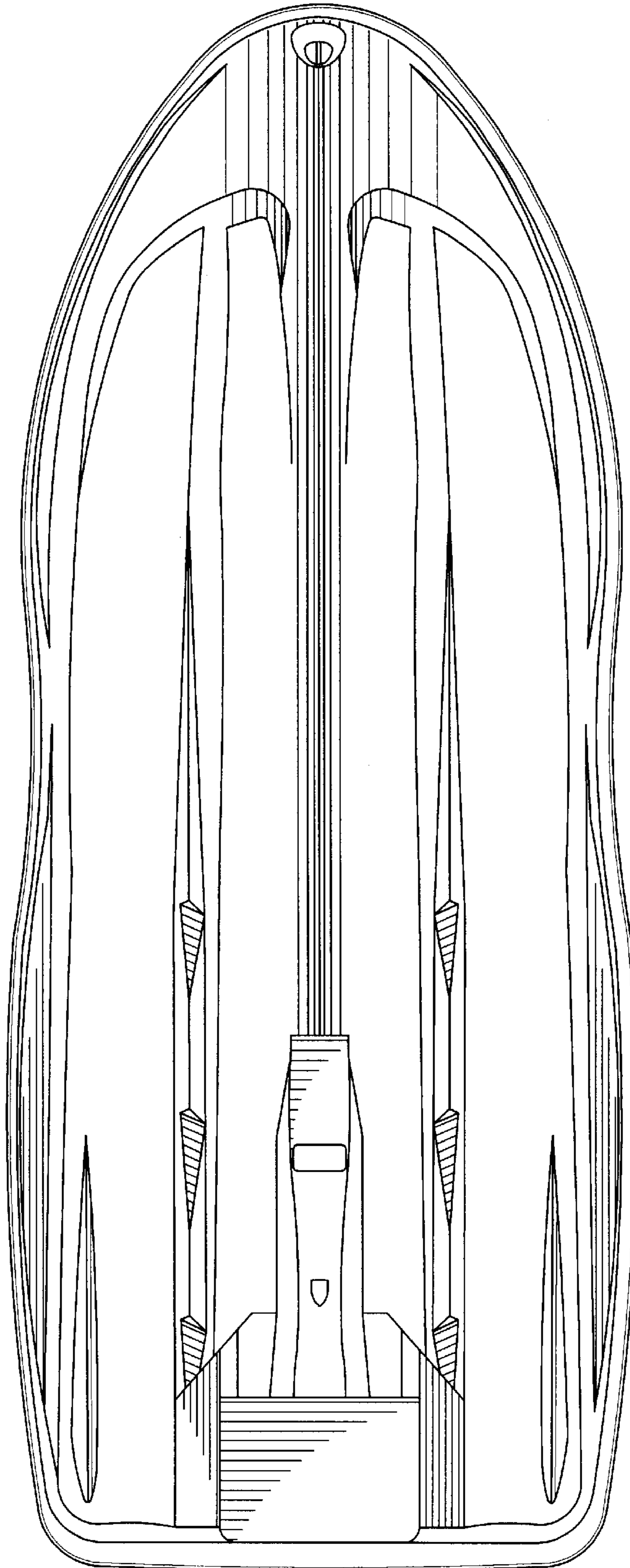


FIG. 5

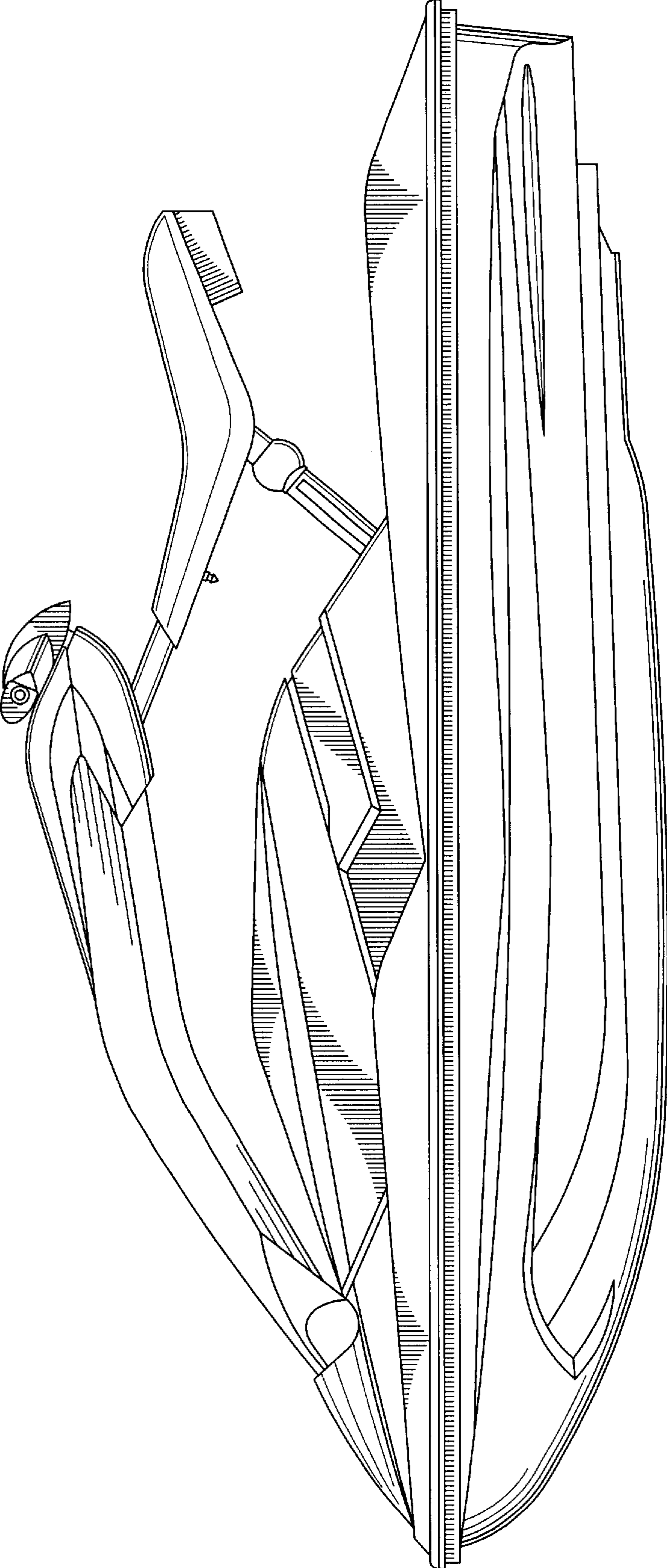


FIG. 6

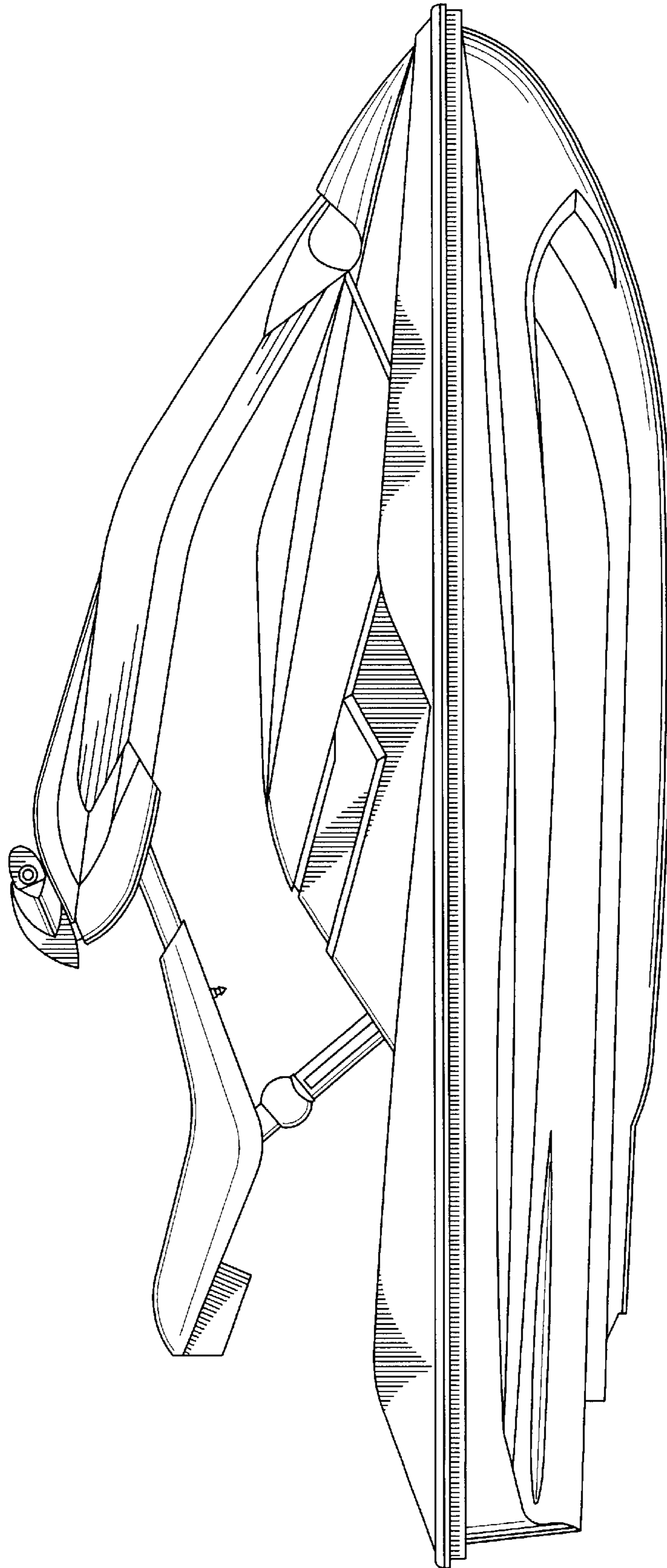


FIG. 7