



US00D511309S

(12) **United States Design Patent** (10) **Patent No.:** **US D511,309 S**
Hardy (45) **Date of Patent:** **** Nov. 8, 2005**

(54) **RING**

6,532,765 B1 * 3/2003 Hurwitz 63/26
D473,155 S * 4/2003 Bonnet D11/26

(75) Inventor: **Théodora Hardy**, Paris (FR)

OTHER PUBLICATIONS

(73) Assignee: **Cartier International B.V.**, Amsterdam (NL)

The New York Times newspaper, Section A, p. 2; Apr. 27, 1997; Van Cleef & Arpels advertisement for wedding band; (1 page).*

(**) Term: **14 Years**

Gold and Fine Stones Rings specification page; Rec (2 pages).*

(21) Appl. No.: **29/189,677**

Post card of an assortment of rings; (1 page).*

(22) Filed: **Sep. 10, 2003**

* cited by examiner

(30) **Foreign Application Priority Data**

Mar. 20, 2003 (WO) DM/063200

Primary Examiner—Cathy Anne MacCormac

(74) *Attorney, Agent, or Firm*—Oliff & Berridge, PLC

(51) **LOC (8) Cl.** **11-01**

(57) **CLAIM**

(52) **U.S. Cl.** **D11/26; D11/35**

The ornamental design for a ring, as shown and described.

(58) **Field of Search** D11/26-39, 3-4, D11/89-92; 63/15, 15.1, 15.2-15.3, 15.4, 15.5-15.6, 15.65, 15.7-15.8, 15.9, 26, 27-28, 3, 14.1; 606/204

DESCRIPTION

(56) **References Cited**

U.S. PATENT DOCUMENTS

D61,921 S * 2/1923 Peters D11/35
2,413,541 A * 12/1946 Brady 63/3
D293,561 S * 1/1988 Bulgari D11/3
D392,585 S * 3/1998 Kohl D11/26
D431,792 S * 10/2000 Ferreira D11/26

FIG. 1 is a perspective view of a ring;

FIG. 2 is a top view thereof;

FIG. 3 is a bottom view thereof;

FIG. 4 is a front view thereof, the rear view being identical; and,

FIG. 5 is a side view thereof, the opposite side view being identical.

1 Claim, 1 Drawing Sheet

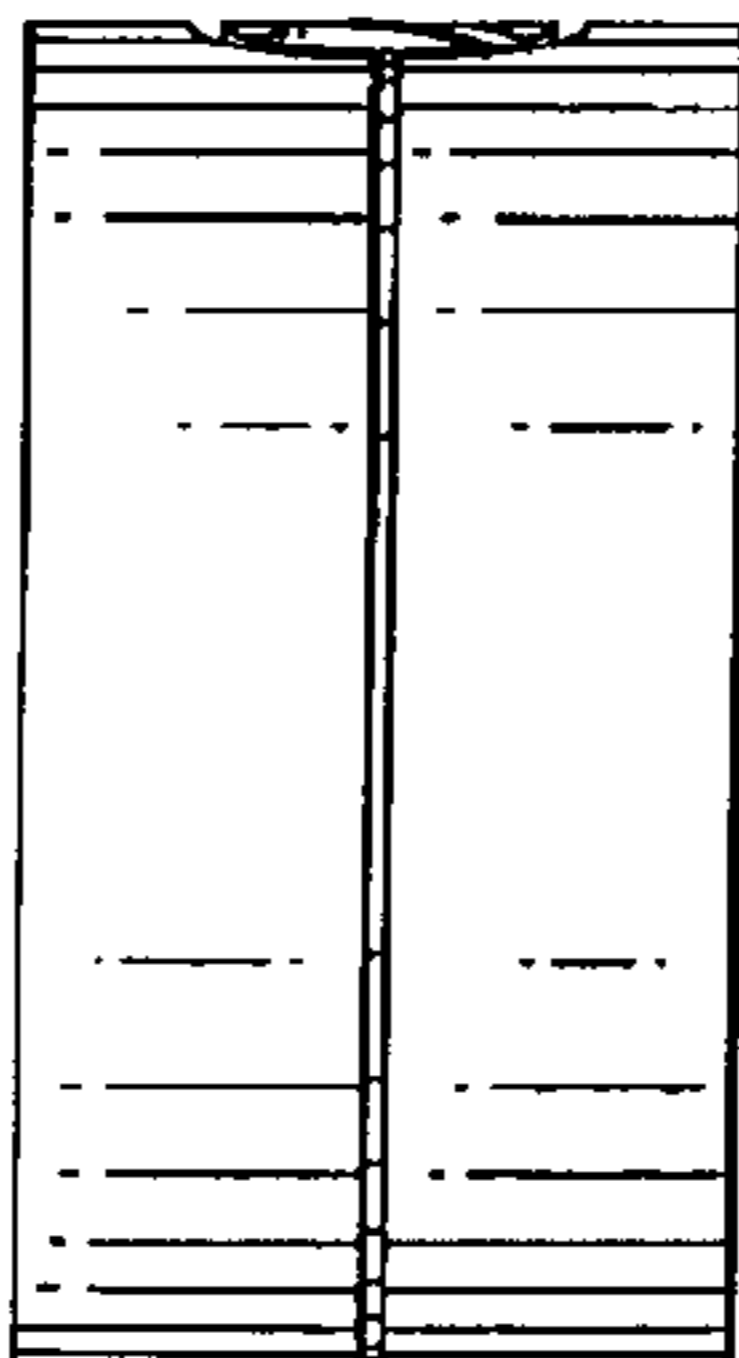
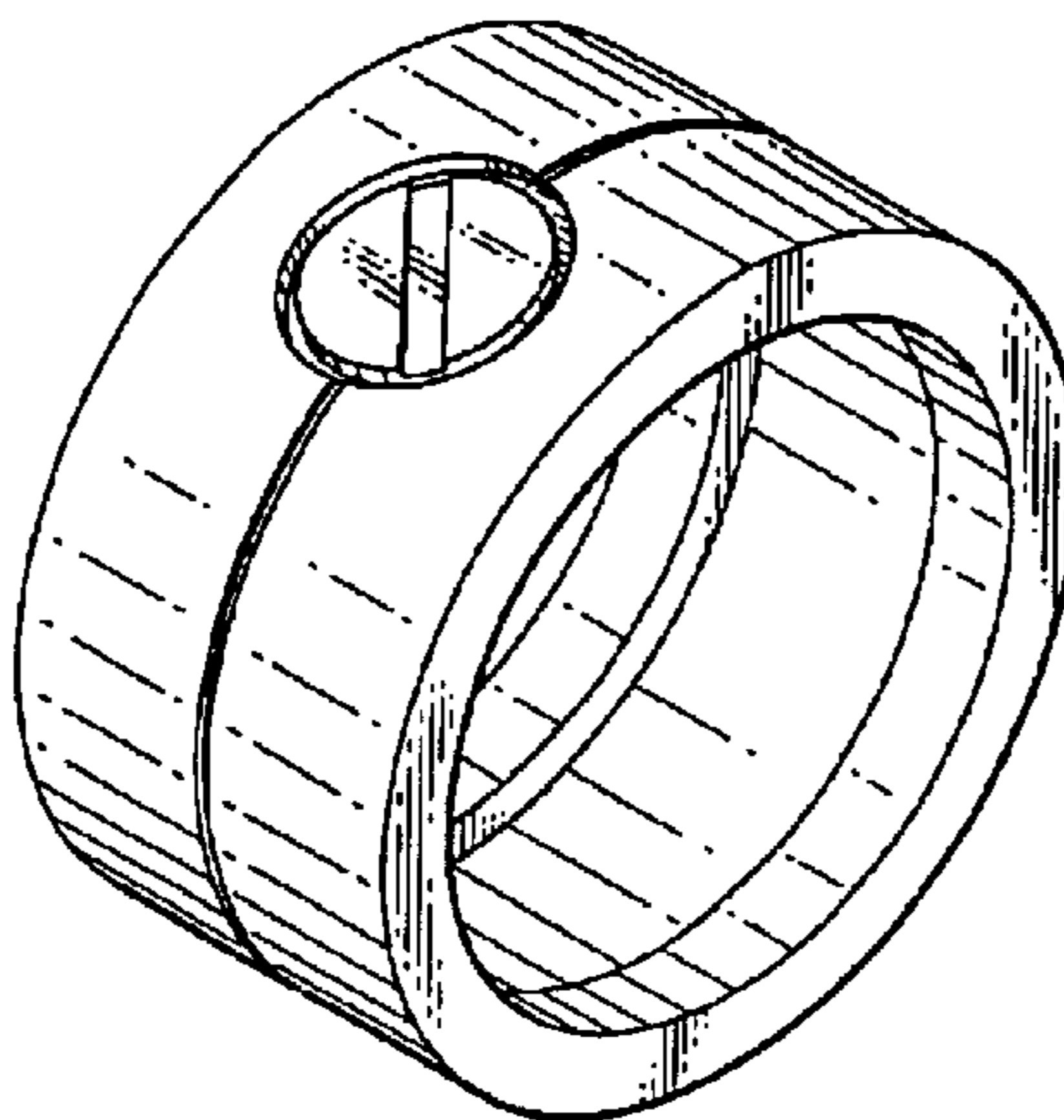


Fig. 1

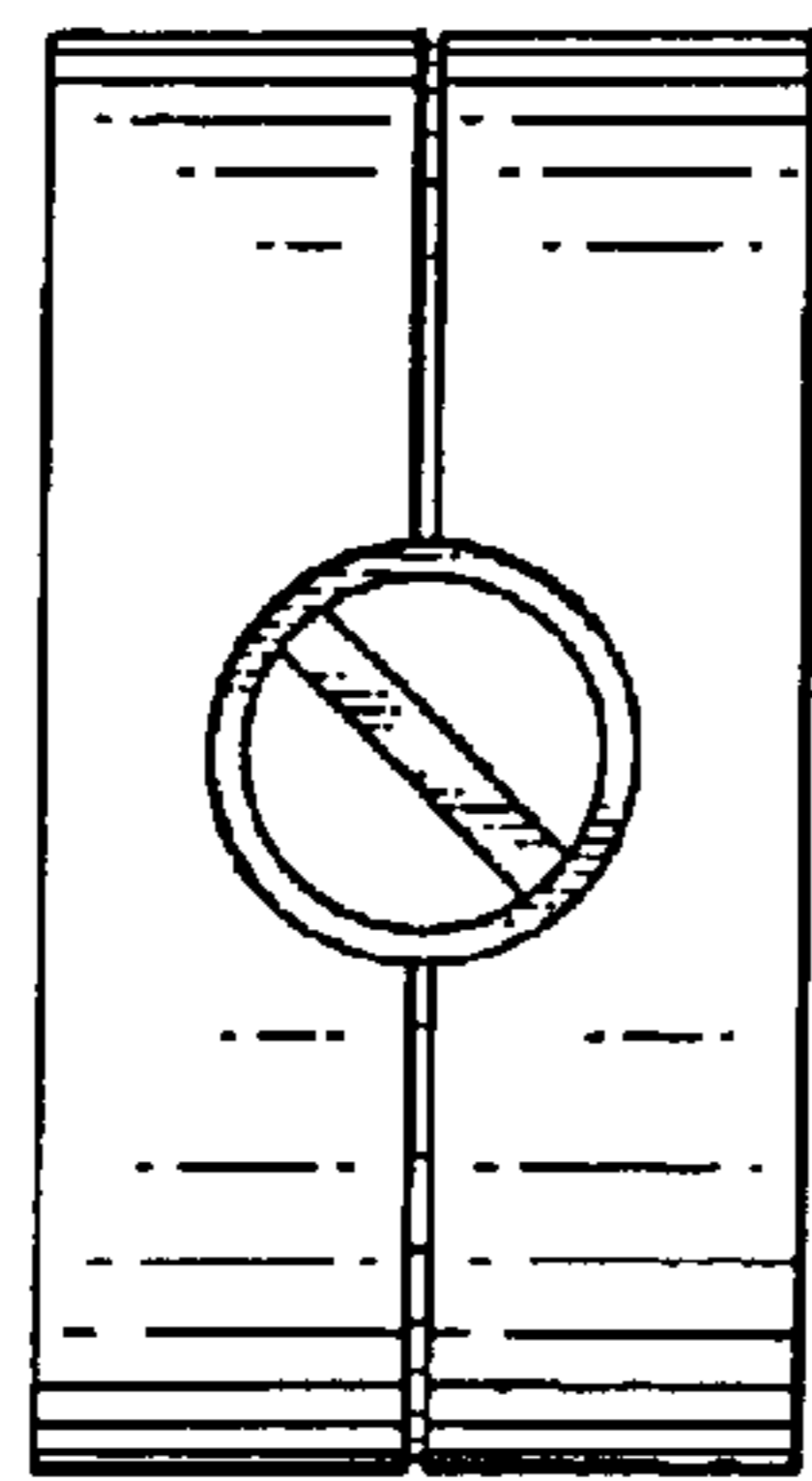
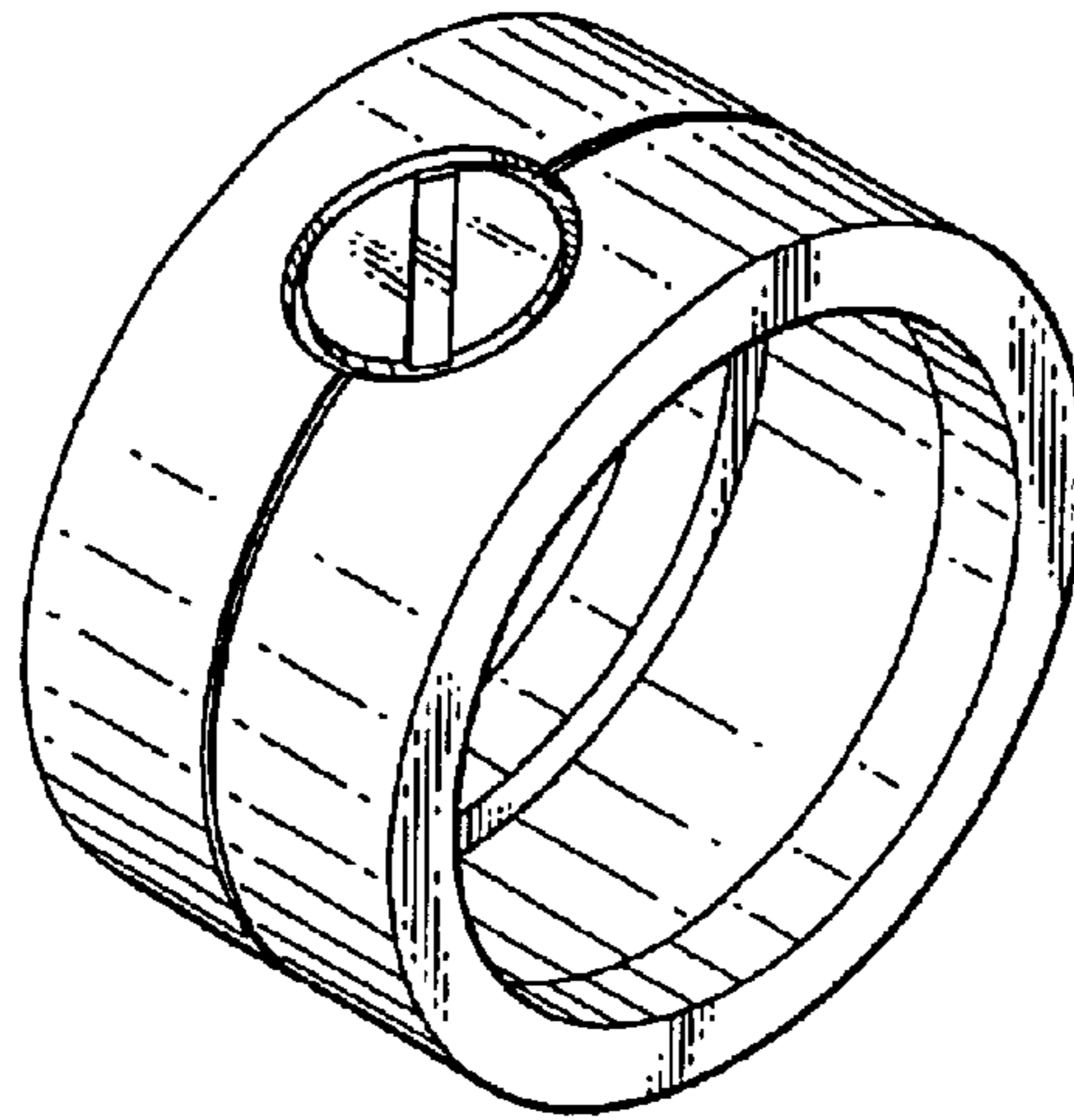


Fig. 2

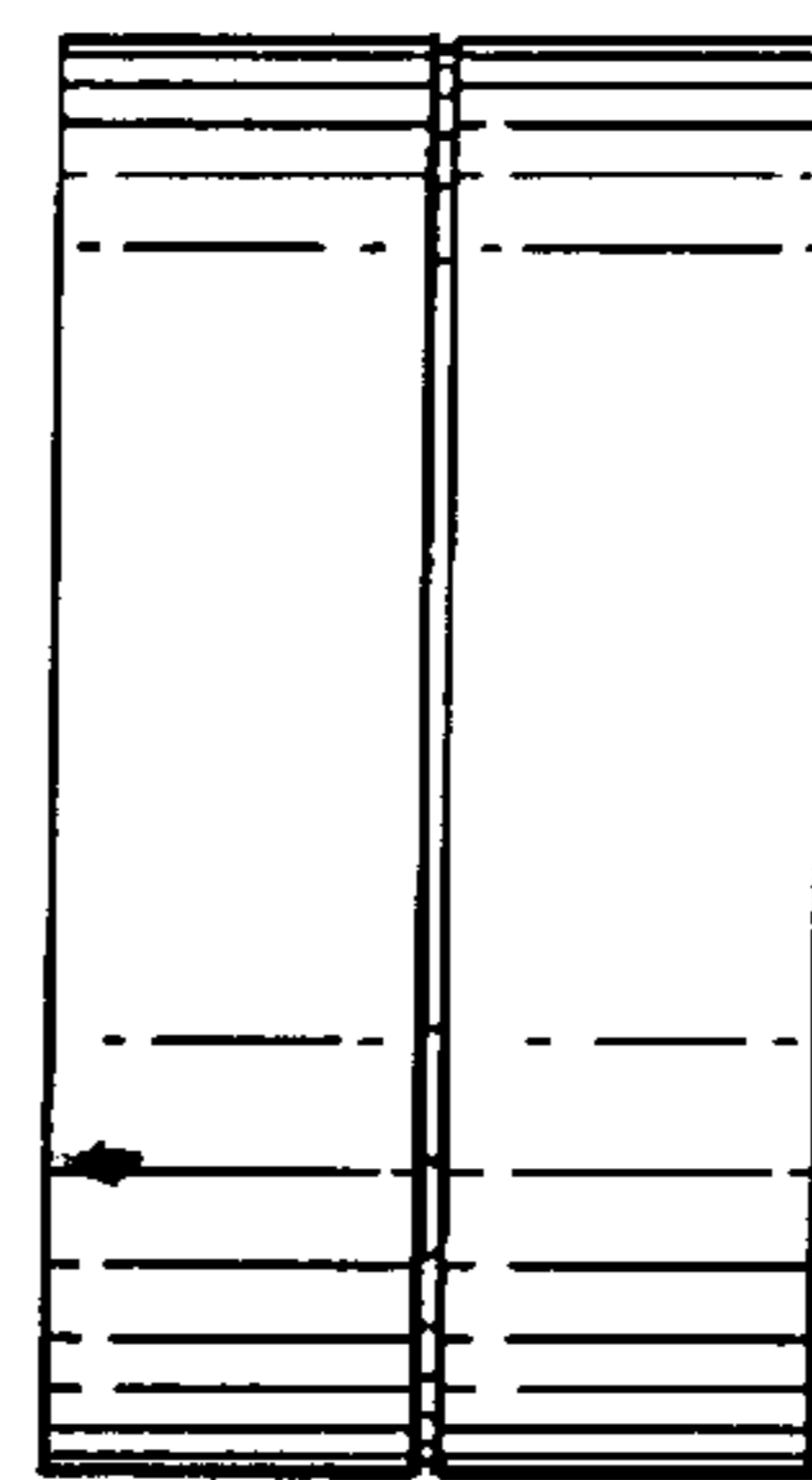


Fig. 3

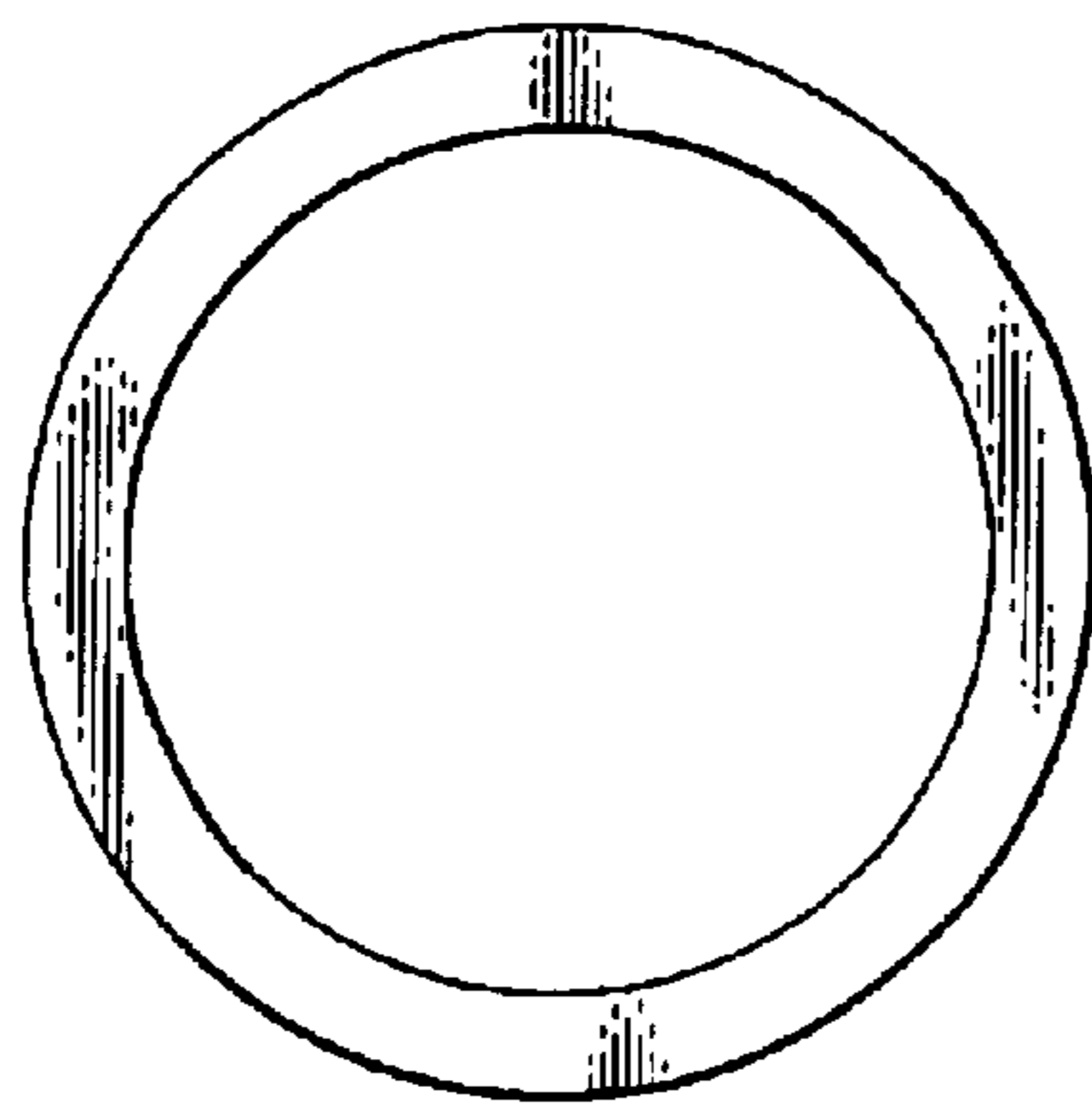


Fig. 4

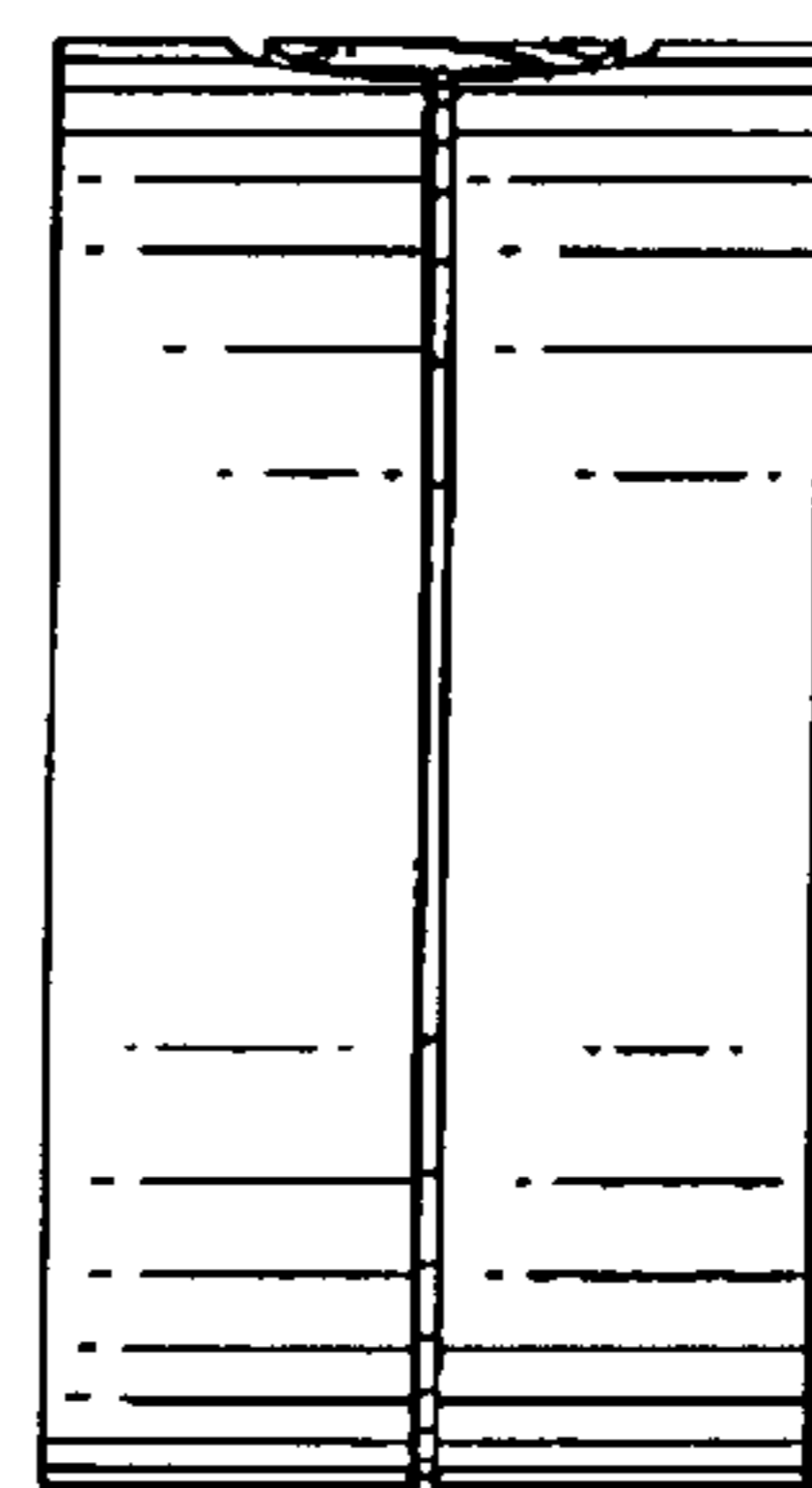


Fig. 5