



US00D511307S

(12) **United States Design Patent** (10) **Patent No.:** **US D511,307 S**  
**Cowan et al.** (45) **Date of Patent:** **\*\* Nov. 8, 2005**

(54) **AIR CONDITIONER PRESSURE GAUGE AND CHARGING ADAPTER**

(74) *Attorney, Agent, or Firm*—Levisohn, Berger & Langsam, LLP

(75) Inventors: **David M. Cowan**, Brooklyn, NY (US);  
**Jochen Shapers**, New York, NY (US)

(57) **CLAIM**

The ornamental design for an air conditioner pressure gauge and charging adapter, substantially as shown and described.

(73) Assignee: **Interdynamics, Inc.**, Tarrytown, NY (US)

**DESCRIPTION**

(\*\*) Term: **14 Years**

FIG. 1 is a front left perspective view of the air conditioner pressure gauge and charging adapter according to the invention.

(21) Appl. No.: **29/198,657**

FIG. 2 is a front elevation view of the air conditioner pressure gauge and charging adapter according to the invention.

(22) Filed: **Feb. 2, 2004**

(51) **LOC (8) Cl.** ..... **10-04**

FIG. 3 is a rear elevation view of the air conditioner pressure gauge and charging adapter according to the invention.

(52) **U.S. Cl.** ..... **D10/85**

(58) **Field of Search** ..... D10/85, 86; 73/1.66,  
73/37, 115, 146.8, 708, 712, 714, 732,  
733, 744, 756; 116/272, 335; 346/3; 374/143

FIG. 4 is a right elevation view of the air conditioner pressure gauge and charging adapter according to the invention.

(56) **References Cited**

**U.S. PATENT DOCUMENTS**

2,620,656	A	*	12/1952	Peterson	.....	73/756
2,745,286	A	*	5/1956	Schlaich et al.	.....	73/712
3,557,602	A	*	1/1971	Franz	.....	73/1.66
4,085,611	A	*	4/1978	Schwartz	.....	73/115
D251,371	S	*	3/1979	Schwartz	.....	D10/85
D263,125	S	*	2/1982	Taylor	.....	D10/85
4,638,671	A	*	1/1987	Yamamoto	.....	73/708
4,770,044	A	*	9/1988	Ferris	.....	73/744
4,858,467	A	*	8/1989	Weng	.....	73/146.8

FIG. 5 is a left elevation view of the air conditioner pressure gauge and charging adapter according to the invention.

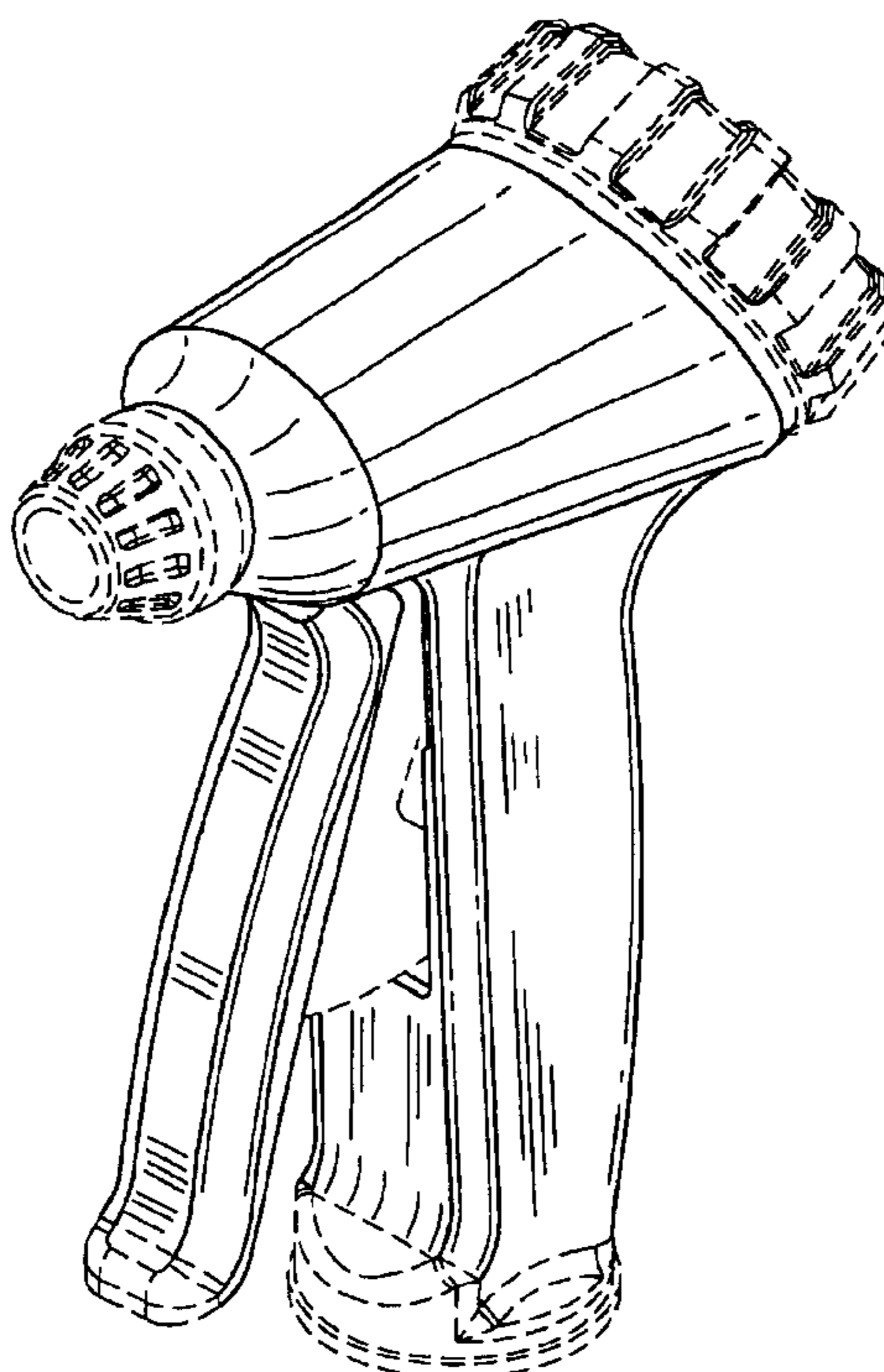
FIG. 6 is a top elevation view of the air conditioner pressure gauge and charging adapter according to the invention; and, FIG. 7 is a bottom elevation view of the air conditioner pressure gauge and charging adapter according to the invention.

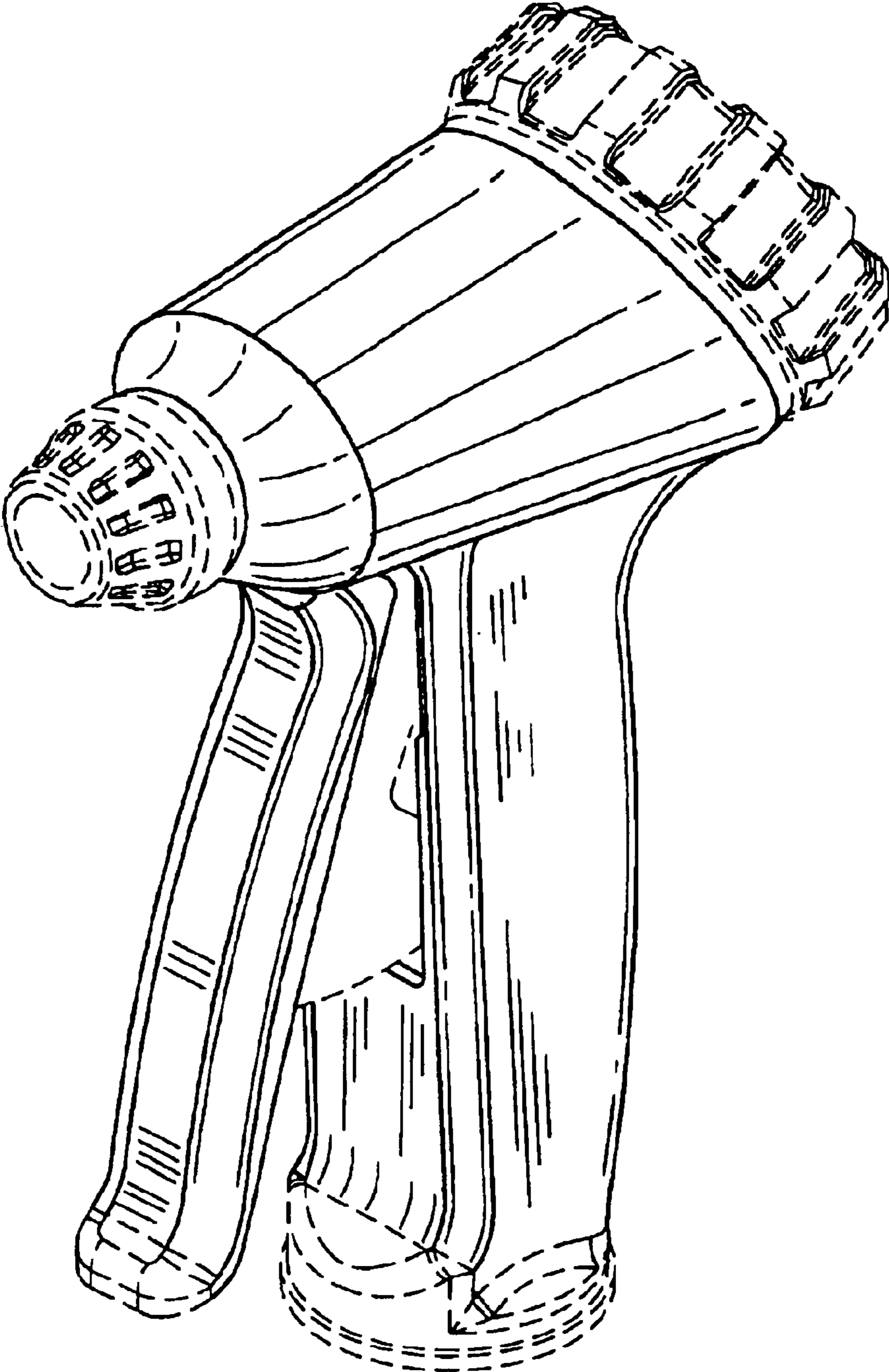
The broken line portions of the drawings, including the distal end of the lever (front), the blade underneath the lever, the gauge (rear), the air conditioner charging clamp (front), and the can attachment portion(bottom) are environmental and do not form part of the claimed design.

\* cited by examiner

*Primary Examiner*—Antoine D. Davis

**1 Claim, 7 Drawing Sheets**





*FIG. 1*

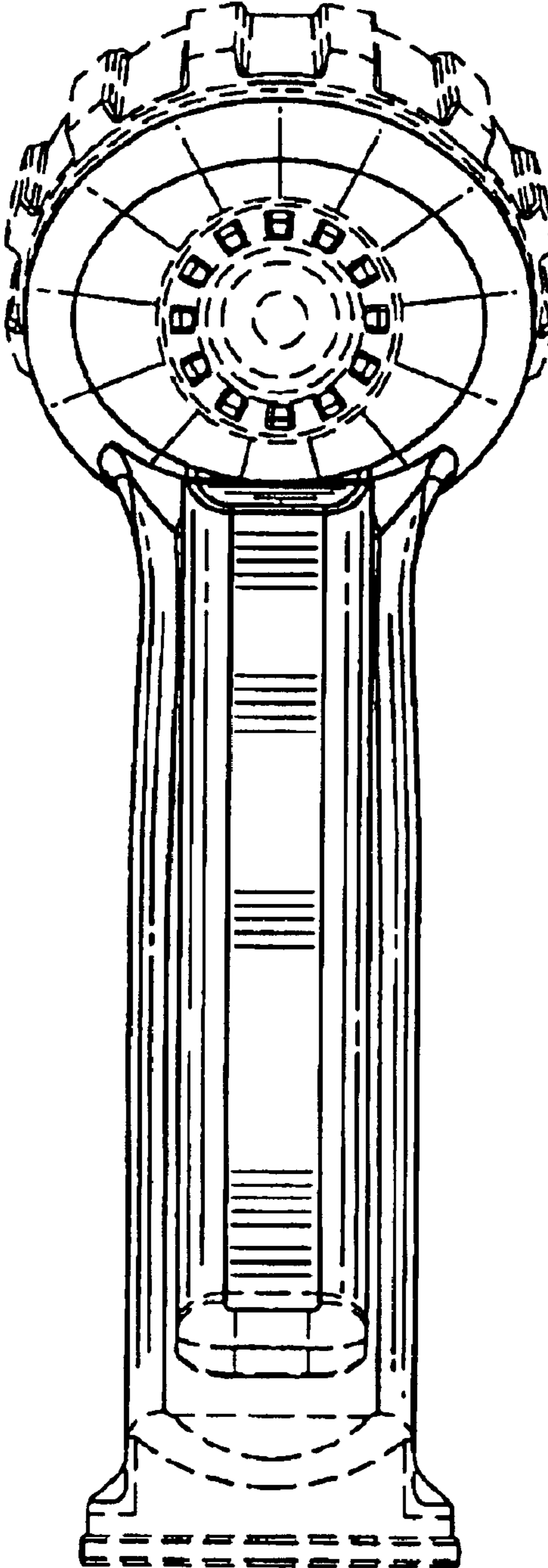
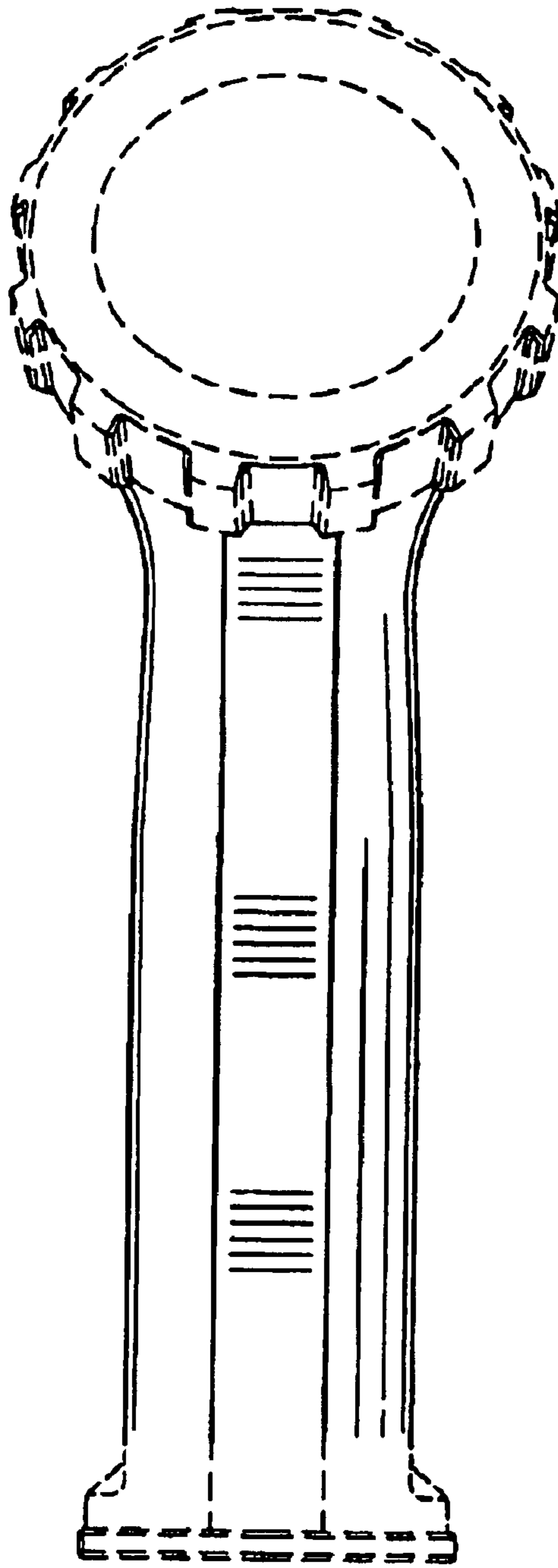
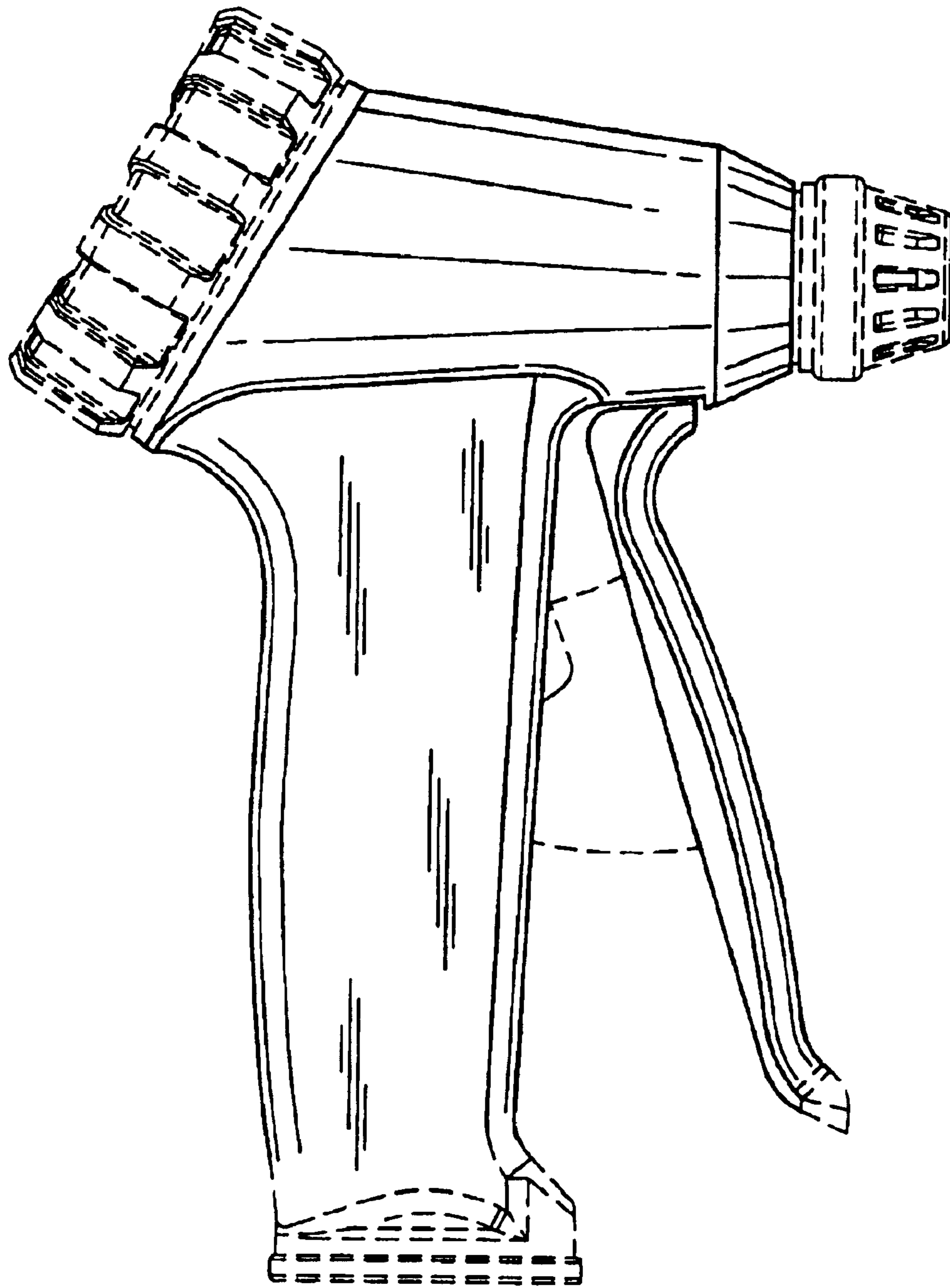


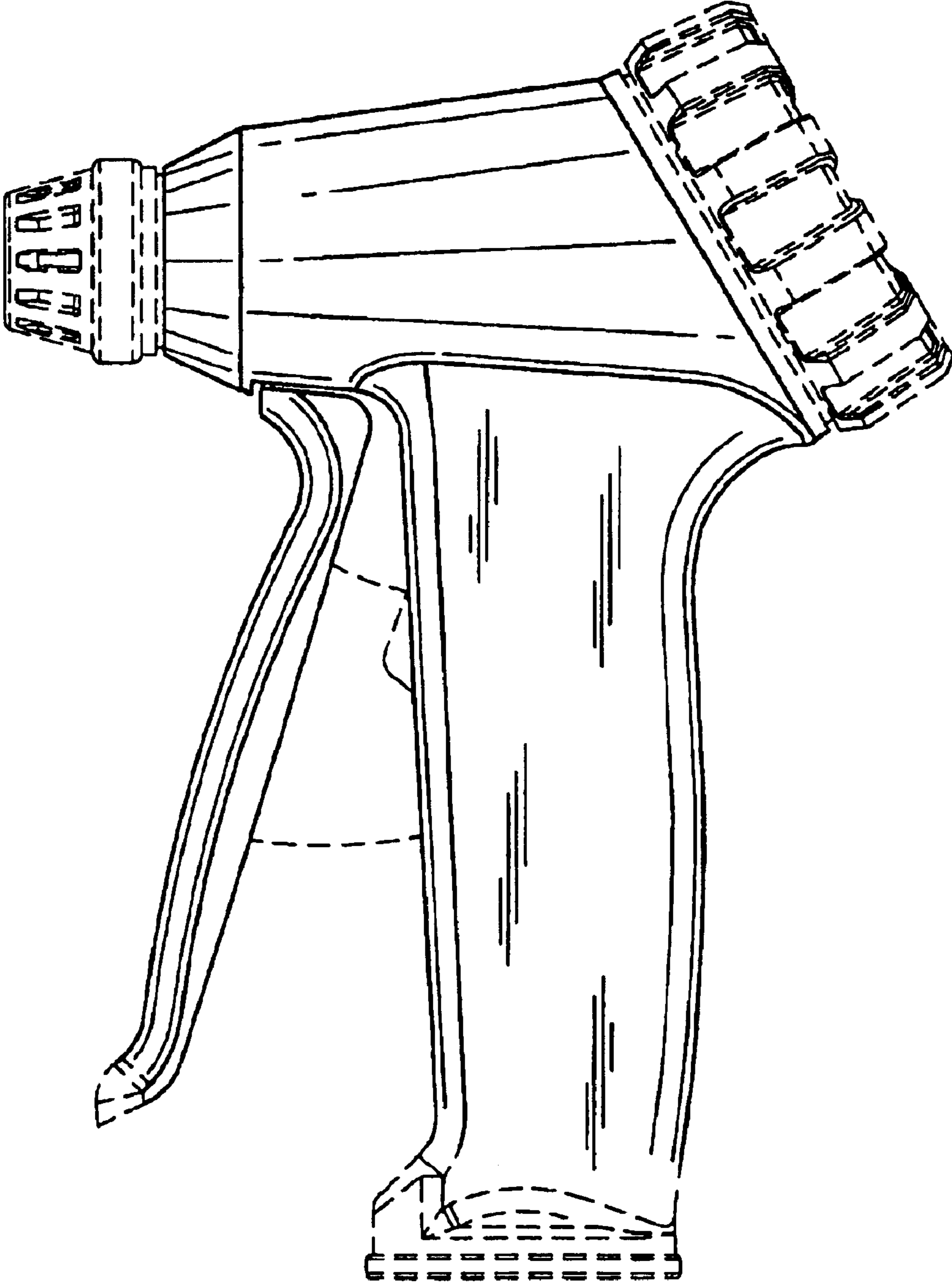
FIG. 2



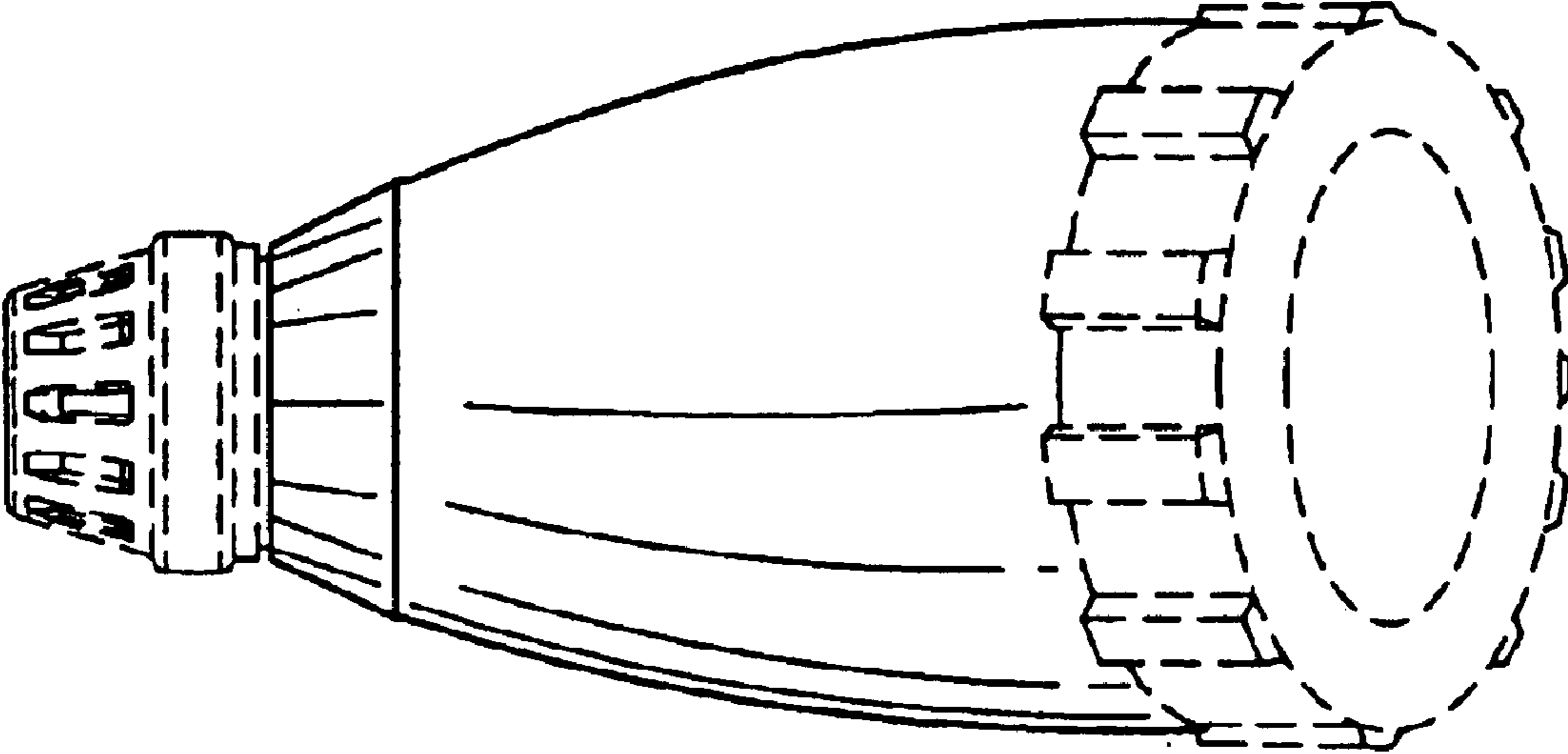
*FIG. 3*



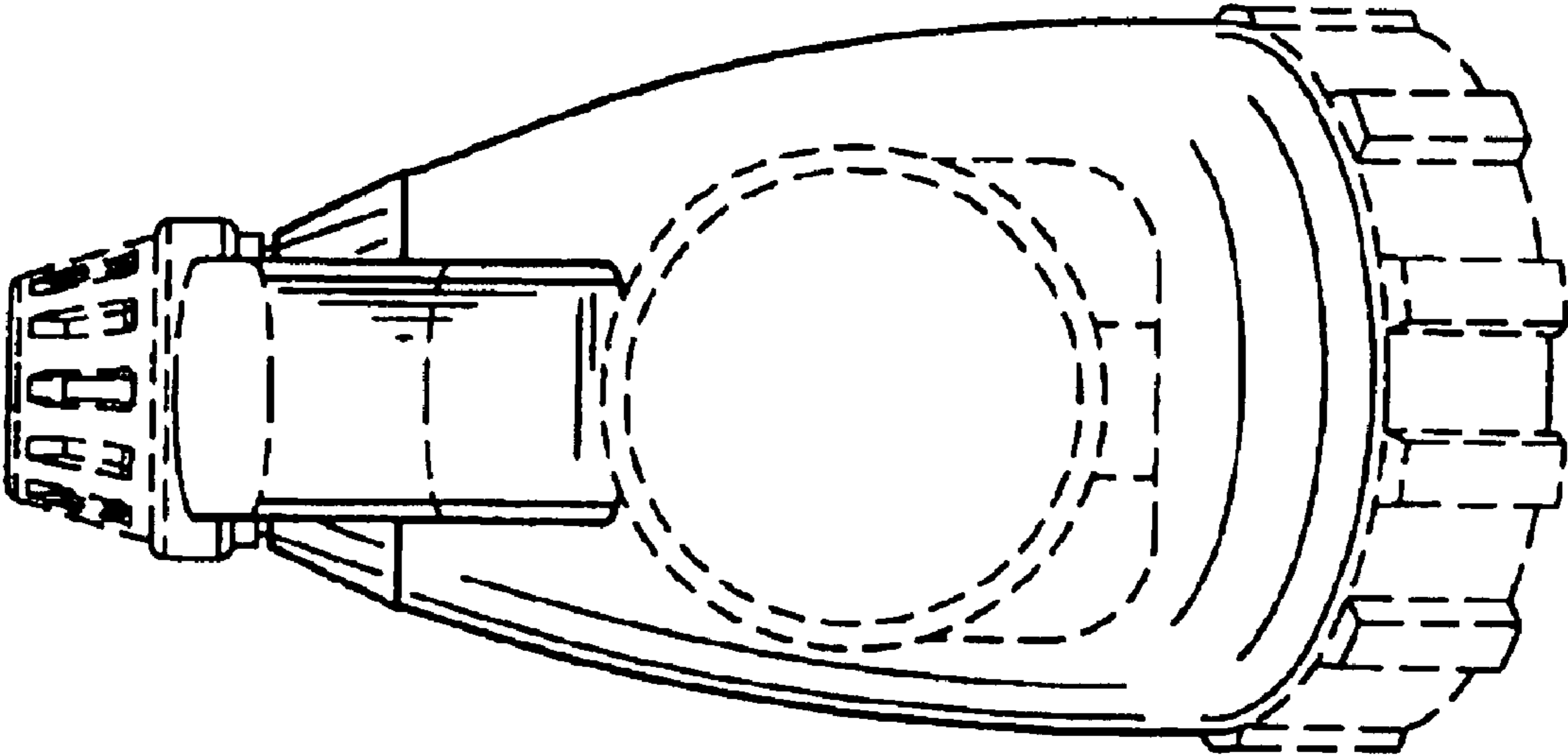
*FIG. 4*



*FIG. 5*



*FIG. 6*



*FIG. 7*