



US00D511305S

(12) **United States Design Patent**
Stevermer

(10) **Patent No.: US D511,305 S**

(45) **Date of Patent: ** Nov. 8, 2005**

(54) **MEASURING WHEEL**

(75) **Inventor: Lyle E. Stevermer**, 2 South Main, P.O. Box 748, Winnebago, MN (US) 56098

(73) **Assignee: Lyle E. Stevermer**, Winnebago, MN (US)

(**) **Term: 14 Years**

(21) **Appl. No.: 29/217,920**

(22) **Filed: Nov. 23, 2004**

Related U.S. Application Data

(63) Continuation of application No. 29/197,269, filed on Jan. 13, 2004, now abandoned.

(51) **LOC (8) Cl. 10-04**

(52) **U.S. Cl. D10/70**

(58) **Field of Search D10/70; 33/772-773, 33/779-782**

(56) **References Cited**

U.S. PATENT DOCUMENTS

D325,354 S * 4/1992 Nosek D10/70

D445,349 S 7/2001 Risi et al.

D496,598 S * 9/2004 Bookbinder et al. D10/70

* cited by examiner

Primary Examiner—Antoine D. Davis

(74) *Attorney, Agent, or Firm*—Patterson, Thuente, Skaar & Christensen, P.A.; Michael A. Bondi

(57) **CLAIM**

I claim the ornamental design for measuring wheel, as shown.

DESCRIPTION

FIG. 1 is a front perspective view of a measuring wheel according to an embodiment of the invention with a handle in a retracted position.

FIG. 2 is a back perspective view of a measuring wheel according to an embodiment of the invention.

FIG. 3 is a top view of a measuring wheel according to an embodiment of the invention.

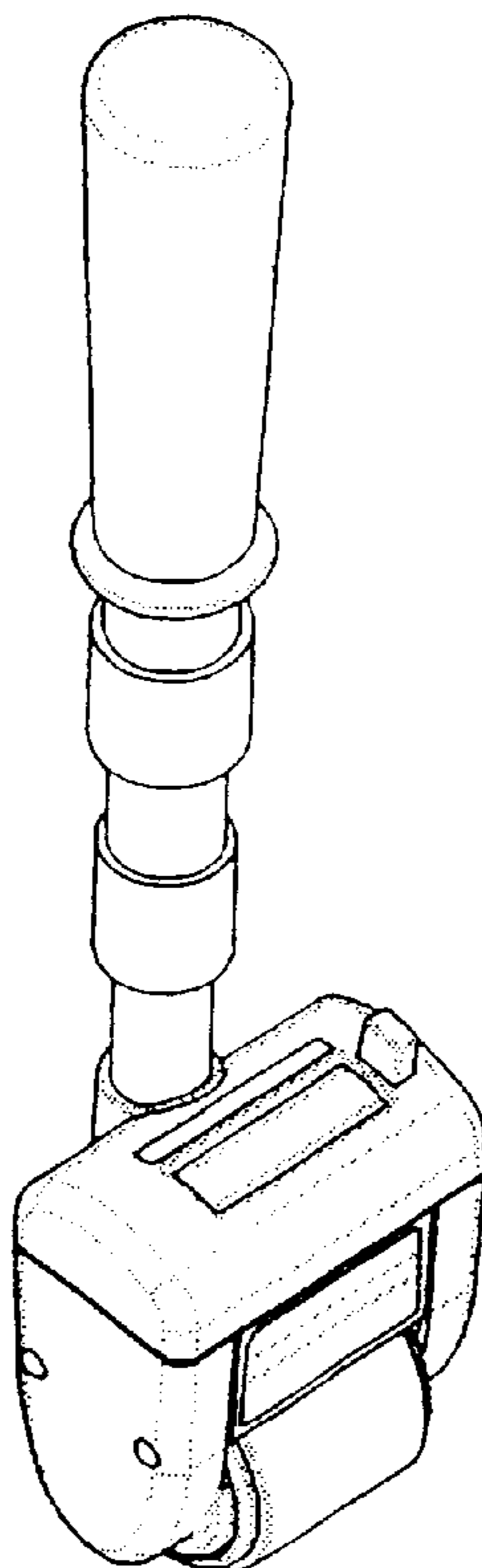
FIG. 4 is a bottom view of a measuring wheel according to an embodiment of the invention.

FIG. 5 is a first side view of a measuring wheel according to an embodiment of the invention.

FIG. 6 is a front view of a measuring wheel according to an embodiment of the invention; and,

FIG. 7 is a second side view of a measuring wheel according to an embodiment of the invention.

1 Claim, 2 Drawing Sheets



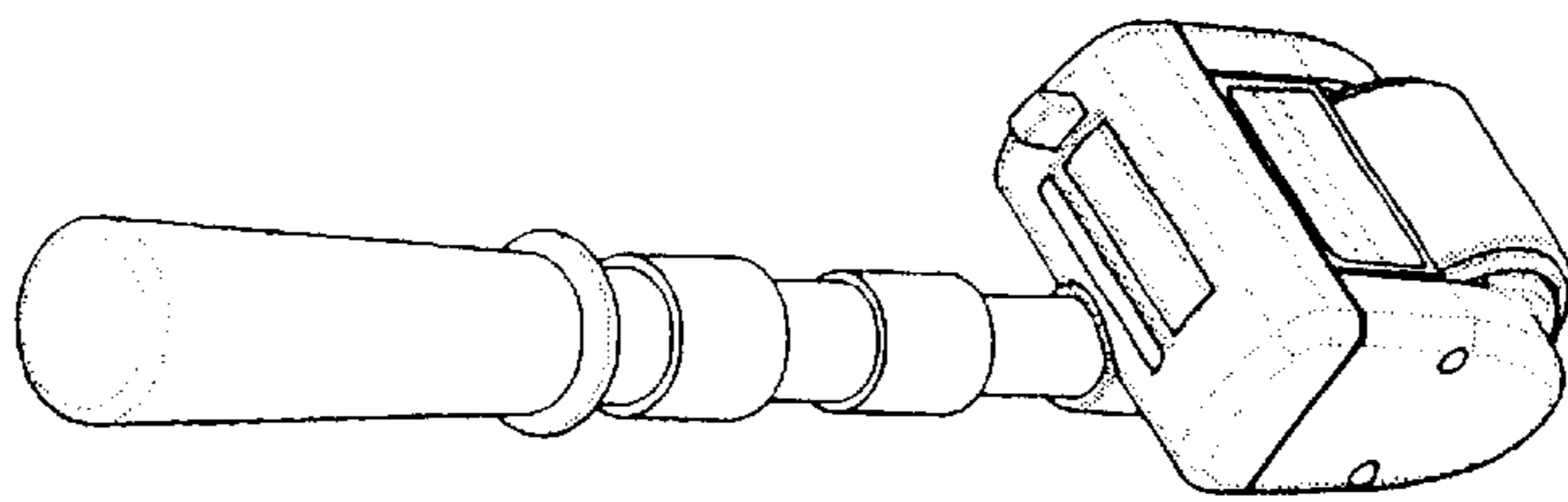


Fig. 1

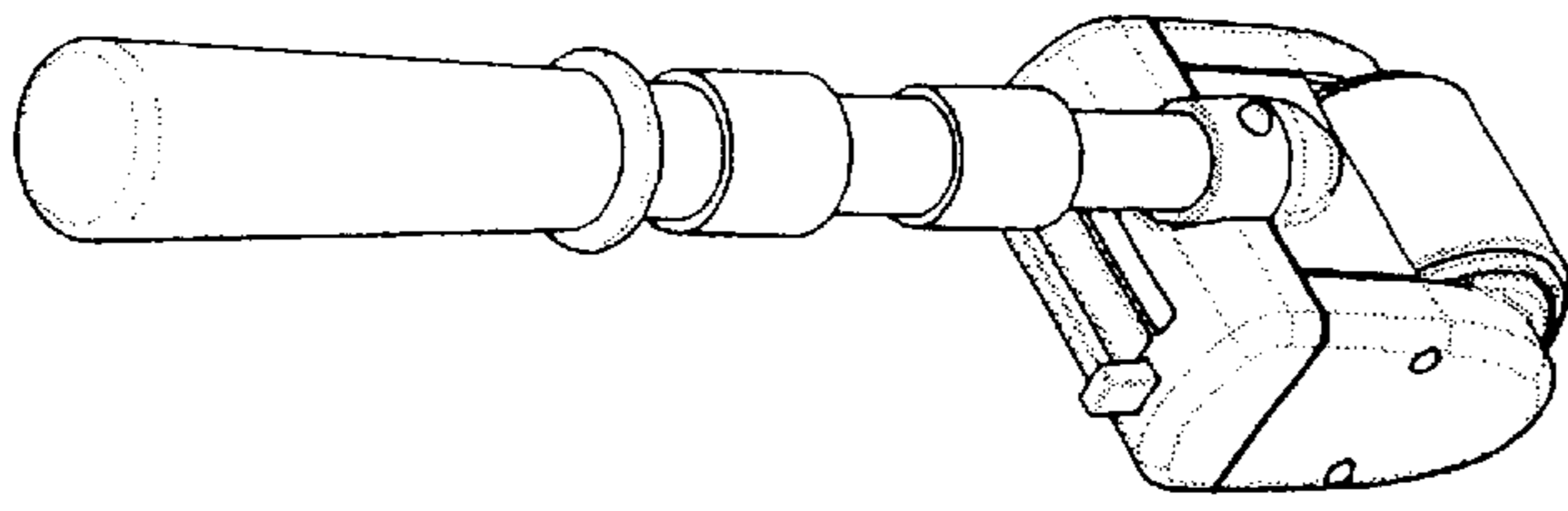


Fig. 2

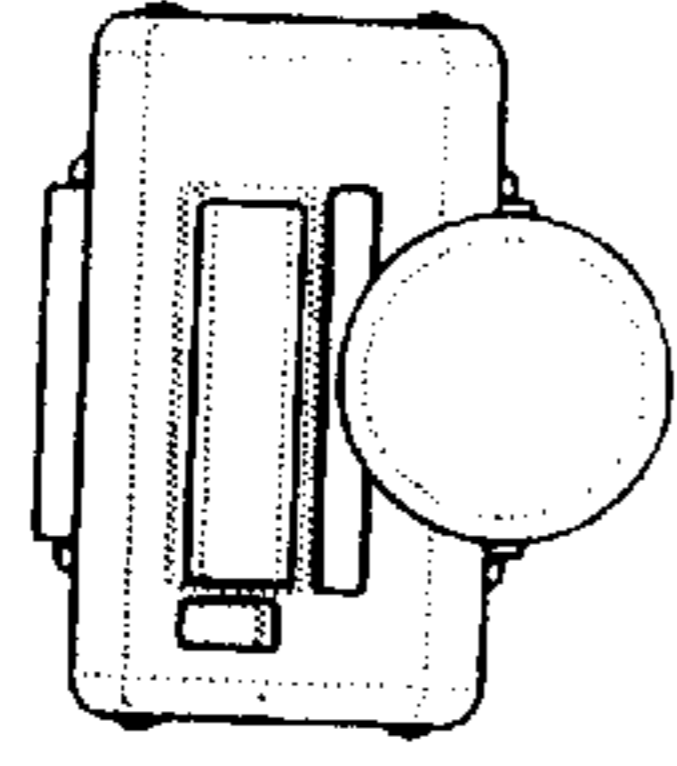


Fig. 3

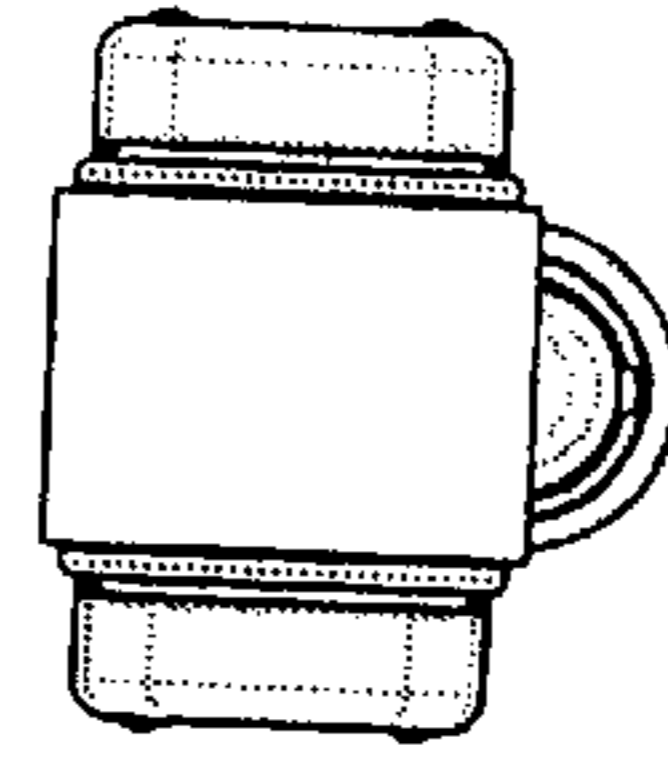


Fig. 4

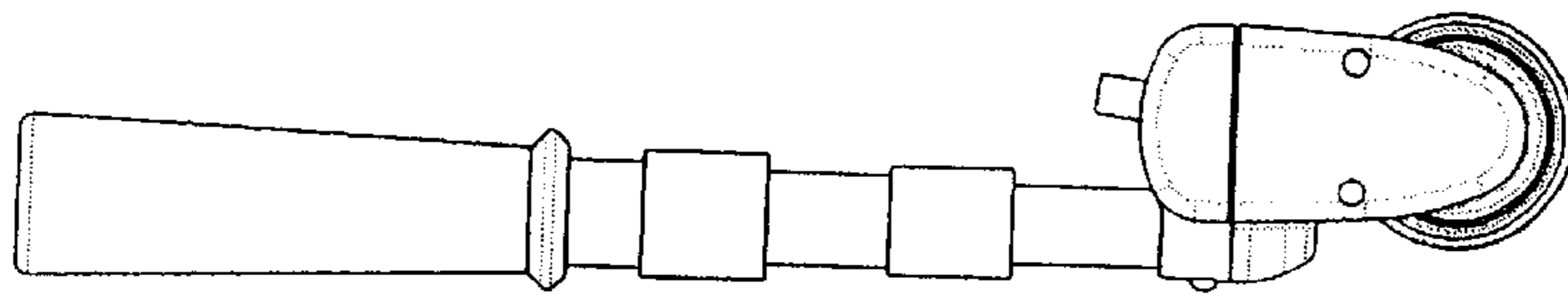


Fig. 5

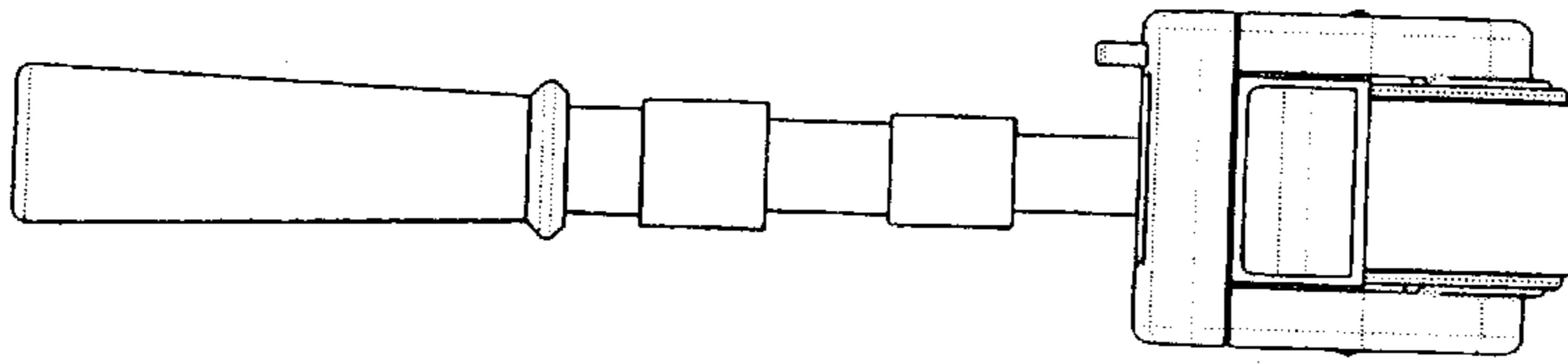


Fig. 6

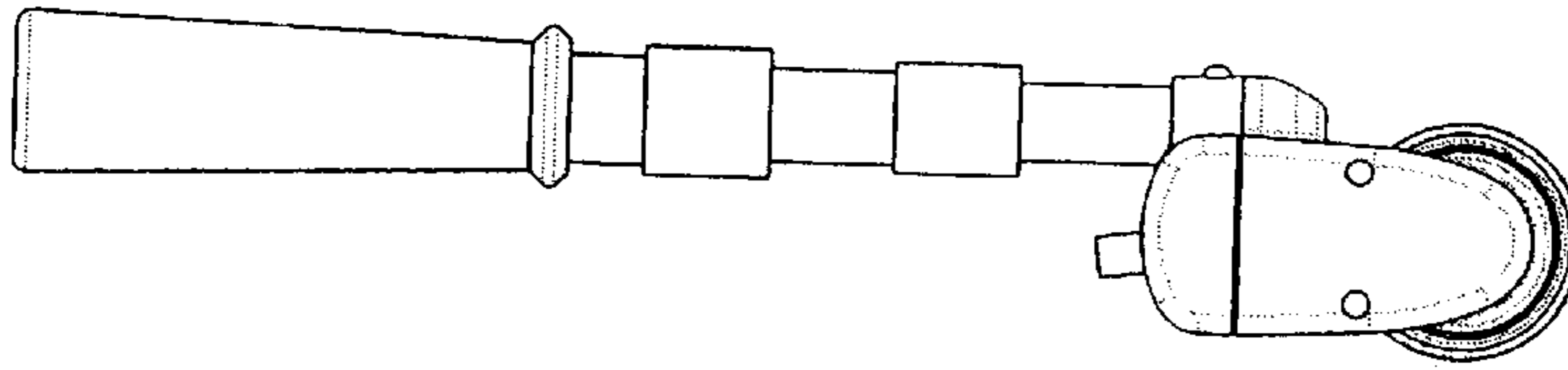


Fig. 7