



US00D511304S

(12) **United States Design Patent** (10) **Patent No.:** **US D511,304 S**
Naylor, Sr. et al. (45) **Date of Patent:** **** Nov. 8, 2005**

(54) **BASKETBALL POSSESSION INDICATOR**

(76) Inventors: **Roger A. Naylor, Sr.**, 2757 Melanie La., Salina, KS (US) 67401; **Roger A. Naylor, Jr.**, 2620 Carolina Dr., Salina, KS (US) 67401

(**) Term: **14 Years**

(21) Appl. No.: **29/204,025**

(22) Filed: **Apr. 23, 2004**

(51) **LOC (8) Cl.** **21-01**

(52) **U.S. Cl.** **D10/46.1**

(58) **Field of Search** D10/46, 46.1; 116/222-225; 40/124.01, 541, 12.02, 553, 124.05, 624, 606.01, 606.03

(56) **References Cited**

U.S. PATENT DOCUMENTS

2,115,770 A	*	5/1938	Hartzell	116/222
D159,058 S	*	6/1950	Foye	D20/29
2,994,148 A	*	8/1961	Endelson	40/546
D229,706 S	*	12/1973	Lewis	D21/392
D281,797 S	*	12/1985	Tong	D21/561
4,791,745 A	*	12/1988	Pohn	40/546
D310,176 S	*	8/1990	Wolfe	D10/46.1
4,985,809 A	*	1/1991	Matsui et al.	362/31
5,251,570 A	*	10/1993	Creech	116/225
5,433,024 A		7/1995	Lerner	
D366,428 S	*	1/1996	Halse et al.	D10/46.1

5,694,881 A	*	12/1997	Creech	116/222
5,954,423 A		9/1999	Logan et al.	
5,964,051 A		10/1999	Loeber et al.	
6,050,010 A		4/2000	Garcia et al.	
6,095,056 A		8/2000	Schumacher	
6,341,440 B1		1/2002	Lee	
2002/0005019 A1		1/2002	Trilli et al.	
2002/0157292 A1		10/2002	Landeers, Jr. et al.	
2003/0046842 A1		3/2003	Maas et al.	

* cited by examiner

Primary Examiner—Prabhakar Deshmukh

(74) *Attorney, Agent, or Firm*—Stephen R. Greiner

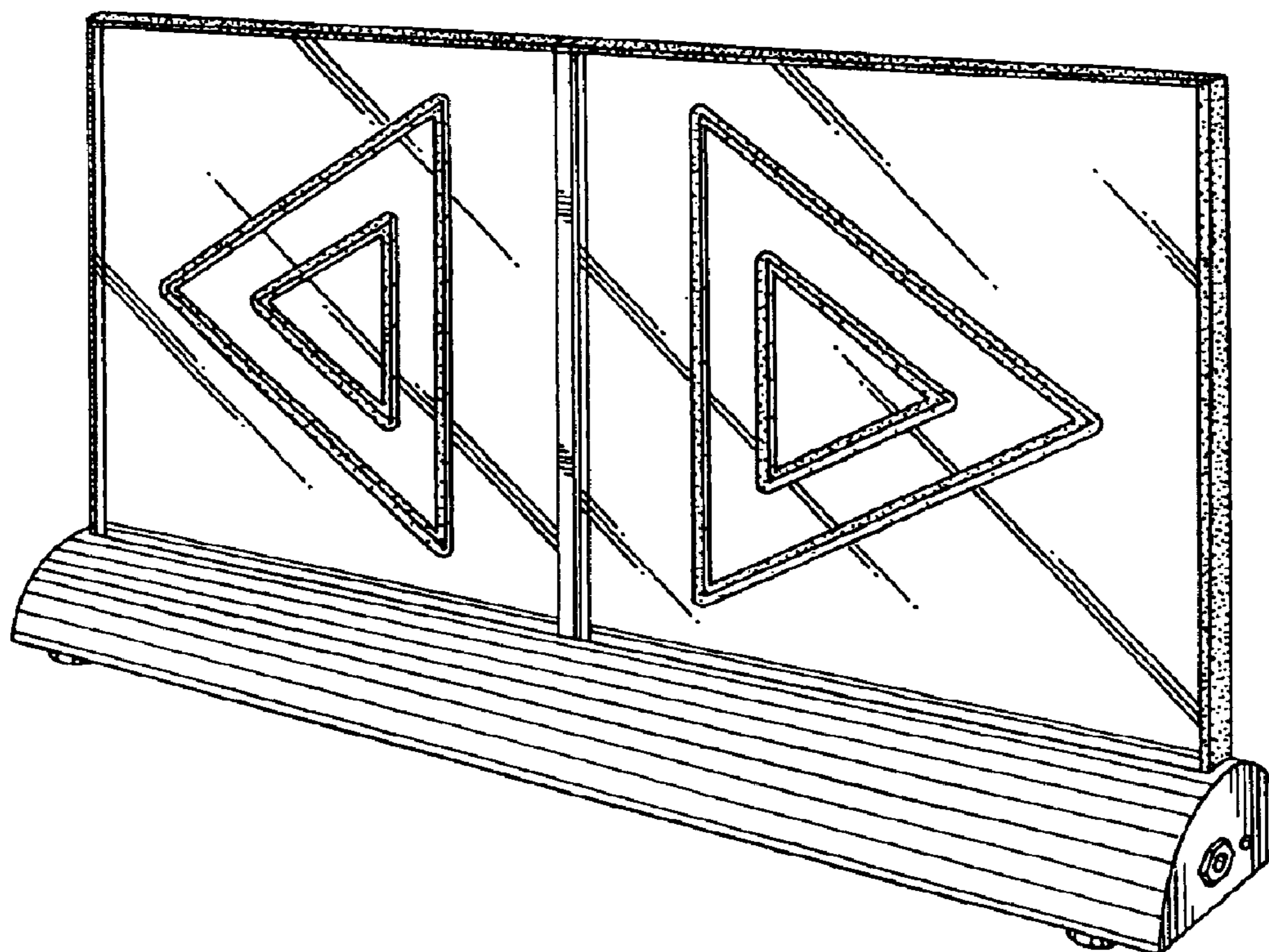
(57) **CLAIM**

The ornamental design for a basketball possession indicator, as shown and described.

DESCRIPTION

FIG. 1 is a perspective view of a basketball possession indicator showing our new design; FIG. 2 is a front elevational view thereof; FIG. 3 is a top view thereof; FIG. 4 is a rear elevational view thereof; FIG. 5 is a bottom view thereof; FIG. 6 is a right side elevational view thereof; and, FIG. 7 is a left side elevational view thereof. Stippling in FIGS. 1-4, 6 and 7 shows portions of the basketball possession indicator having a frosted appearance.

1 Claim, 2 Drawing Sheets



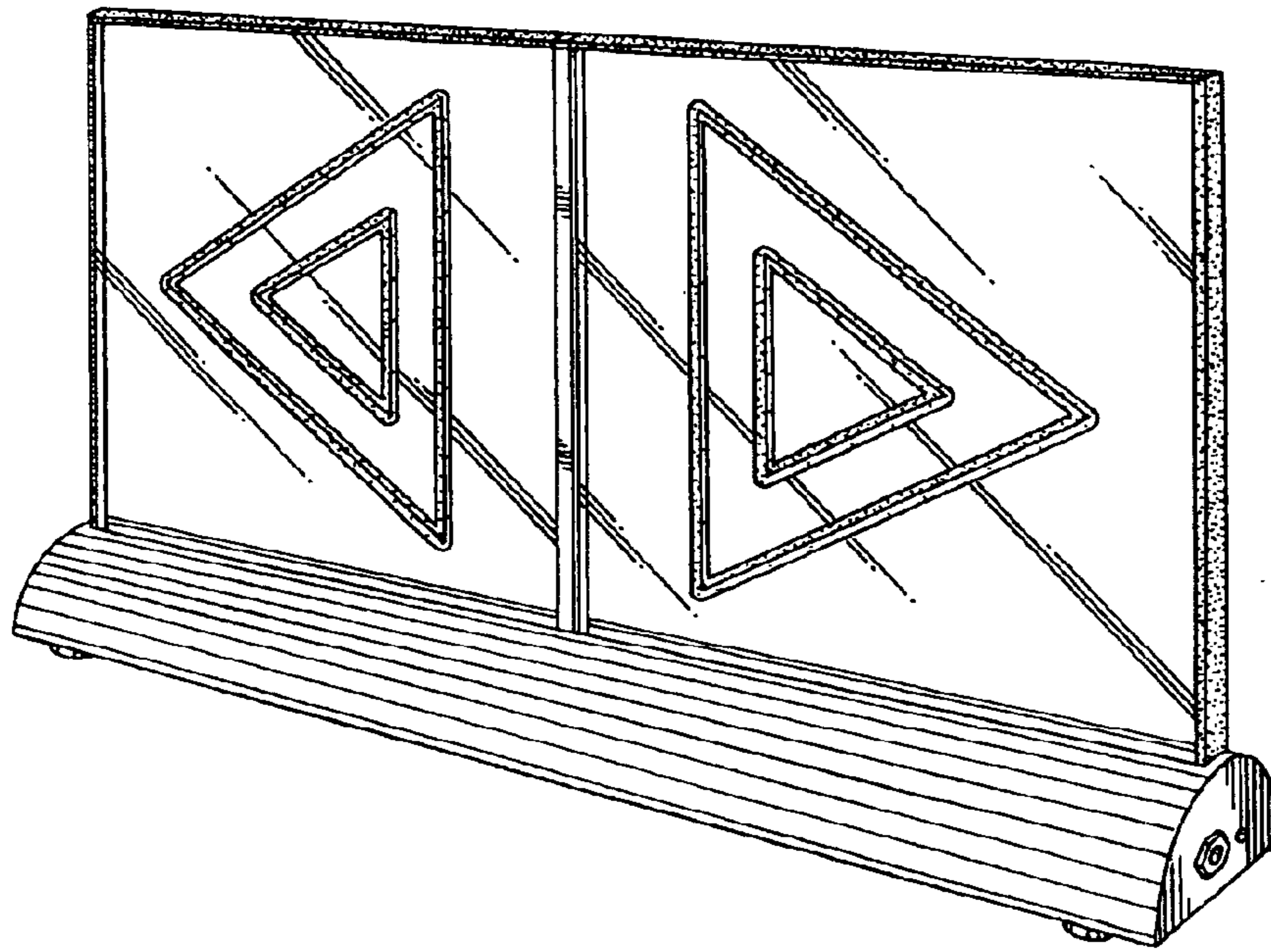


FIG. 1

FIG. 2

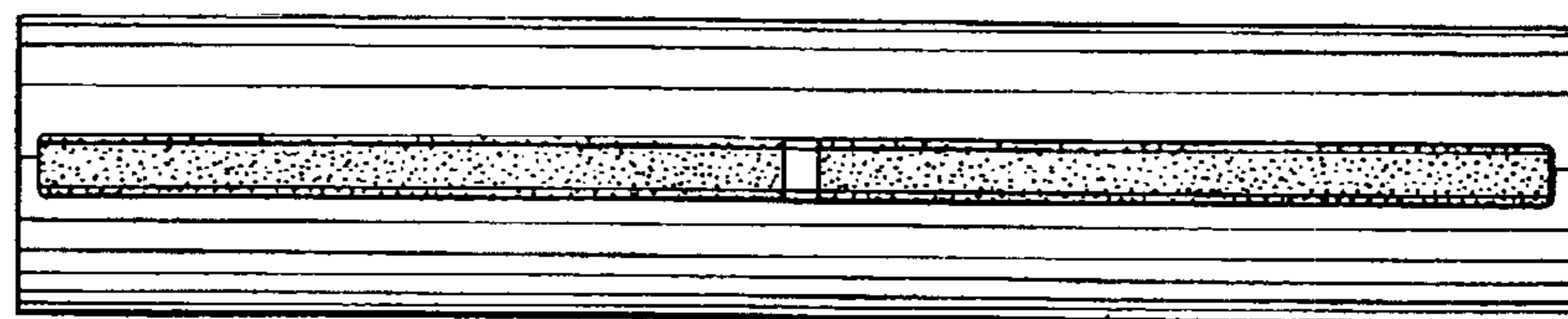
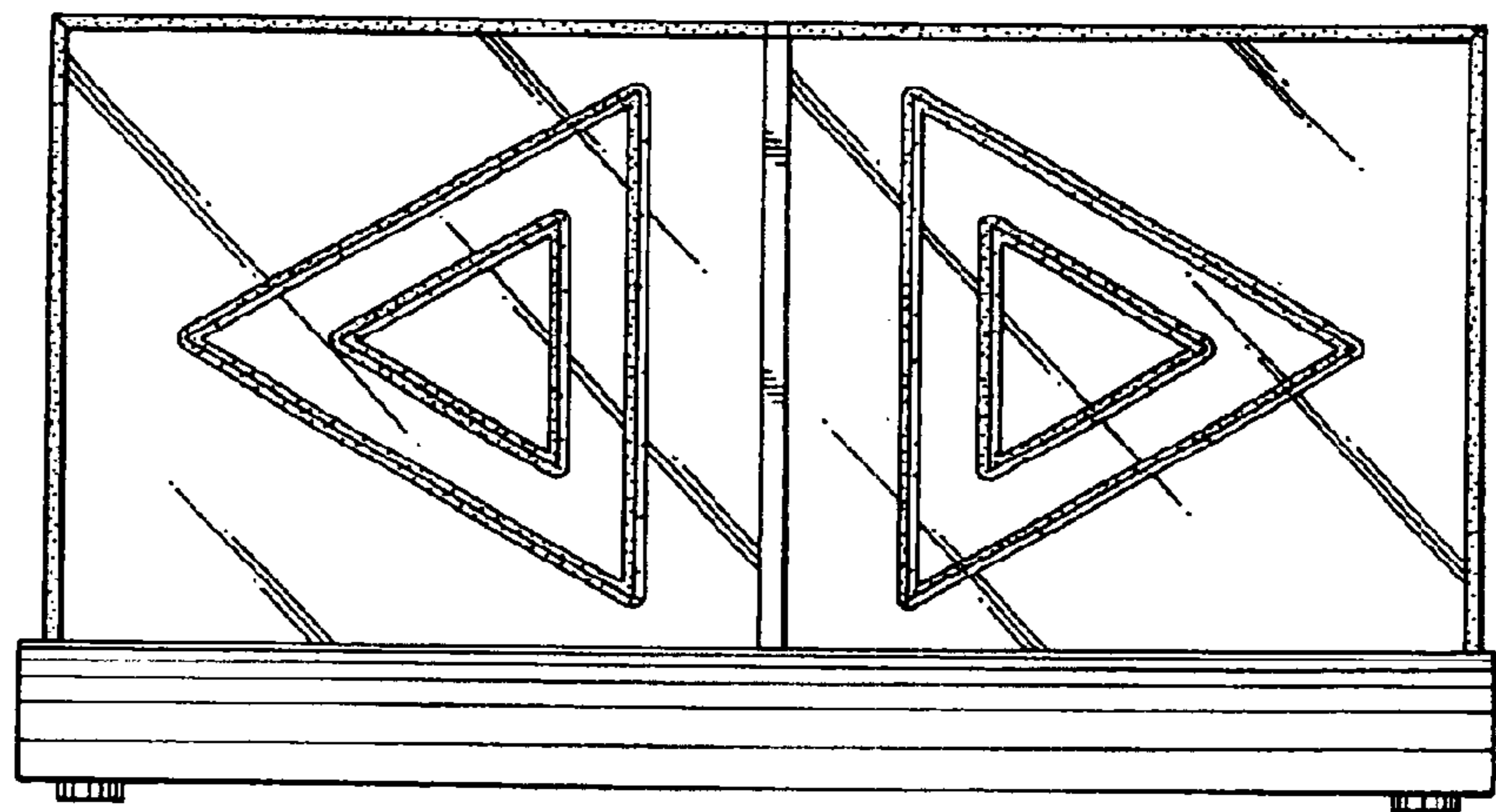


FIG. 3

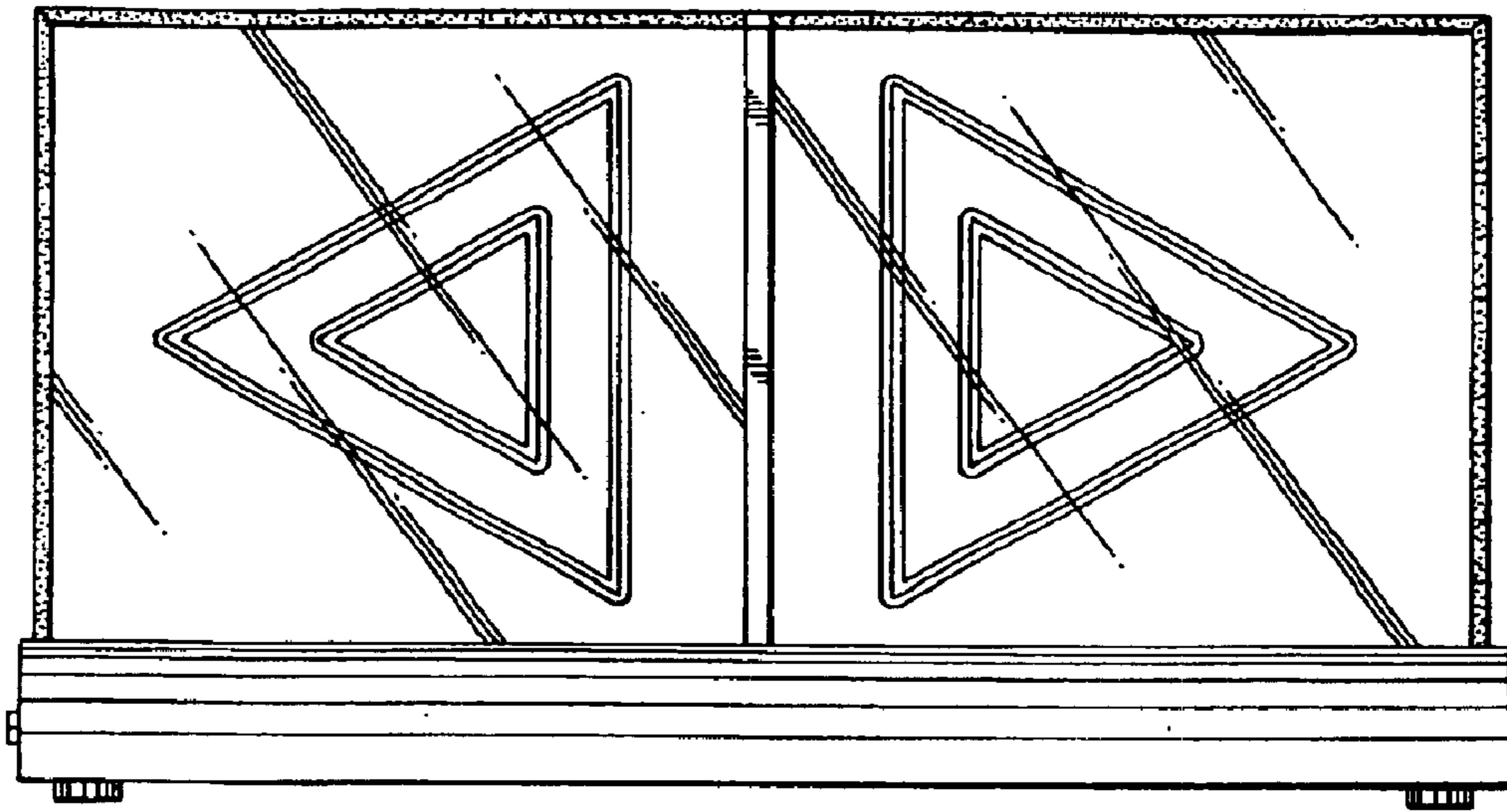


FIG. 4



FIG. 5

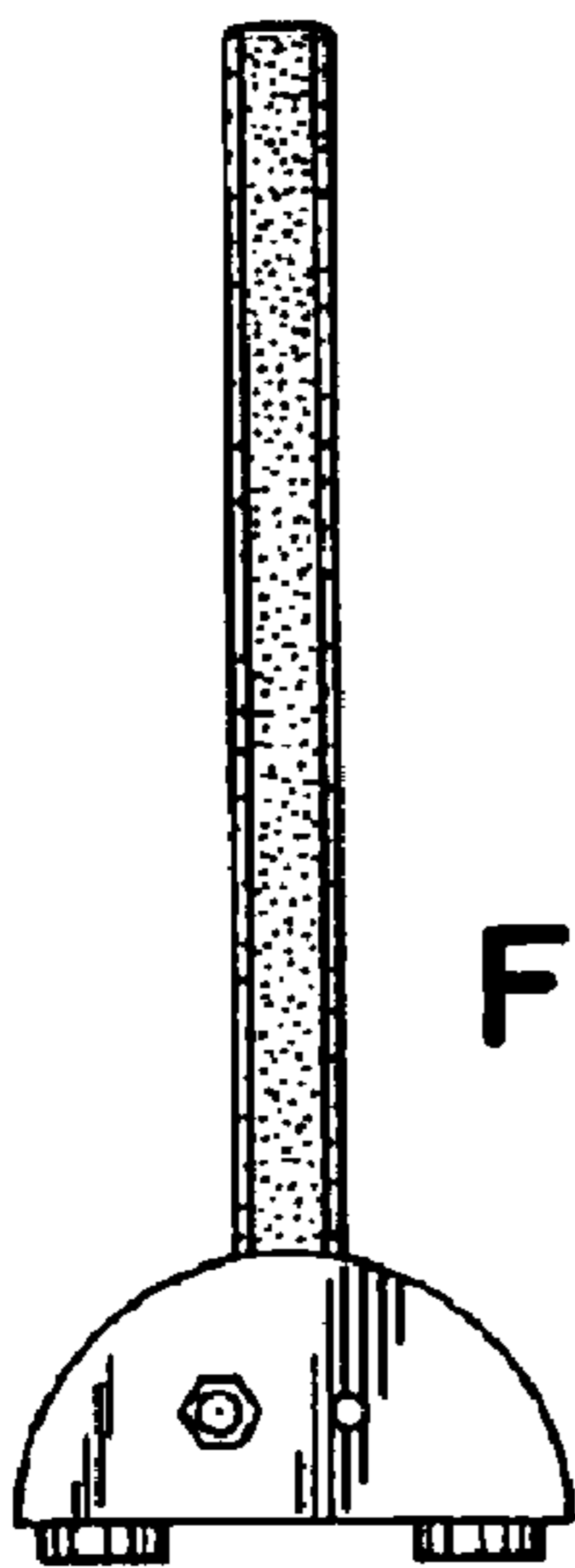


FIG. 6

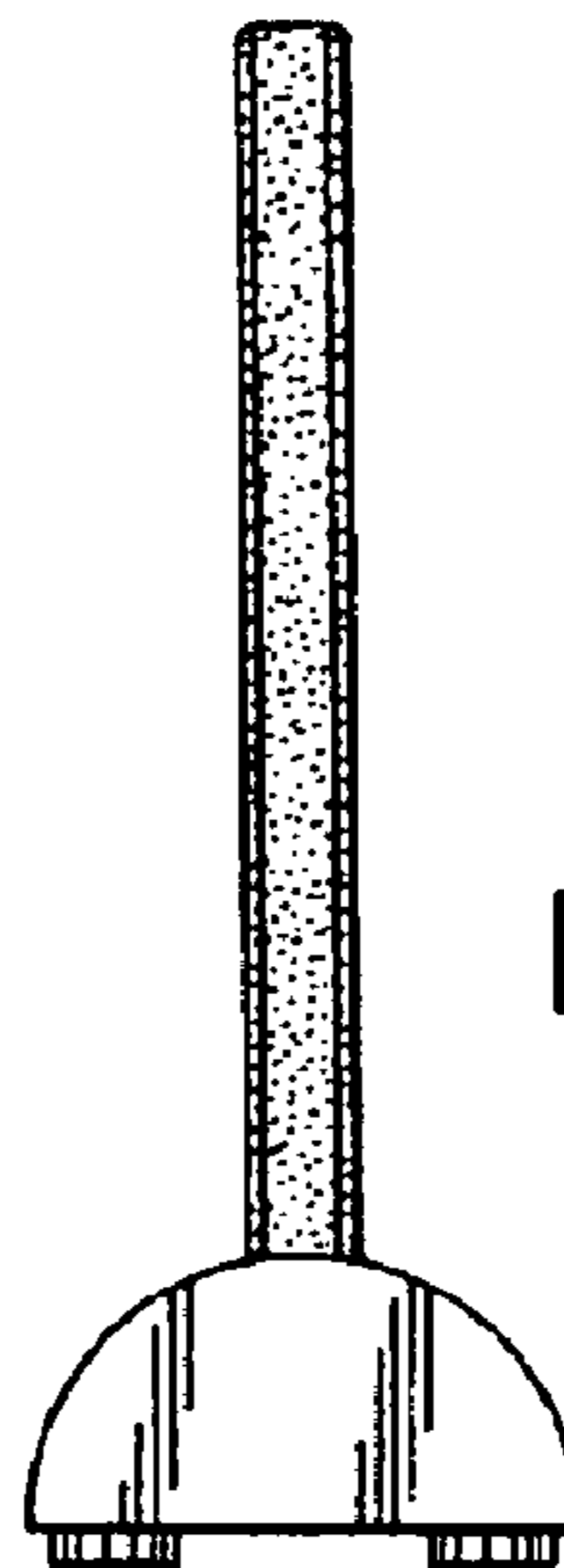


FIG. 7