



US00D511298S

(12) **United States Design Patent**
Layne et al.

(10) **Patent No.:** **US D511,298 S**
(45) **Date of Patent:** **** Nov. 8, 2005**

(54) **LINK FOR A CONVEYOR CHAIN**
(75) Inventors: **James L. Layne**, Bowling Green, KY (US); **Michael D. McDaniel**, Glasgow, KY (US)
(73) Assignee: **Span Tech LLC**, Glasgow, KY (US)
(**) Term: **14 Years**

5,271,491 A 12/1993 Irwin
5,501,319 A 3/1996 Larson et al.
5,738,205 A * 4/1998 Draebel 198/852
5,906,270 A 5/1999 Faulkner
D420,483 S * 2/2000 Abbestam D8/499
6,354,432 B1 3/2002 Maine, Jr. et al.
6,360,882 B1 3/2002 Maine, Jr. et al.
6,439,378 B1 8/2002 MacLachlan
6,615,979 B2 9/2003 Etherington et al.
D486,289 S * 2/2004 Abbestam D8/499

(21) Appl. No.: **29/210,033**
(22) Filed: **Jul. 26, 2004**

* cited by examiner
Primary Examiner—Brian N Vinson
(74) *Attorney, Agent, or Firm*—King & Schickli, PLLC

Related U.S. Application Data

(63) Continuation of application No. 10/732,141, filed on Dec. 10, 2003.
(51) **LOC (8) Cl.** **08-99**
(52) **U.S. Cl.** **D8/499**
(58) **Field of Search** D8/499; D34/29, D34/35; 198/838, 853, 850, 851; 474/212

(57) **CLAIM**

The ornamental design for a link for a conveyor chain, as shown and described.

DESCRIPTION

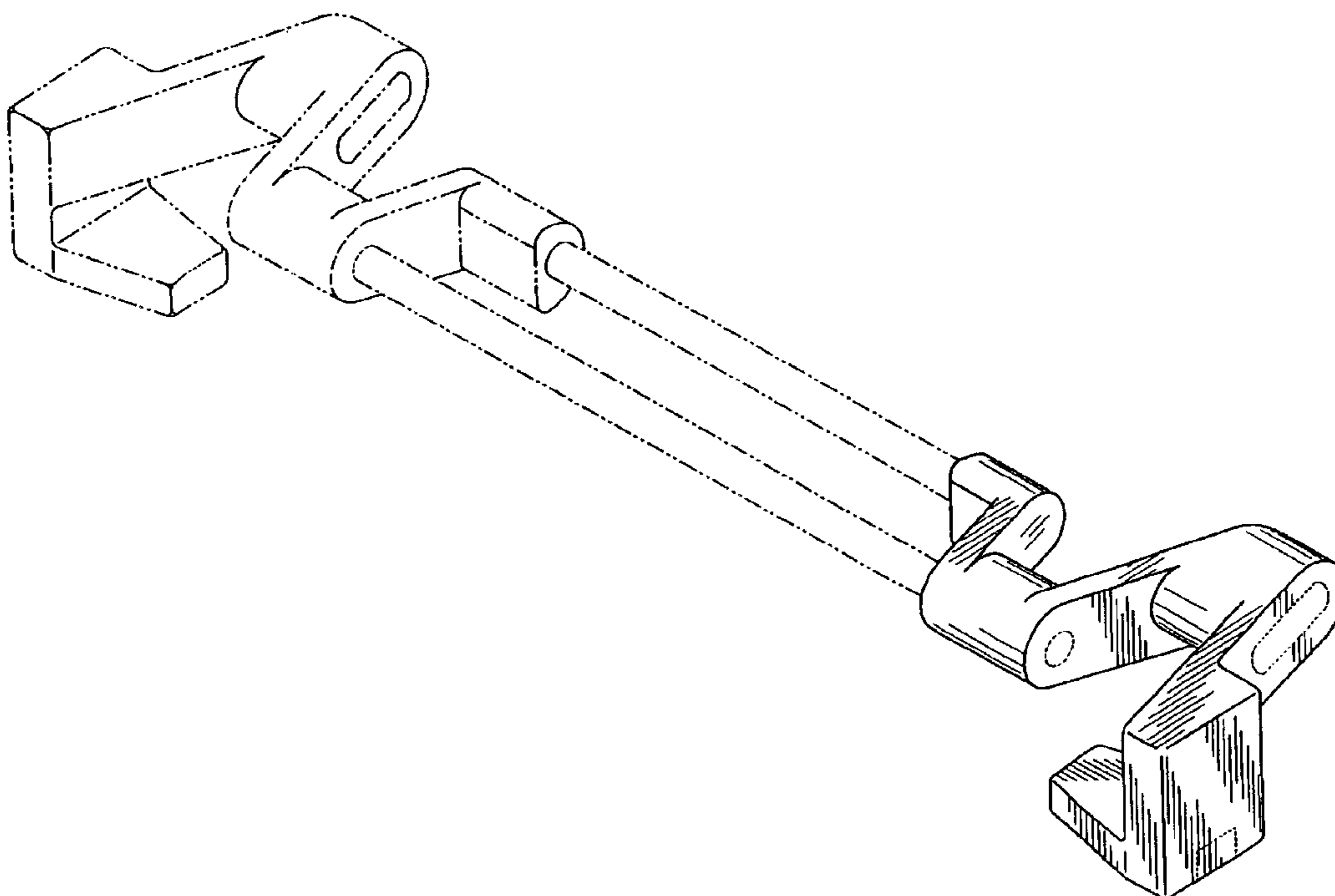
FIG. 1 is a perspective view of a link for a conveyor chain showing our new design;
FIG. 2 is a top plan view thereof;
FIG. 3 is a bottom plan view thereof;
FIG. 4 is a front elevational view thereof;
FIG. 5 is a rear elevational view thereof;
FIG. 6 is a left side elevational view thereof; and,
FIG. 7 is a right side elevational view thereof.
The broken-line disclosure in the views is for illustrative purposes only and forms no part of the claimed design.

(56) **References Cited**

U.S. PATENT DOCUMENTS

4,202,441 A 5/1980 Bourgeois
4,909,380 A 3/1990 Hodlewsky
4,953,693 A * 9/1990 Draebel 198/853
4,972,942 A 11/1990 Faulkner
D332,213 S * 1/1993 Woyach et al. D8/499
5,265,715 A 11/1993 Yoshimura et al.

1 Claim, 4 Drawing Sheets



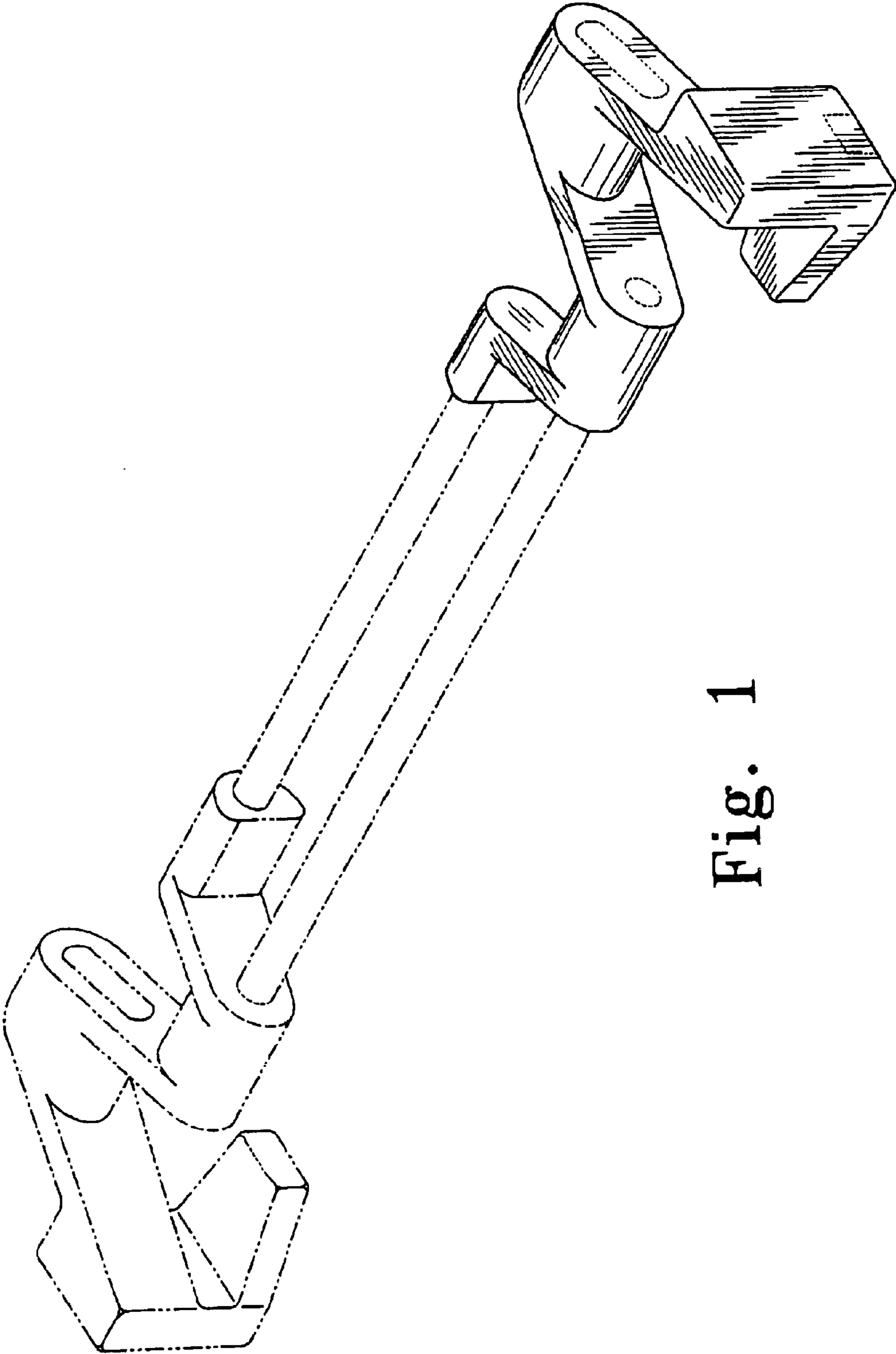


Fig. 1

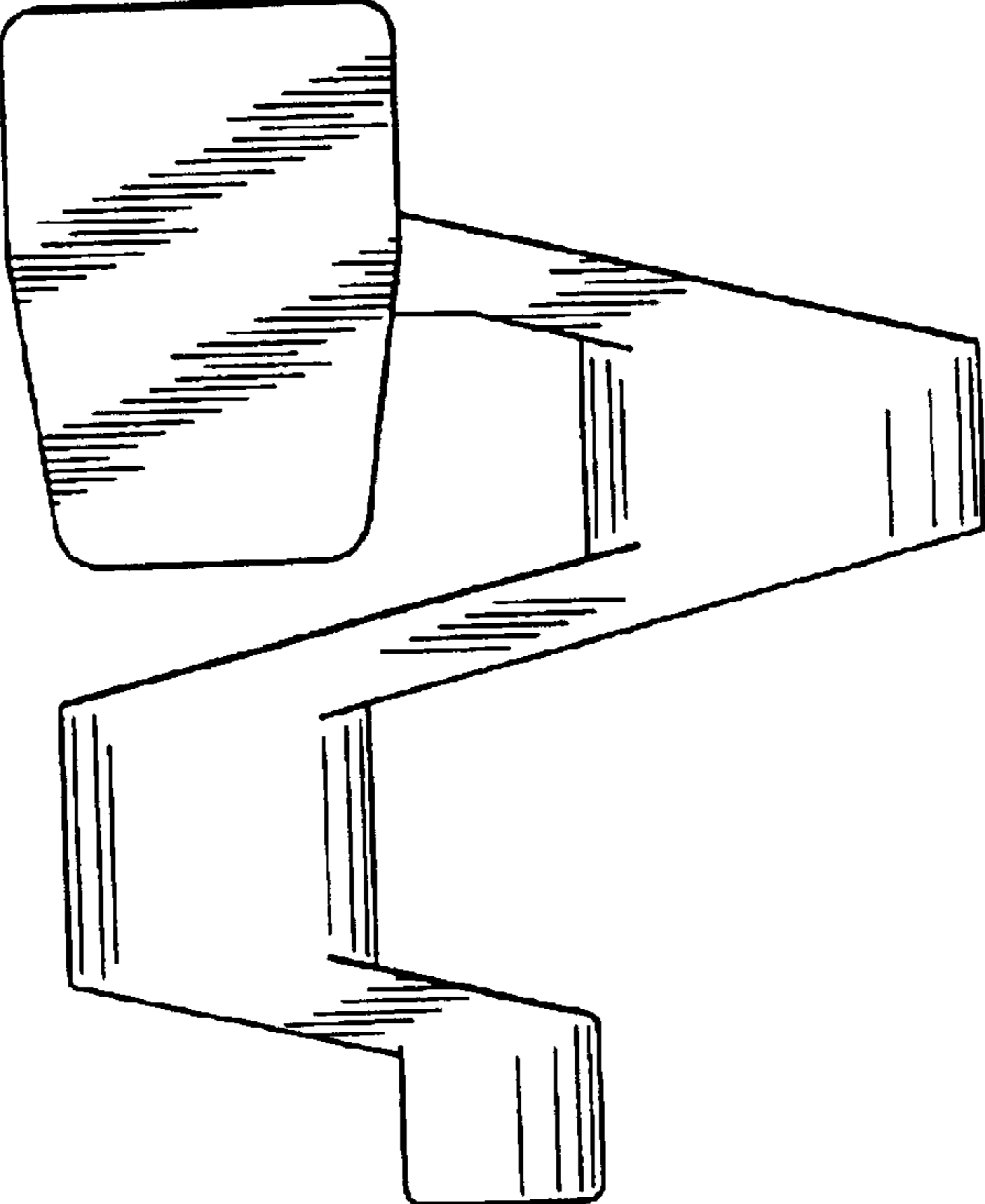


Fig. 3

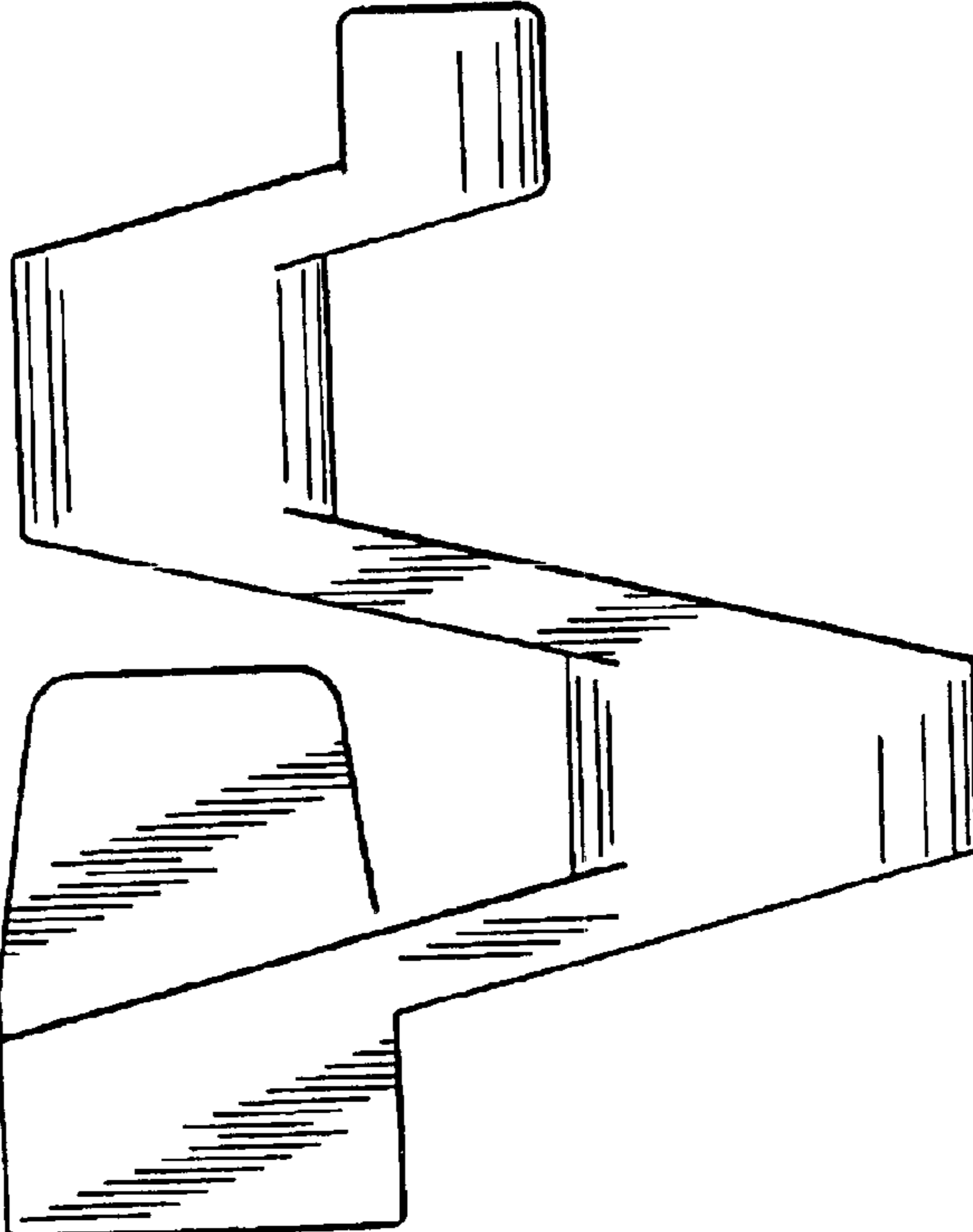


Fig. 2

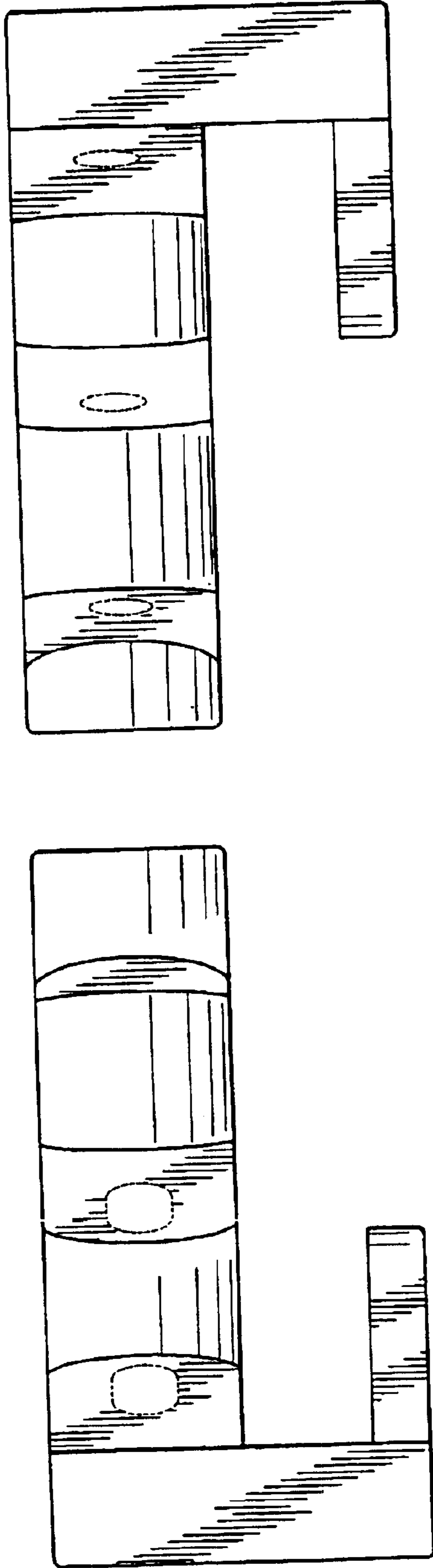


Fig. 5

Fig. 4

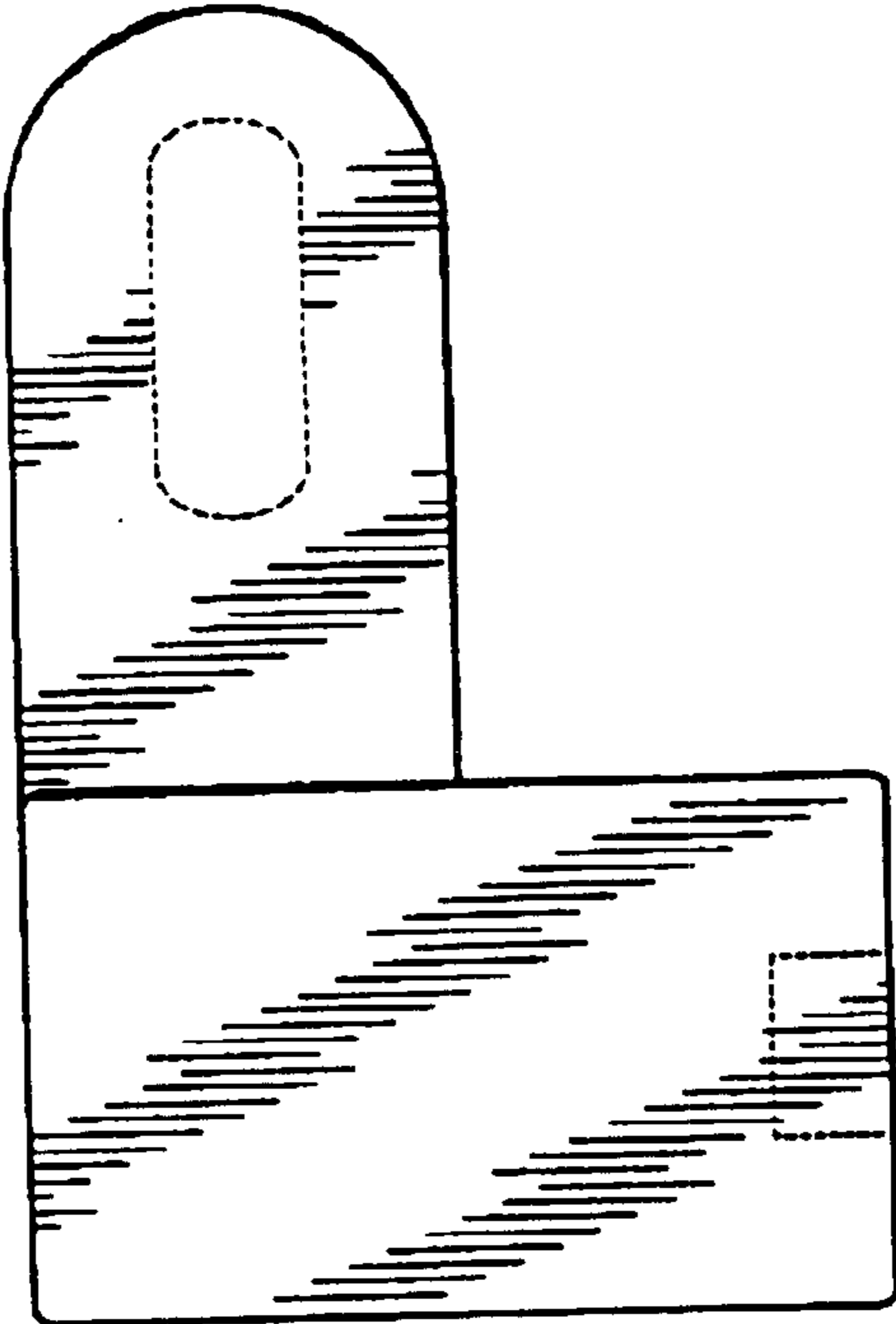


Fig. 6

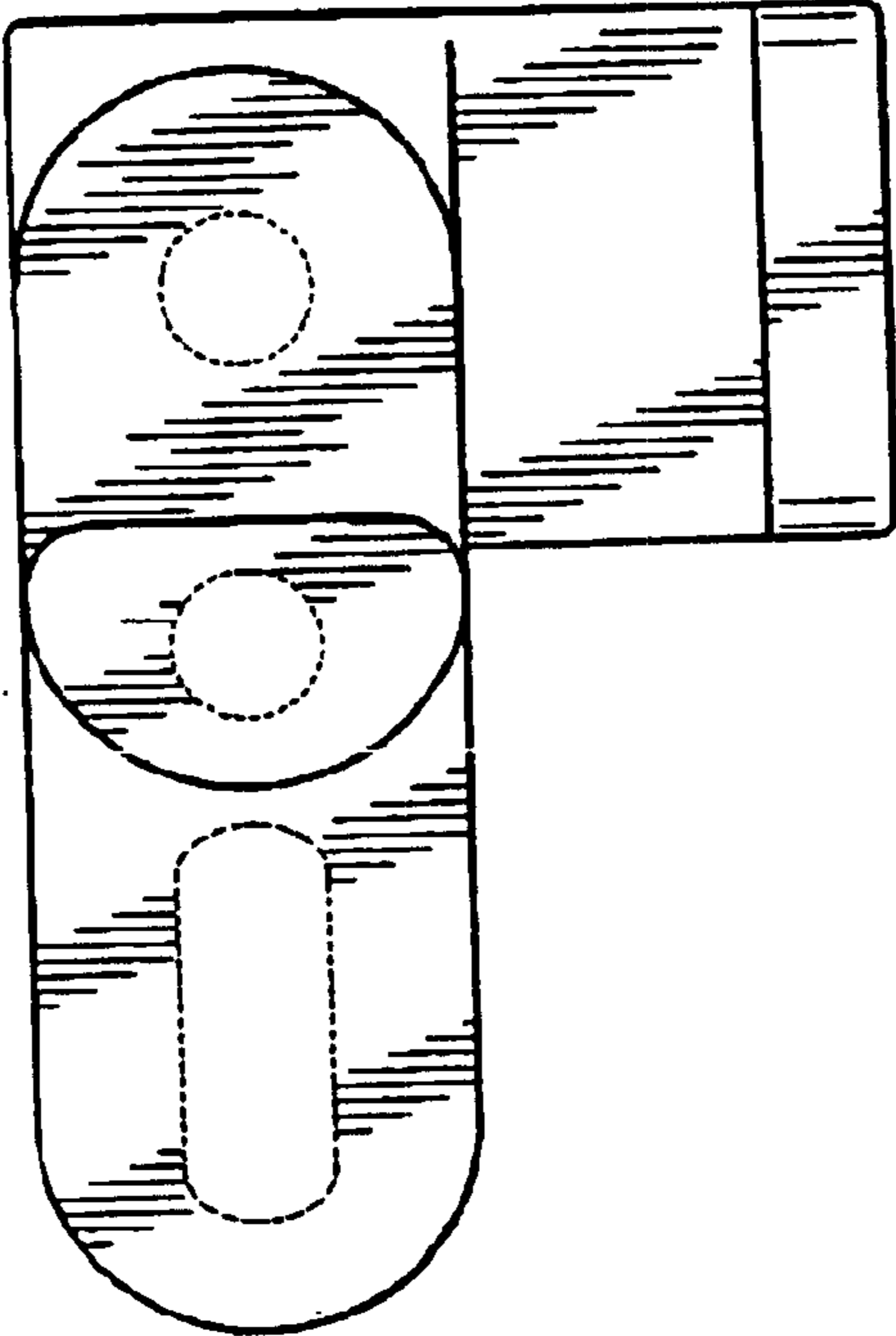


Fig. 7