



US00D511297S

(12) **United States Design Patent**
Goldberg

(10) **Patent No.:** **US D511,297 S**
(45) **Date of Patent:** **** Nov. 8, 2005**

- (54) **STAR SHAPED COBRA CLIP**
- (75) Inventor: **Edward Goldberg**, Teaneck, NJ (US)
- (73) Assignee: **Forever Green Holdings, LLC**,
Woodbridge, NJ (US)
- (**) Term: **14 Years**
- (21) Appl. No.: **29/195,980**
- (22) Filed: **Dec. 19, 2003**
- (51) **LOC (8) Cl.** **08-08**
- (52) **U.S. Cl.** **D8/383**
- (58) **Field of Search** D8/383, 394-395;
D3/211, 219; D21/380, 506; D11/14, 56,
81, 111, 178, 157, 70

(56) **References Cited**

U.S. PATENT DOCUMENTS

D393,345 S	*	4/1998	Clegg et al.	D2/869
D409,244 S	*	5/1999	Ming-Chieh	D19/88
D462,898 S	*	9/2002	Weinstock	D9/669
D468,778 S	*	1/2003	Manville	D21/489
D472,282 S	*	3/2003	Manville	D21/493
D501,896 S	*	2/2005	Manville	D21/490

* cited by examiner

Primary Examiner—Holly H. Baynham
(74) *Attorney, Agent, or Firm*—Kaplan & Gilman, LLP;
Michael R. Gilman

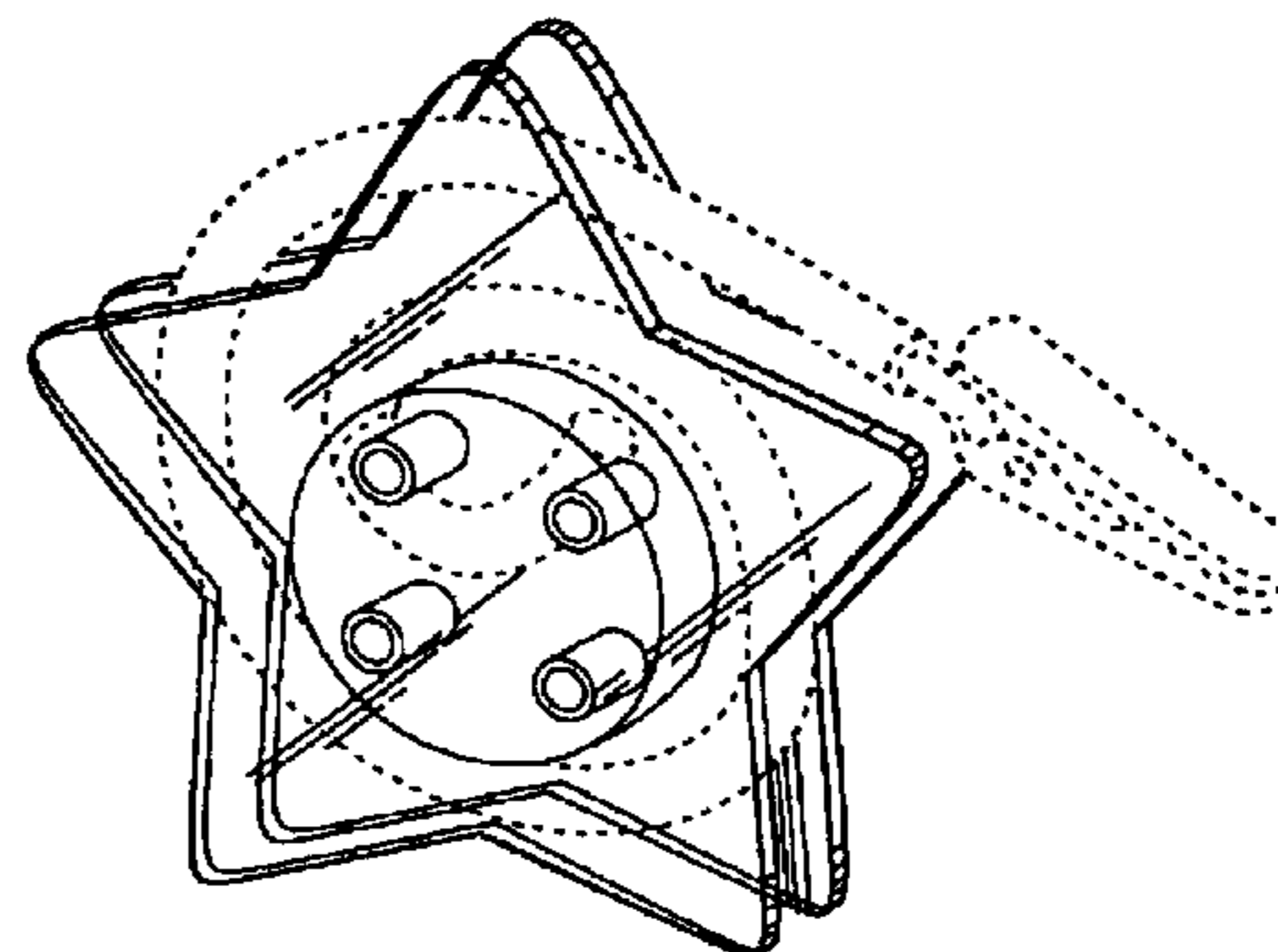
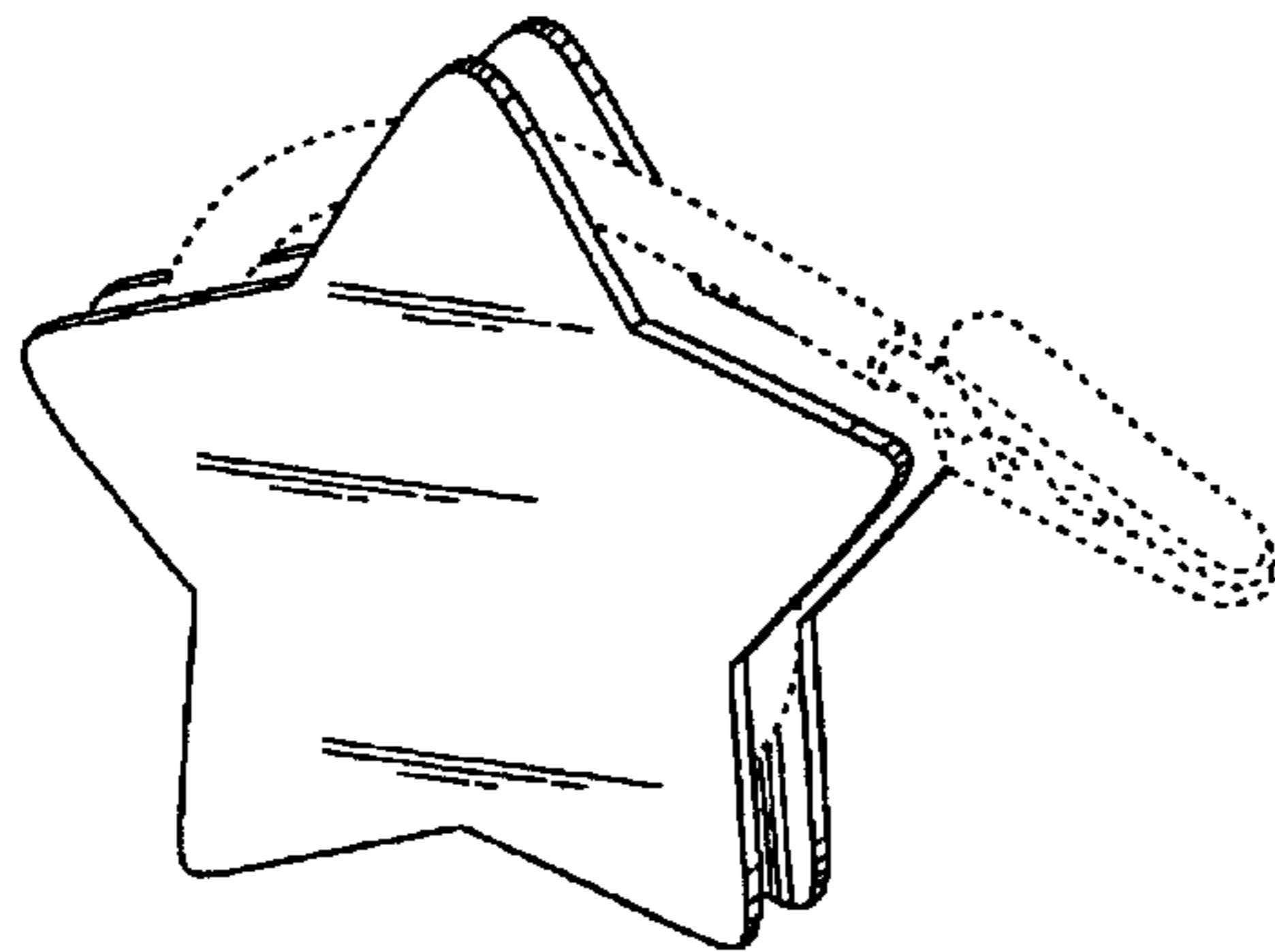
(57) **CLAIM**

The ornamental design for a star shaped cobra clip, as shown and described.

DESCRIPTION

FIG. 1 is a perspective view of the star shaped cobra clip according to my design;
 FIG. 2 is a front elevational view of my design;
 FIG. 3 is a rear elevational view of my design;
 FIG. 4 is a left side view of my design;
 FIG. 5 is a right side view of my design;
 FIG. 6 is a top plan view of my design;
 FIG. 7 is a bottom view of my design; and,
 FIG. 8 is a perspective view of a second embodiment of my design, wherein the left, right, top and bottom views are the same as shown in FIGS. 4-7 of the above first embodiment and the front and rear elevational views will be identical, except opposite.
 The broken lines shown on the drawings are for illustrative purposes only and form no part of the claimed design.

1 Claim, 2 Drawing Sheets



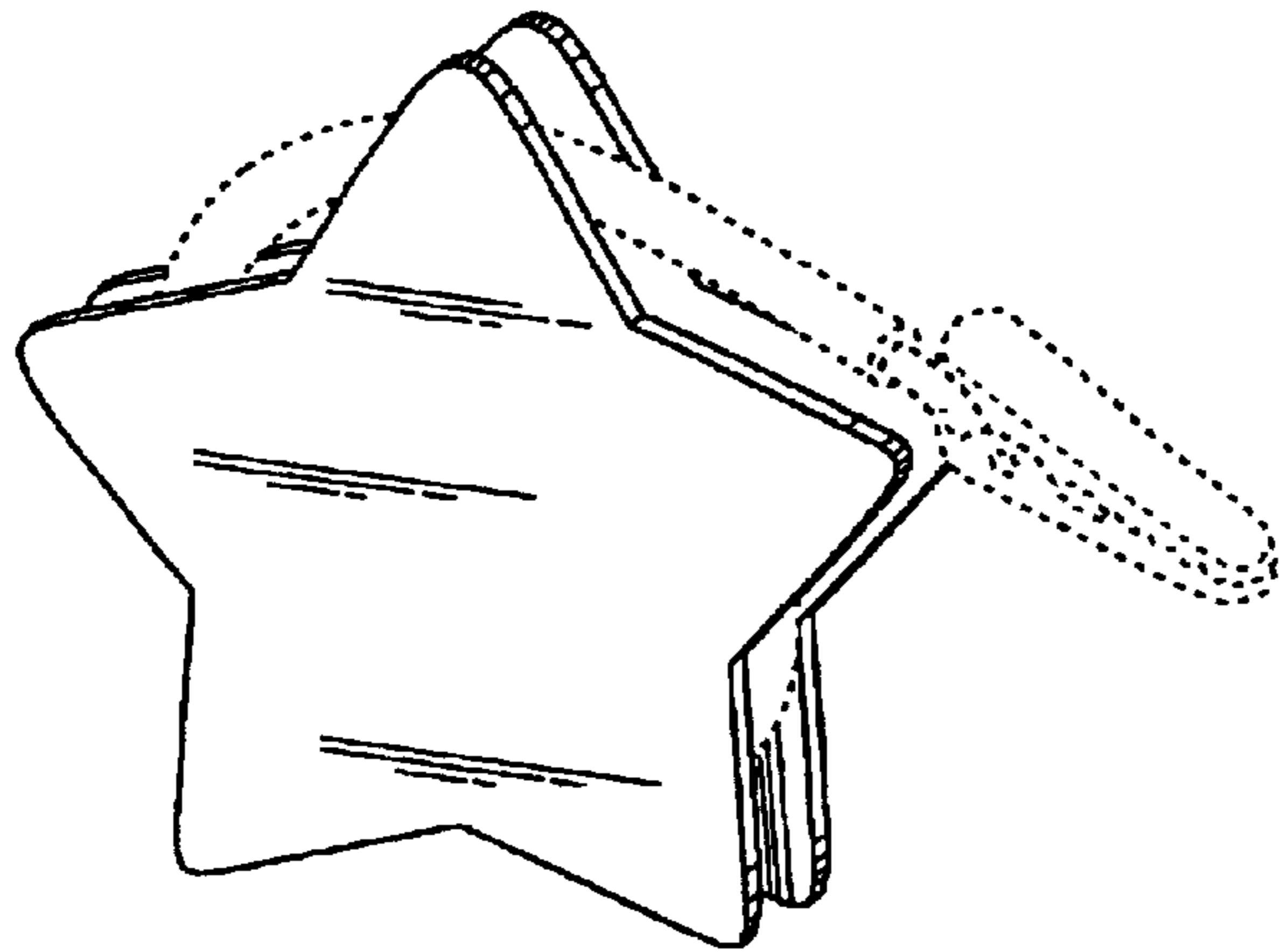


FIG. 1

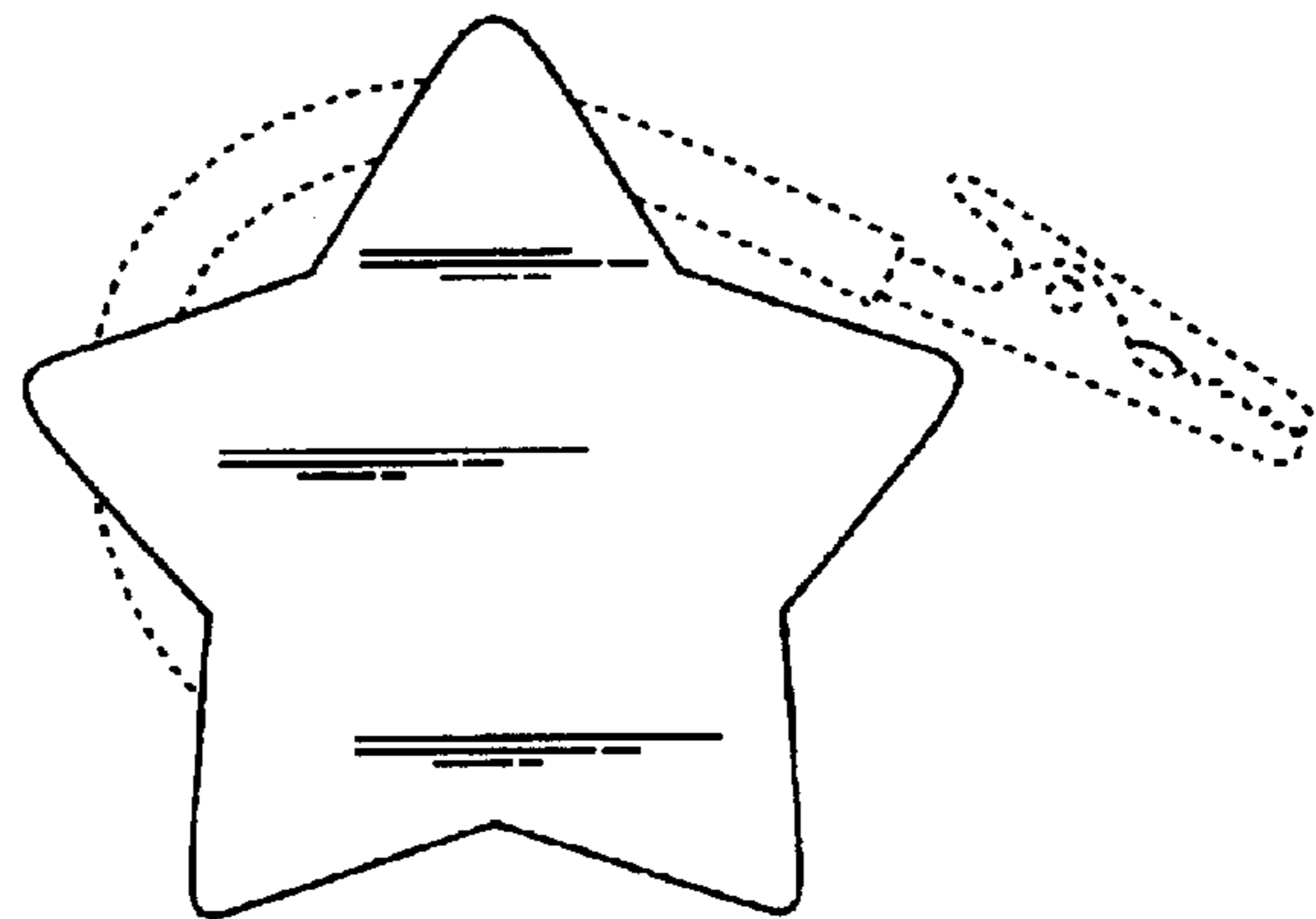


FIG. 2

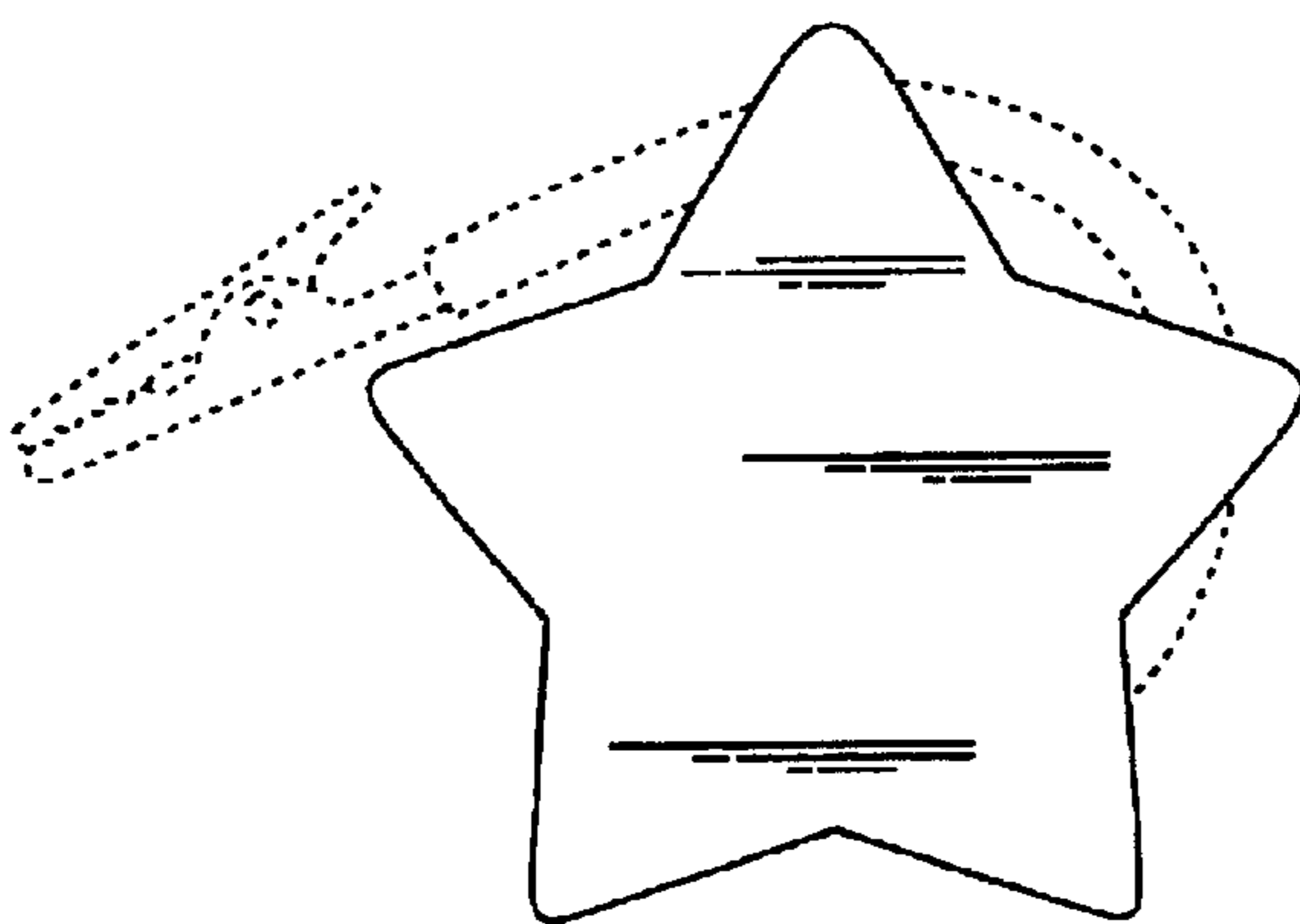


FIG. 3

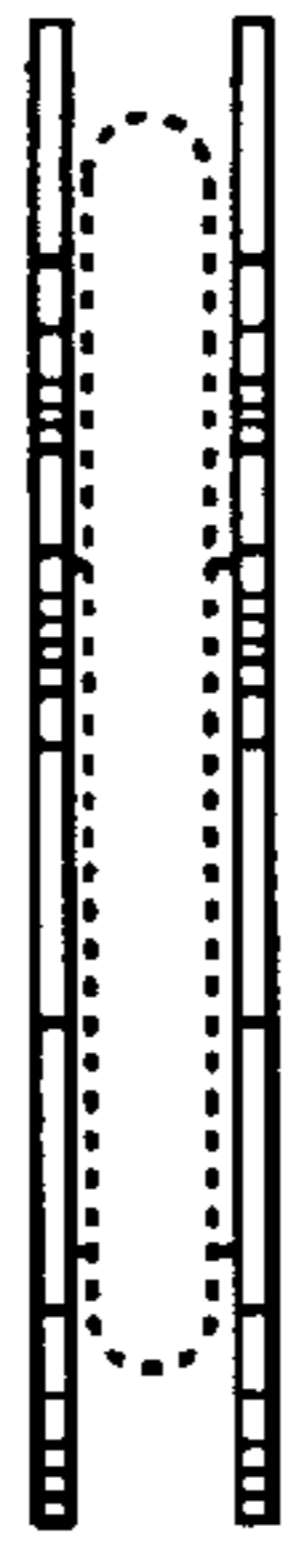


FIG. 4



FIG. 5



FIG. 6

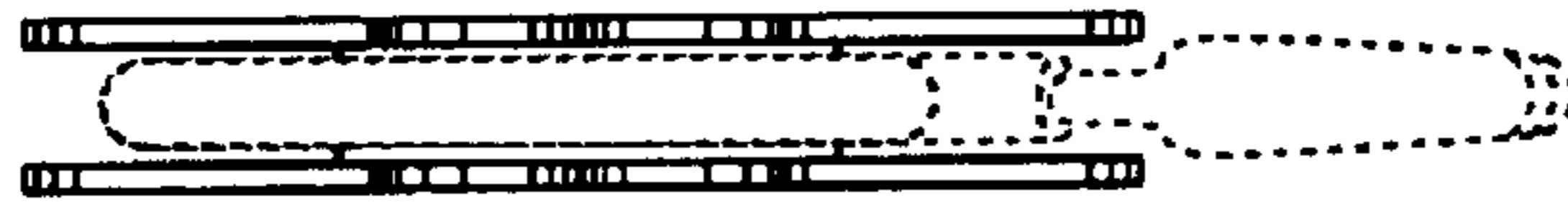


FIG. 7

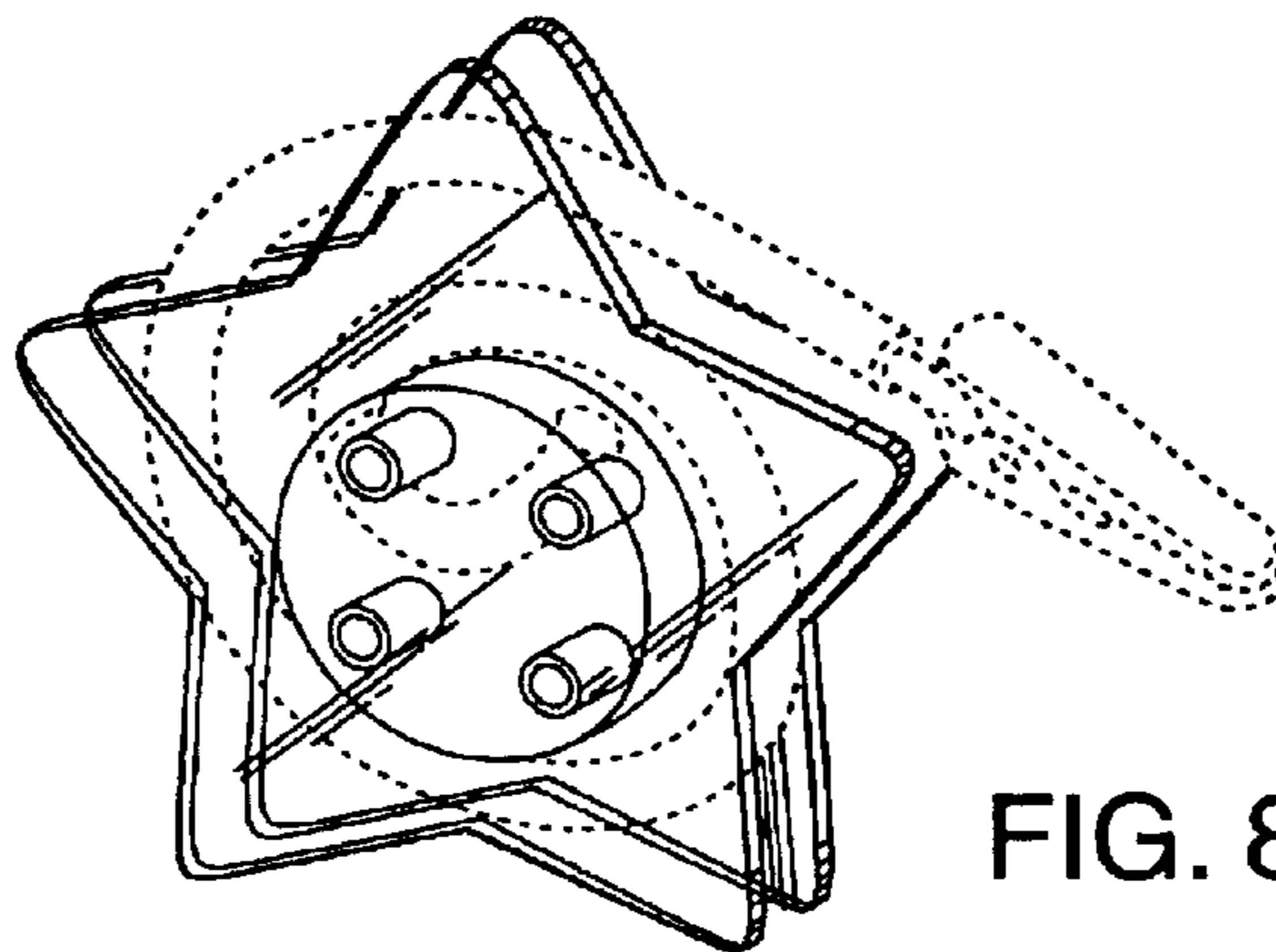


FIG. 8