



US00D511296S

(12) **United States Design Patent** (10) **Patent No.:** **US D511,296 S**
Gross (45) **Date of Patent:** **** Nov. 8, 2005**

(54) **SEATING BRACKET**
(75) Inventor: **John A. Gross, Vancouver (CA)**
(73) Assignee: **Peak Innovations Inc., Richmond (CA)**
(**) Term: **14 Years**
(21) Appl. No.: **29/190,599**
(22) Filed: **Sep. 25, 2003**
(30) **Foreign Application Priority Data**

5,337,471 A * 8/1994 Graney 29/432
D373,719 S * 9/1996 Lin D8/373
D394,203 S * 5/1998 Nadar D8/381
D461,708 S * 8/2002 Viger D8/380

FOREIGN PATENT DOCUMENTS

CA 27346 2/1965
CA 48231 5/1981
CA 67312 10/1990
CA 72449 4/1993
CA 82885 1/1998
CA 94389 1/2002

Mar. 27, 2003 (CA) 102549
(51) **LOC (8) Cl.** **08-08**
(52) **U.S. Cl.** **D8/380; D8/381**
(58) **Field of Search** D6/492, 495; D8/349,
D8/354, 355, 363, 373, 380, 381; 52/8;
248/200, 201, 235, 247, 251; 297/217.7,
451.1, 463.1

OTHER PUBLICATIONS

Copy of a webpage from <http://dekmate.com> dated Jan. 14, 2002.
Copy of a webpage from <http://www.deckzone.net/bench.php> date Sep. 6, 2003.

* cited by examiner

Primary Examiner—Joel A. Sincavage
Assistant Examiner—Elizabeth Albert

(56) **References Cited**

U.S. PATENT DOCUMENTS

855,817 A 6/1907 Schoenecke
897,371 A 9/1908 Huebner
1,618,803 A 2/1927 Bokan
D78,426 S * 4/1929 Whincap D8/363
2,025,088 A 12/1935 Boller
2,095,625 A 10/1937 Allen
2,171,374 A 8/1939 Ryan et al.
3,584,916 A 6/1971 Bayes
4,285,542 A * 8/1981 Boisvert 297/217.7
D266,133 S 9/1982 Stahl, Jr. et al.
4,918,880 A 4/1990 Carney
D312,543 S 12/1990 Shields
D331,343 S 12/1992 VanStaveren
D348,216 S * 6/1994 Smith D8/381

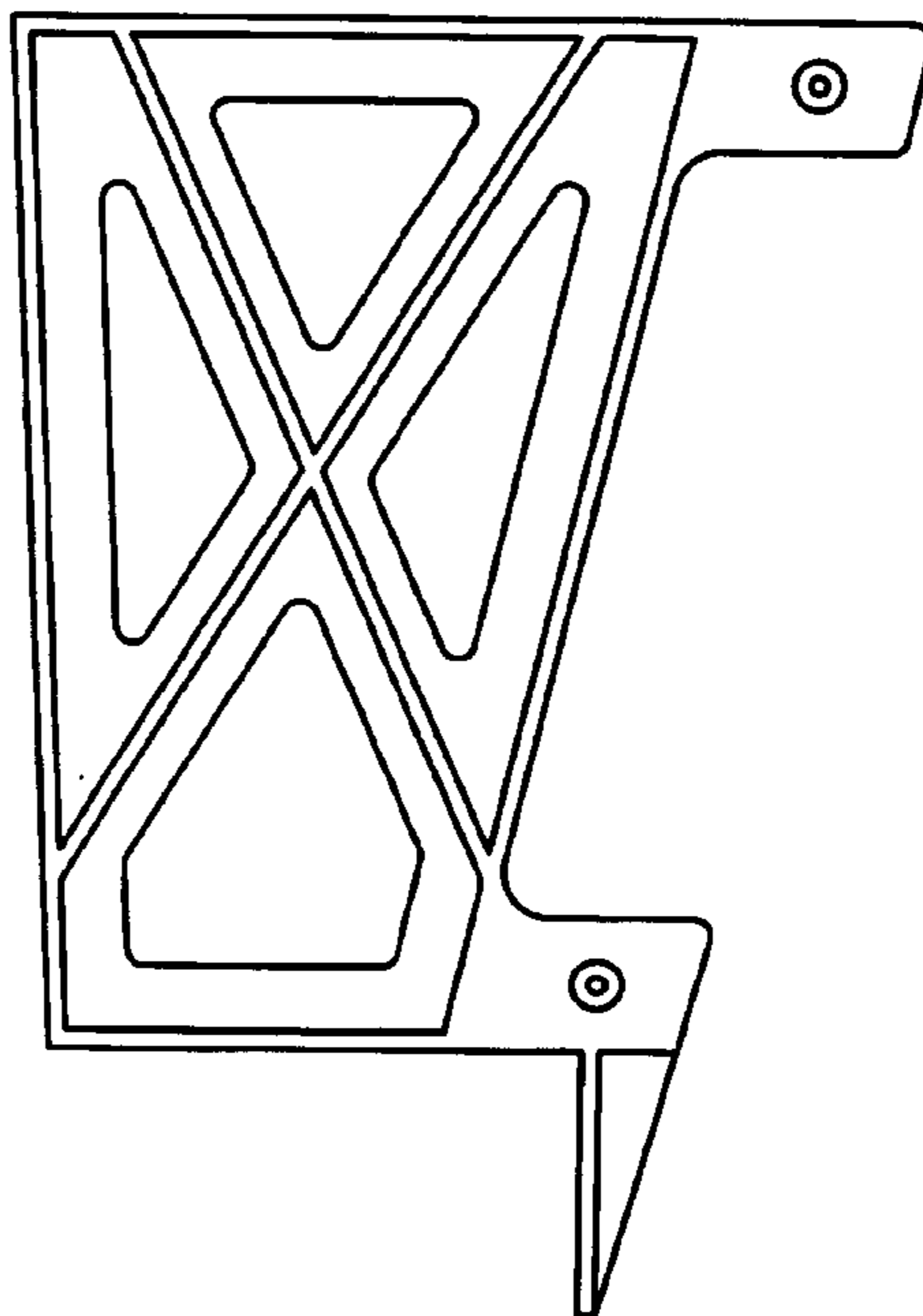
(57) **CLAIM**

The ornamental design for a seating bracket, as shown and described.

DESCRIPTION

FIG. 1 is a left side elevation of my seating bracket;
FIG. 2 is a right side elevation thereof;
FIG. 3 is a top plan view thereof;
FIG. 4 is a bottom plan view thereof;
FIG. 5 is a rear elevation thereof; and,
FIG. 6 is a front elevation thereof.

1 Claim, 2 Drawing Sheets



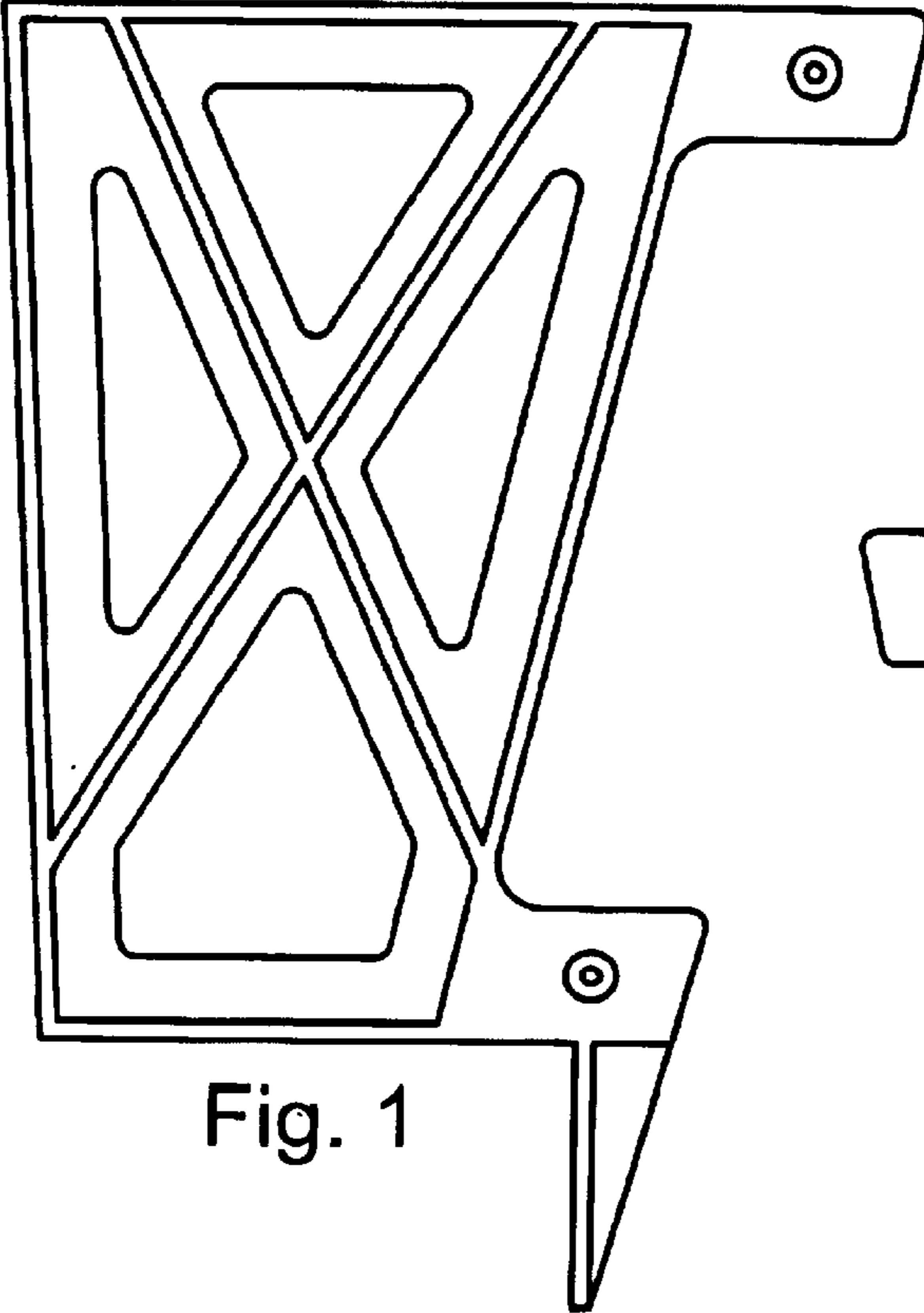


Fig. 1

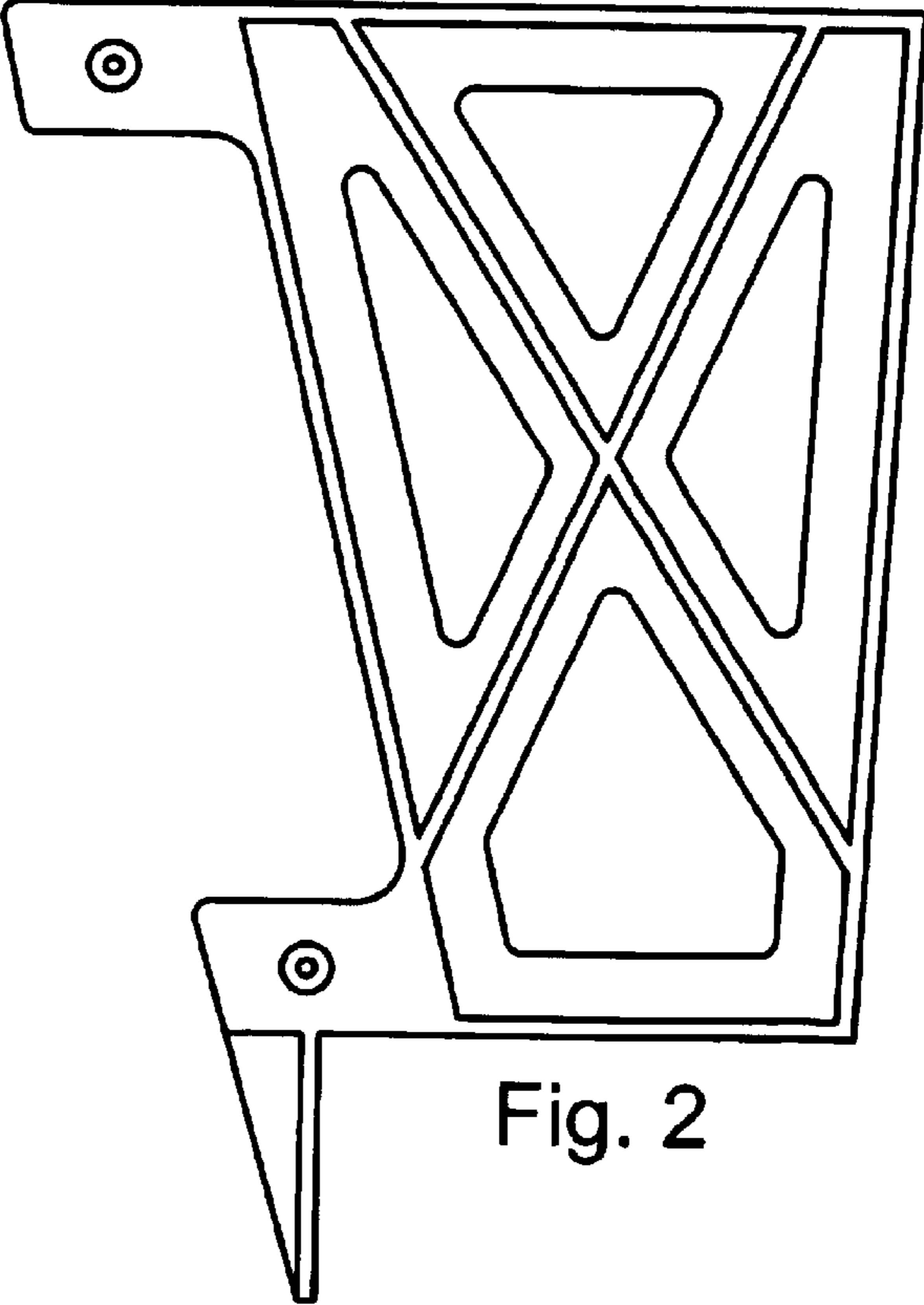


Fig. 2

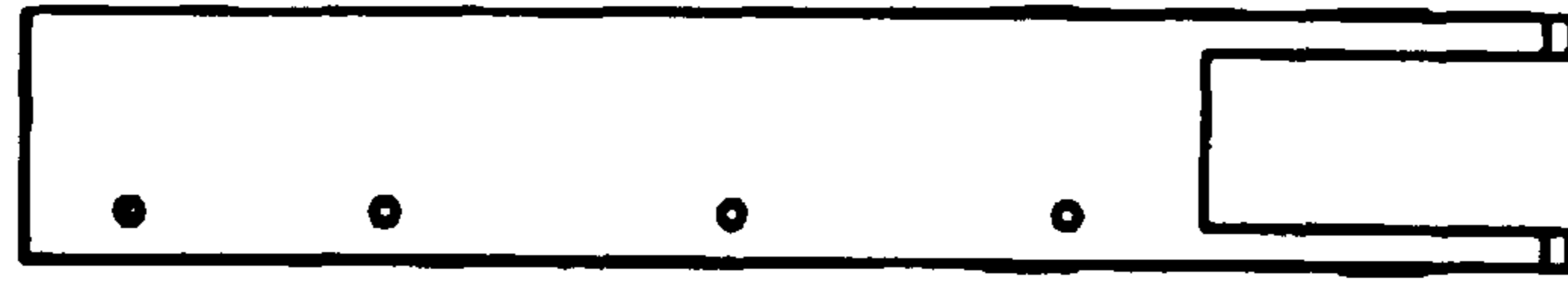


Fig. 3



Fig. 4

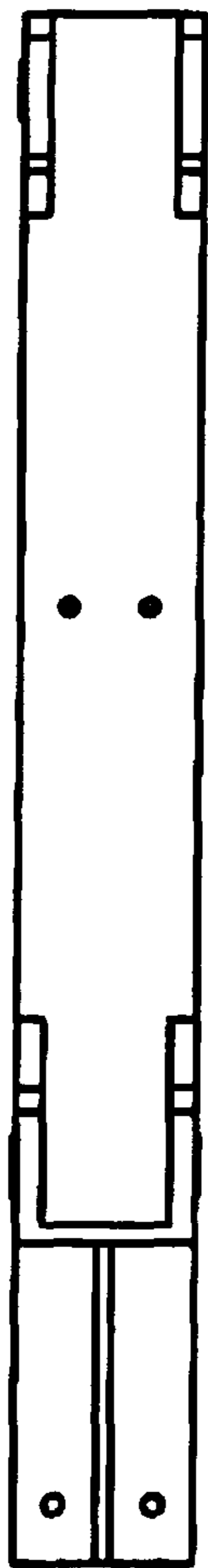


Fig. 5



Fig. 6