



US00D511294S

(12) **United States Design Patent** (10) **Patent No.:** **US D511,294 S**  
**Kovacik et al.** (45) **Date of Patent:** **\*\* Nov. 8, 2005**

(54) **AIR HOSE REEL**  
(75) Inventors: **James D. Kovacik**, Brecksville, OH (US); **Paul S. Blanch**, Broadview Heights, OH (US); **Joseph J. Smith**, Wooster, OH (US)  
(73) Assignee: **Alert Stamping & Mfg. Co., Inc.**, Bedford Hts., OH (US)  
(\*\*) Term: **14 Years**  
(21) Appl. No.: **29/212,258**  
(22) Filed: **Aug. 30, 2004**  
(51) **LOC (8) Cl.** ..... **08-05**  
(52) **U.S. Cl.** ..... **D8/358**  
(58) **Field of Search** ..... D8/358, 359; D32/21; D13/154, 120, 137.4; 242/381.6, 377, 378, 381.3, 381.2, 600, 608; 57/18; 191/12.2 R; D10/62; D22/137; 137/355.23; 439/4; D3/315

D352,449 S \* 11/1994 Rosine ..... D8/359  
D352,928 S \* 11/1994 Ford ..... D13/120  
D360,530 S \* 7/1995 Bobeczko ..... D3/315  
D374,166 S 10/1996 Czerwinski et al.  
5,645,147 A 7/1997 Kovacik et al.  
D404,286 S \* 1/1999 Plantz et al. .... D8/359  
5,890,456 A \* 4/1999 Tancrede ..... 119/794  
D419,426 S 1/2000 Kovacik et al.  
D431,179 S 9/2000 Kovacik et al.  
D434,000 S 11/2000 Miller  
6,170,775 B1 1/2001 Kovacik et al.  
D442,551 S \* 5/2001 Stekelenburg ..... D13/137.4  
D443,590 S \* 6/2001 Vende ..... D13/137.4  
6,273,354 B1 8/2001 Kovacik et al.  
D448,651 S 10/2001 Kovacik et al.  
D448,985 S 10/2001 Kovacik et al.  
D449,513 S \* 10/2001 Stekelenburg ..... D8/358  
D449,974 S \* 11/2001 Stekelenburg ..... D8/358  
D456,242 S \* 4/2002 Stekelenburg ..... D8/358  
D457,806 S \* 5/2002 Stekelenburg ..... D8/358  
6,439,360 B1 8/2002 Miller  
6,470,590 B1 \* 10/2002 Lee ..... 33/767  
D468,189 S 1/2003 Kovacik et al.  
D475,277 S \* 6/2003 Wu ..... D8/358  
D475,609 S \* 6/2003 Lin ..... D8/359

(56) **References Cited**  
U.S. PATENT DOCUMENTS

3,182,139 A 5/1965 Meletti  
3,619,518 A 11/1971 Blanch et al.  
3,715,526 A 2/1973 Blanch et al.  
3,808,382 A 4/1974 Blanch et al.  
4,061,290 A 12/1977 Harrill  
4,244,536 A 1/1981 Harrill  
D260,073 S 8/1981 Wells  
4,282,954 A 8/1981 Hill  
4,338,497 A 7/1982 Drew  
4,350,850 A 9/1982 Kovacik et al.  
D275,263 S 8/1984 Cutler  
4,520,239 A 5/1985 Schwartz  
4,653,833 A 3/1987 Czubernet et al.  
4,656,320 A 4/1987 Maddock  
4,725,697 A 2/1988 Kovacik et al.  
D296,661 S 7/1988 Kovacik et al.  
D313,165 S 12/1990 Kovacik et al.  
D313,166 S \* 12/1990 Kovacik et al. .... D8/358  
D313,167 S 12/1990 Kovacik et al.  
5,014,925 A 5/1991 Crump  
5,209,420 A 5/1993 Simmons et al.

(Continued)

*Primary Examiner*—Jeffrey Asch  
*Assistant Examiner*—Austin Murphy  
(74) *Attorney, Agent, or Firm*—Buteel Long

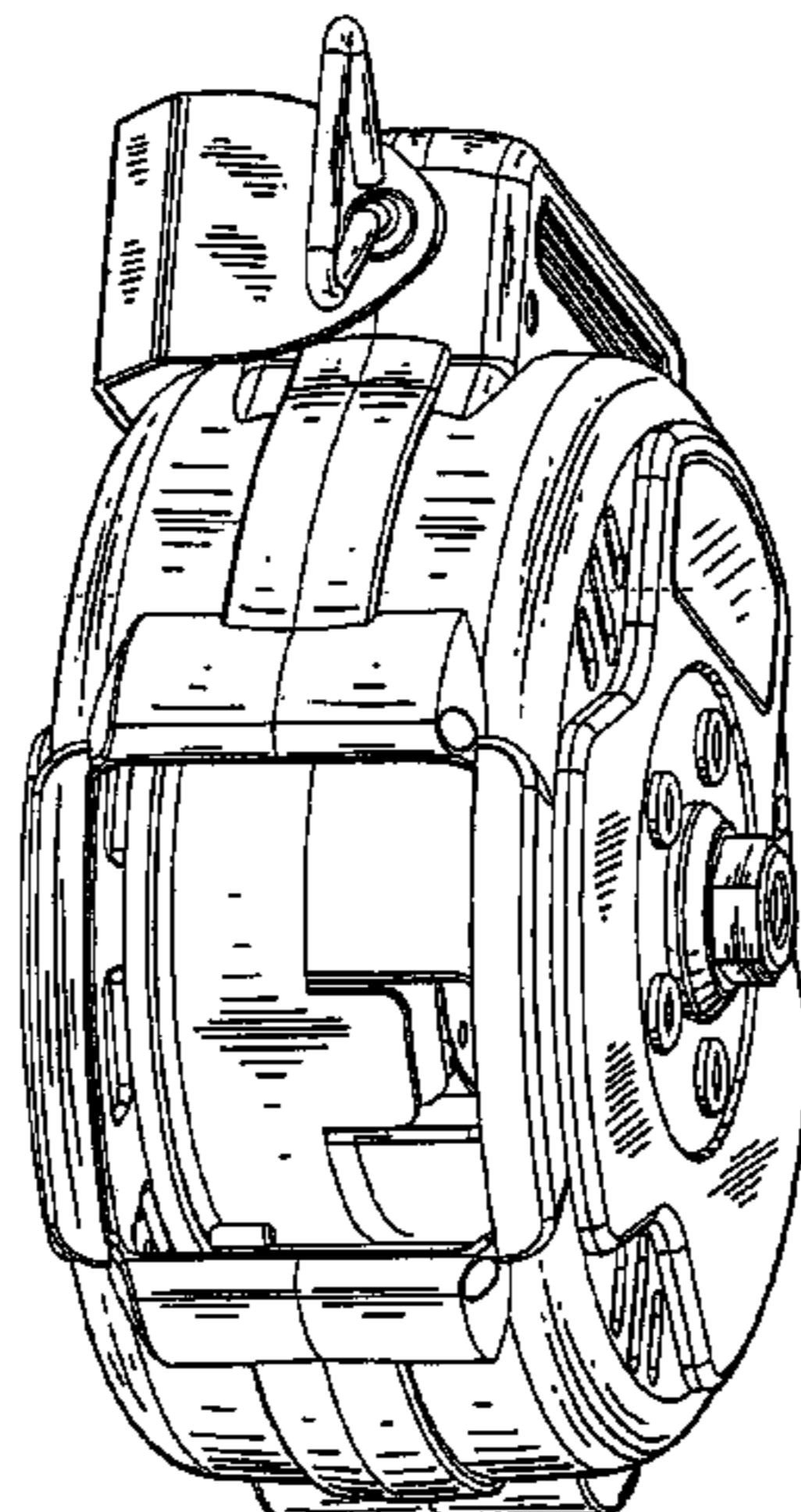
(57) **CLAIM**

The ornamental design for an air hose reel, as shown.

**DESCRIPTION**

FIG. 1 is a left side perspective view of an air hose reel of the present invention;  
FIG. 2 is a front elevation view thereof;  
FIG. 3 is a rear elevation view thereof;  
FIG. 4 is a top plan view thereof;  
FIG. 5 is a bottom plan view thereof;  
FIG. 6 is a left side elevation view thereof; and,  
FIG. 7 is a right side elevation view thereof.

**1 Claim, 5 Drawing Sheets**



# US D511,294 S

Page 2

---

## U.S. PATENT DOCUMENTS

D476,879 S	*	7/2003	Chu .....	D8/358	D490,693 S	*	6/2004	McMillan .....	D8/359
D479,979 S		9/2003	Kovacik et al.		D491,444 S	*	6/2004	Nicholls .....	D8/358
D482,326 S	*	11/2003	Stekelenburg .....	D13/137.4	D496,253 S	*	9/2004	Kovacik et al. ....	D8/358
D488,448 S	*	4/2004	Ranger .....	D13/154					

\* cited by examiner

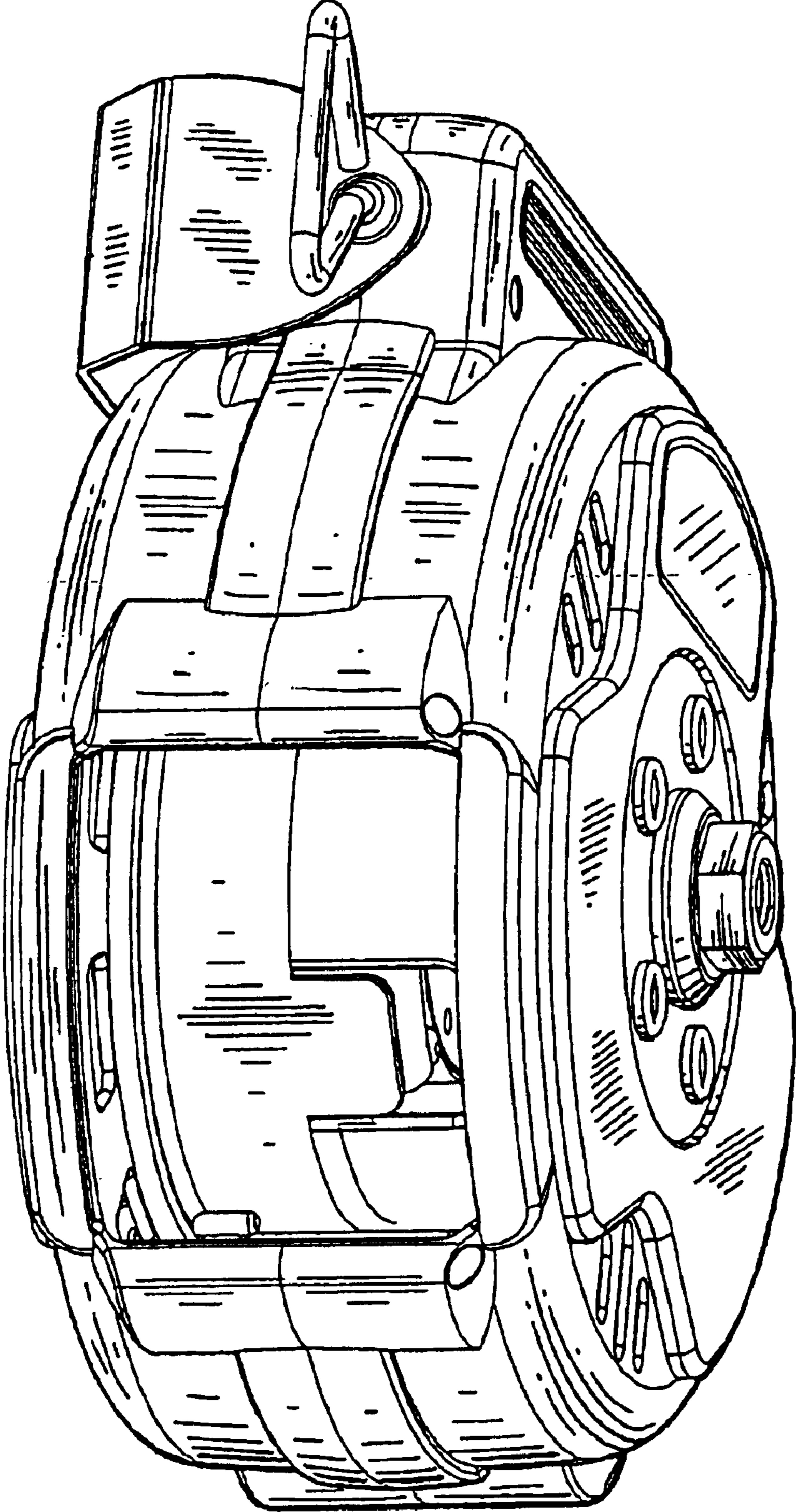


FIG. 1

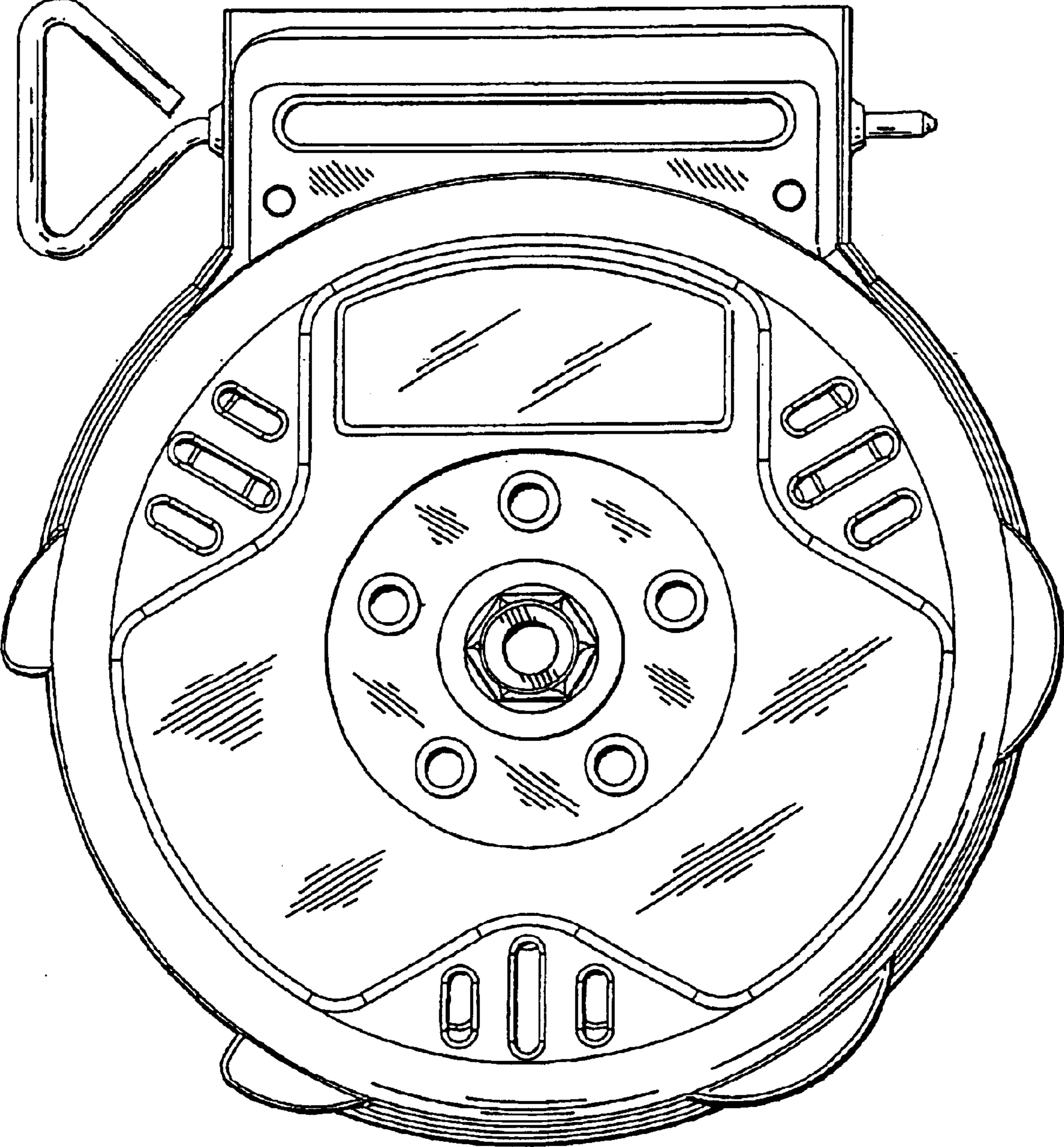


FIG. 2

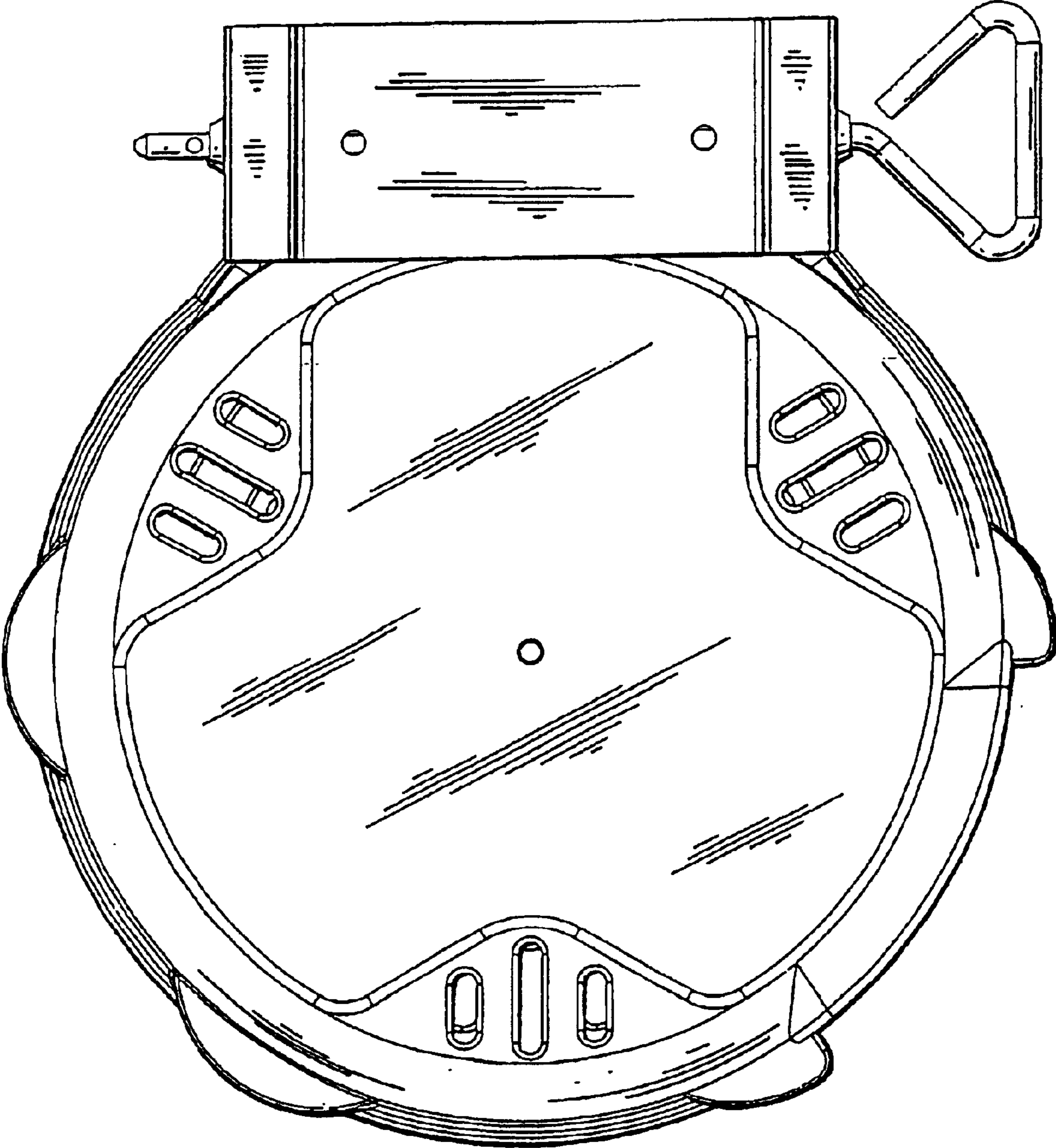


FIG. 3

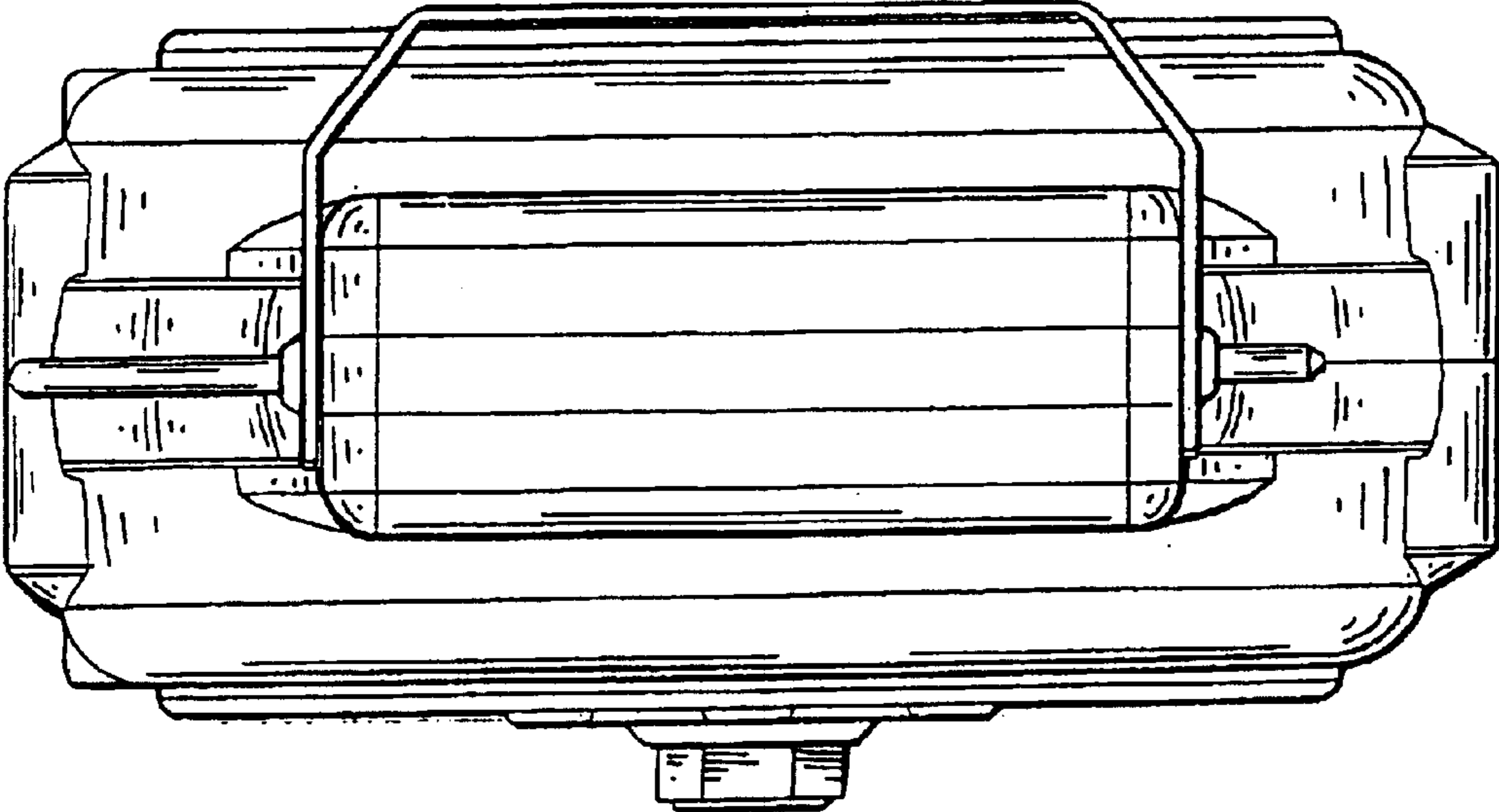


FIG. 4

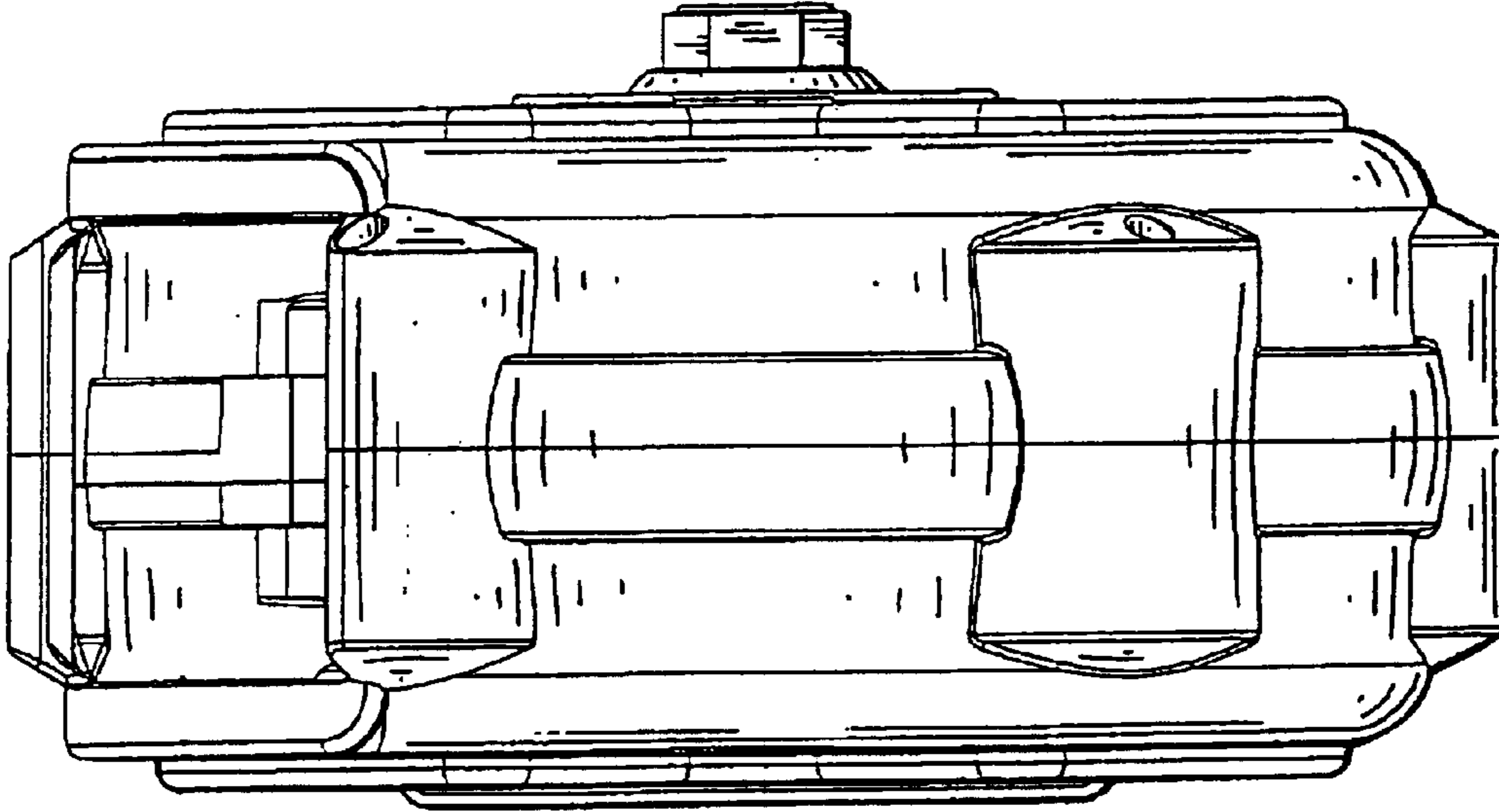


FIG. 5

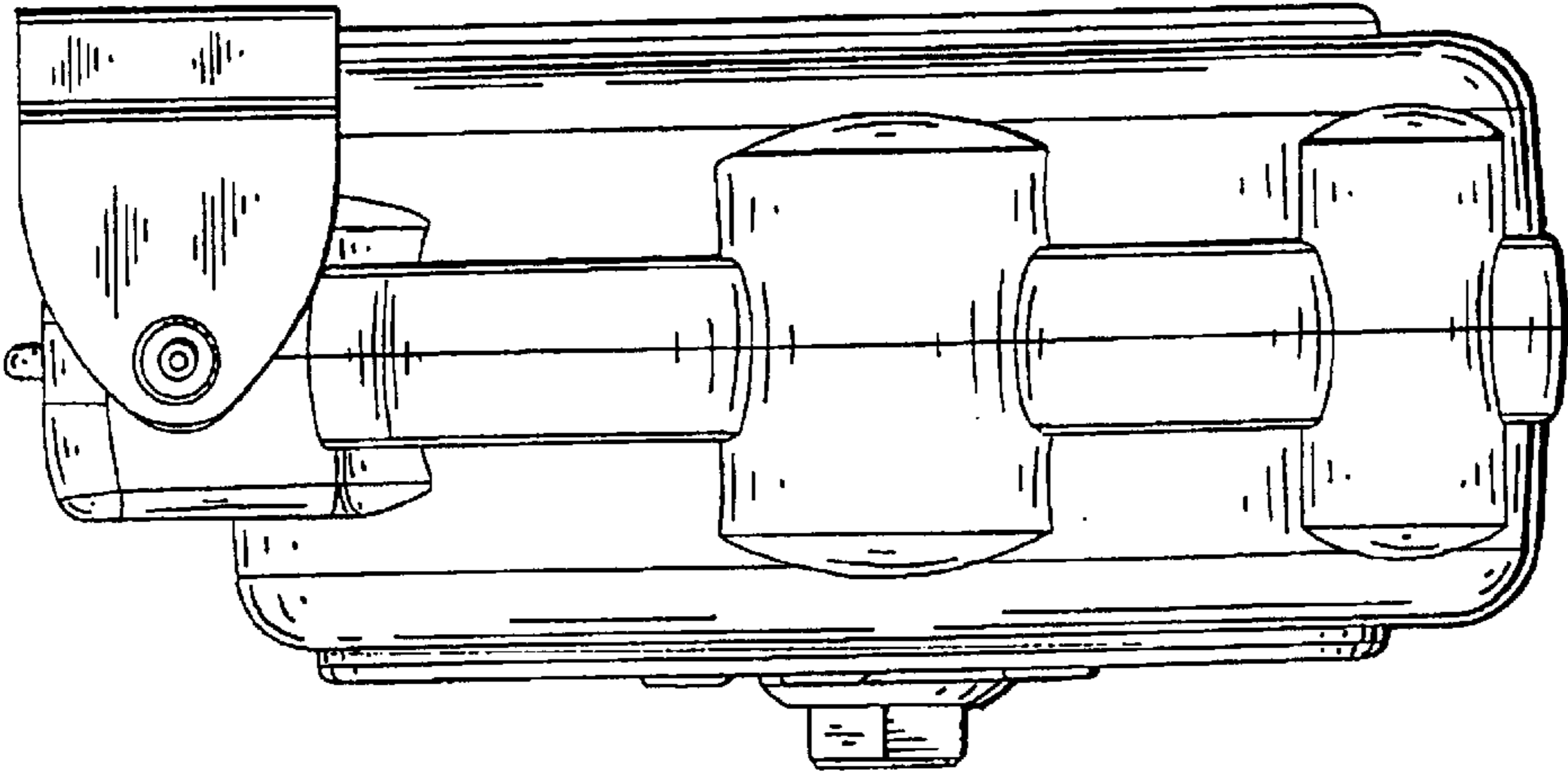


FIG. 7

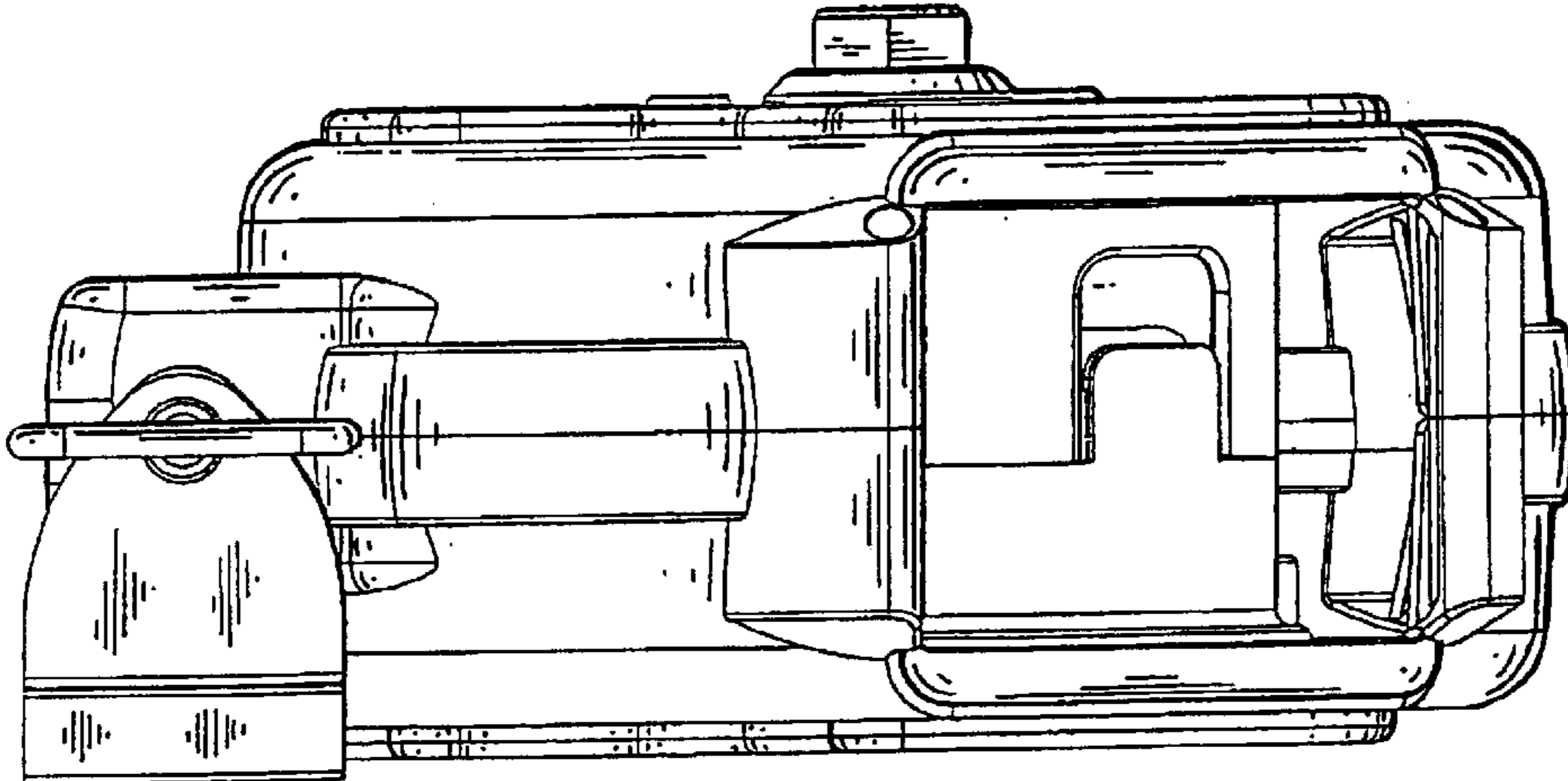


FIG. 6