



US00D511292S

(12) **United States Design Patent**
Hohmann et al.

(10) **Patent No.: US D511,292 S**
(45) **Date of Patent: ** Nov. 8, 2005**

- (54) **LOCK**
- (75) Inventors: **Rolf Hohmann**, Menomonee Falls, WI (US); **John Zapushek**, Racine, WI (US); **Chris Irgens**, Elm Grove, WI (US)
- (73) Assignee: **Master Lock Company**, Oakcreek, WI (US)
- (**) Term: **14 Years**
- (21) Appl. No.: **29/185,685**
- (22) Filed: **Jul. 1, 2003**
- (51) **LOC (8) Cl. 08-07**
- (52) **U.S. Cl. D8/331; D8/343**
- (58) **Field of Search D8/330, 331, 341, D8/343, 336, 339; 70/14, 26, 39, 52, 58, 51, 33, 34, 91, 181, 208, 232, 431; 292/86, 42, 119, 156**

4,438,642 A	3/1984	De Jong	
4,440,005 A	4/1984	Bulle	
4,576,021 A	3/1986	Holden	
4,619,122 A	10/1986	Simpson	
4,637,234 A	1/1987	Mielonen	
4,711,106 A	12/1987	Johnson	
4,730,468 A	3/1988	Becker	
4,732,019 A	3/1988	Tolar	
D295,606 S	* 5/1988	Ault	D8/330
4,888,967 A	12/1989	Kuo	
4,964,285 A	10/1990	Lakoski	
5,004,133 A	4/1991	Wyers	
5,022,243 A	6/1991	Embry	
5,027,630 A	7/1991	Stillwagon	
5,050,413 A	9/1991	Stillwagon	
5,063,763 A	11/1991	Johnson	
D330,153 S	* 10/1992	Jakubas	D8/343

(Continued)

FOREIGN PATENT DOCUMENTS

DE	2425386 A1	12/1975
EP	0415355 B1	3/1991
GB	1205190 A	9/1970
GB	2248650 A	4/1992
SU	1633073 A1	3/1991

Primary Examiner—Prabhakar Deshmukh
(74) *Attorney, Agent, or Firm*—Calfee, Halter & Griswold LLP

(57) **CLAIM**

The ornamental design for a lock, as shown and described.

DESCRIPTION

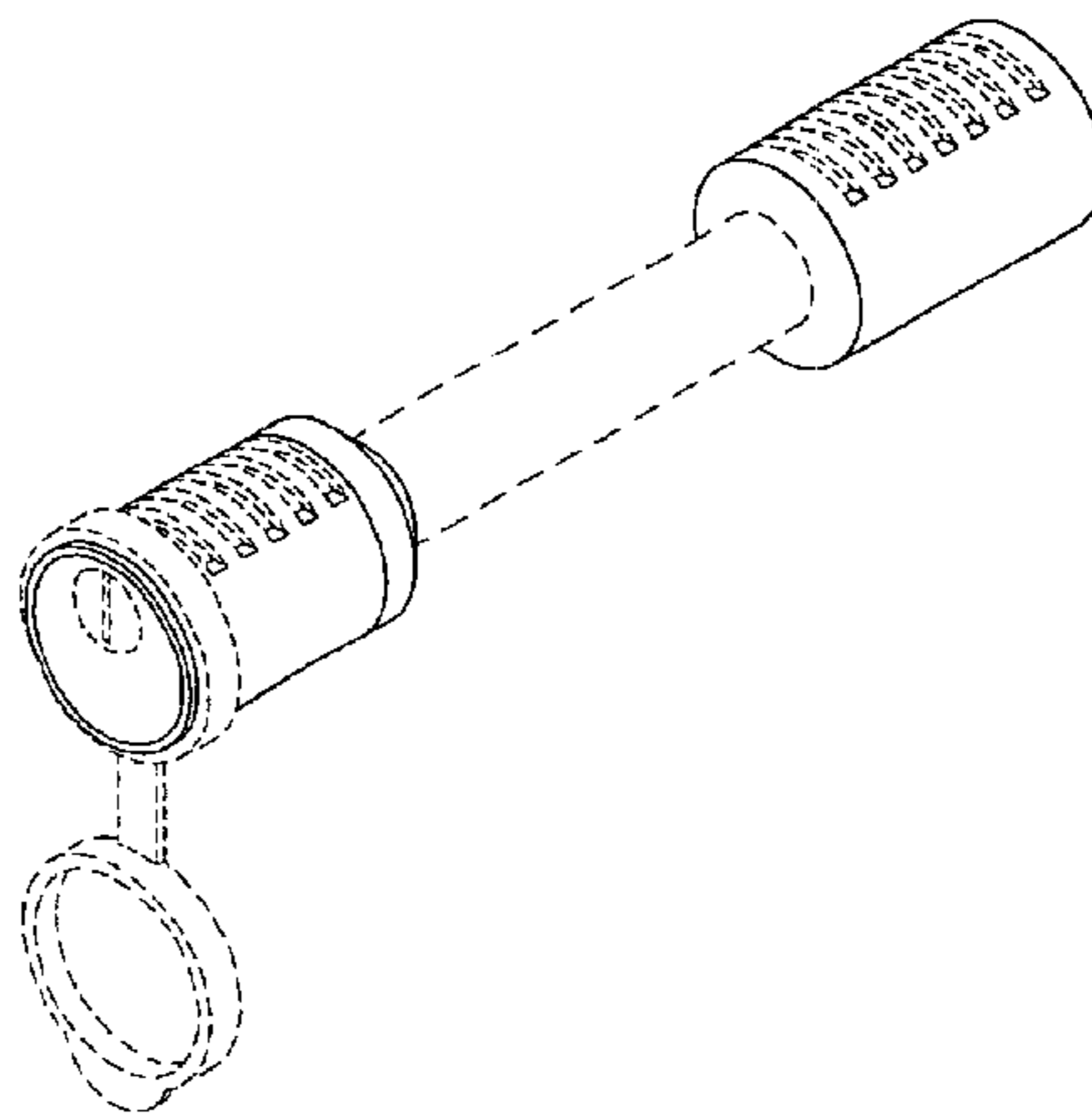
FIG. 1 is a perspective view of a lock;
FIG. 2 is a left side elevational view of the lock of FIG. 1 with the end cap open;
FIG. 3 is a top plan view of the lock of FIG. 1;
FIG. 4 is a front elevational view of the lock of FIG. 1;
FIG. 5 is a right side elevational view of the lock of FIG. 1 with the end cap open;
FIG. 6 is a rear elevational view of the lock of FIG. 1; and,
FIG. 7 is a bottom plan view of the lock of FIG. 1.
The broken lines are for illustration only and form no part of the claimed design.

1 Claim, 2 Drawing Sheets

(56) **References Cited**

U.S. PATENT DOCUMENTS

1,566,473 A	12/1925	Gibson
2,541,638 A	2/1951	Clevett
2,677,261 A	5/1954	Jacobi
3,197,239 A	7/1965	Jezek, Jr.
3,453,846 A	7/1969	Owen
3,559,429 A	2/1971	Hermann
3,652,114 A	3/1972	Cady
3,721,112 A	3/1973	Wellekens
3,783,657 A	1/1974	Foote
3,843,160 A	10/1974	Frushour
3,902,339 A	9/1975	Carley
3,908,415 A	9/1975	Foote
3,911,761 A	10/1975	Cornellier
3,963,264 A	6/1976	Down
3,999,414 A	12/1976	Leitner
4,141,232 A	2/1979	Kelly
4,198,026 A	4/1980	Capolupo
4,226,100 A	10/1980	Hampton
4,236,395 A	12/1980	Avaiusini
4,277,961 A	7/1981	Williams
4,298,212 A	11/1981	Jamison



US D511,292 S

Page 2

U.S. PATENT DOCUMENTS

5,152,160 A	10/1992	Lentini					
5,197,314 A	3/1993	Stillwagon					
5,216,903 A	6/1993	Chen					
5,269,161 A	12/1993	Stillwagon					
5,272,894 A	12/1993	Stillwagon					
5,284,038 A	2/1994	Johnson					
5,315,849 A	* 5/1994	Georgopoulos	70/34			
5,447,045 A	9/1995	Cheng					
5,467,619 A	11/1995	Stillwagon					
5,540,065 A	7/1996	Wyers					
5,544,506 A	* 8/1996	Nakano	70/34			
5,664,445 A	9/1997	Chang					
5,676,258 A	10/1997	Leyden					
					5,682,775 A	* 11/1997	Baber 70/34
					5,794,465 A	8/1998	Hill
					6,055,832 A	5/2000	Wyers
					D428,795 S	8/2000	Wyers
					D439,827 S	4/2001	Wyers
					D444,050 S	6/2001	Wyers
					D445,667 S	7/2001	Johnson
					D447,043 S	8/2001	Wyers
					D461,392 S	8/2002	Zapushek
					6,575,000 B1	* 6/2003	Li 70/34
					D484,773 S	* 1/2004	Wyers D8/330
					2002/0108407 A1	8/2002	Zapushek

* cited by examiner

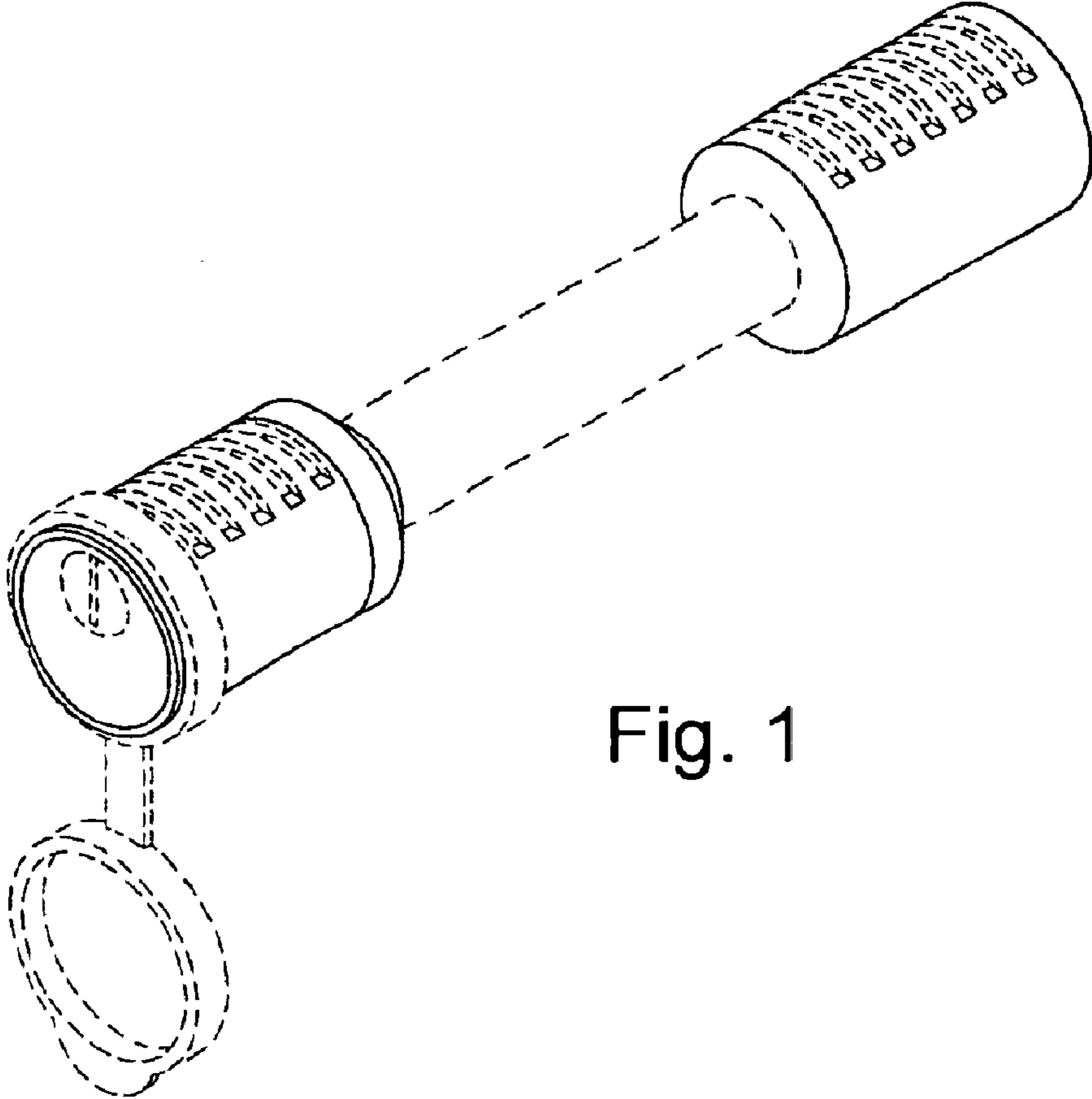


Fig. 1

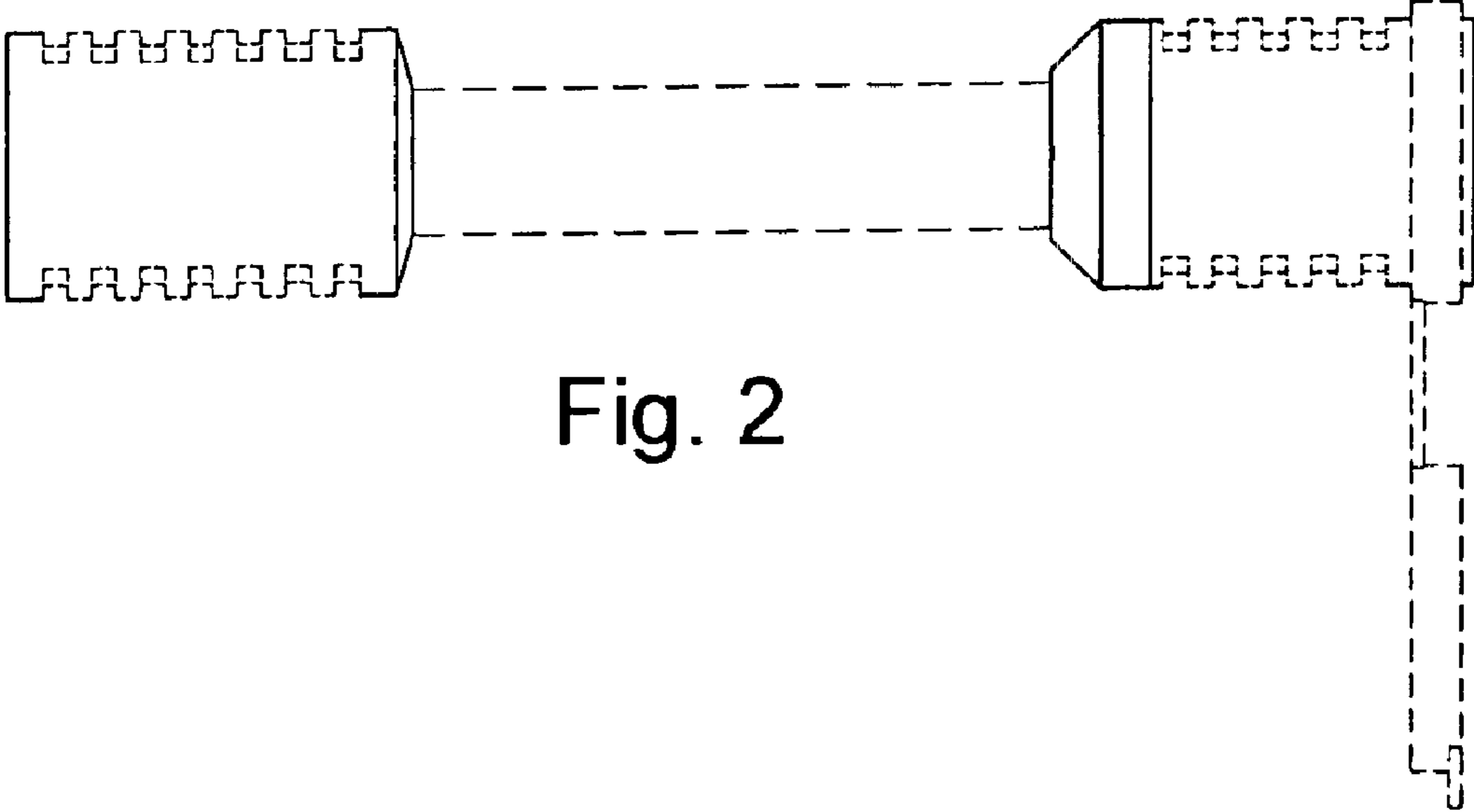


Fig. 2

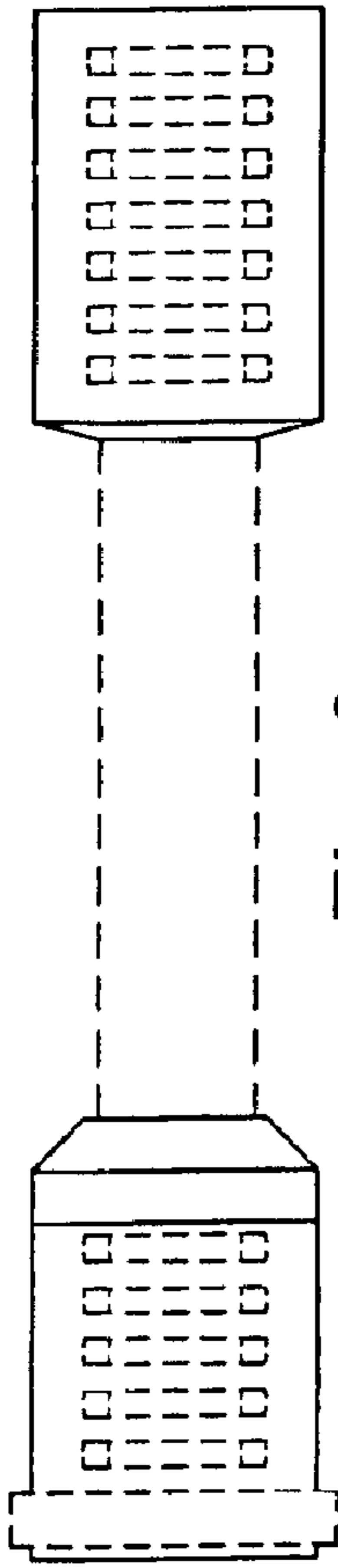


Fig. 3

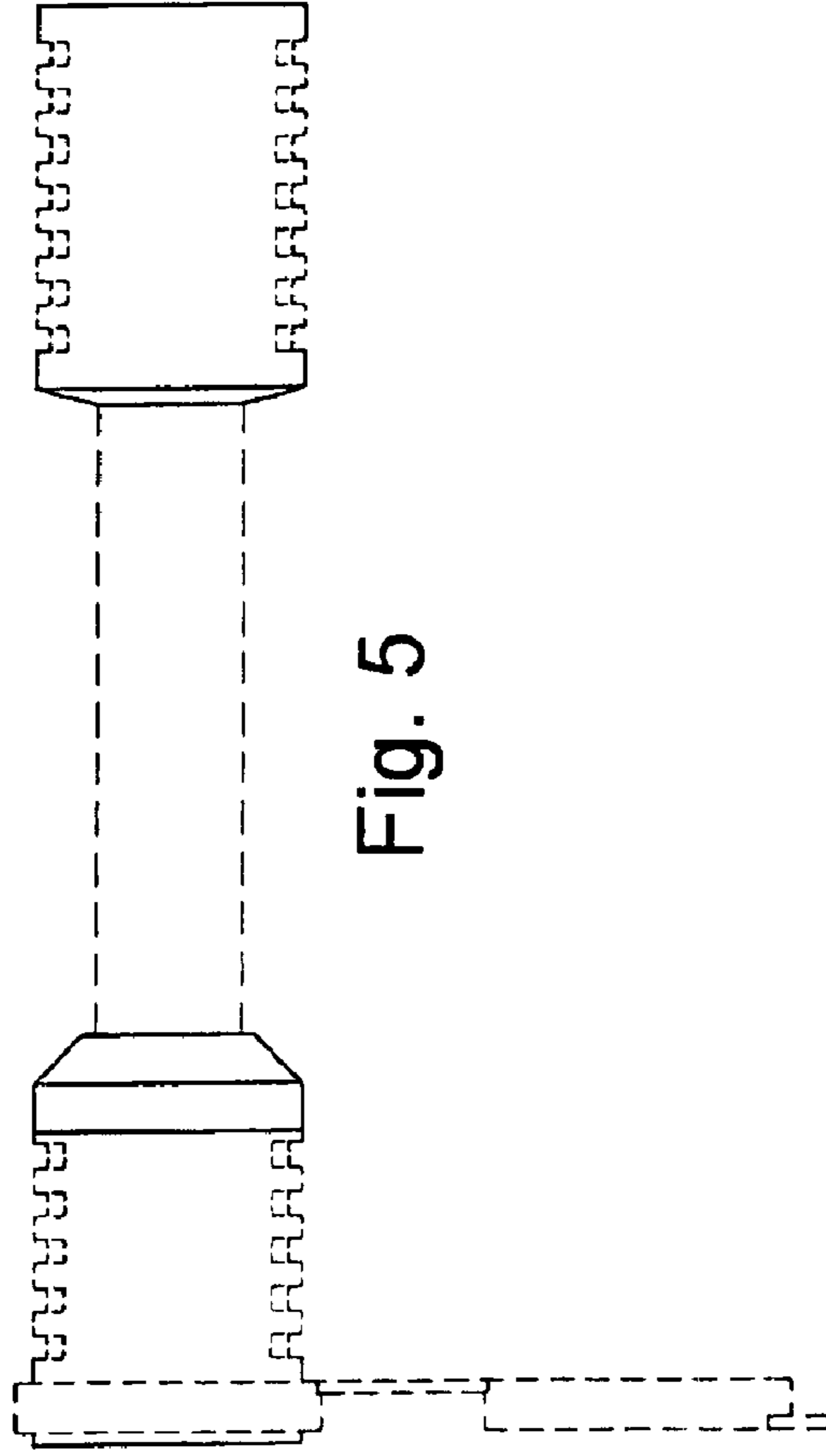


Fig. 5

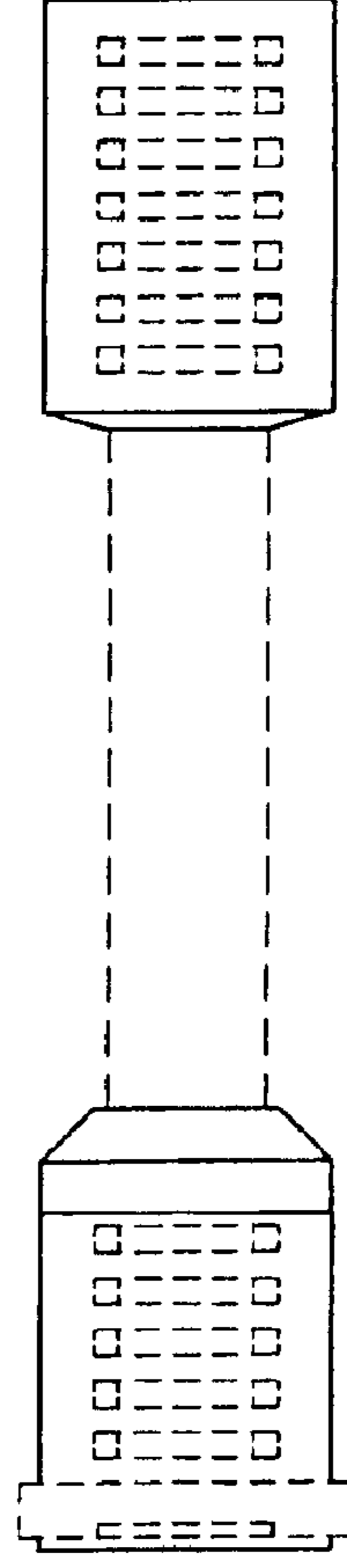


Fig. 7

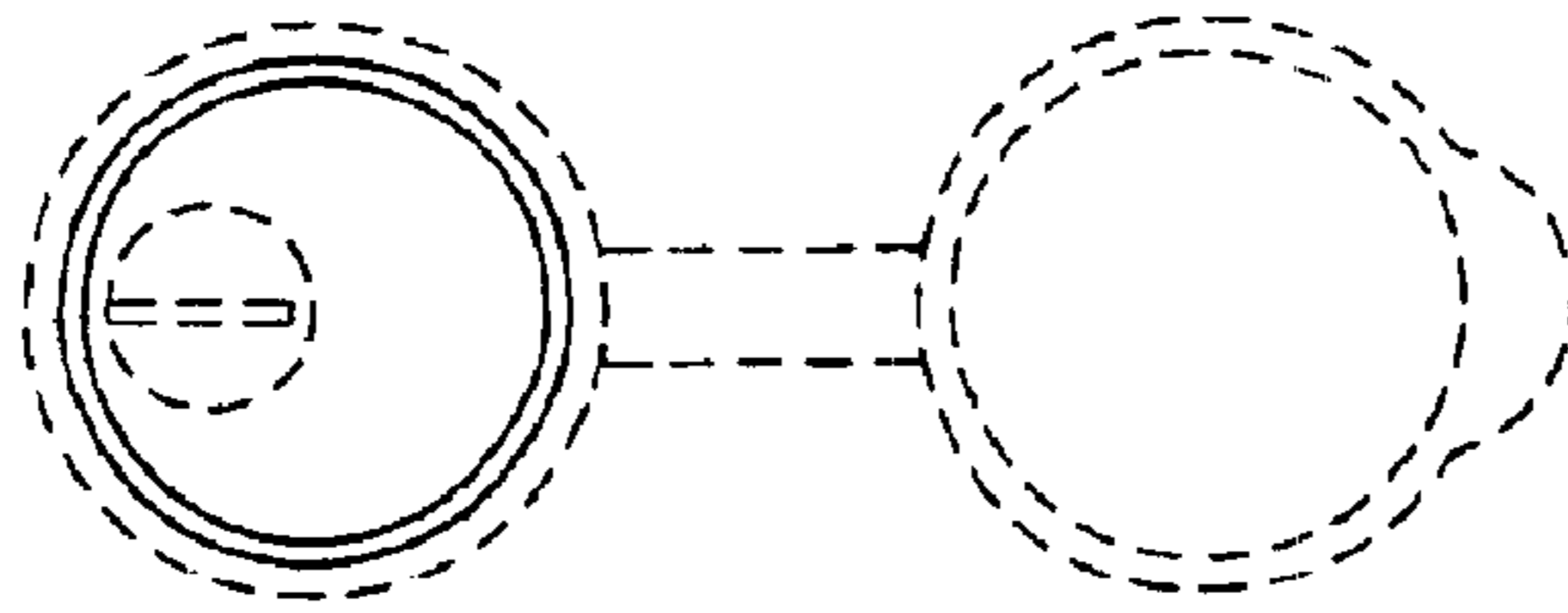


Fig. 4

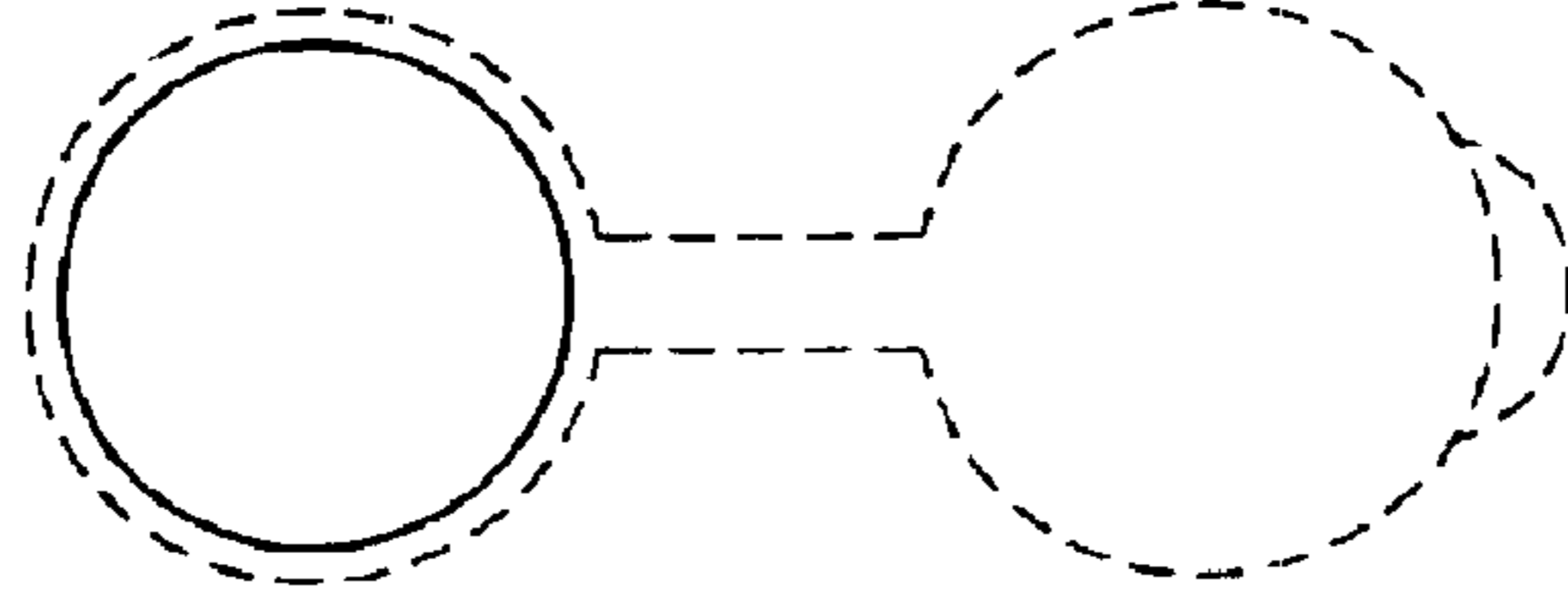


Fig. 6