



US00D511289S

(12) **United States Design Patent**
Hansen

(10) **Patent No.: US D511,289 S**
(45) **Date of Patent: ** Nov. 8, 2005**

(54) **HANDLE ASSEMBLY FOR VEHICLES**
(76) Inventor: **Randall C. Hansen**, 6 Old Mill Ct.,
Columbia, SC (US) 29206
(**) Term: **14 Years**

D488,702 S * 4/2004 Hansen D8/350
D488,994 S * 4/2004 Hansen D8/350
D490,292 S * 5/2004 Hansen D8/352
D501,129 S * 1/2005 Hansen D8/321
D501,393 S * 2/2005 Hansen D8/321

(21) Appl. No.: **29/136,186**
(22) Filed: **Jan. 25, 2001**

Related U.S. Application Data

(63) Continuation of application No. 29/061,771, filed on Oct. 30, 1996, now abandoned.
(51) **LOC (8) Cl.** **08-06**
(52) **U.S. Cl.** **D8/306**
(58) **Field of Search** D8/306, 310, 315-320,
D8/331; 292/336.3, DIG. 3, DIG. 23, DIG. 67;
70/91, 202, 208

(56) **References Cited**

U.S. PATENT DOCUMENTS

2,402,348 A * 6/1946 Schroeder
2,666,319 A * 1/1954 Price
2,923,145 A * 2/1960 Labrie
D316,365 S * 4/1991 Hansen D8/331
D389,393 S * 1/1998 Hansen D8/310
D488,052 S * 4/2004 Hansen D8/352

OTHER PUBLICATIONS

Design News; p. 12; cup and drop handle Jun. 1961.*
* cited by examiner

Primary Examiner—Paula A. Greene
(74) *Attorney, Agent, or Firm*—Dority & Manning, P.A.

(57) **CLAIM**

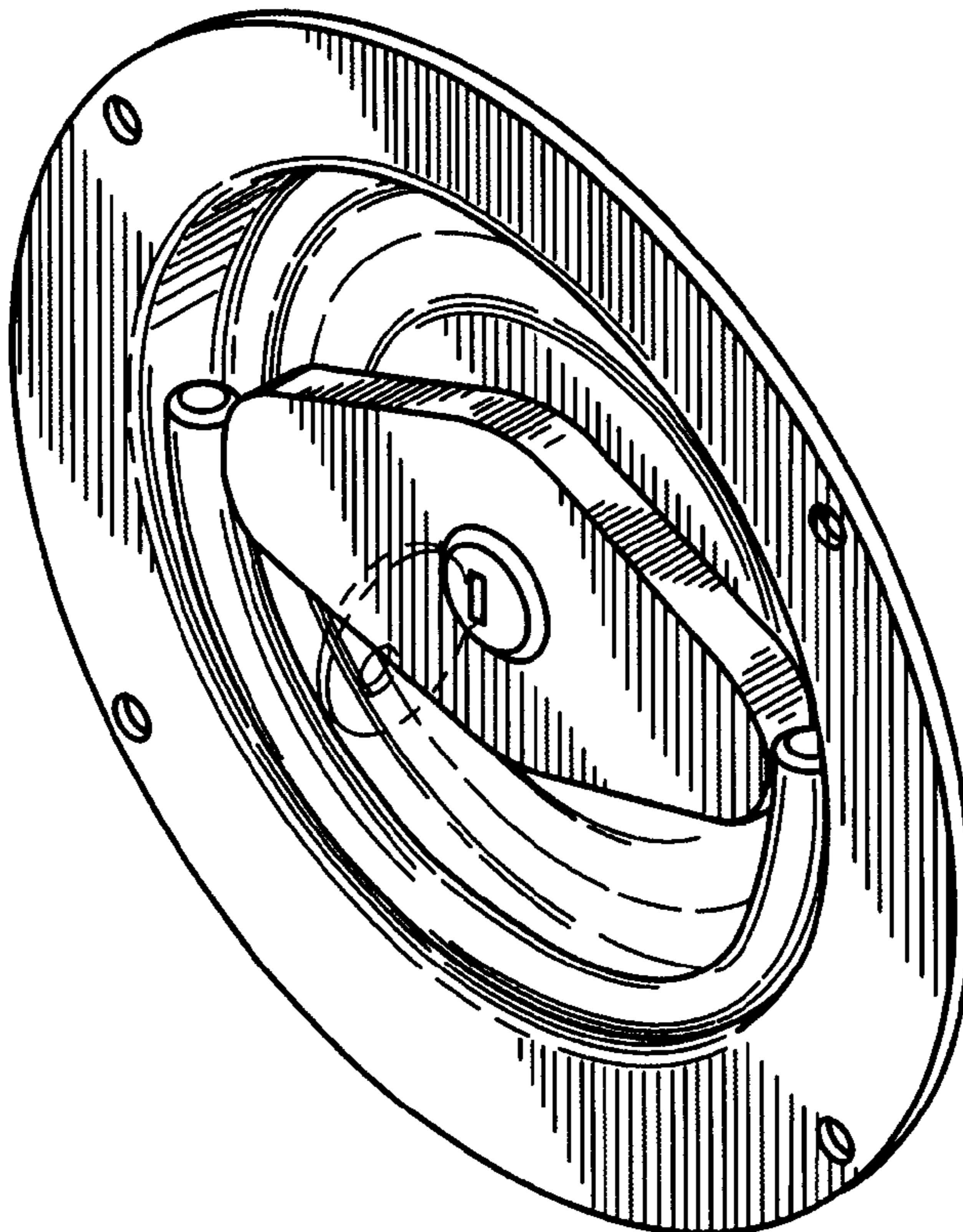
The ornamental design for handle assembly for vehicles, as shown and described.

DESCRIPTION

FIG. 1 is a perspective view of a handle assembly for vehicles, the portion of the key being shown in broken lines for illustrative purposes only and forming no part of the claimed design.

FIG. 2 is a front view thereof;
FIG. 3 is a side view thereof;
FIG. 4 is a bottom view thereof.
FIG. 5 is a back view thereof; and,
FIG. 6 is a top view thereof.

1 Claim, 2 Drawing Sheets



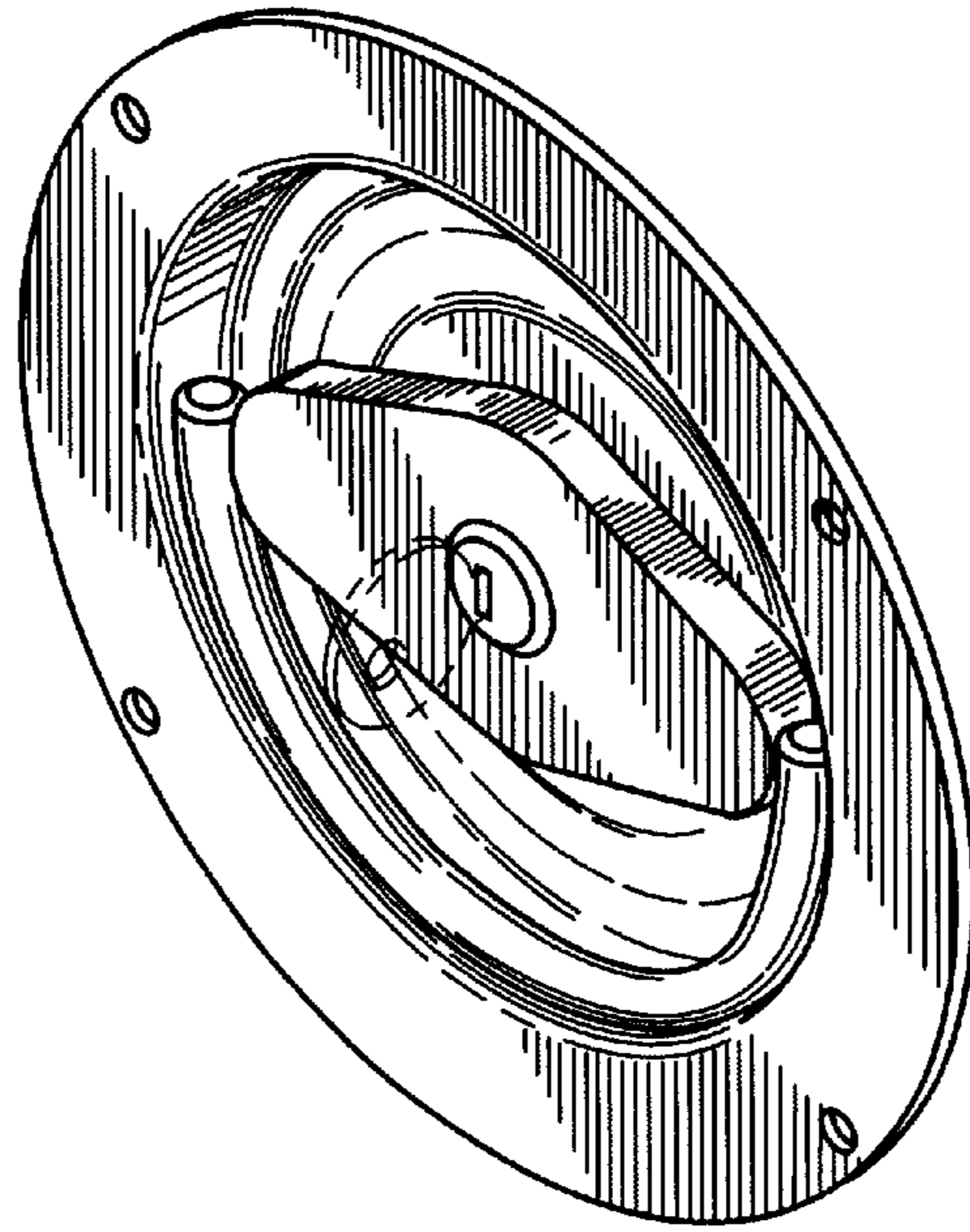


Fig. 1

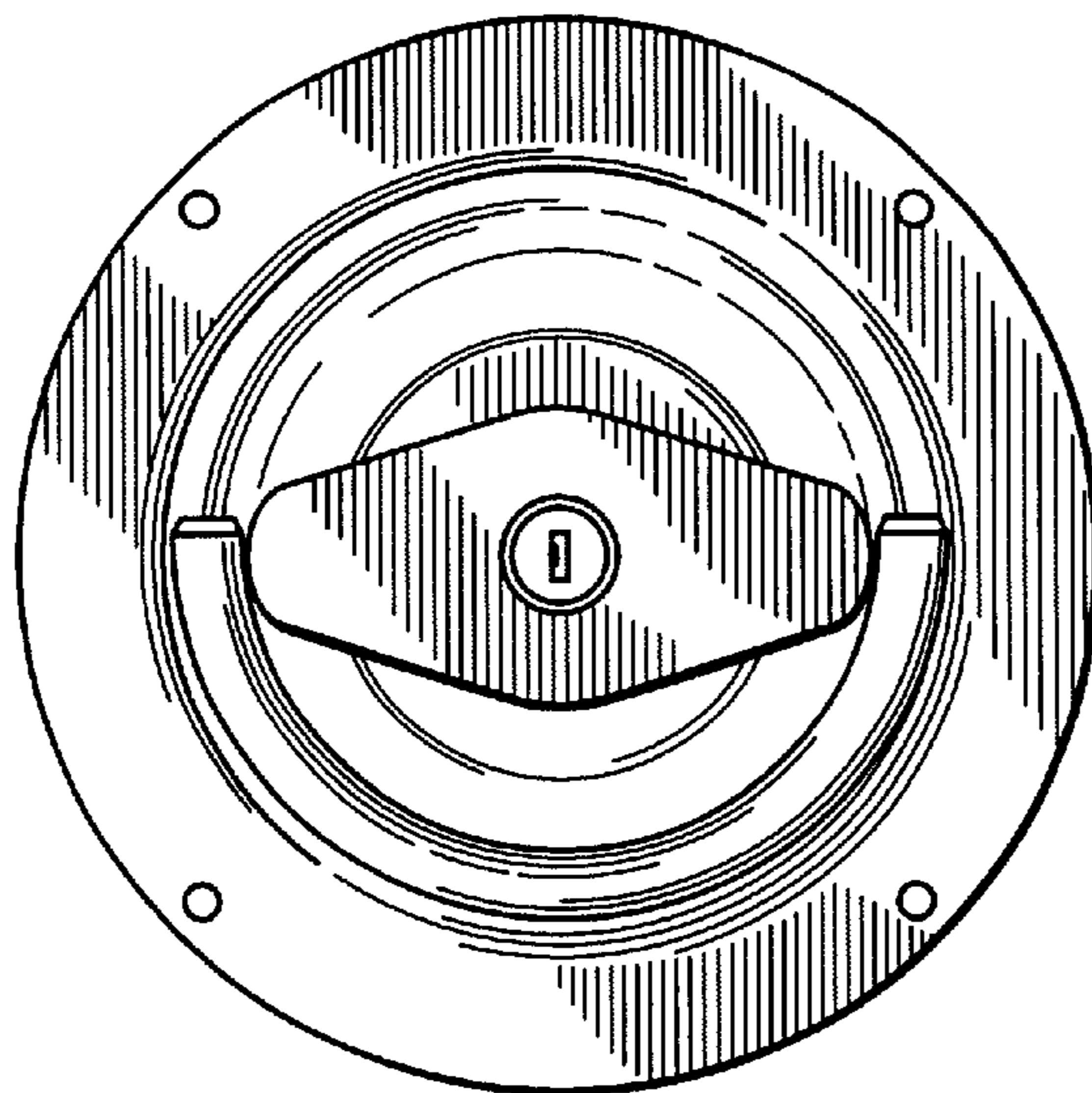


Fig. 2



Fig. 3

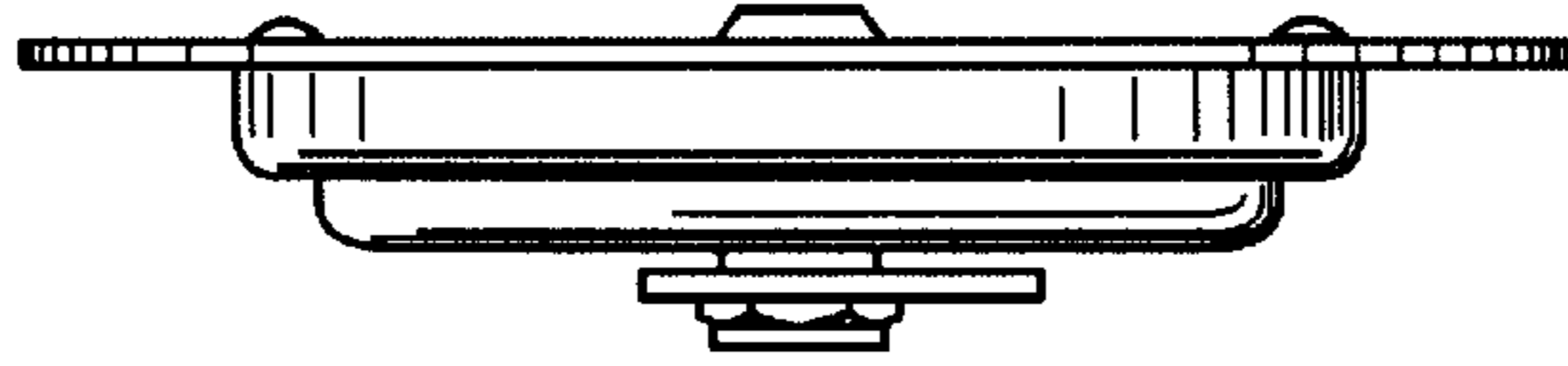


Fig. 4

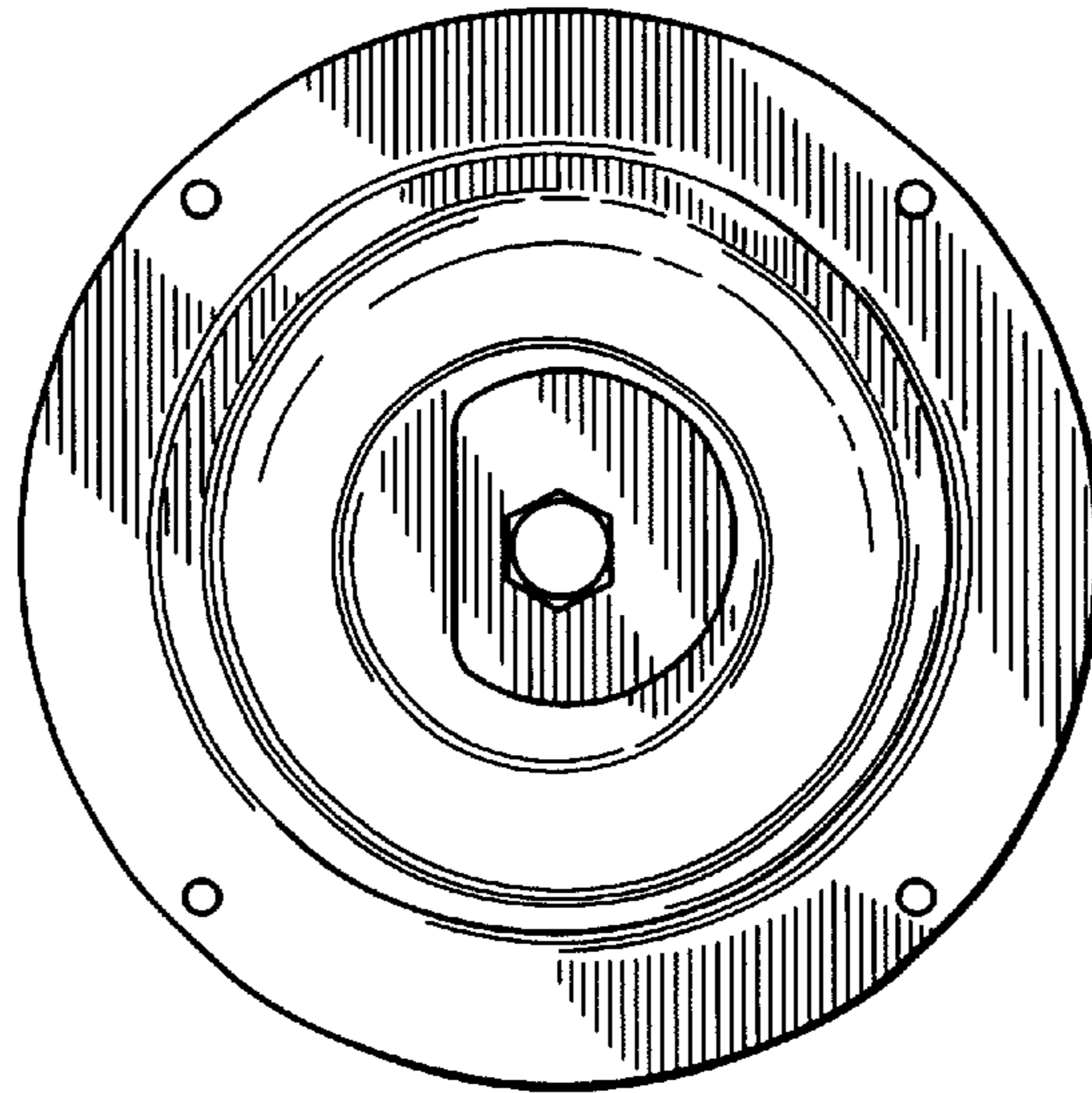


Fig. 5

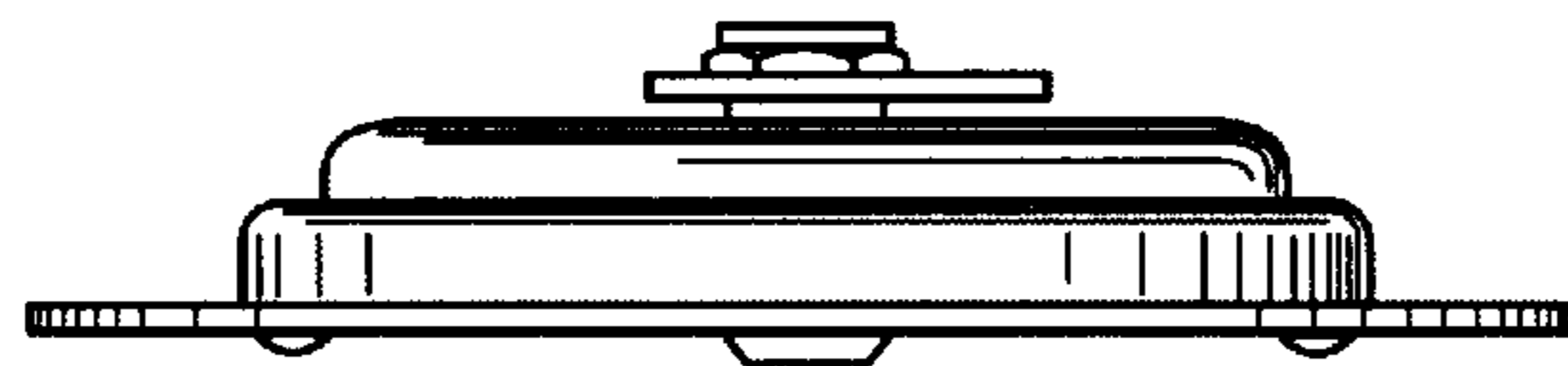


Fig. 6