



US00D511284S

(12) **United States Design Patent**
Henssler et al.

(10) **Patent No.:** **US D511,284 S**
(45) **Date of Patent:** **** Nov. 8, 2005**

(54) **OSCILLATORY DRIVE**

D476,870 S * 7/2003 Hayakawa et al. D8/61

(75) Inventors: **Heinrich Henssler**, Schwaebisch,
Gmuend (DE); **Martin Schultheiss**,
Schwaebisch, Gmuend (DE)

FOREIGN PATENT DOCUMENTS

DE M9601946.8 7/1996

* cited by examiner

(73) Assignee: **S. & E. Fein GmbH** (DE)

Primary Examiner—Jeffrey Asch

(**) Term: **14 Years**

Assistant Examiner—Elizabeth Albert

(21) Appl. No.: **29/203,826**

(74) *Attorney, Agent, or Firm*—St. Onge Steward Johnston
& Reens LLC

(22) Filed: **Apr. 20, 2004**

(57) **CLAIM**

(30) **Foreign Application Priority Data**

The ornamental design for an oscillatory drive, as shown and described.

Oct. 20, 2003 (EP) 000089982

DESCRIPTION

(51) **LOC (8) Cl.** **08-05**

FIG. 1 is a side elevational view of an oscillatory drive showing our new design;

(52) **U.S. Cl.** **D8/61**

FIG. 2 is an opposite side elevational view of the oscillatory drive of FIG. 1;

(58) **Field of Search** D8/61, 62, 70;
81/54, 57.11, 57.13, 57.14, 57.29, 57.39,
177.1, 429, 469; 173/168, 169, 170, 182,
216, 217, 221; 310/47, 50

FIG. 3 is a top perspective view of the oscillatory drive of FIG. 1;

(56) **References Cited**

FIG. 4 is a bottom plan view of the oscillatory drive of FIG. 1;

U.S. PATENT DOCUMENTS

D323,961 S * 2/1992 Fushiya et al. D8/61
D351,772 S * 10/1994 Price D8/62
D437,199 S * 2/2001 Robson D8/62
D438,077 S * 2/2001 Schmid D8/61
D447,029 S * 8/2001 Sun et al. D8/61

FIG. 5 is a top plan view of the oscillatory drive of FIG. 1;

FIG. 6 is a rear end view of the oscillatory drive of FIG. 1;

and,

FIG. 7 is a front end view of the oscillatory drive of FIG. 1.

1 Claim, 7 Drawing Sheets

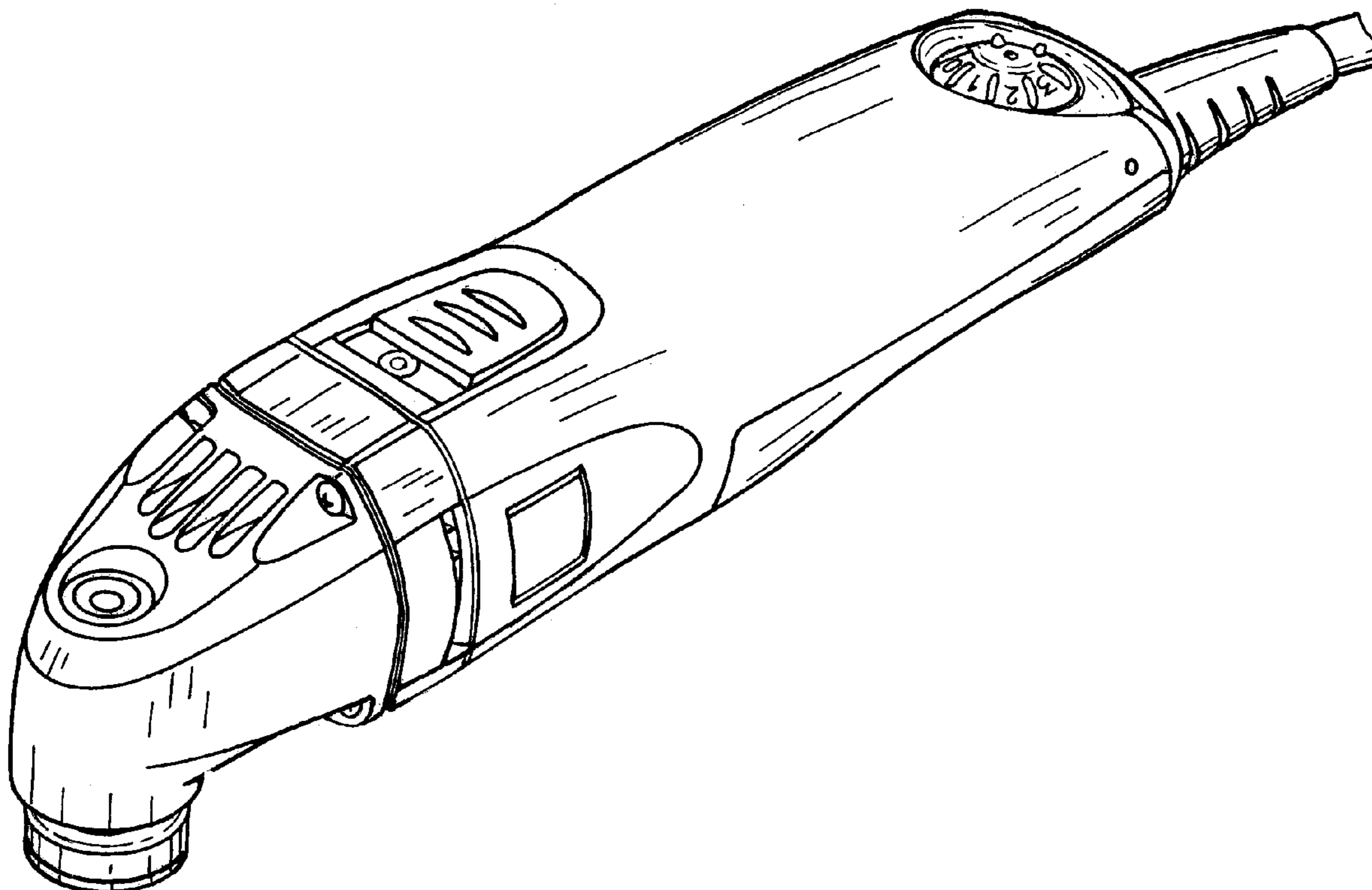




FIG. 1

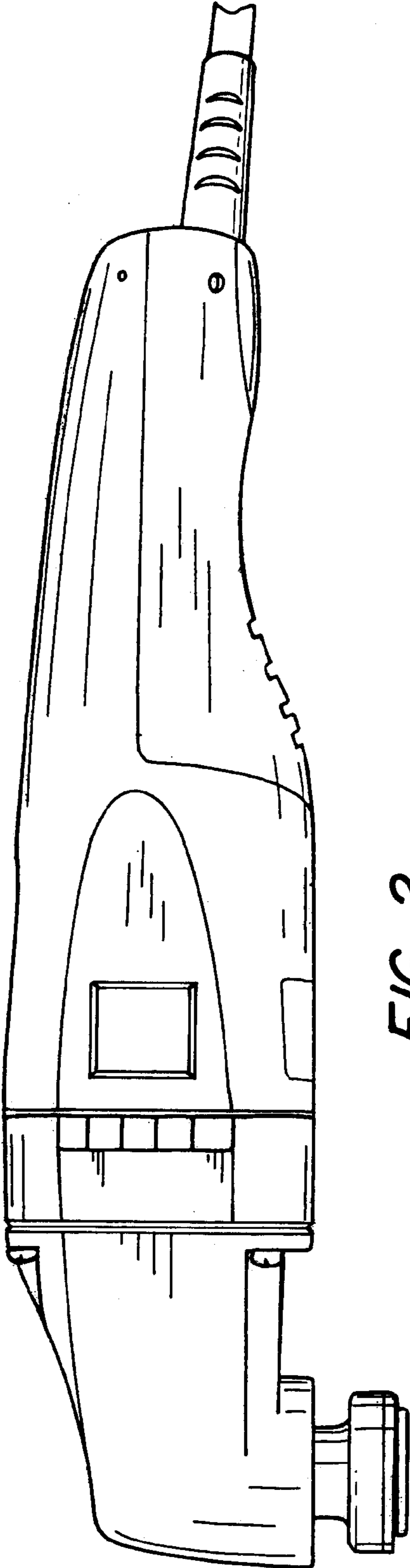


FIG. 2

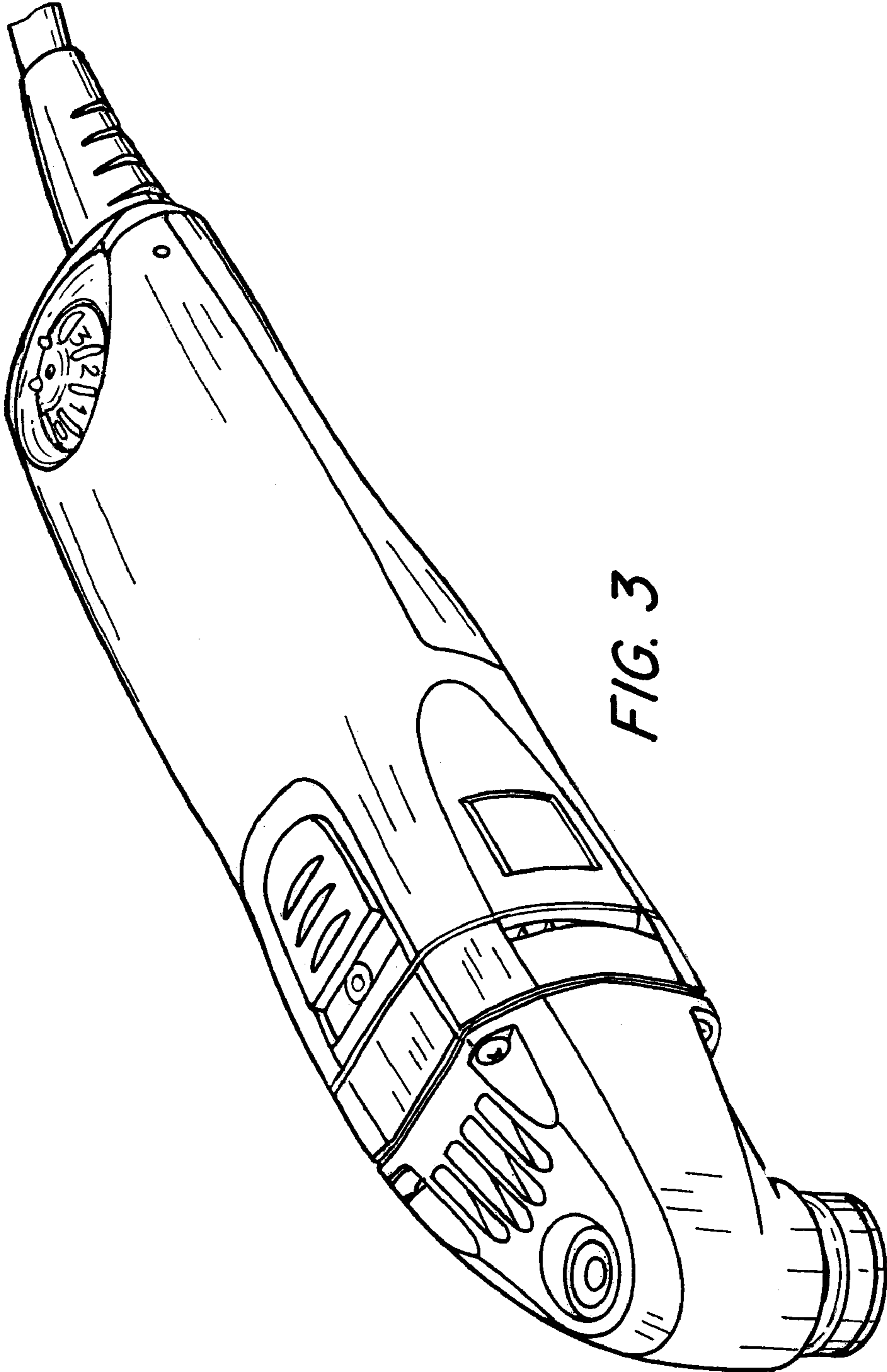


FIG. 3

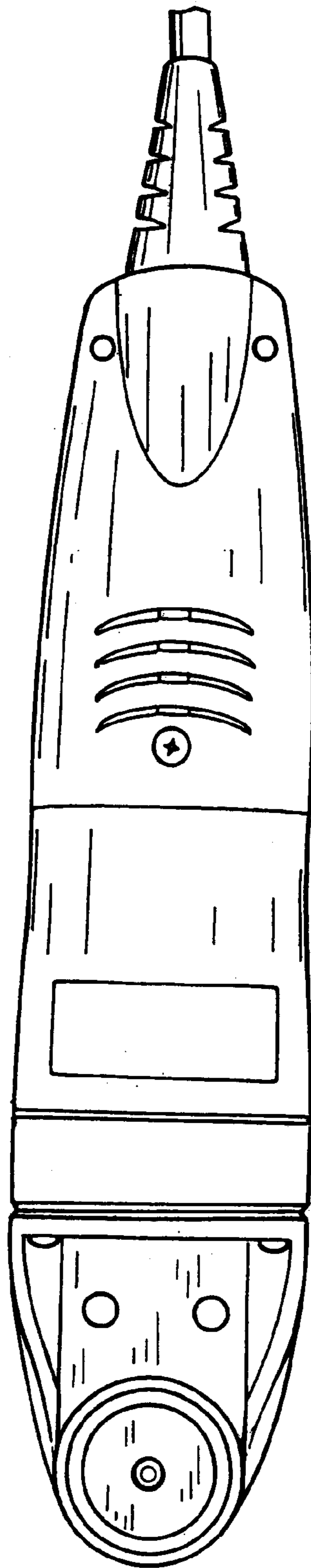


FIG. 4

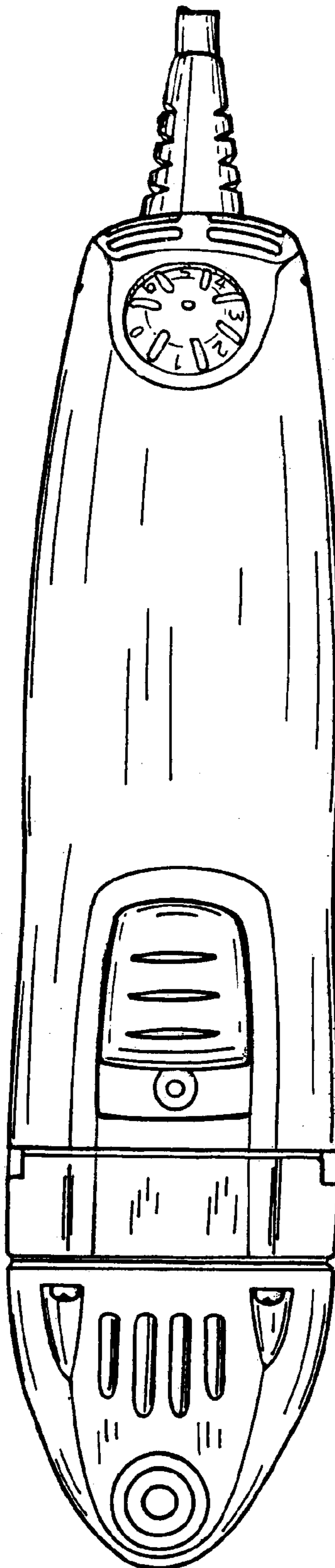


FIG. 5

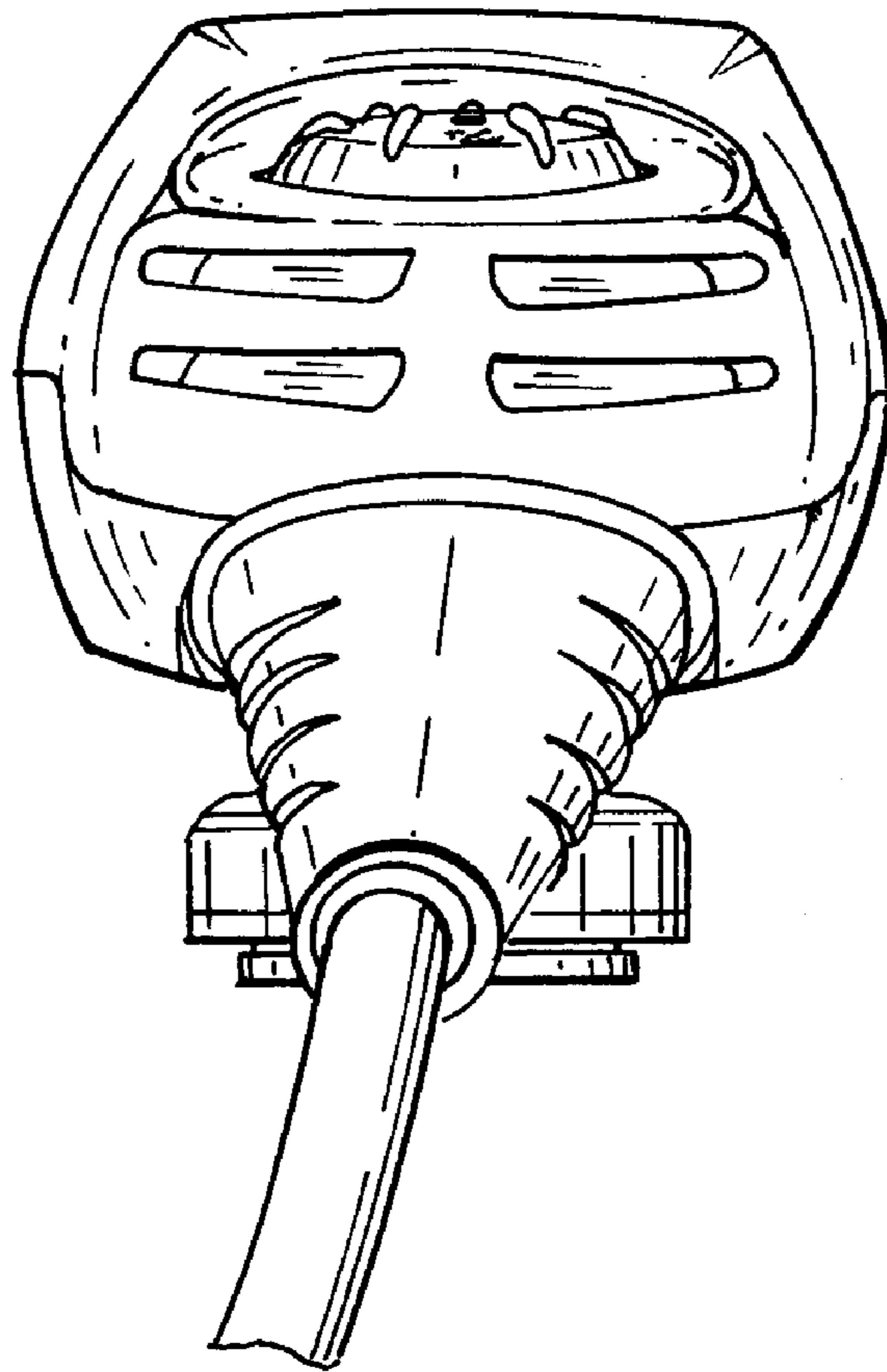


FIG. 6

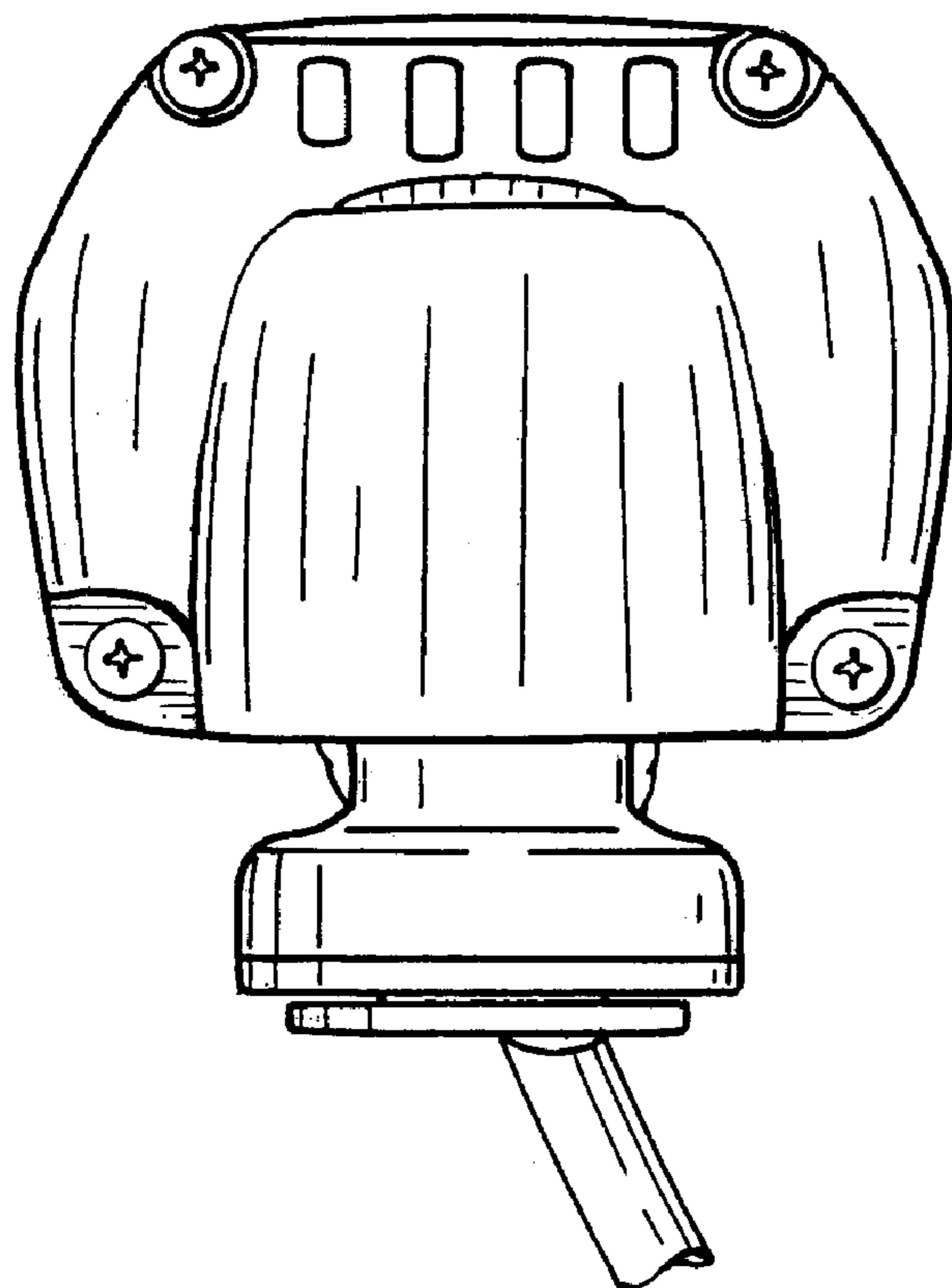


FIG. 7

UNITED STATES PATENT AND TRADEMARK OFFICE
CERTIFICATE OF CORRECTION

PATENT NO. : Des. 511,284 S
DATED : November 8, 2005
INVENTOR(S) : Heinrich Henssler et al.

Page 1 of 1

It is certified that error appears in the above-identified patent and that said Letters Patent is hereby corrected as shown below:

Title page.

Item [73], Assignee, should read -- **C. & E. Fein GmbH (DE)** --.

Signed and Sealed this

Seventh Day of March, 2006

A handwritten signature in black ink on a light gray dotted background. The signature reads "Jon W. Dudas" in a cursive style.

JON W. DUDAS

Director of the United States Patent and Trademark Office