

US00D511282S

(12) **United States Design Patent** (10) **Patent No.:** **US D511,282 S**  
**Vitrac** (45) **Date of Patent:** **\*\* Nov. 8, 2005**

(54) **CORKSCREW** D488,038 S \* 4/2004 Sach ..... D8/40  
D499,319 S \* 12/2004 Kramer ..... D8/42

(75) Inventor: **Jean-Pierre Vitrac**, Paris (FR)

(73) Assignee: **Le Creuset of America, S.A.**,  
Fresnoy-Le-Grand (FR)

(\*\*) Term: **14 Years**

(21) Appl. No.: **29/200,931**

(22) Filed: **Mar. 5, 2004**

(30) **Foreign Application Priority Data**

Sep. 9, 2003 (EM) ..... 000074729

(51) **LOC (8) Cl.** ..... **07-06**

(52) **U.S. Cl.** ..... **D8/42**

(58) **Field of Search** ..... D8/16-20, 33-35,  
D8/38-43, 88, 89, 105; 7/138, 151-166;  
30/1.5, 169, 400-450; 81/3.05-3.49

(56) **References Cited**

**U.S. PATENT DOCUMENTS**

D463,235 S \* 9/2002 Mauffette ..... D8/40  
D463,236 S \* 9/2002 Mauffette ..... D8/42  
D464,546 S \* 10/2002 Mauffette ..... D8/40  
D466,772 S \* 12/2002 Mauffette ..... D8/42  
D474,664 S \* 5/2003 Mauffette ..... D8/42

**OTHER PUBLICATIONS**

Tire-Bouchon Brochure: **CORKLIFTER(r)** Ensemble de  
Debouchage, Nov. 13, 2002.

Ya Esta . . .!!(r) Advertisement, undated.

Trudeau Brochure: Winelever Corkscrew, undated.

\* cited by examiner

*Primary Examiner*—Caron D. Veynar

(74) *Attorney, Agent, or Firm*—Gary L. Bush; Andrews  
Kurth LLP

(57) **CLAIM**

The ornamental design for a corkscrew, as shown and  
described.

**DESCRIPTION**

FIG. 1 is a side view of a corkscrew showing my new  
design;

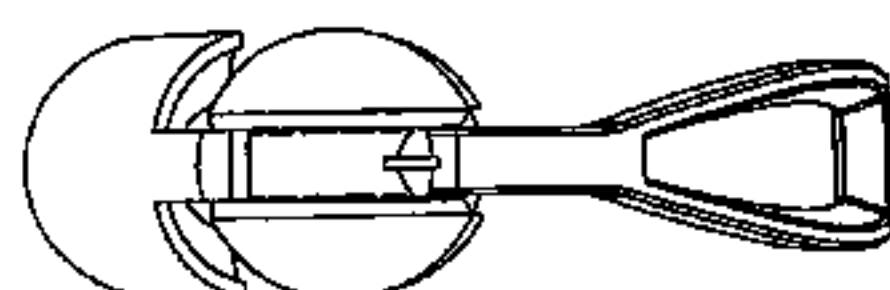
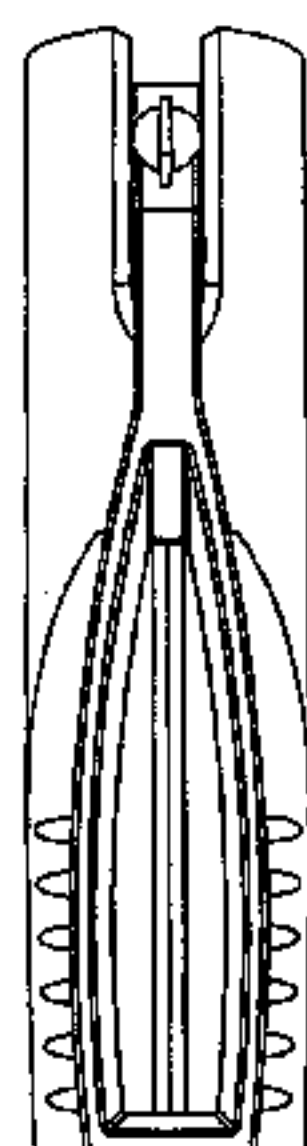
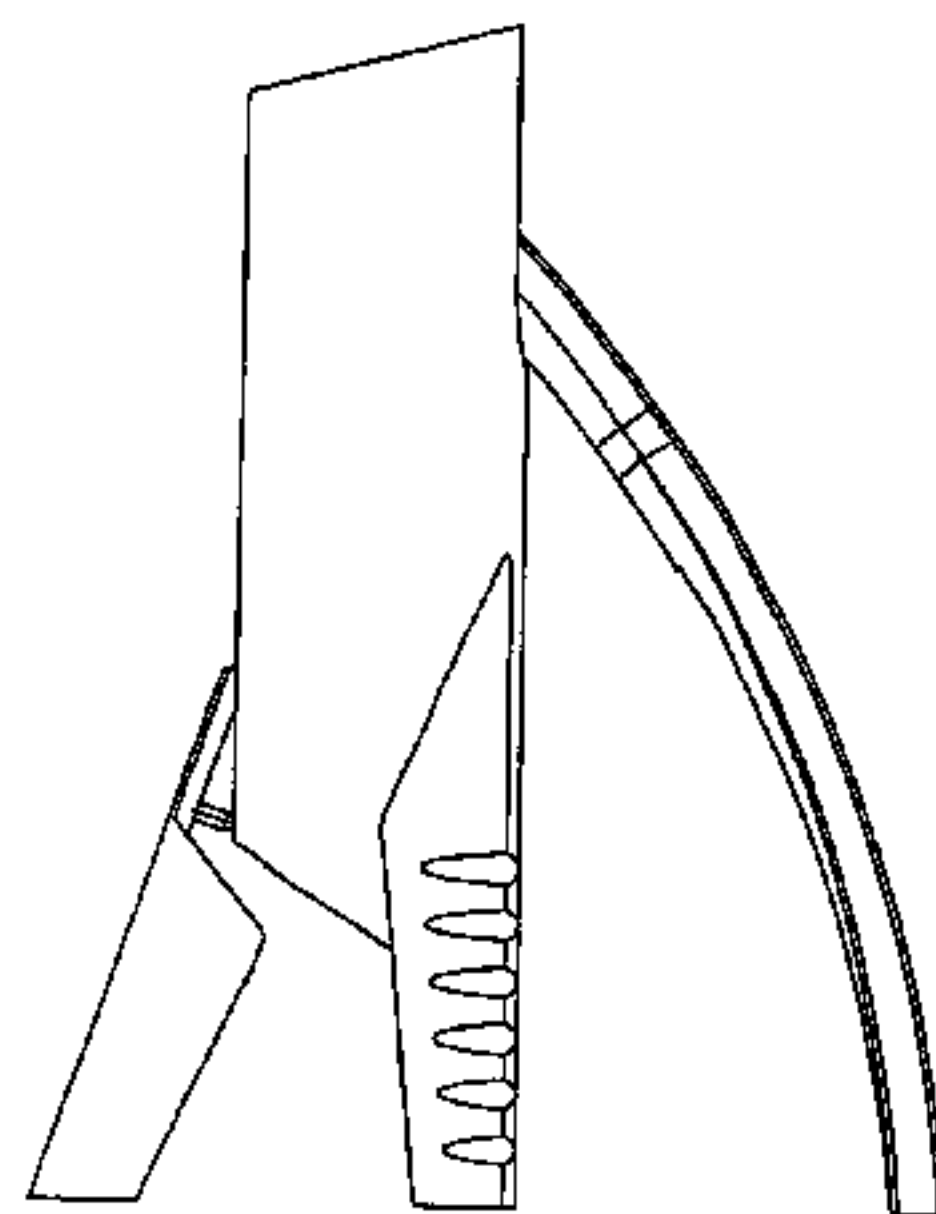
FIG. 2 is a front view thereof;

FIG. 3 is a bottom plan view thereof;

FIG. 4 is a back view thereof; and,

FIG. 5 is a top plan view thereof.

**1 Claim, 5 Drawing Sheets**



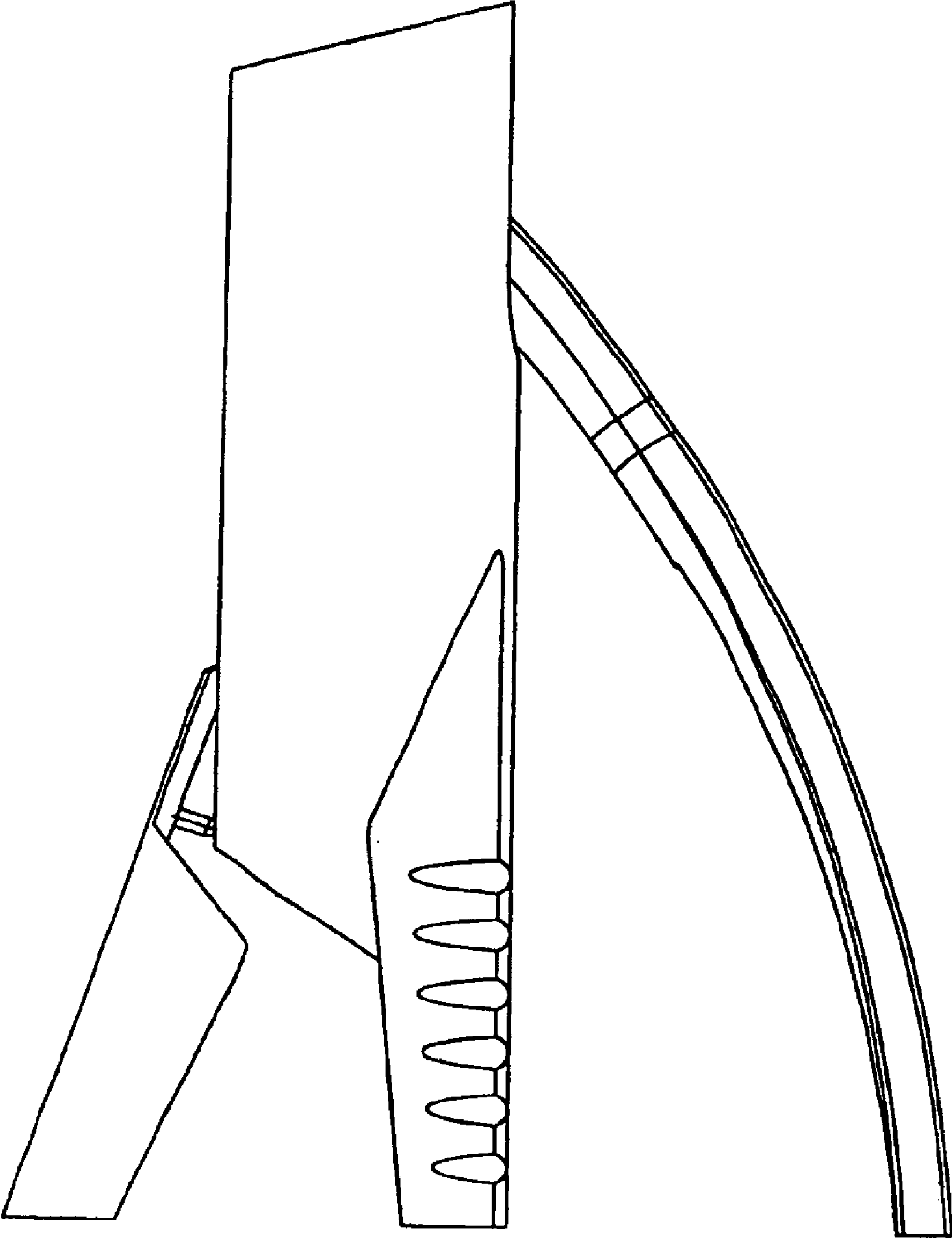


FIGURE 1

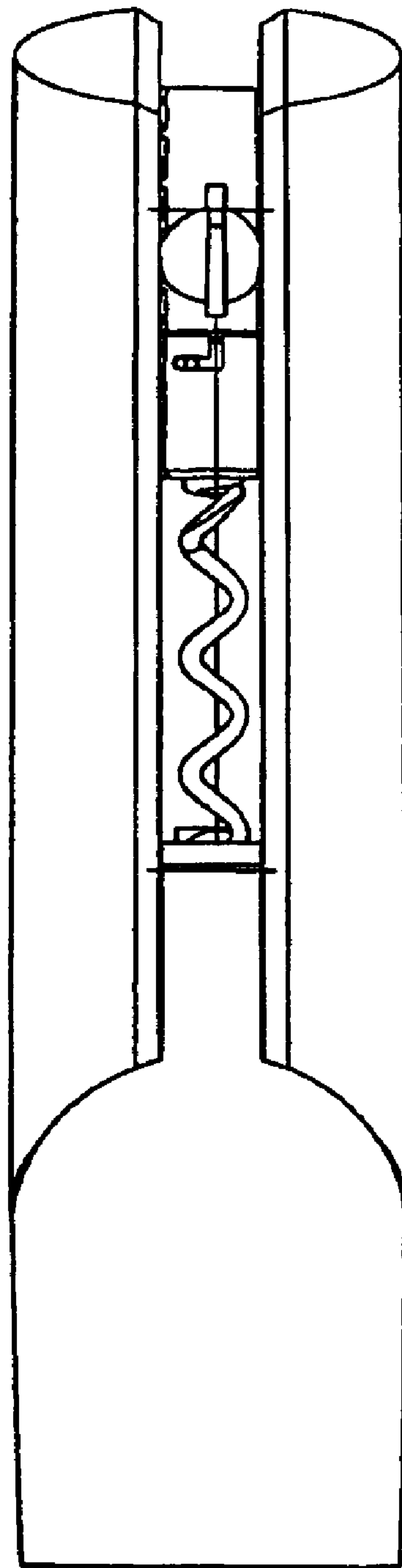


FIGURE 2

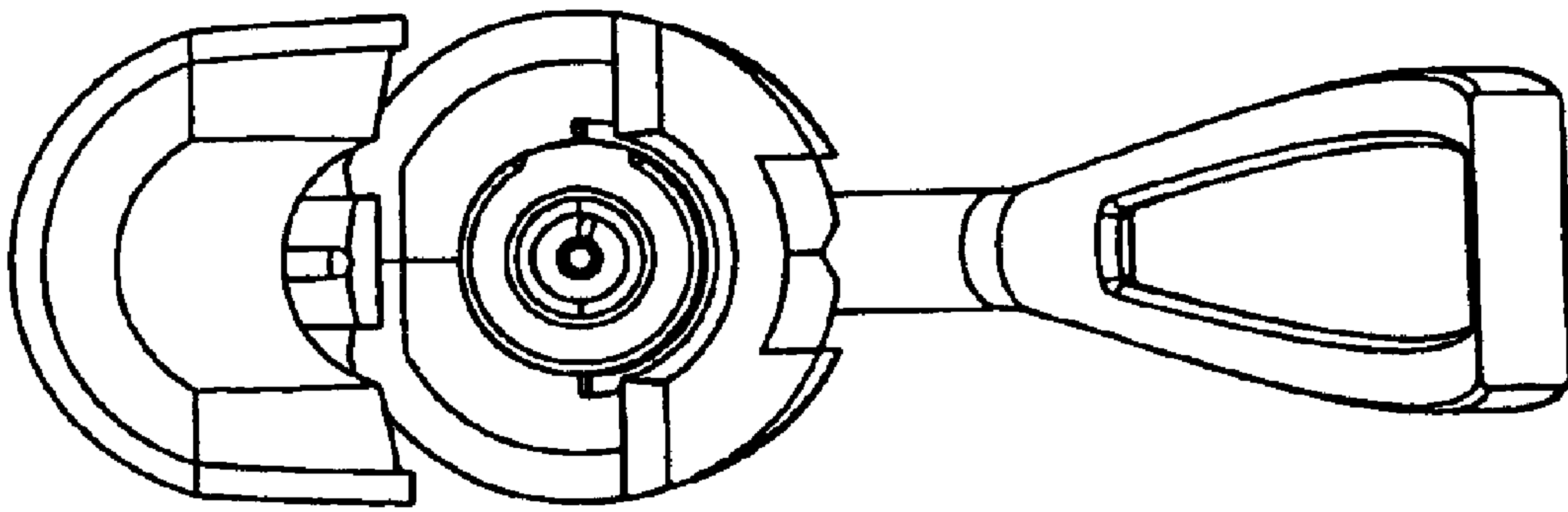


FIGURE 3

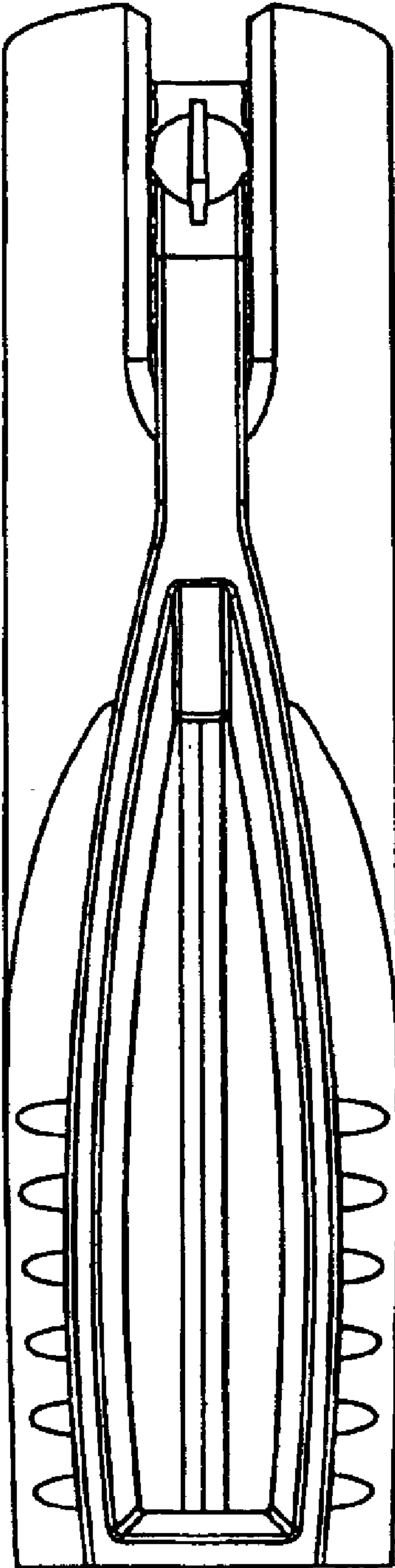


FIGURE 4

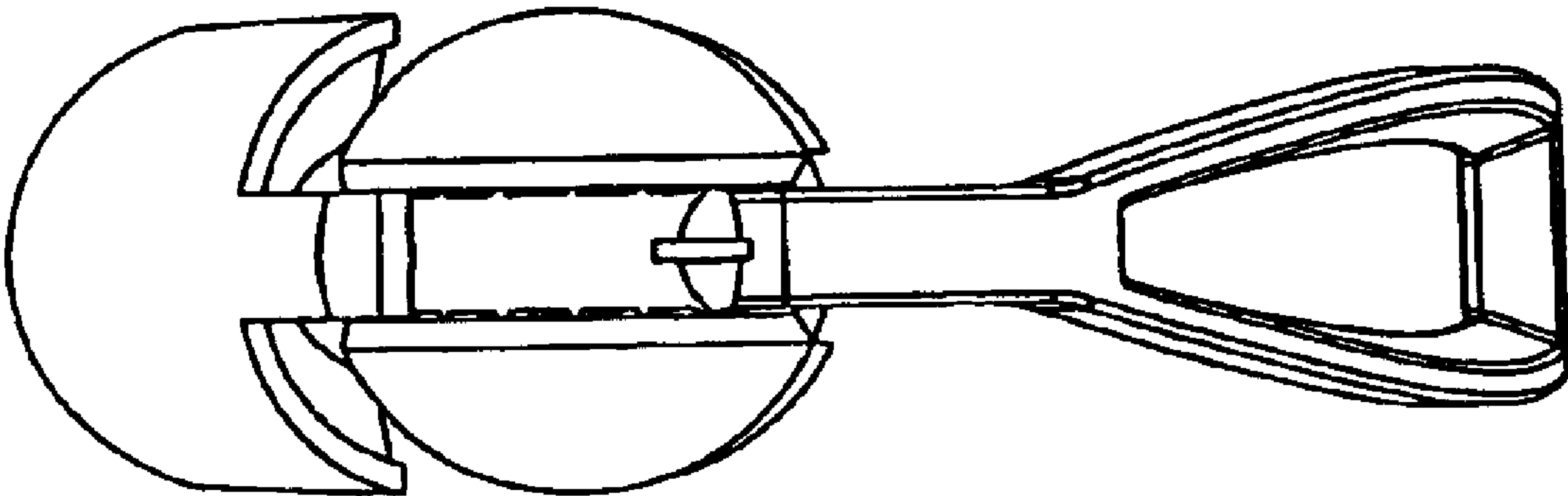


FIGURE 5