



US00D511280S

(12) **United States Design Patent**
Horner-Richardson et al.

(10) **Patent No.: US D511,280 S**
(45) **Date of Patent: ** Nov. 8, 2005**

(54) **PLASMA ARC TORCH TIP**

(75) Inventors: **Kevin Horner-Richardson**, Cornish, NH (US); **Joseph P. Jones**, Lebanon, NH (US); **Roger W. Hewett**, Plainfield, NH (US)

(73) Assignee: **Thermal Dynamics Corporation**, West Lebanon, NH (US)

(**) Term: **14 Years**

(21) Appl. No.: **29/166,921**

(22) Filed: **Sep. 4, 2002**

(51) **LOC (8) Cl.** **08-05**

(52) **U.S. Cl.** **D8/30**

(58) **Field of Search** D8/29.1, 30; D15/144; 219/75, 121.48, 121.5, 121.51

(56) **References Cited**

U.S. PATENT DOCUMENTS

D299,352 S	*	1/1989	Spaulding et al.	D15/144
5,147,997 A	*	9/1992	Haberman	219/121.5
5,258,599 A	*	11/1993	Moerke	219/121.48
5,266,776 A	*	11/1993	Boisvert et al.	219/121.39
5,726,415 A	*	3/1998	Luo et al.	219/121.48
5,747,767 A	*	5/1998	Severance et al.	219/121.5
5,856,647 A	*	1/1999	Luo	219/121.5

D407,726 S	*	4/1999	Zigliotto	D15/144
5,965,040 A	*	10/1999	Luo et al.	219/121.5
D420,374 S	*	2/2000	Zigliotto	D15/144
6,163,008 A	*	12/2000	Roberts et al.	219/121.48

* cited by examiner

Primary Examiner—Philip S. Hyder

(74) *Attorney, Agent, or Firm*—Barness, Dickey & Pierce, P.L.C.

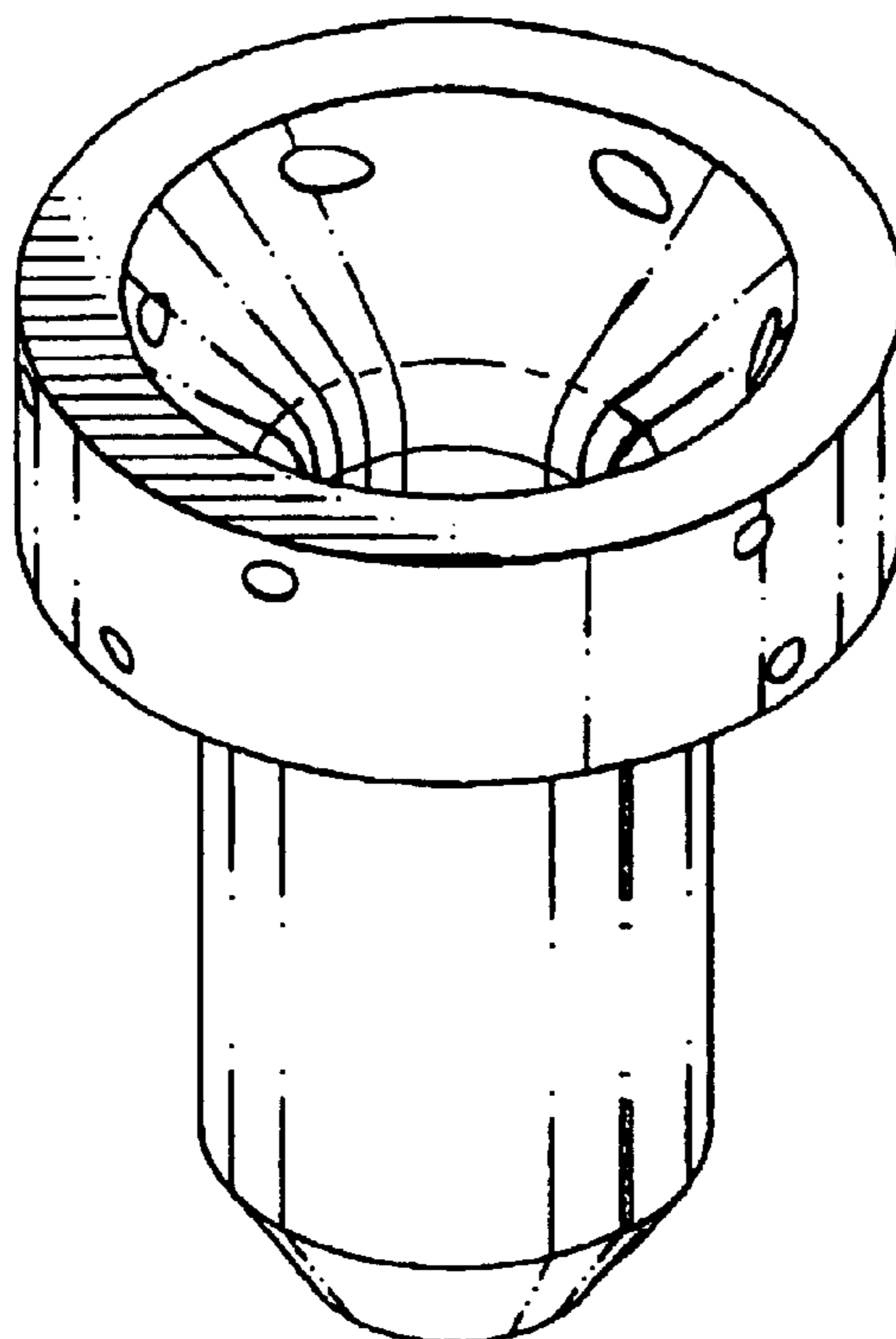
(57) **CLAIM**

The ornamental design for a plasma arc torch tip, as shown and described.

DESCRIPTION

FIG. 1 is a perspective view of the plasma arc torch tip from the top;
 FIG. 2 is a perspective view thereof from below, wherein the dashed lines indicate changes in surface contour;
 FIG. 3 is a perspective view thereof from above and rotated from FIG. 1;
 FIG. 4 is a side elevation view thereof;
 FIG. 5 is a side elevation view thereof, rotated 90° from FIG. 4;
 FIG. 6 is a top plan view thereof, wherein the dashed lines indicate changes in surface contour; and,
 FIG. 7 is a bottom plan view thereof.

1 Claim, 4 Drawing Sheets



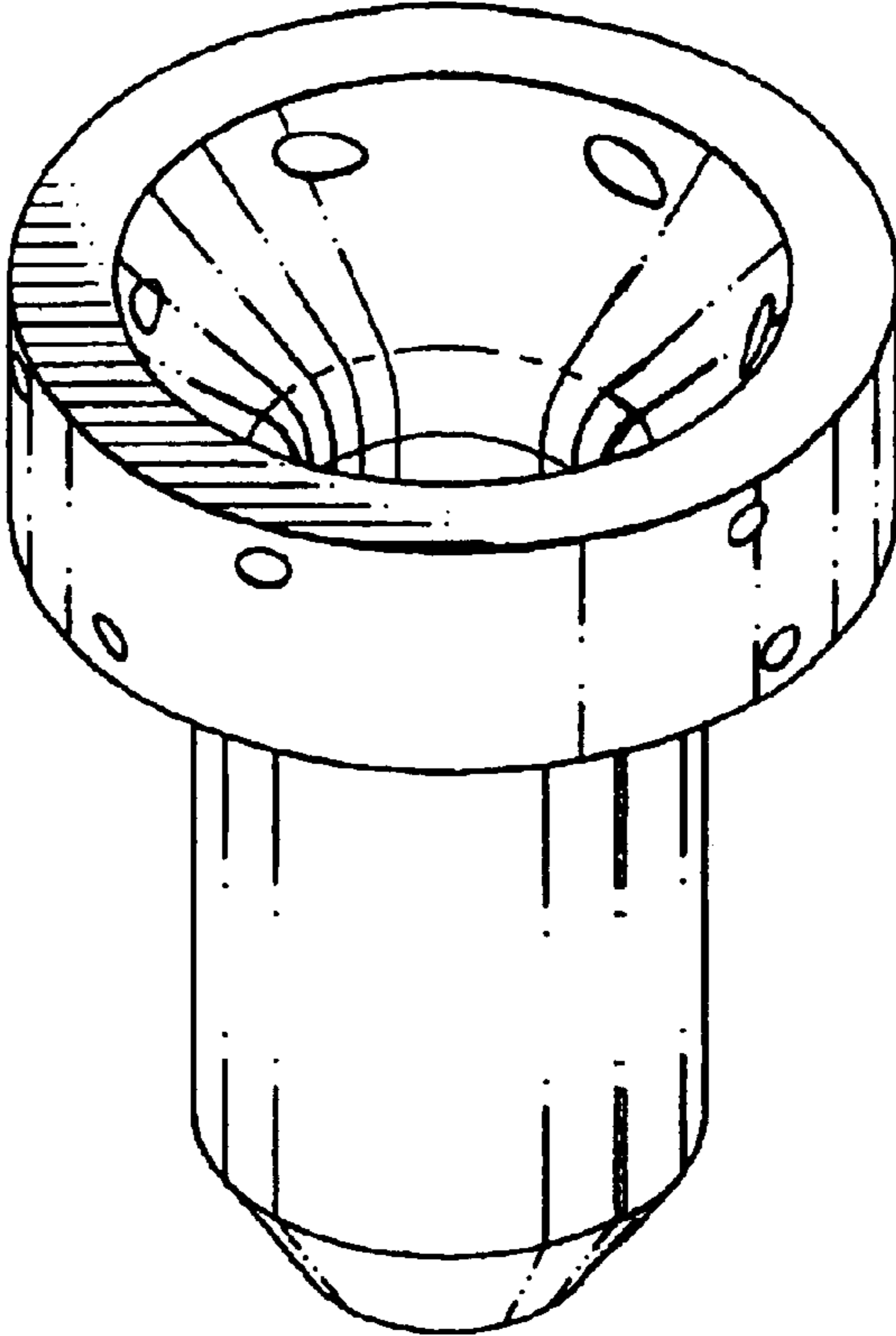


FIG. 1

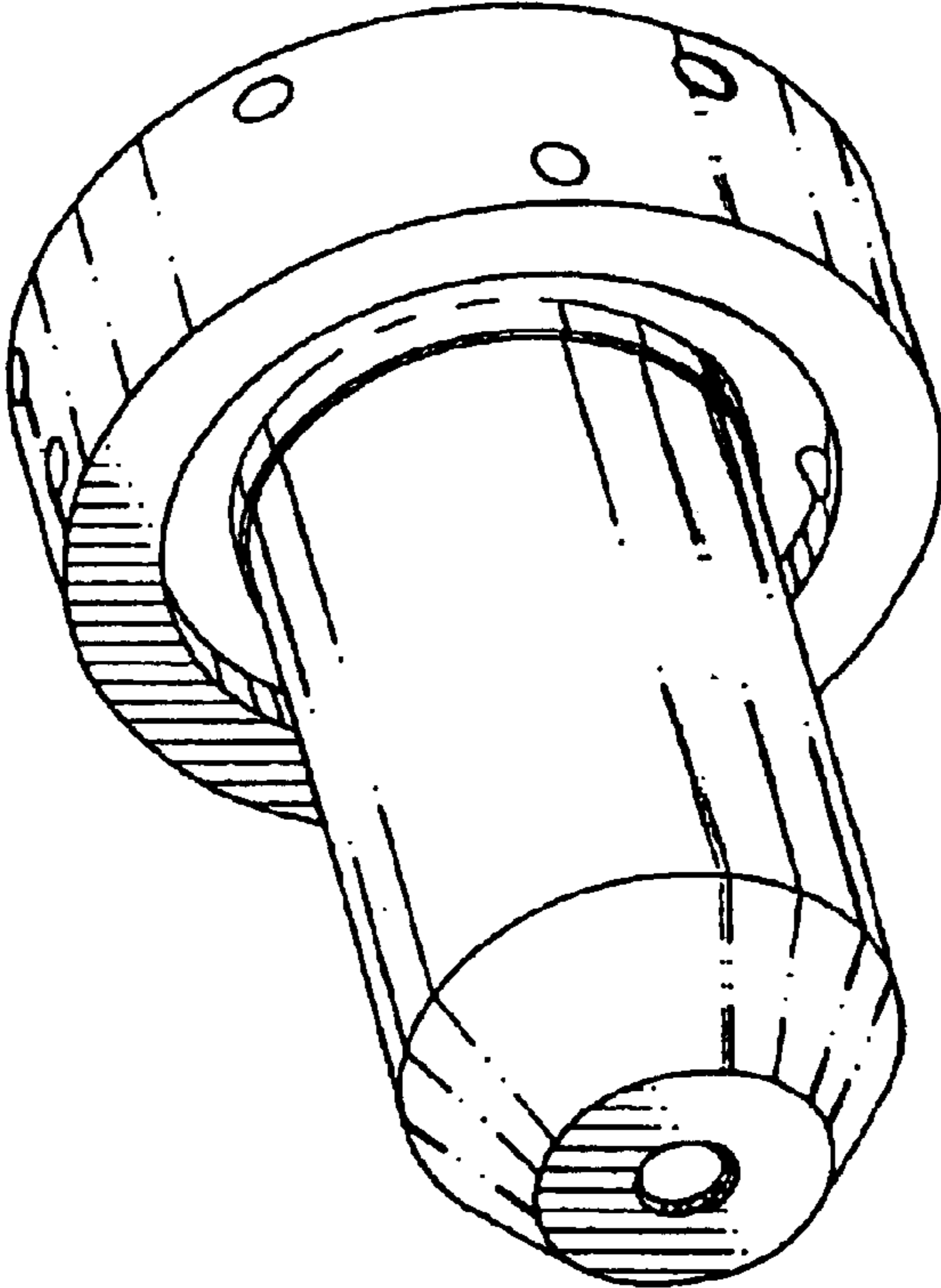


FIG. 2

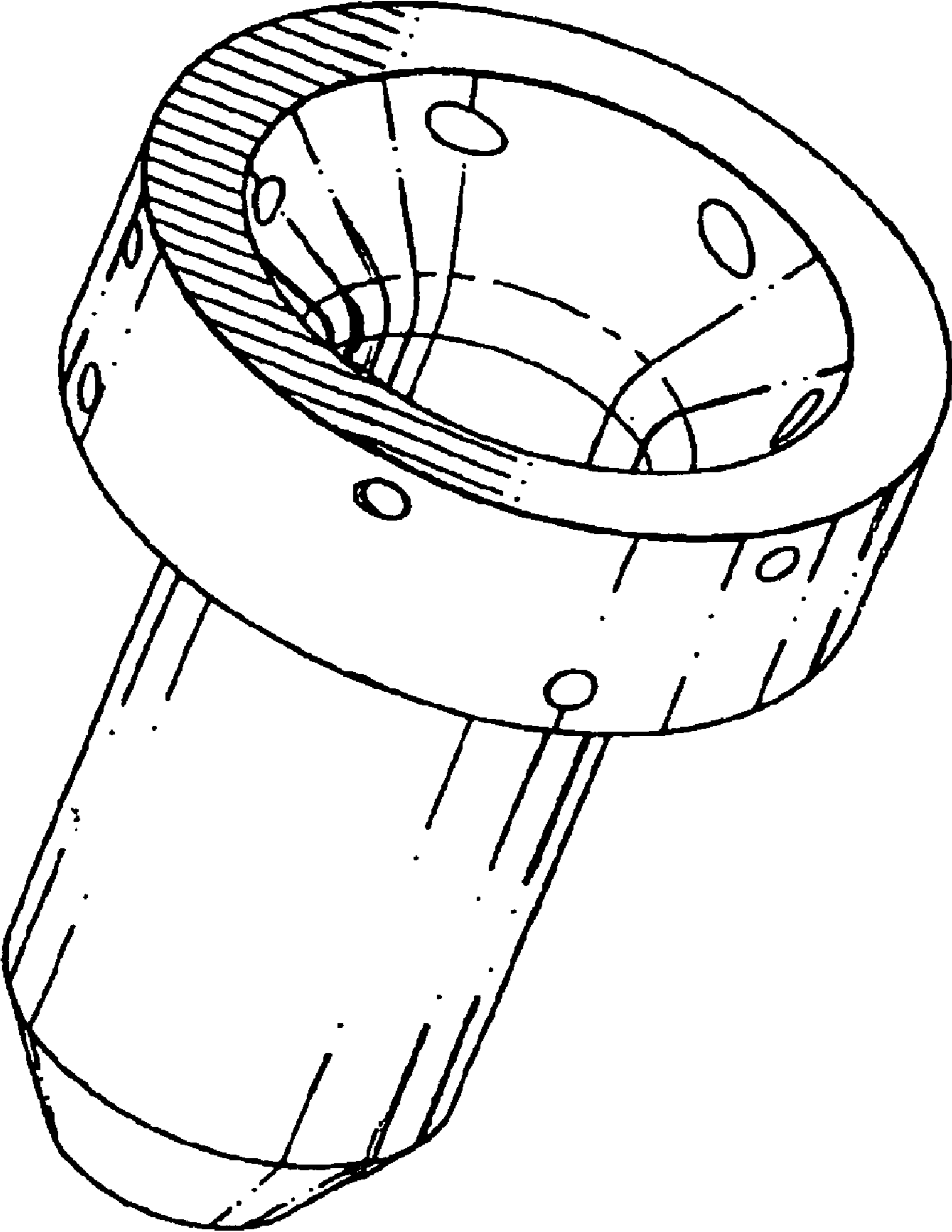


FIG. 3

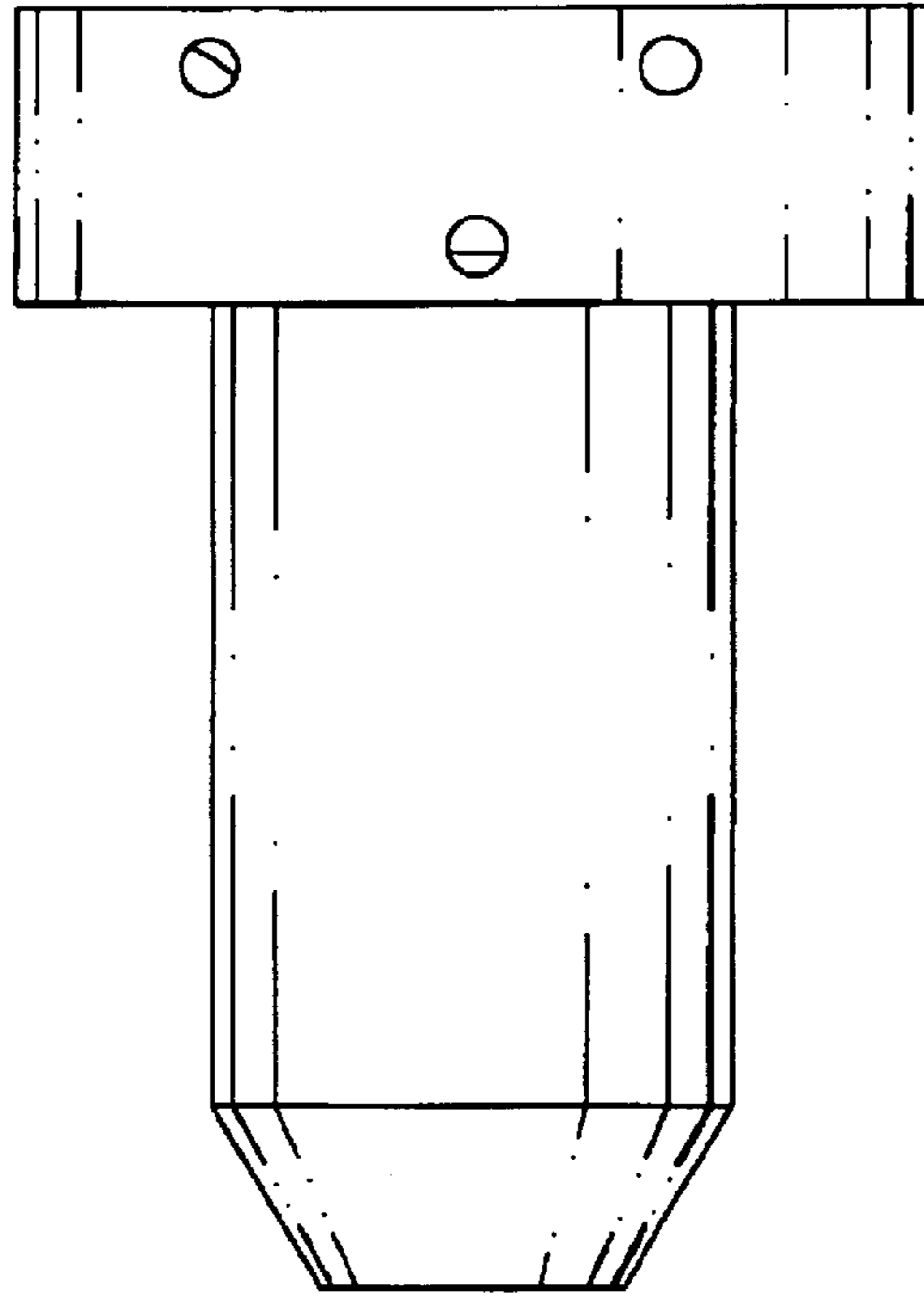


FIG. 4

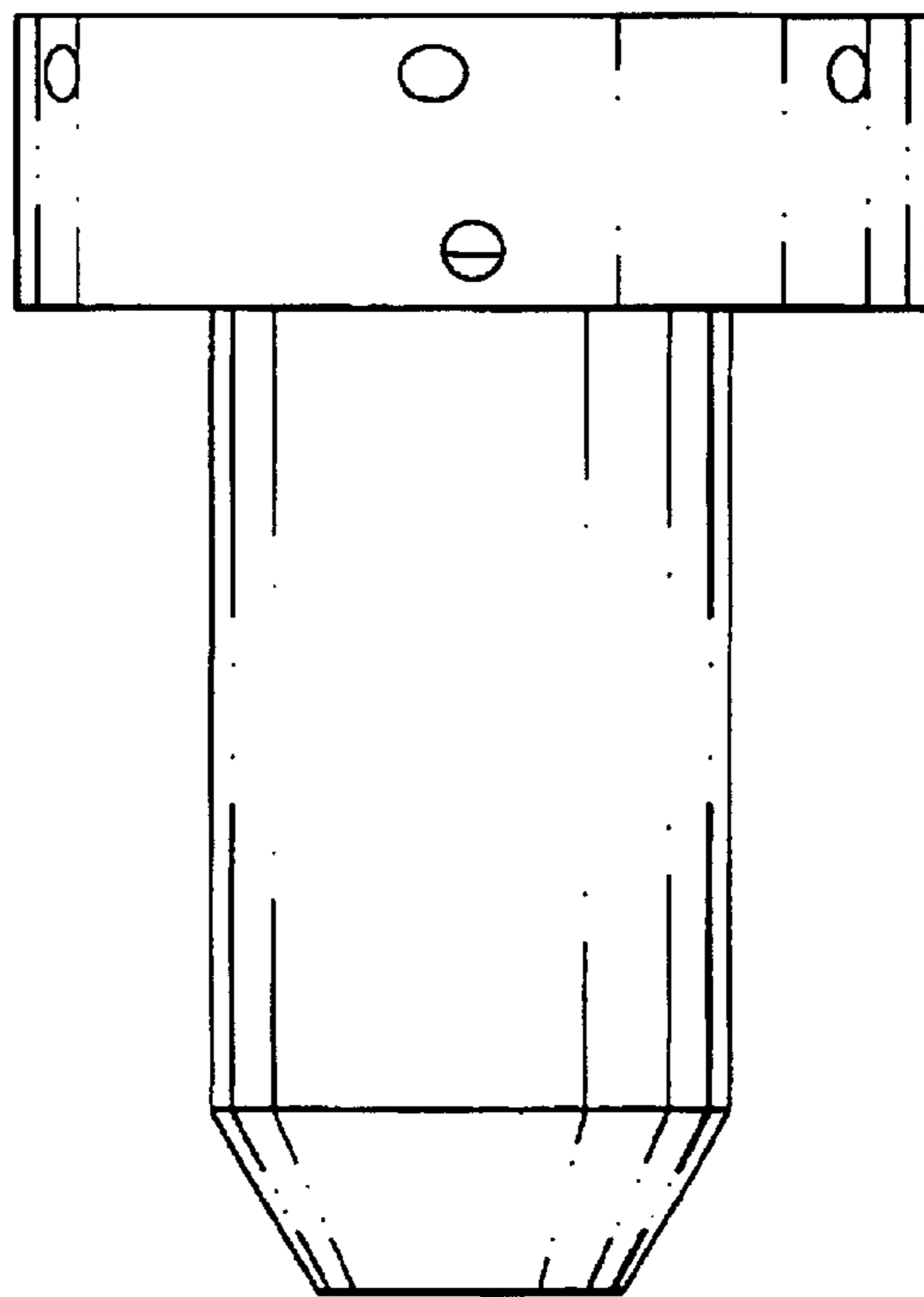


FIG. 5

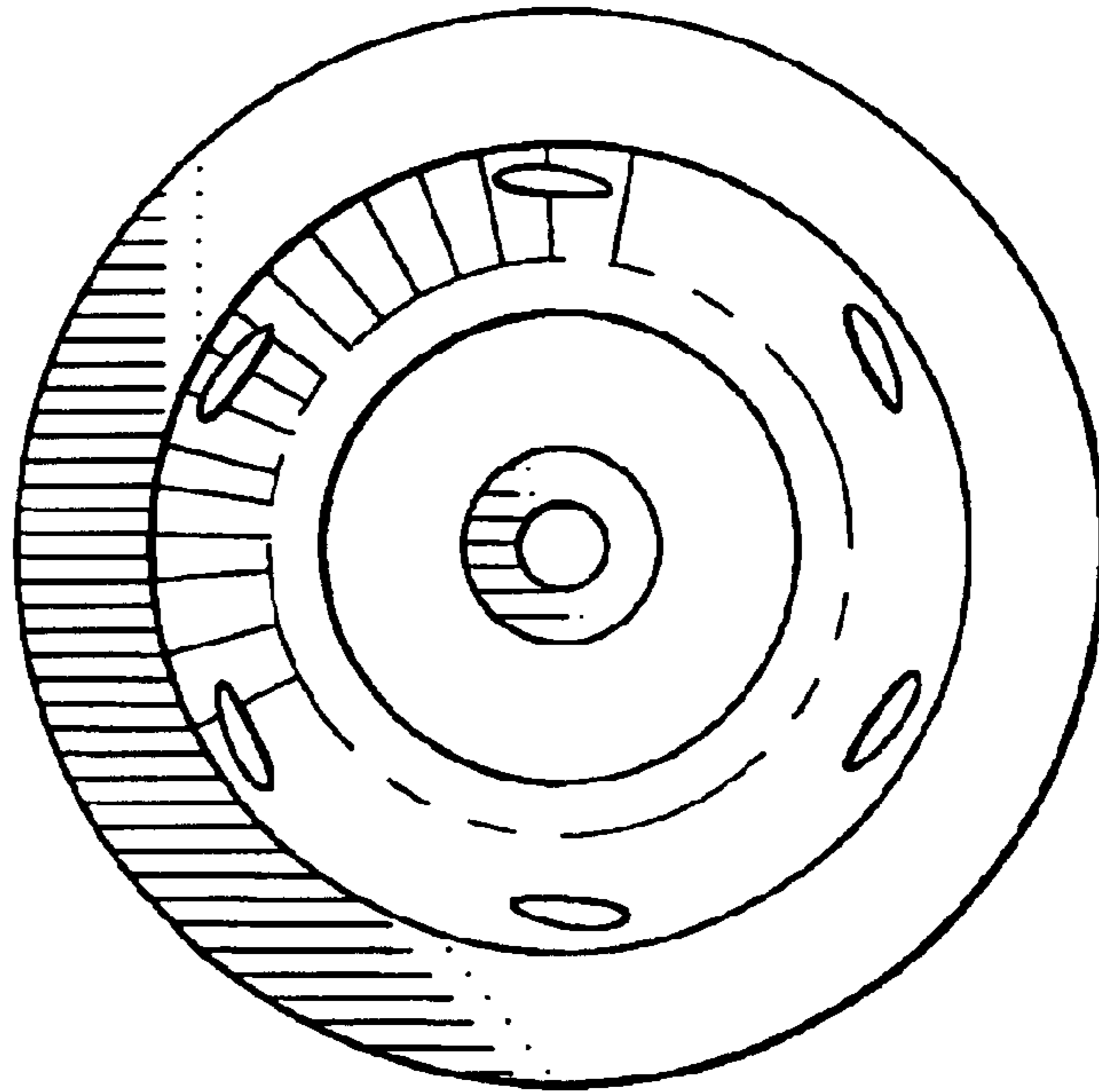


FIG. 6

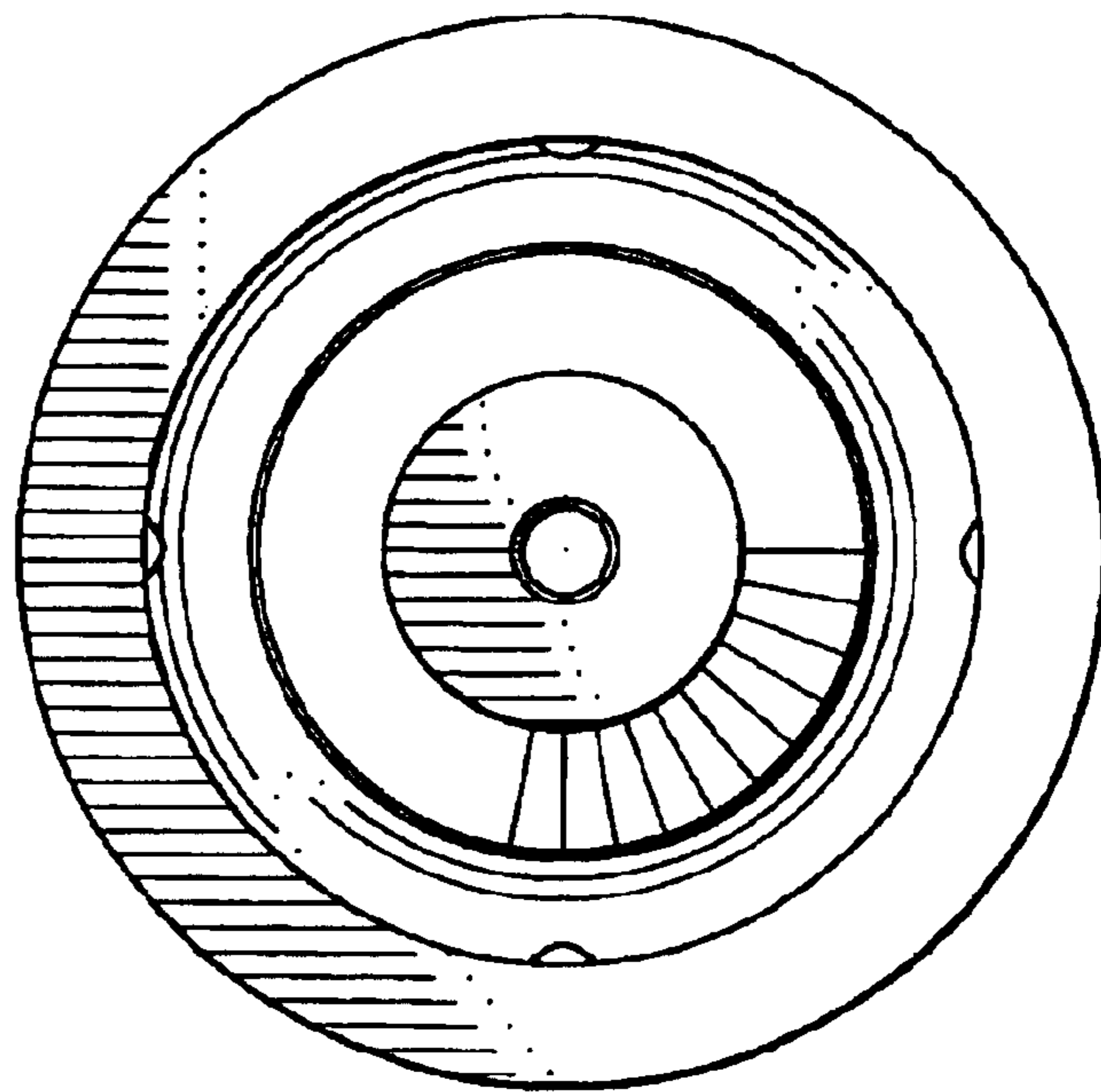


FIG. 7