



US00D511275S

(12) **United States Design Patent**
Fritz et al.

(10) **Patent No.: US D511,275 S**
(45) **Date of Patent: ** Nov. 8, 2005**

(54) **POWERED FLOUR SIFTER**

D290,921 S * 7/1987 Dardashti D7/668

(76) Inventors: **Wanda C. Fritz**, 1921 Claudina Ave.,
Los Angeles, CA (US) 90016; **Eula C. Fritz**, 1921 Claudina Ave., Los Angeles,
CA (US) 90016

* cited by examiner

Primary Examiner—Terry A. Wallace
(74) *Attorney, Agent, or Firm*—Albert O. Cota

(**) Term: **14 Years**

(57) **CLAIM**

The ornamental design for a powered flour sifter, as shown and described.

(21) Appl. No.: **29/206,258**

(22) Filed: **May 28, 2004**

DESCRIPTION

(51) **LOC (8) Cl.** **31-00**

(52) **U.S. Cl.** **D7/668**

(58) **Field of Search** D7/668; 209/249,
209/255, 282, 333, 352, 357, 374, 403,
408

FIG. 1 is a front perspective view of a powered flour sifter showing my new new design.

FIG. 2 is a rear perspective view thereof,

FIG. 3 is a right side elevational view thereof;

FIG. 4 is a left side elevational view thereof;

FIG. 5 is a front elevational view thereof;

FIG. 6 is a rear elevational view thereof;

FIG. 7 is a top plan view thereof; and,

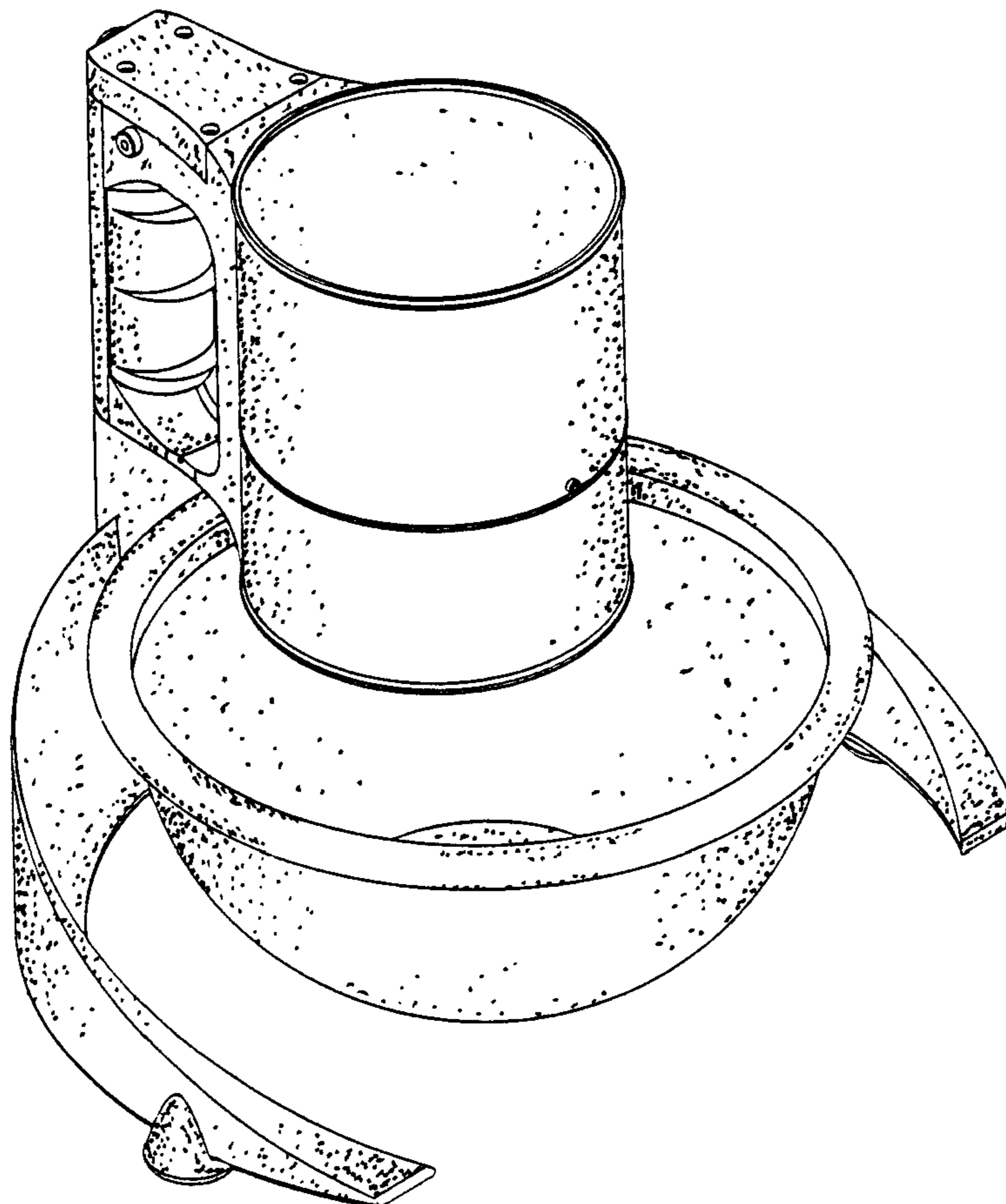
FIG. 8 is a bottom plan view thereof.

(56) **References Cited**

U.S. PATENT DOCUMENTS

D266,819 S * 11/1982 Doyel D7/668

1 Claim, 4 Drawing Sheets



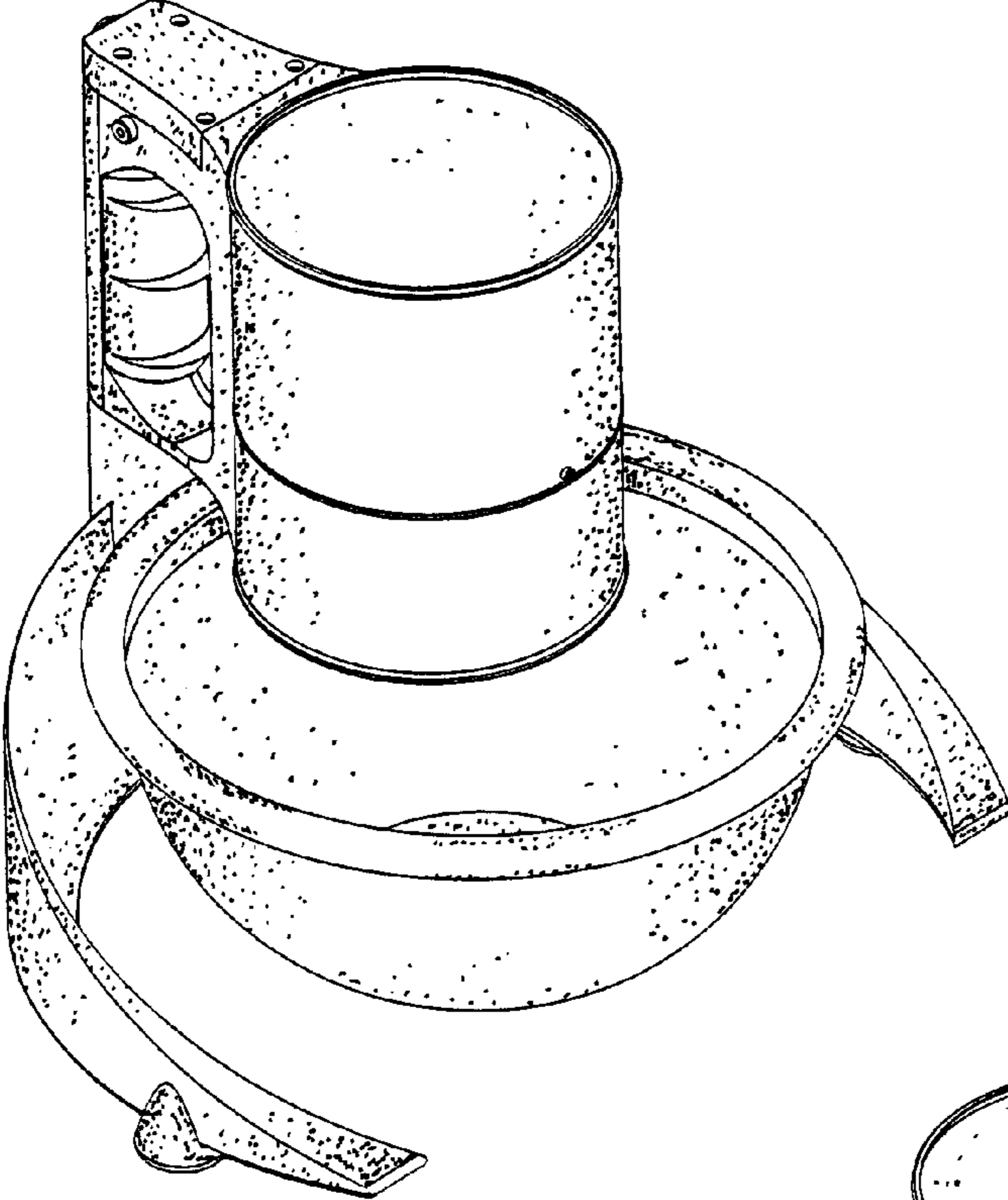


Fig. 1

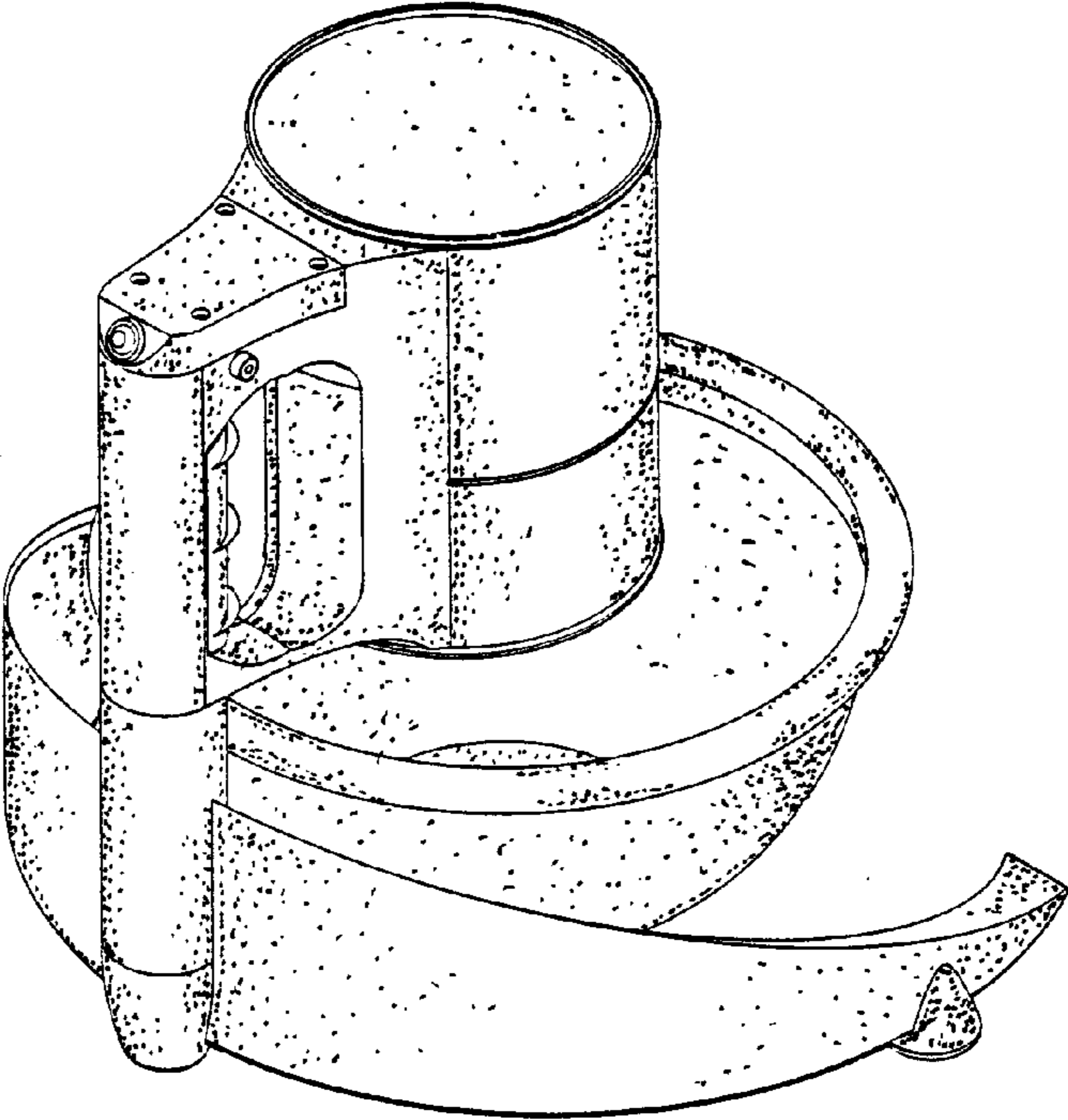


Fig. 2

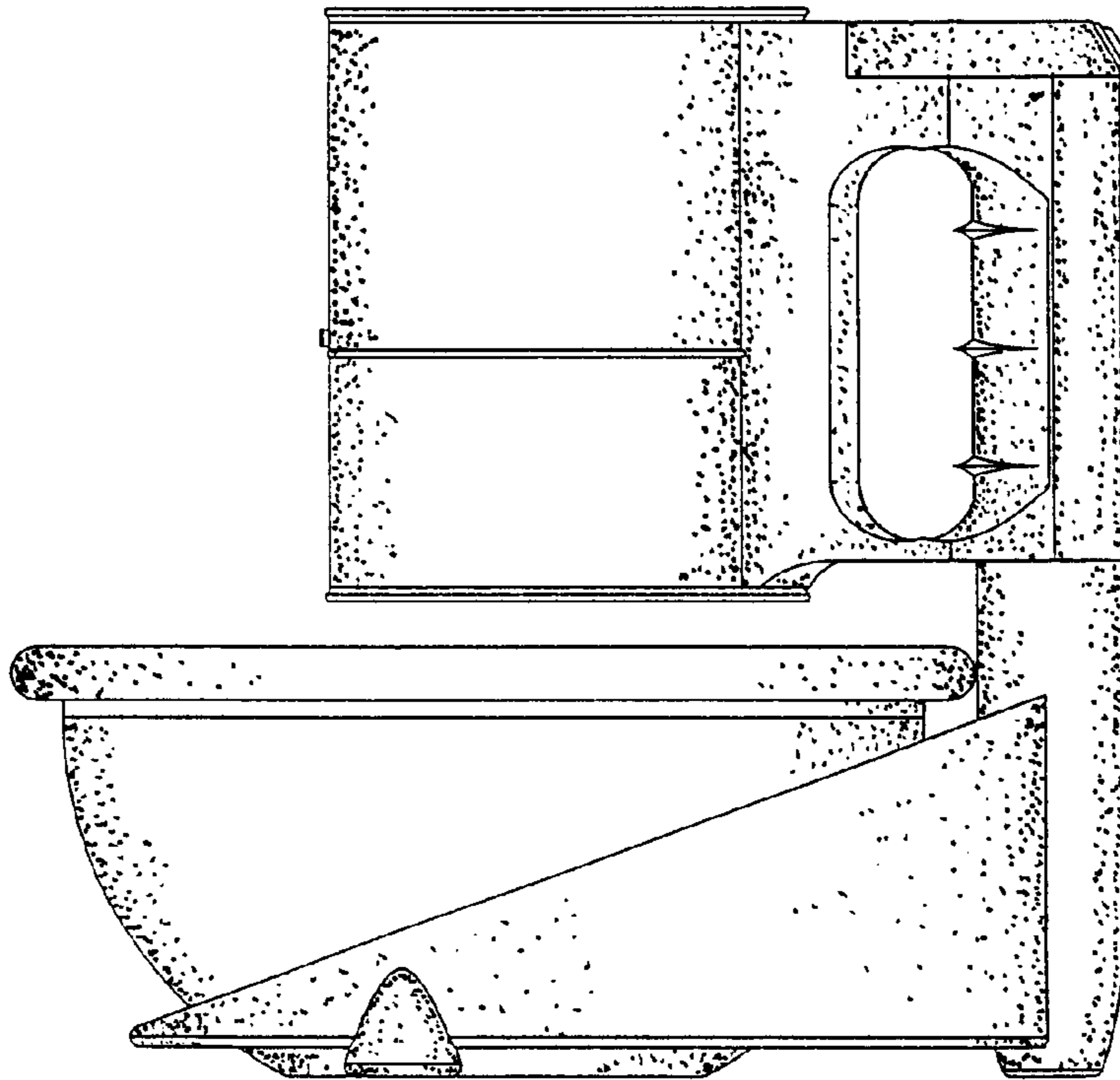


Fig. 3

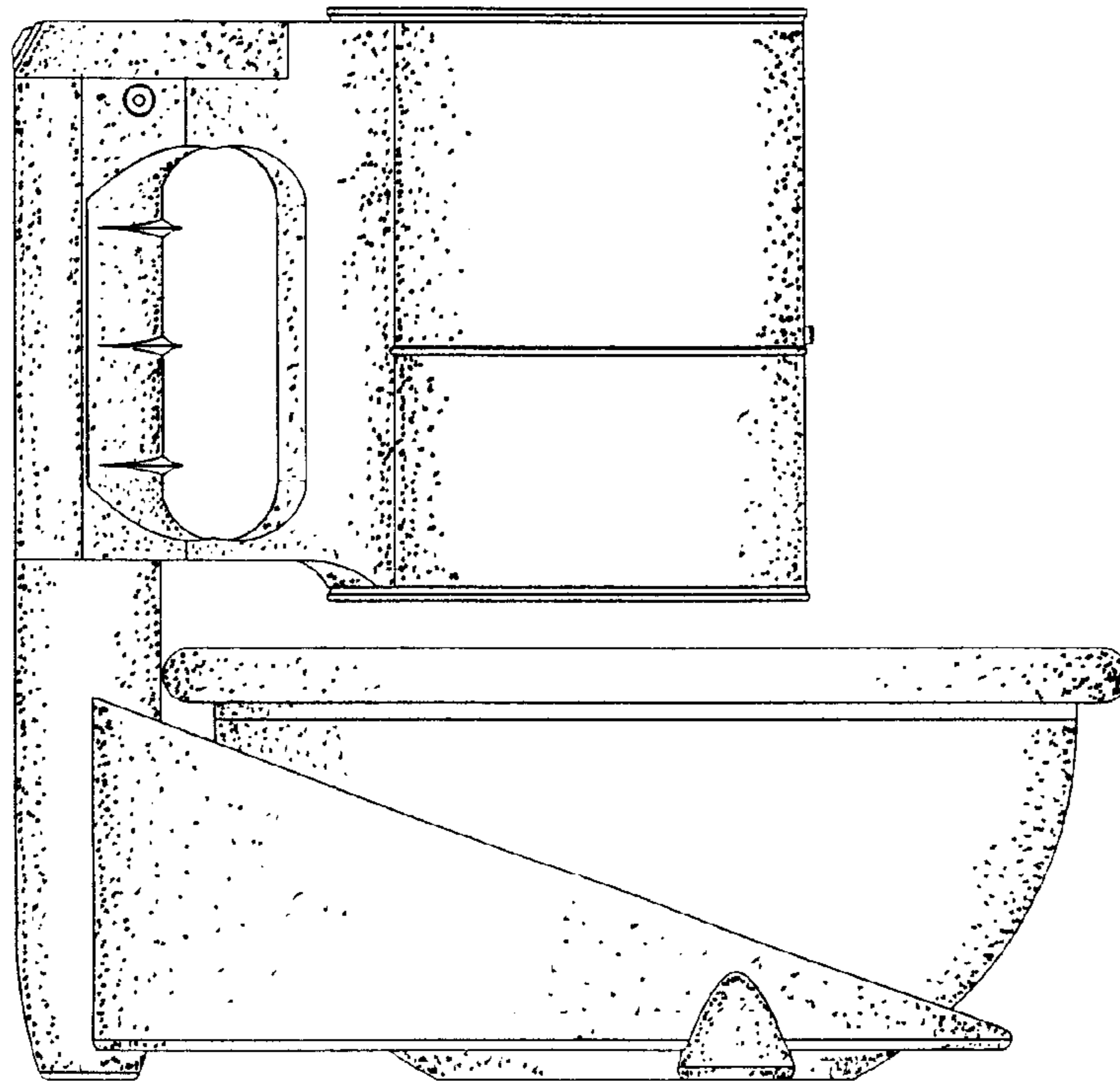


Fig. 4

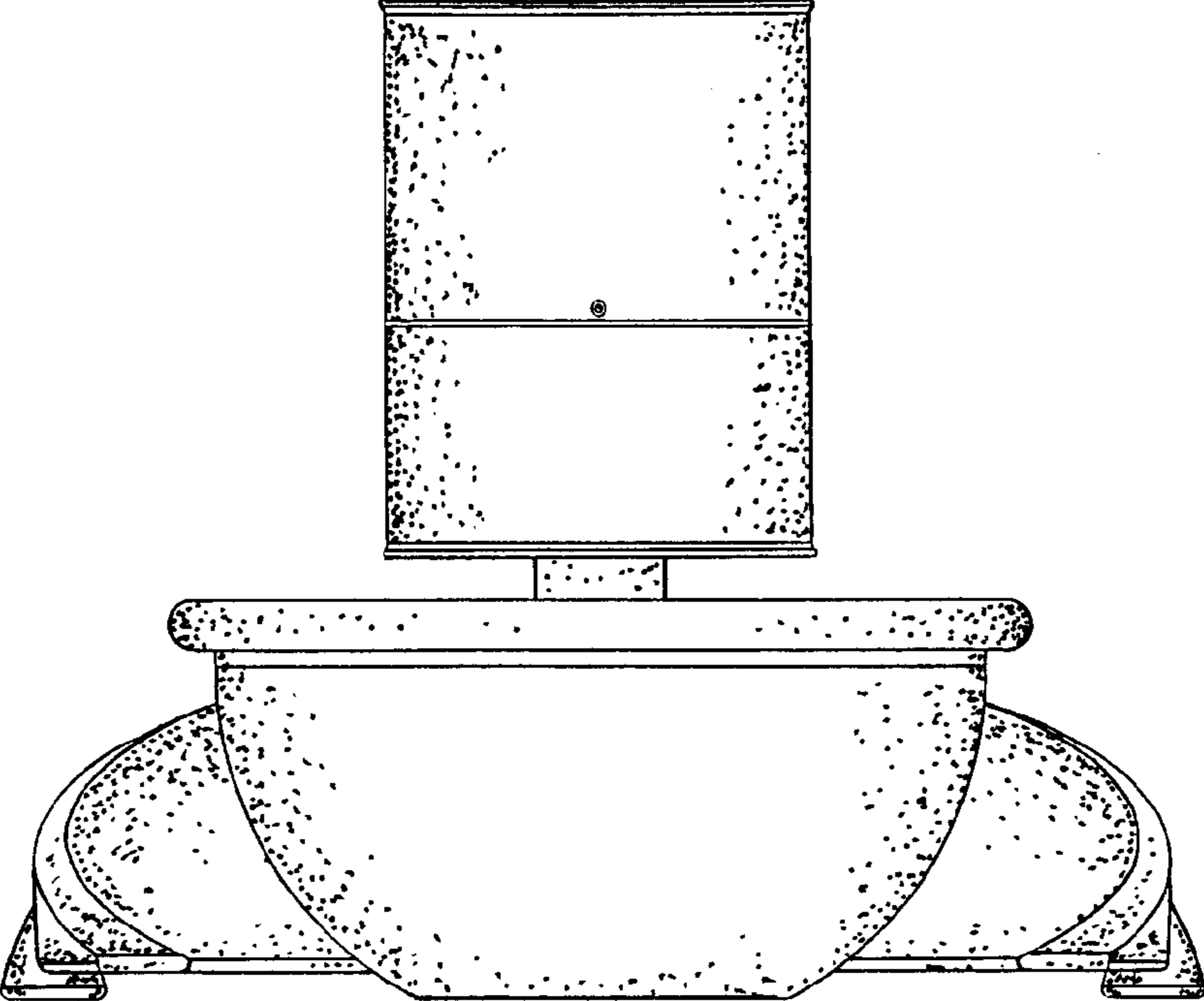


Fig. 5

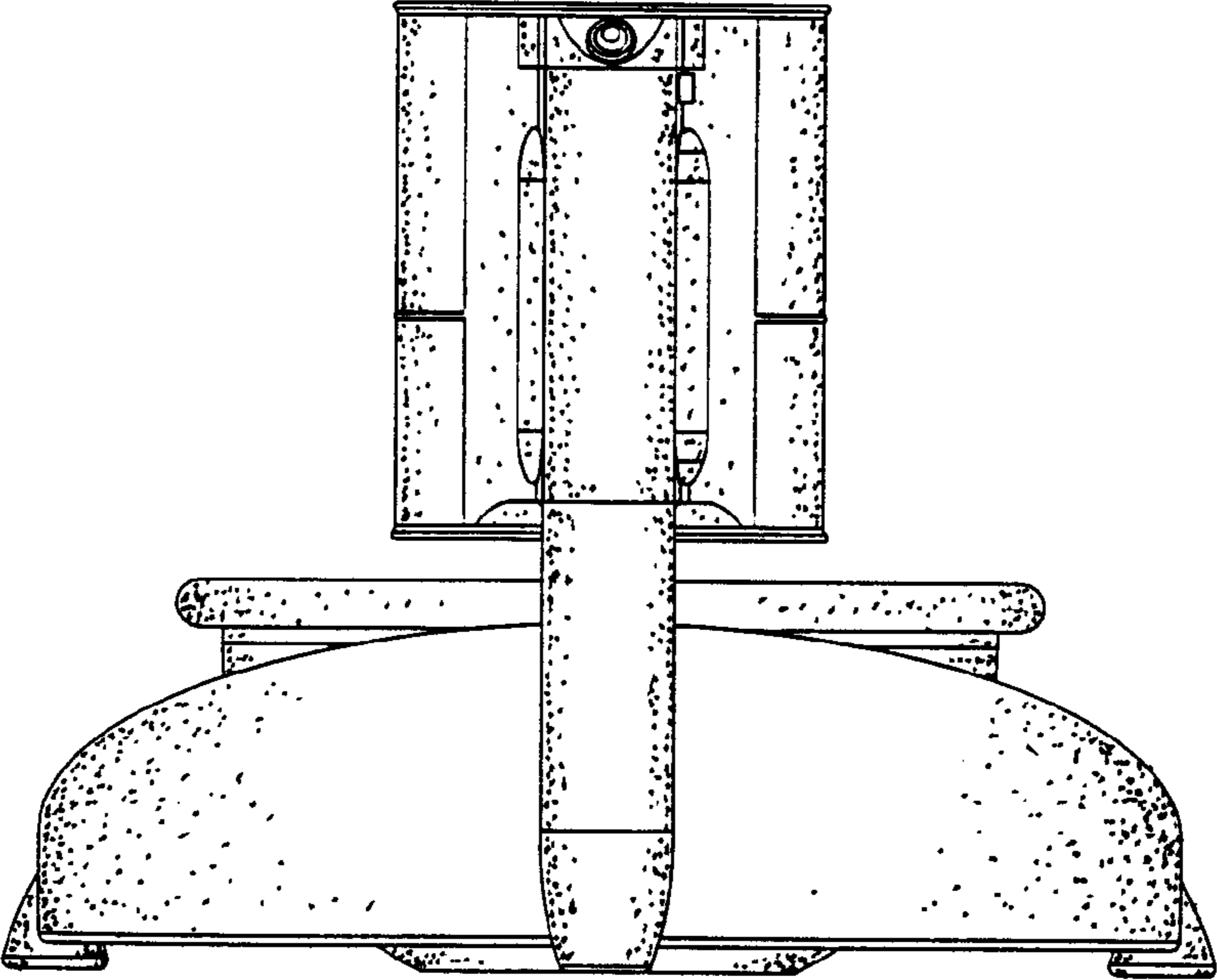


Fig. 6

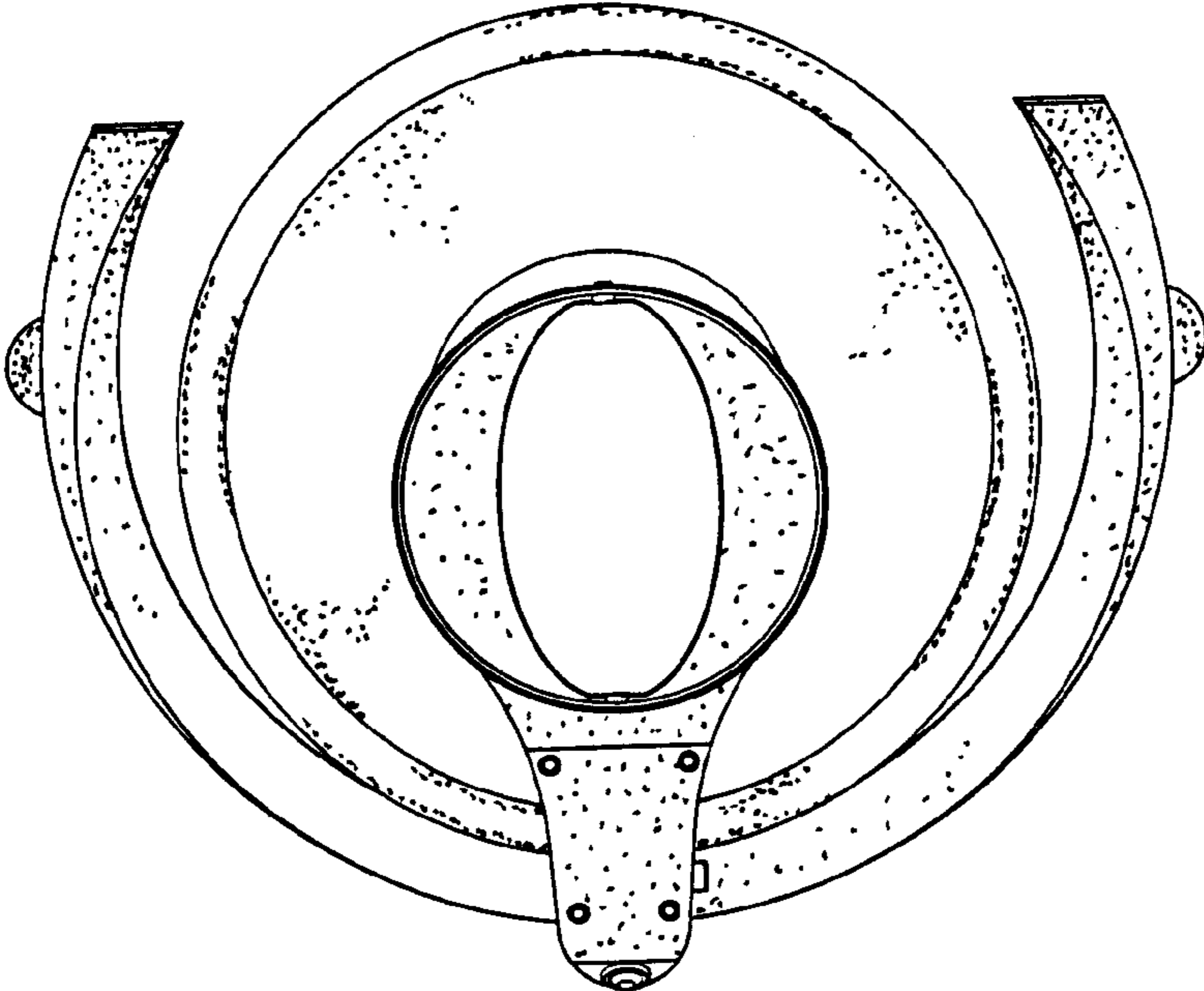


Fig. 7

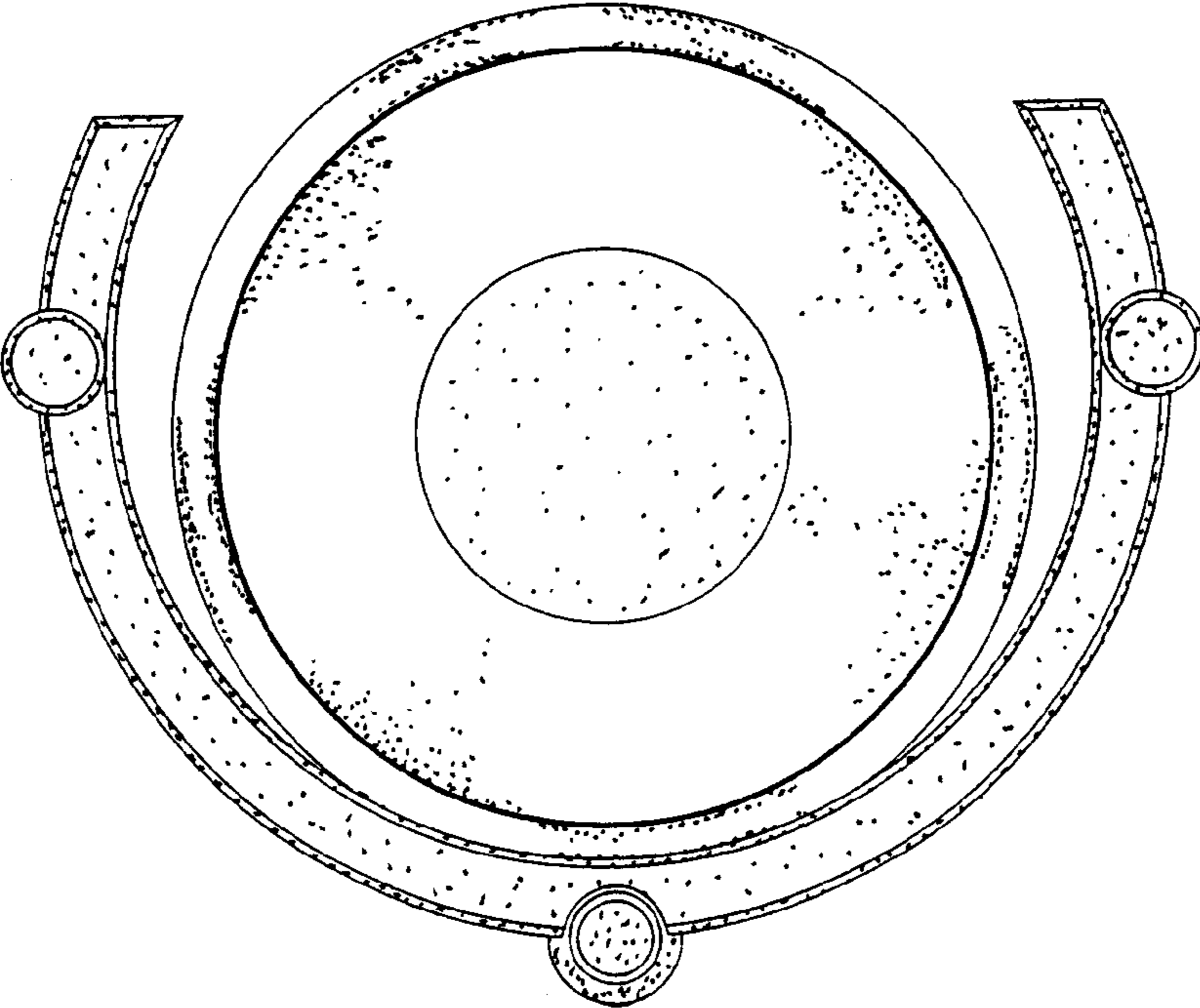


Fig. 8