



US00D511273S

(12) **United States Design Patent**
Hadeler

(10) **Patent No.:** **US D511,273 S**
(45) **Date of Patent:** **** Nov. 8, 2005**

- (54) **SHRIMP COCKTAIL CONTAINER**
- (76) **Inventor:** **Robert W. Hadeler**, P.O. Box 2572,
Rancho Santa Fe, CA (US) 92067
- (**) **Term:** **14 Years**
- (21) **Appl. No.:** **29/198,846**
- (22) **Filed:** **Feb. 4, 2004**
- (51) **LOC (8) Cl.** **07-01**
- (52) **U.S. Cl.** **D7/553.6**
- (58) **Field of Search** D7/550.1, 552.1,
D7/553.1, 553.4, 553.5–553.6, 553.9, 554.2,
555, 396.1; D9/457, 759; 206/557, 562,
563, 564, 784, 814; 220/557, 562, 563,
564, 815; 426/132

- 5,869,120 A * 2/1999 Blazevich 426/132
- 6,022,571 A * 2/2000 Blazevich 426/132
- 6,168,813 B1 * 1/2001 Blazevich 426/132
- D460,897 S * 7/2002 Leuenberger D7/553.8
- D489,972 S * 5/2004 Lin D7/553.6
- 2002/0179612 A1 * 12/2002 Toussant 220/574

* cited by examiner

Primary Examiner—Charles A. Rademaker
(74) *Attorney, Agent, or Firm*—The Maxham Firm

(57) **CLAIM**

The ornamental design for a shrimp cocktail container, as shown and described.

DESCRIPTION

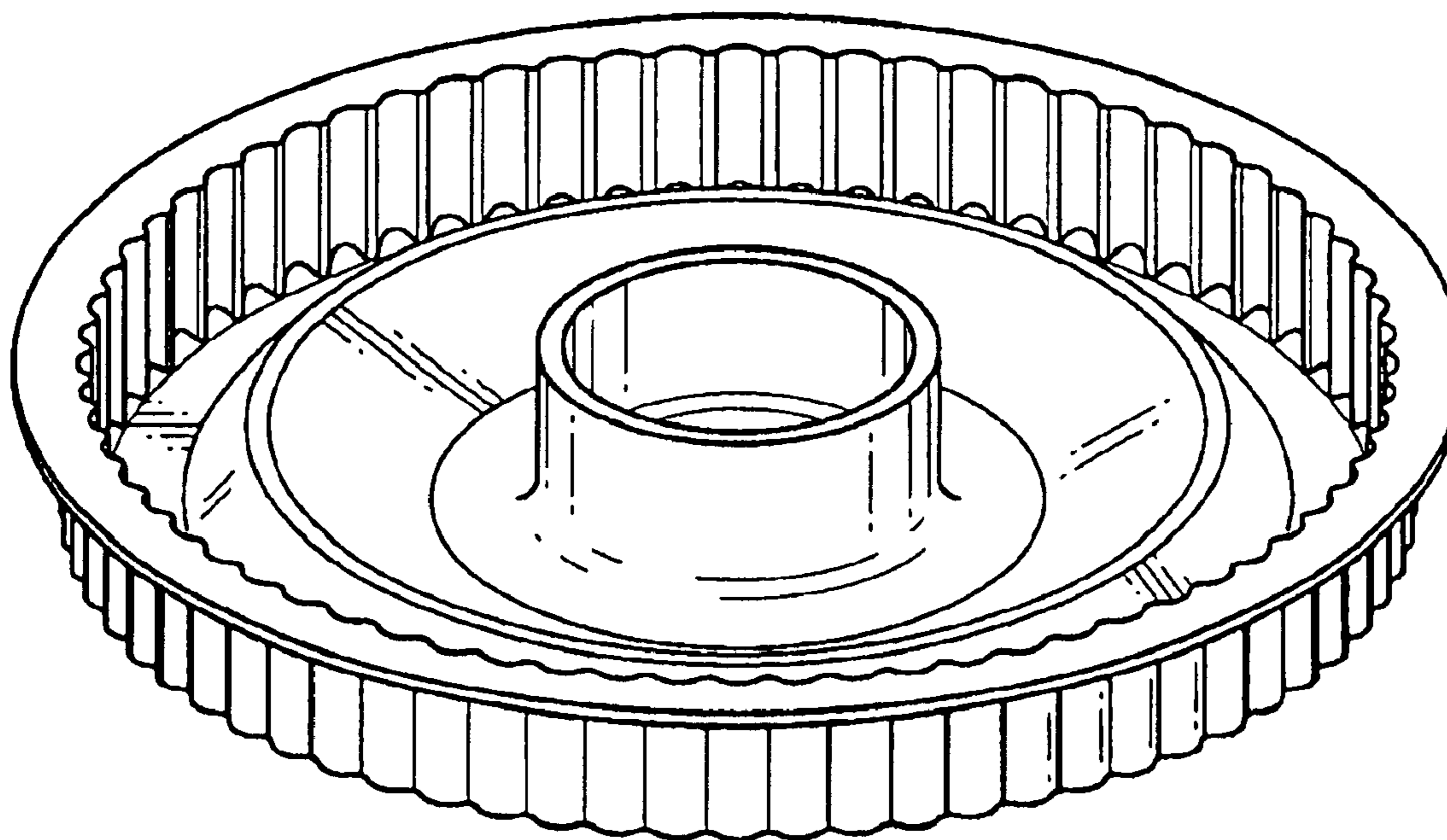
FIG. 1 is a perspective view of the shrimp cocktail container according to the invention;
FIG. 2 is a side view of the shrimp cocktail container of FIG. 1;
FIG. 3 is a top view of the shrimp cocktail container of FIG. 1; and,
FIG. 4 is a bottom view of the shrimp cocktail container of FIG. 1.

(56) **References Cited**

U.S. PATENT DOCUMENTS

- D221,883 S * 9/1971 Cash D7/553.6
- D312,027 S * 11/1990 Cyr et al. D7/585
- 4,989,419 A * 2/1991 Brando et al. 62/457.2
- D338,136 S * 8/1993 Melamed et al. D7/586
- D344,875 S * 3/1994 Pomroy et al. D7/554.2

1 Claim, 3 Drawing Sheets



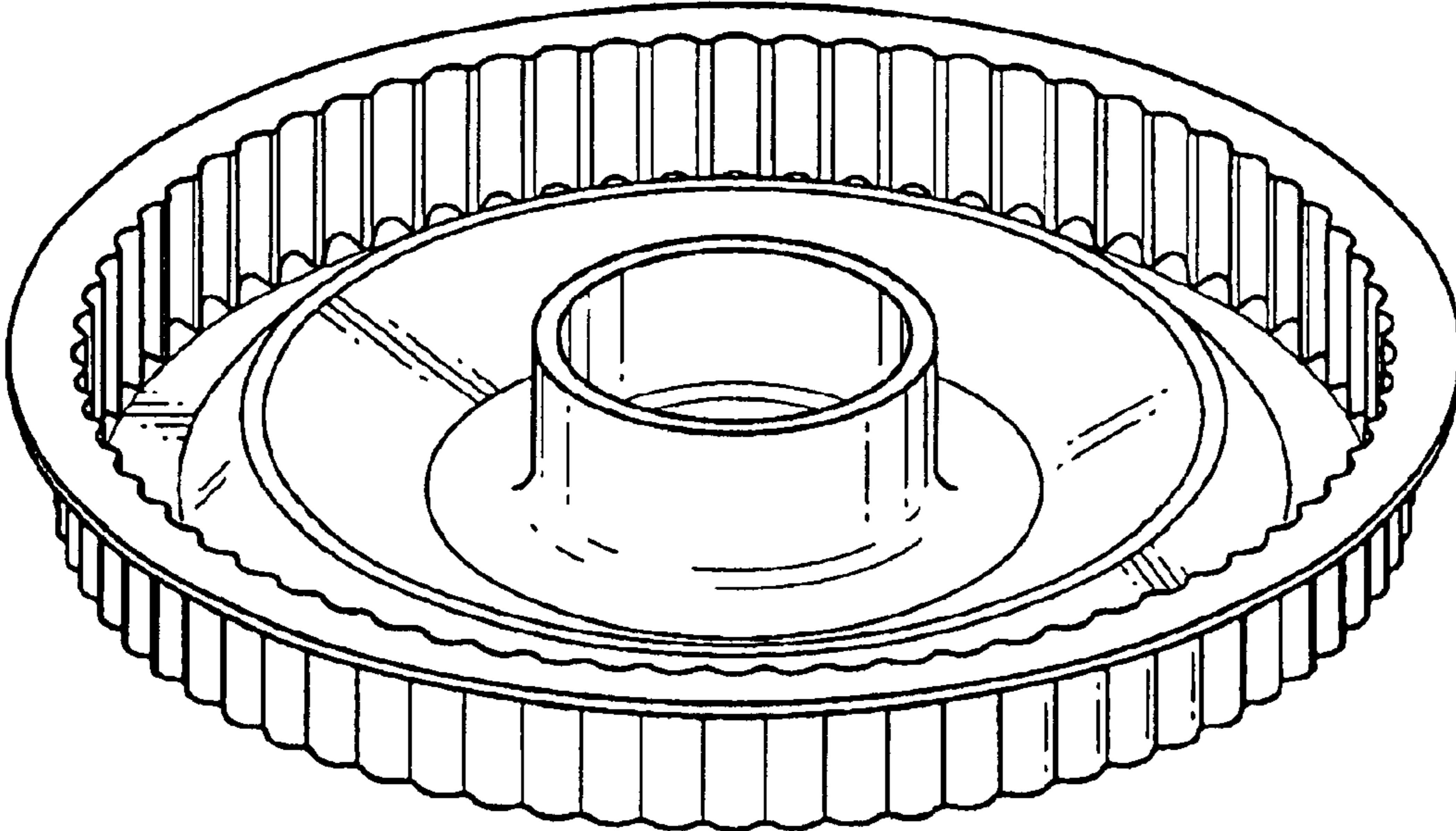


FIG. 1

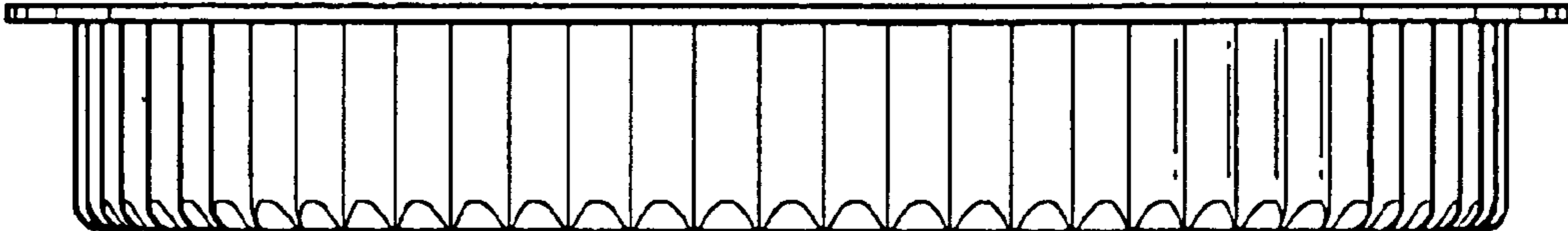


FIG. 2

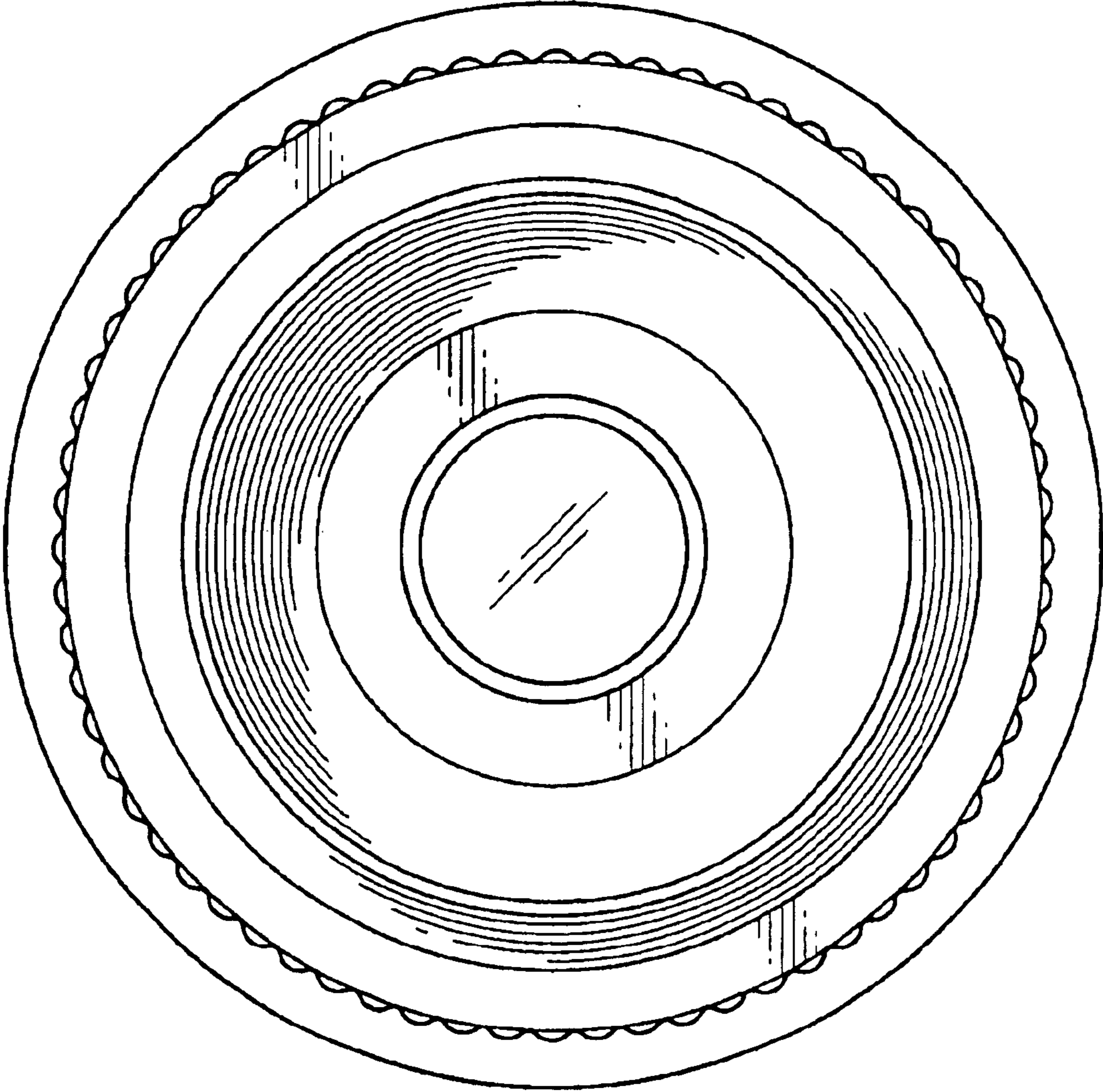


FIG. 3

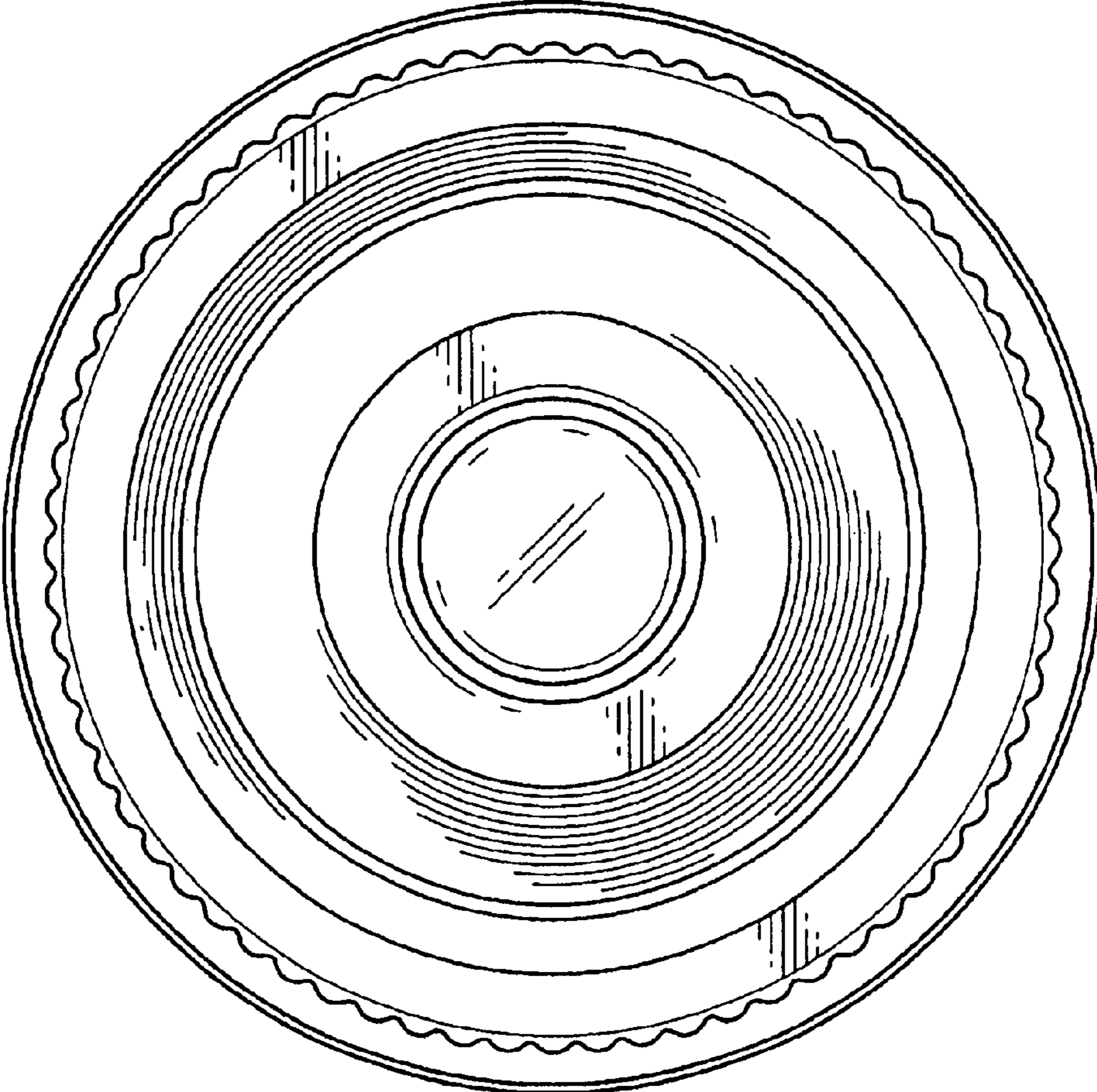


FIG. 4