



US00D511268S

(12) **United States Design Patent** (10) **Patent No.:** **US D511,268 S**
Ryan (45) **Date of Patent:** **** Nov. 8, 2005**

(54) **COOKING VESSEL FOR A SLOW COOKER**
 (75) Inventor: **Mary Anne Ryan, Millville, MA (US)**
 (73) Assignee: **The Holmes Group, Inc., Milford, MA (US)**
 (**) Term: **14 Years**

D409,447 S * 5/1999 Henry D7/360
 D434,940 S 12/2000 Hlava et al. D7/354
 D444,994 S 7/2001 Kalina et al. D7/360
 D459,144 S 6/2002 Brady D7/354
 6,573,483 B1 6/2003 DeCobert et al. 219/506
 D476,851 S * 7/2003 Wuestman D7/542
 D480,908 S 10/2003 Krasne D7/354
 D483,218 S * 12/2003 Fino et al. D7/360

(21) Appl. No.: **29/205,339**
 (22) Filed: **May 13, 2004**
 (51) **LOC (8) Cl.** **07-02**
 (52) **U.S. Cl.** **D7/360; D7/354**
 (58) **Field of Search** **D7/354-361, 500, D7/538, 540, 542, 545; 99/324, 339; 220/573.1-574**

* cited by examiner

Primary Examiner—Caron D. Veynar
Assistant Examiner—Vy Nguyen
 (74) *Attorney, Agent, or Firm*—Hoffmann & Baron, LLP; Francies E. Marino

(56) **References Cited**

U.S. PATENT DOCUMENTS

D60,746 S * 4/1922 Ambler D7/540
 D68,561 S * 10/1925 Anduze D7/542
 D230,935 S * 3/1974 Lloveras D7/360
 D248,363 S 7/1978 Rinaldi D7/354
 D254,831 S * 4/1980 Smith D7/540
 D284,257 S 6/1986 Greb et al. D7/355
 D293,872 S * 1/1988 Wang D7/354
 D328,836 S * 8/1992 Unger D7/354
 D336,815 S 6/1993 Cashin et al. D7/367
 D366,592 S 1/1996 Cesaroni et al. D7/360
 5,865,098 A 2/1999 Anelli 99/331

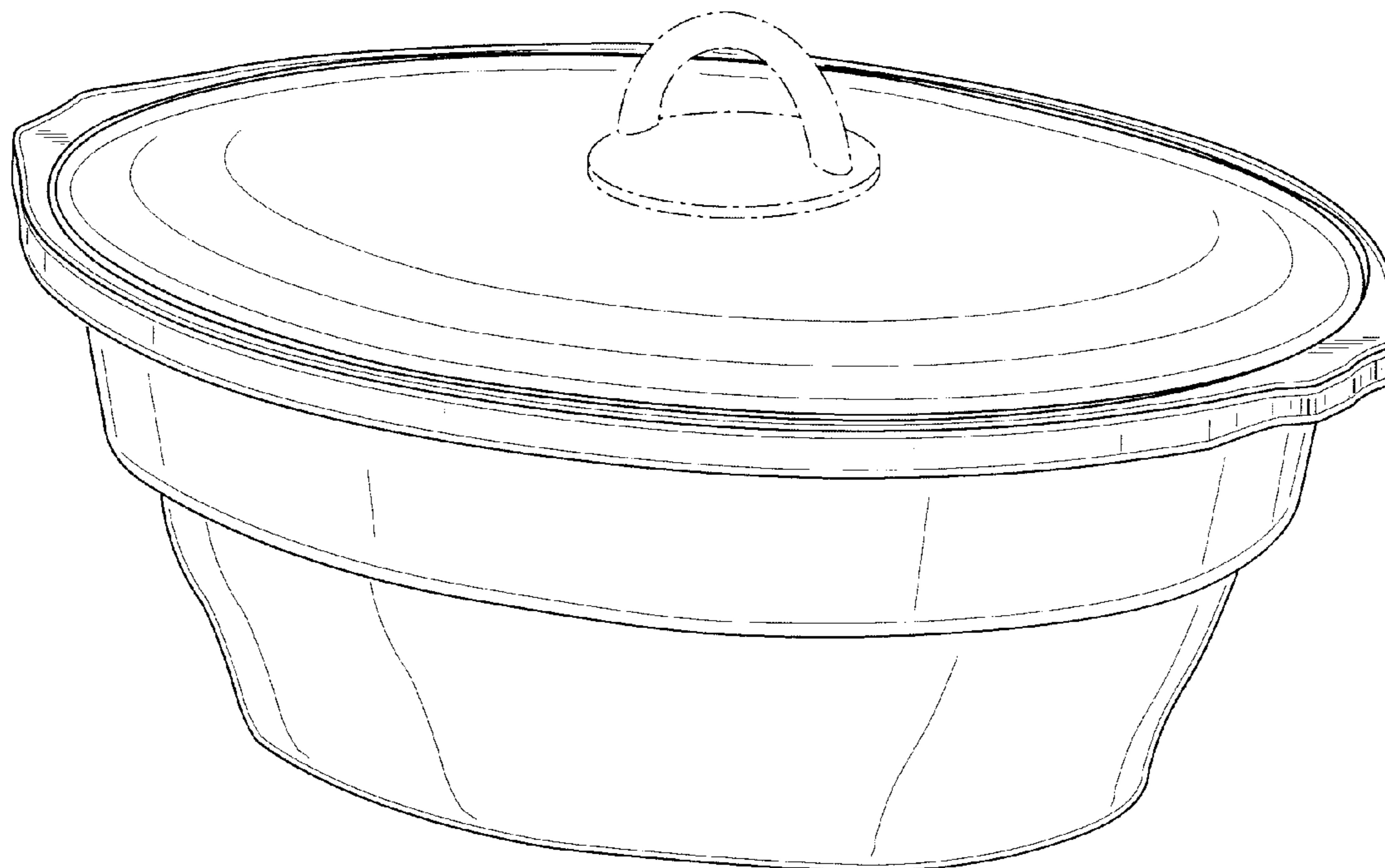
(57) **CLAIM**

The ornamental design for a cooking vessel for a slow cooker, as shown and described.

DESCRIPTION

FIG. 1 is a top perspective view of a cooking vessel for a slow cooker showing my new design;
 FIG. 2 is a top plan view thereof;
 FIG. 3 is a front elevation view thereof; and,
 FIG. 4 is a side elevation view thereof, the opposite side being a mirror image thereof.
 The subject matter shown in broken lines is for illustrative purposes only and forms no part of the claimed design.

1 Claim, 4 Drawing Sheets



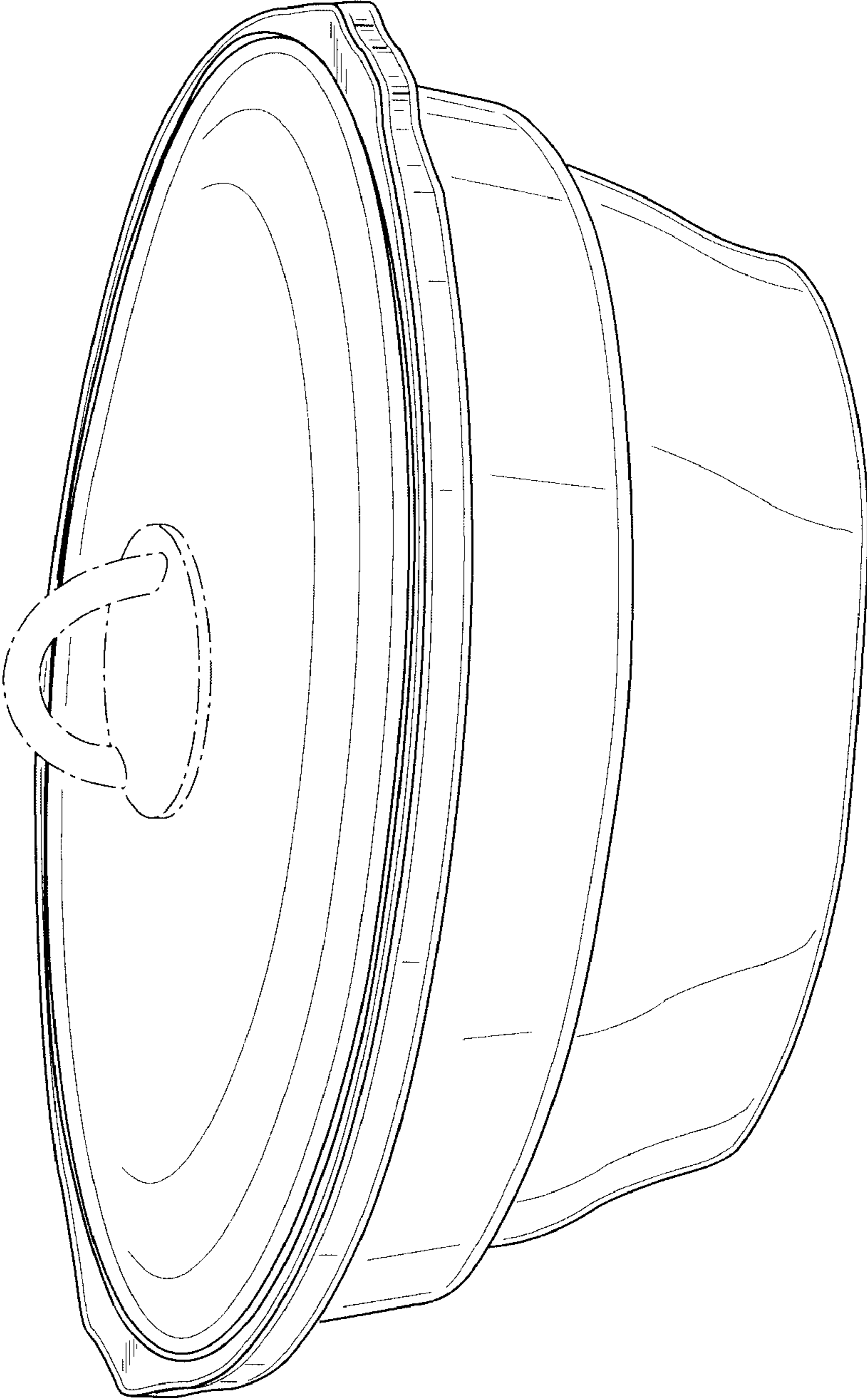


FIG. 1

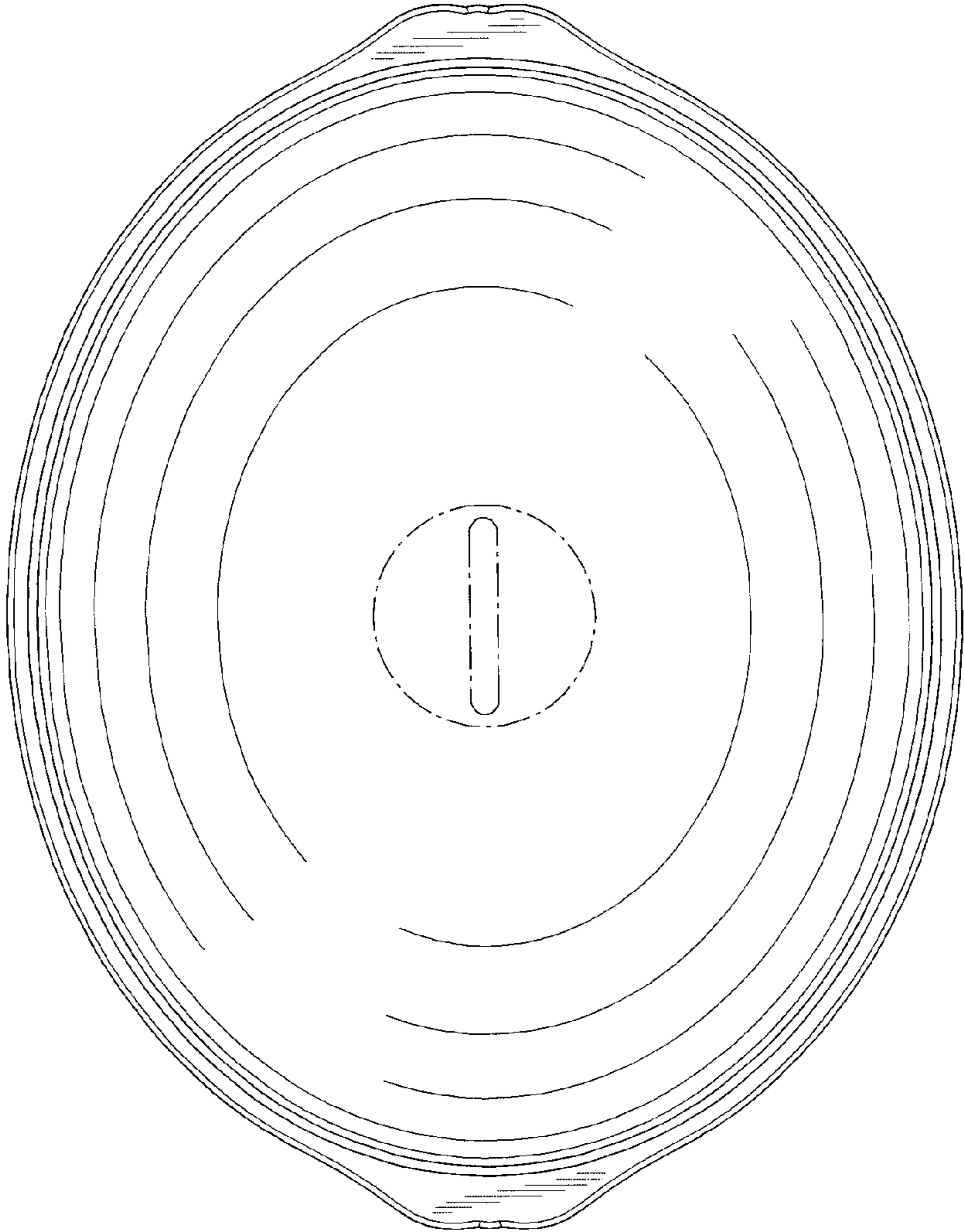


FIG. 2

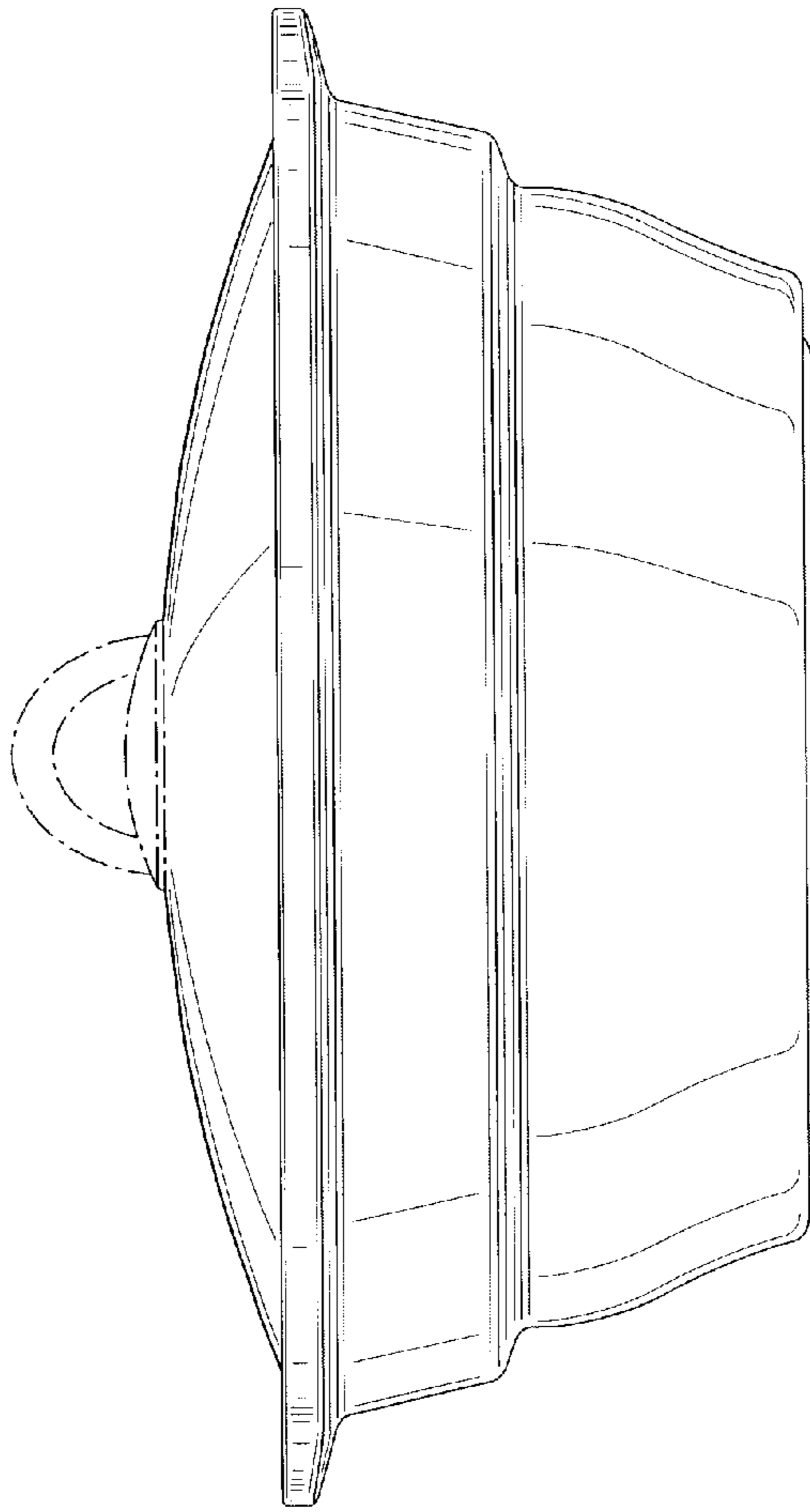


FIG. 3

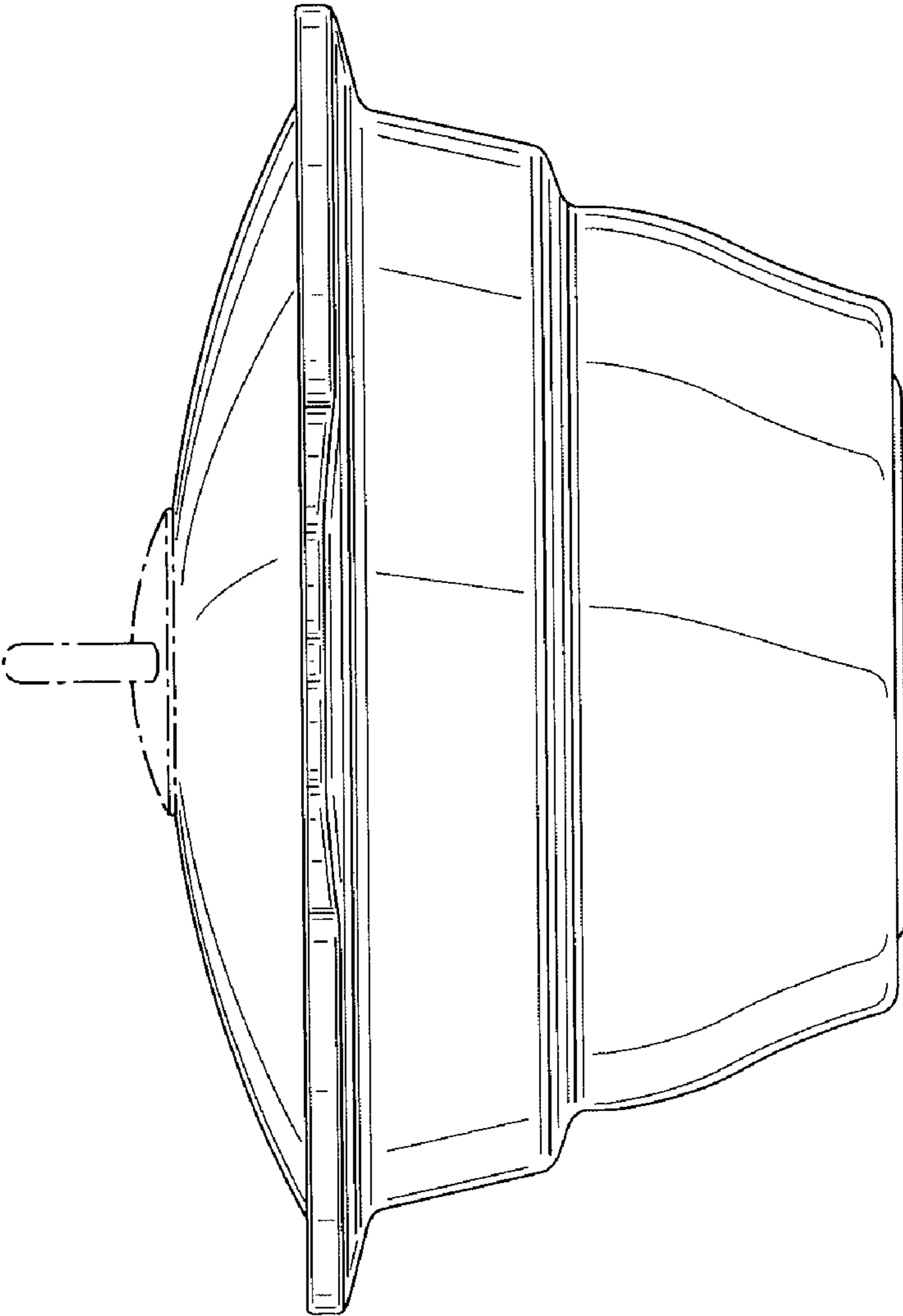


FIG. 4