



US00D511264S

(12) **United States Design Patent**
Lai

(10) **Patent No.: US D511,264 S**

(45) **Date of Patent: ** Nov. 8, 2005**

(54) **CONTAINER**

(76) Inventor: **Ming-Hsiao Lai**, No. 8, Lane 2, Kung Chi Village, Ta Tsuen Hsiang, Chang-Hua Hsien (TW)

(**) Term: **14 Years**

(21) Appl. No.: **29/199,366**

(22) Filed: **Feb. 17, 2004**

(51) **LOC (8) Cl.** **23-02**

(52) **U.S. Cl.** **D6/524**

(58) **Field of Search** D6/524, 551; 312/206, 312/207; 206/207, 349, 361; 4/255.05, 255.11; D34/1, 2; D19/77, 85, 81, 84; 220/910, 911; D11/143, 152

(56) **References Cited**

U.S. PATENT DOCUMENTS

D481,574 S	*	11/2003	Snell	D6/551
D483,590 S	*	12/2003	Dretzka	D6/551
D483,591 S	*	12/2003	Dretzka	D6/551
D489,501 S	*	5/2004	Dretzka	D34/1
D490,582 S	*	5/2004	Dretzka	D34/1

* cited by examiner

Primary Examiner—Brian N Vinson

(74) *Attorney, Agent, or Firm*—Harrison & Egbert

(57) **CLAIM**

The ornamental design for a container, as shown and described.

DESCRIPTION

FIG. 1 is a top and front perspective view of the container showing my design;

FIG. 2 is a front elevational view thereof;

FIG. 3 is a rear elevational view thereof;

FIG. 4 is a side elevational view thereof;

FIG. 5 is an opposite side elevational view thereof;

FIG. 6 is a top plan view thereof;

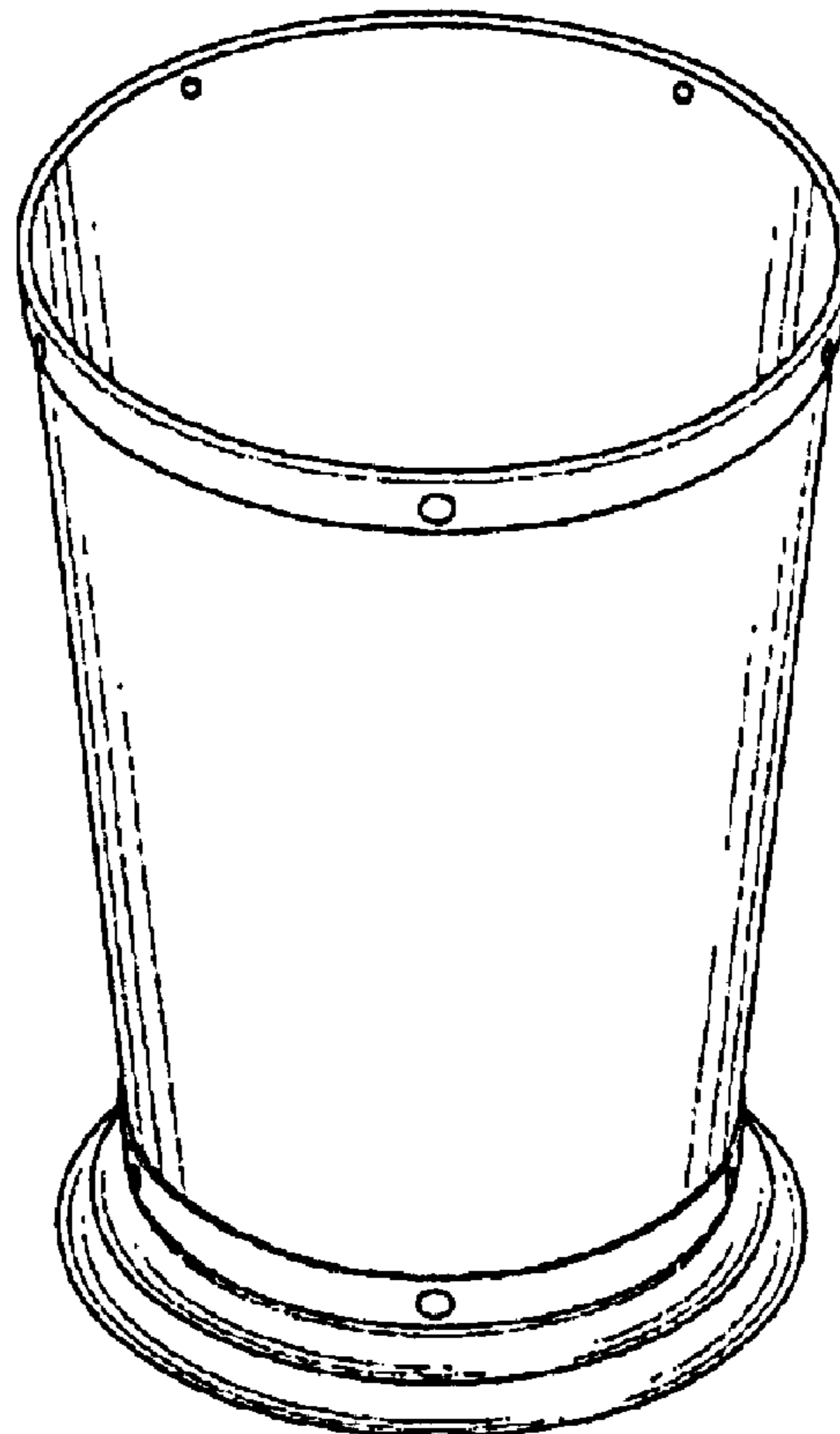
FIG. 7 is a bottom plan view thereof;

FIG. 8 is a top and front perspective view of a second embodiment thereof;

FIG. 9 is a top and front perspective view of a third embodiment thereof; and,

FIG. 10 is a top and front perspective view of a fourth embodiment thereof.

1 Claim, 6 Drawing Sheets



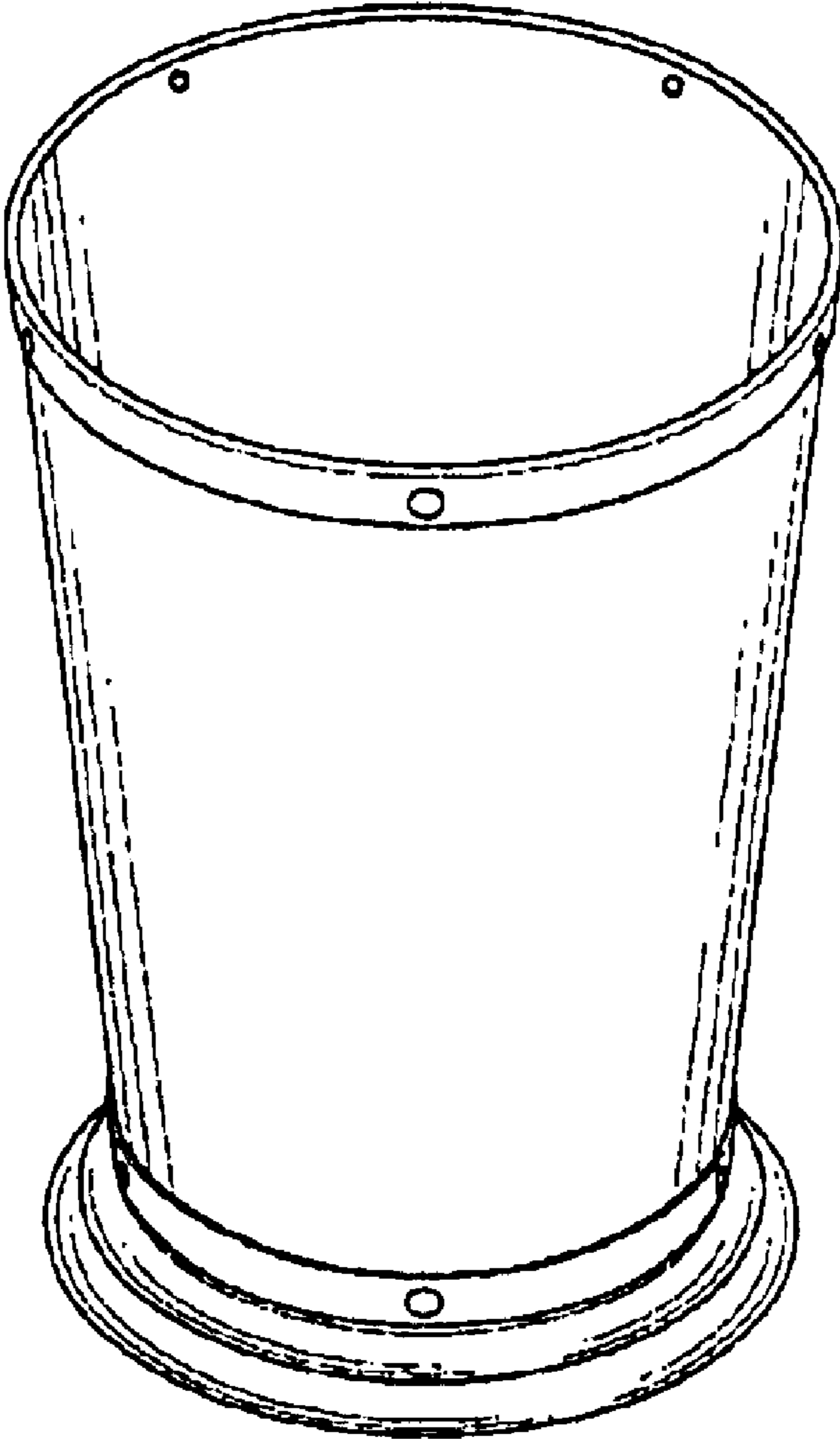


FIG. 1

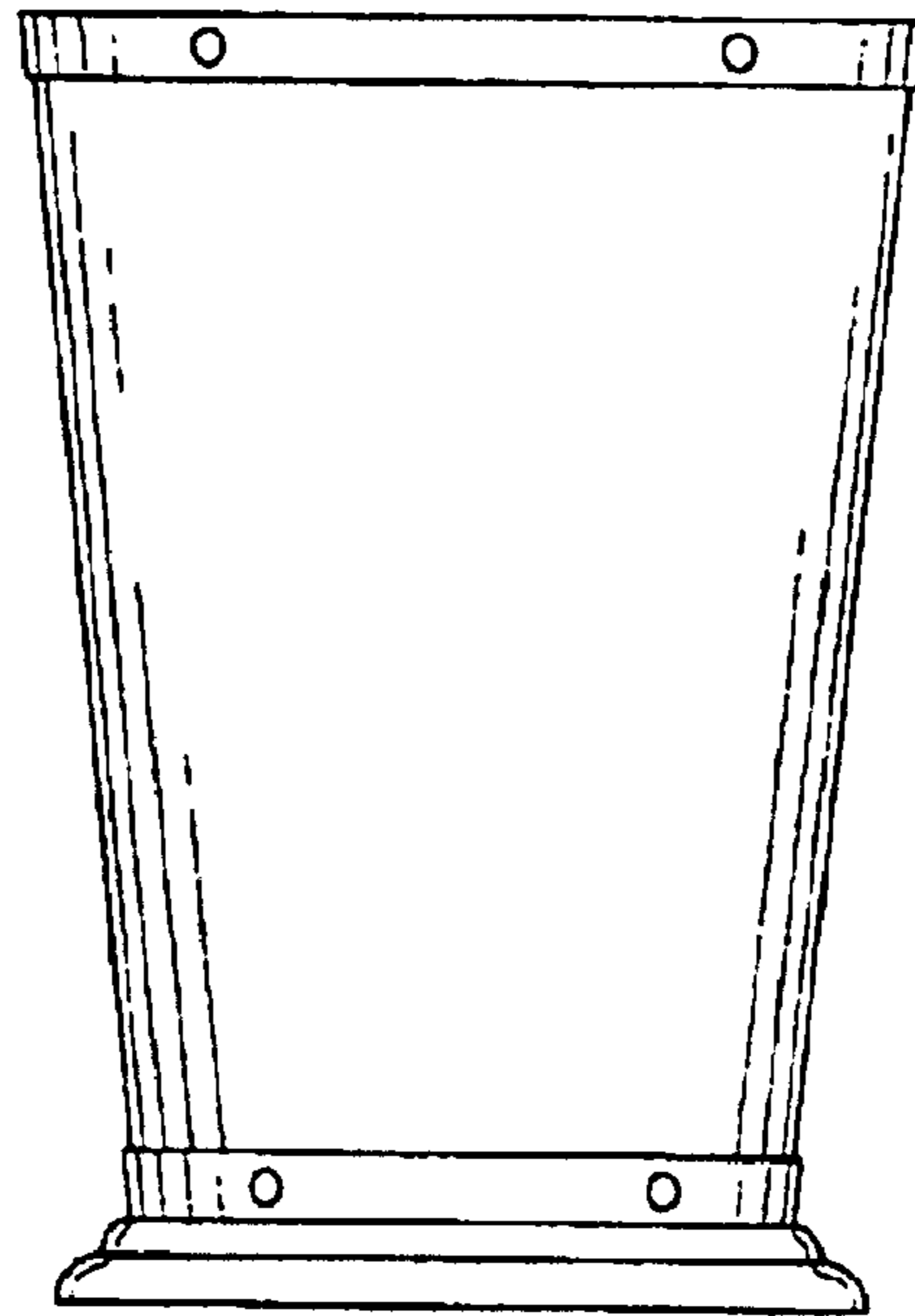


FIG. 2

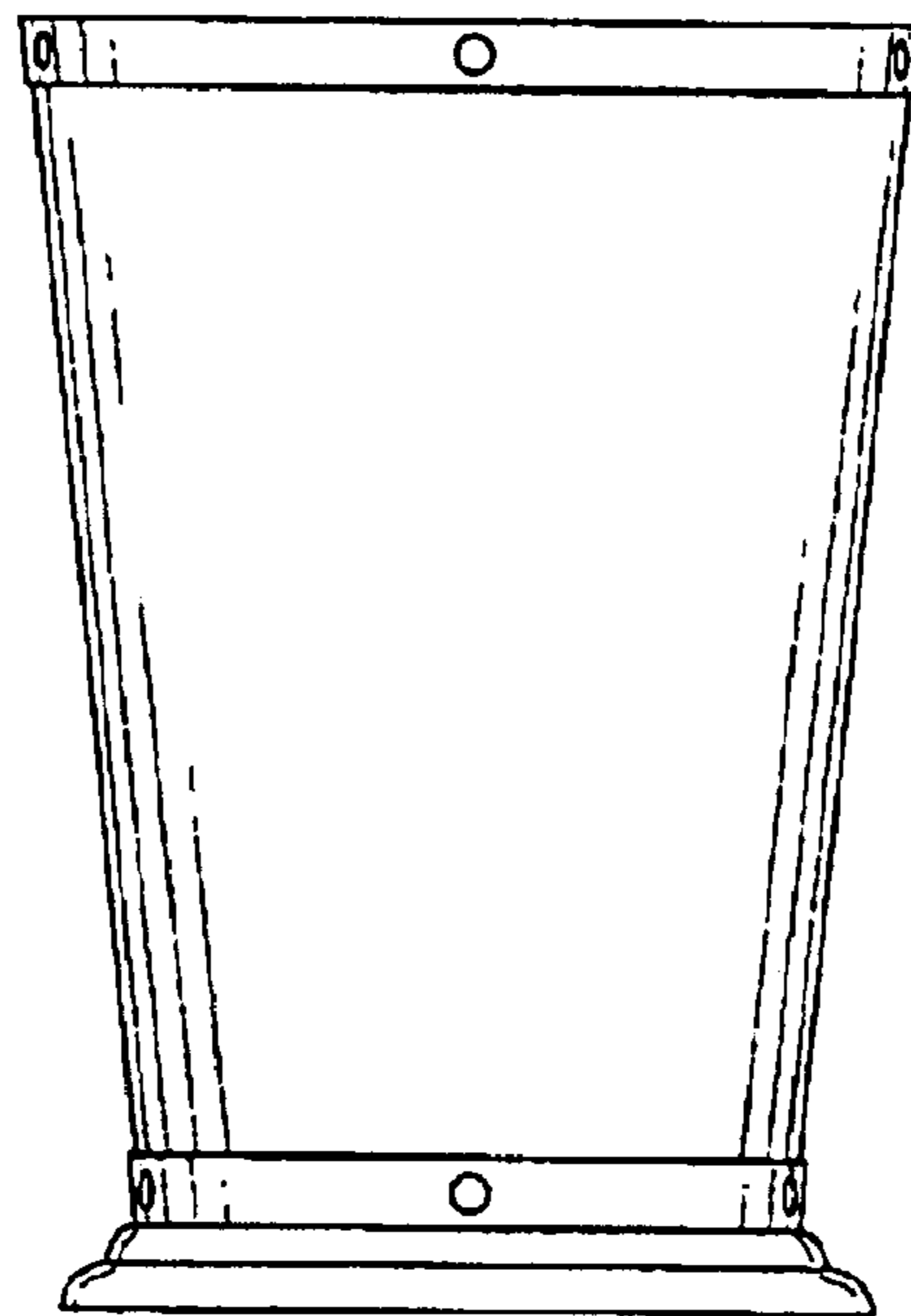


FIG. 3

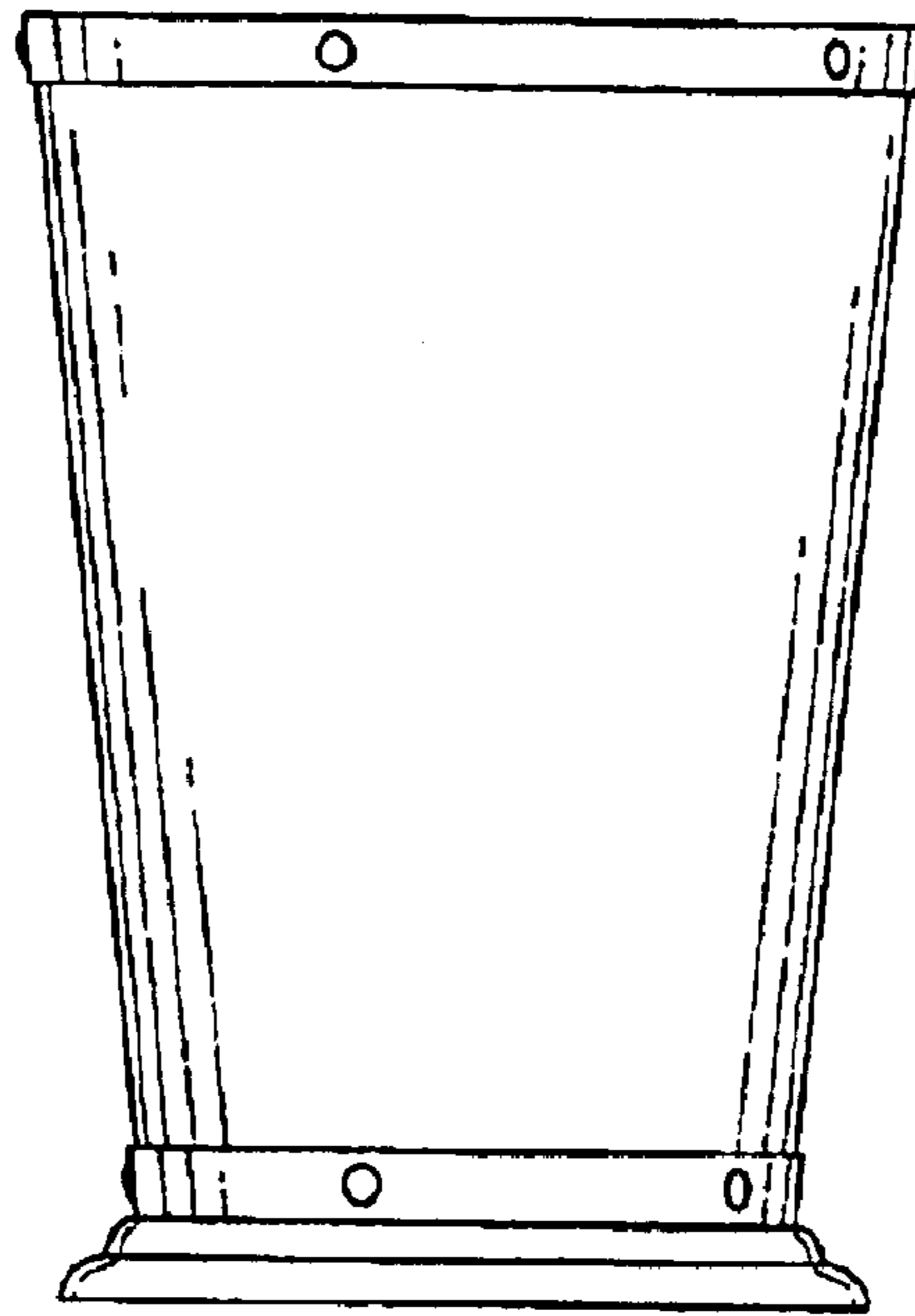


FIG. 4

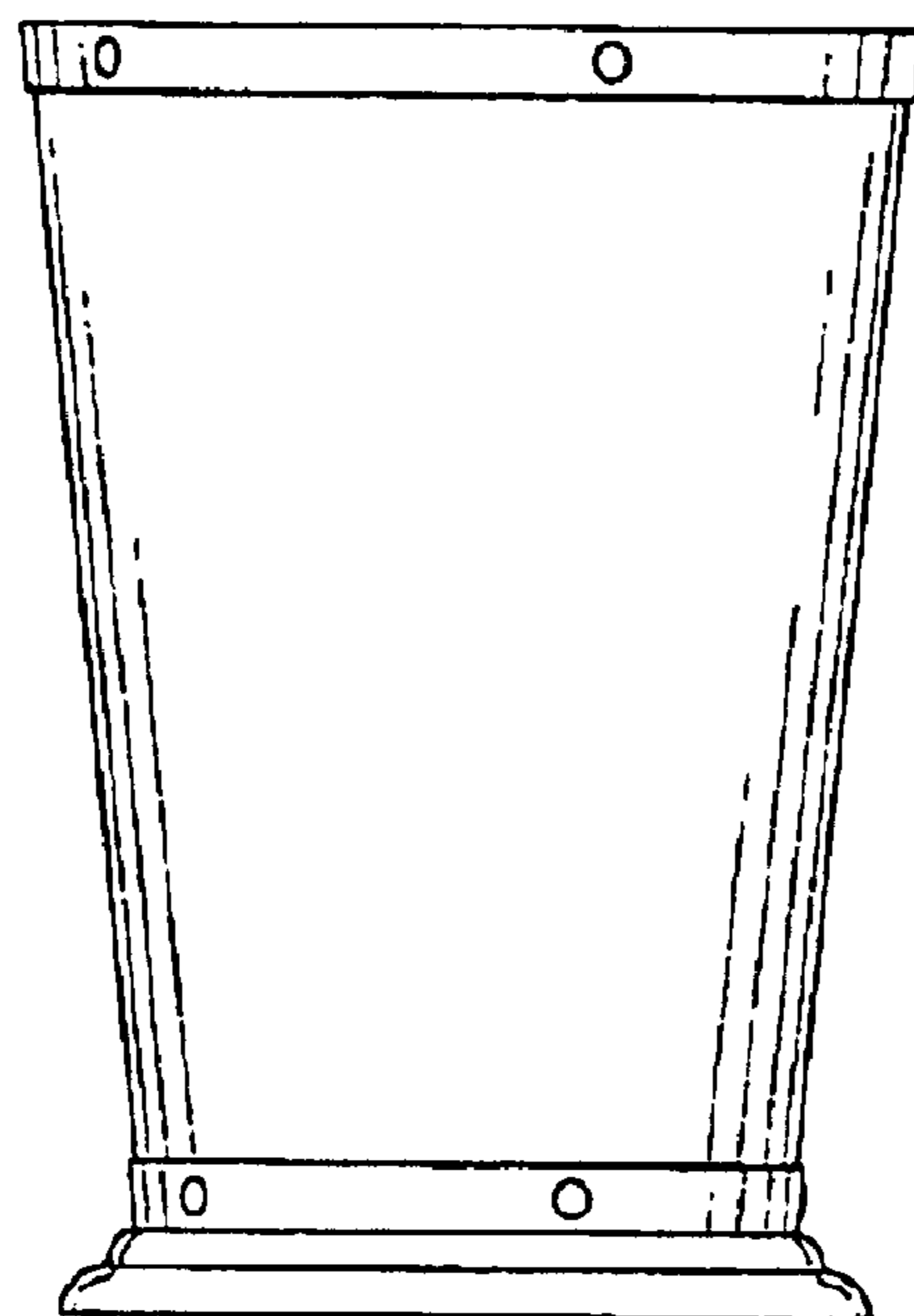


FIG. 5

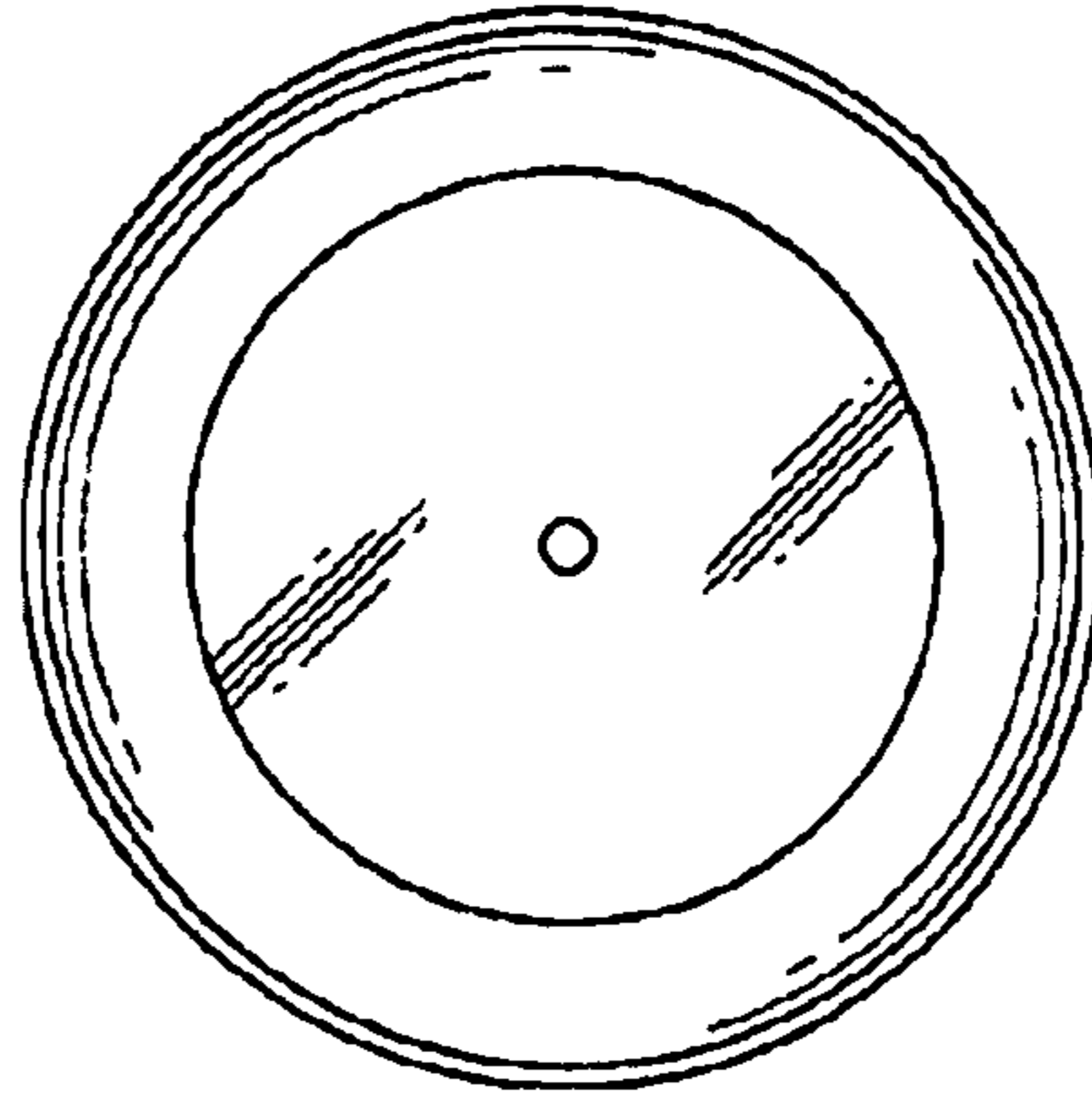


FIG. 6

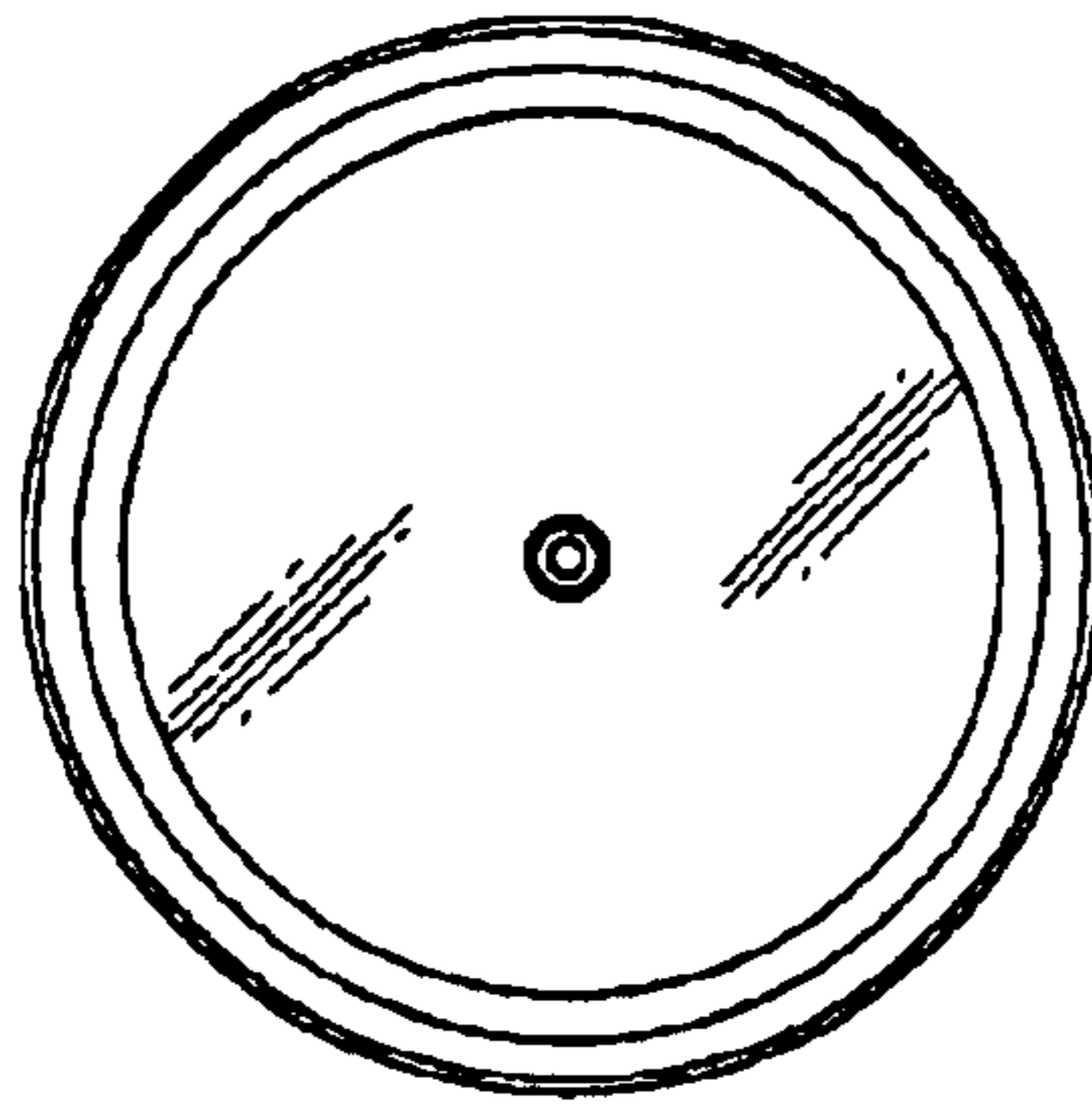


FIG. 7

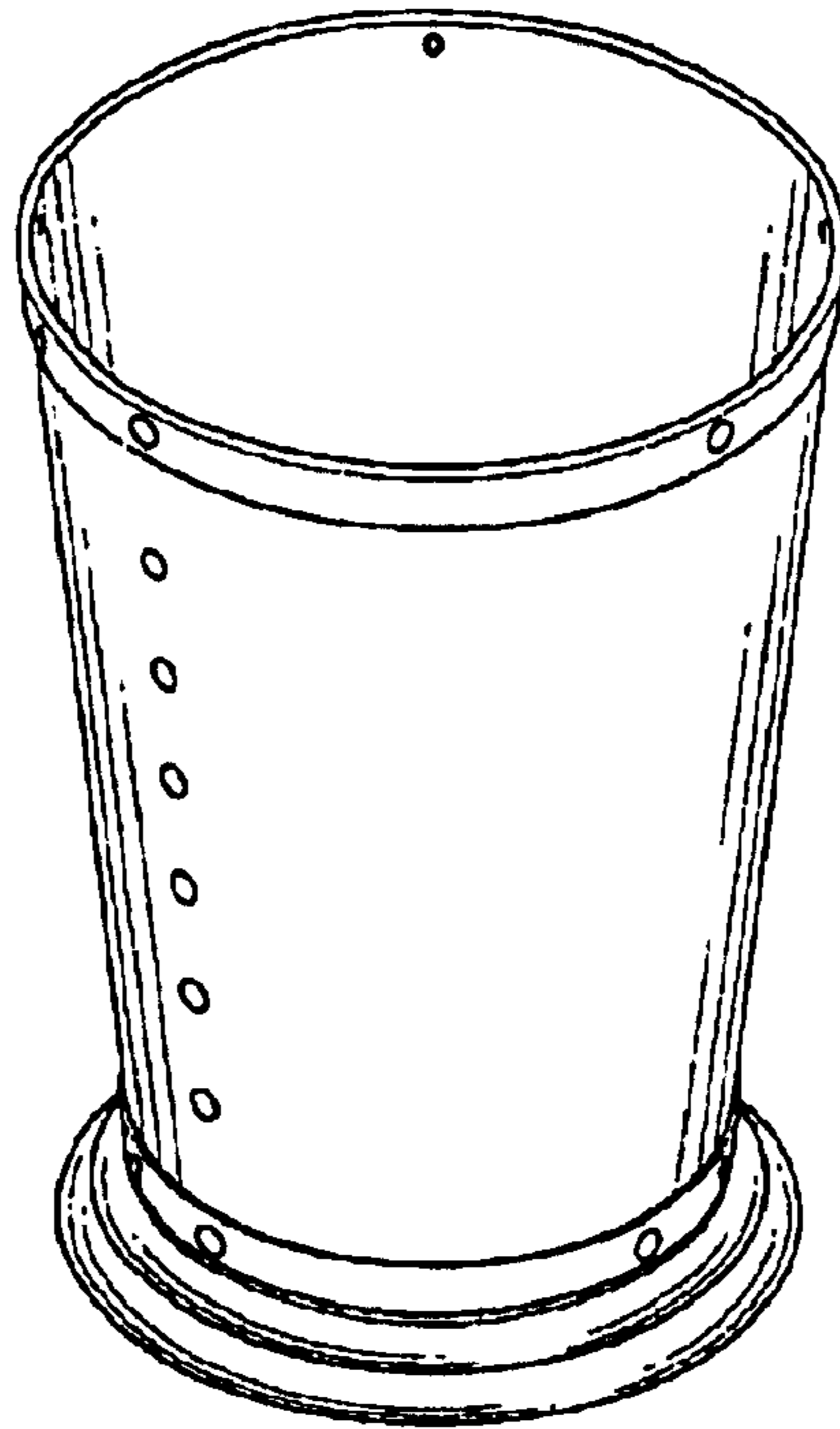


FIG. 8

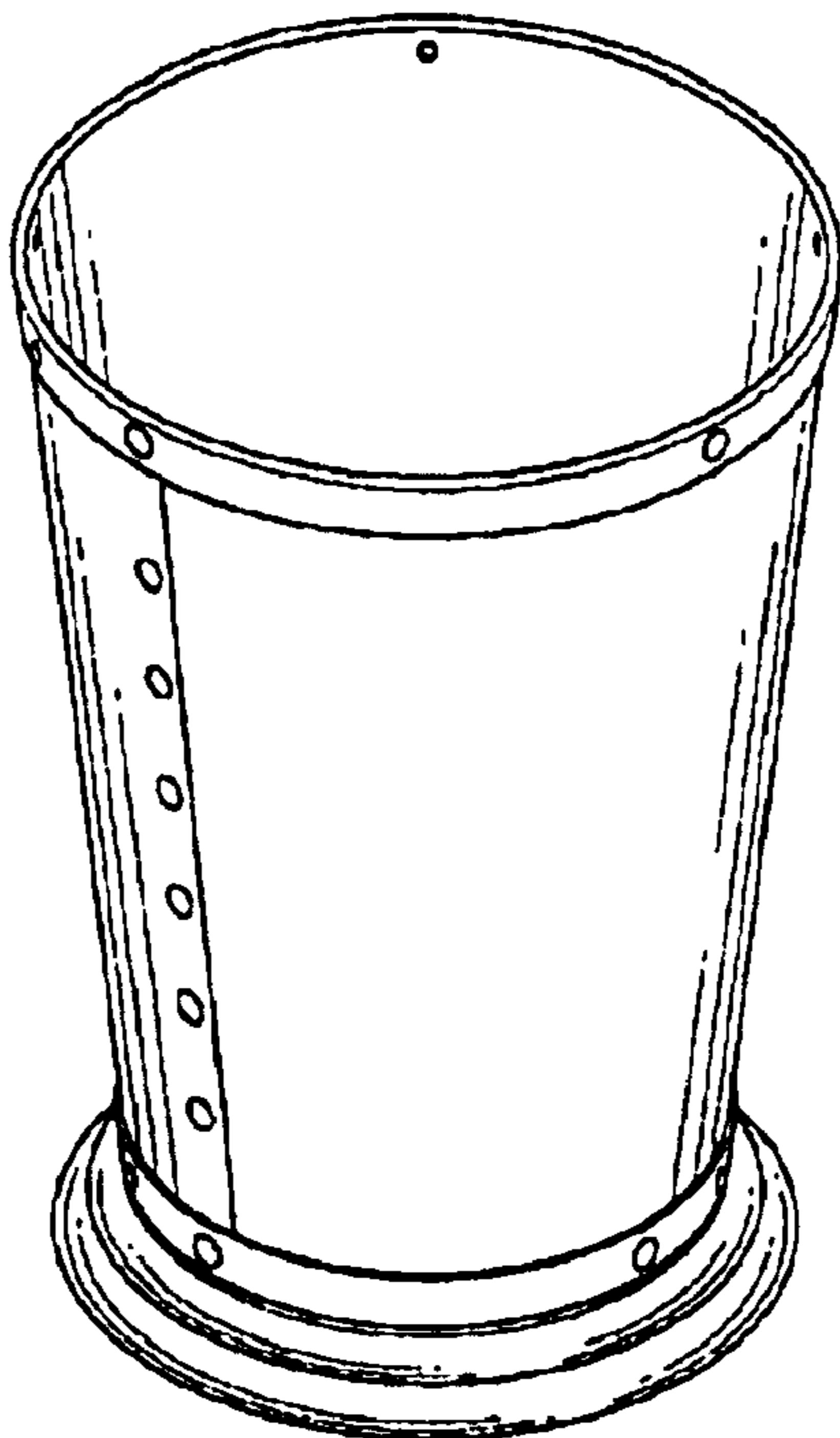


FIG. 9

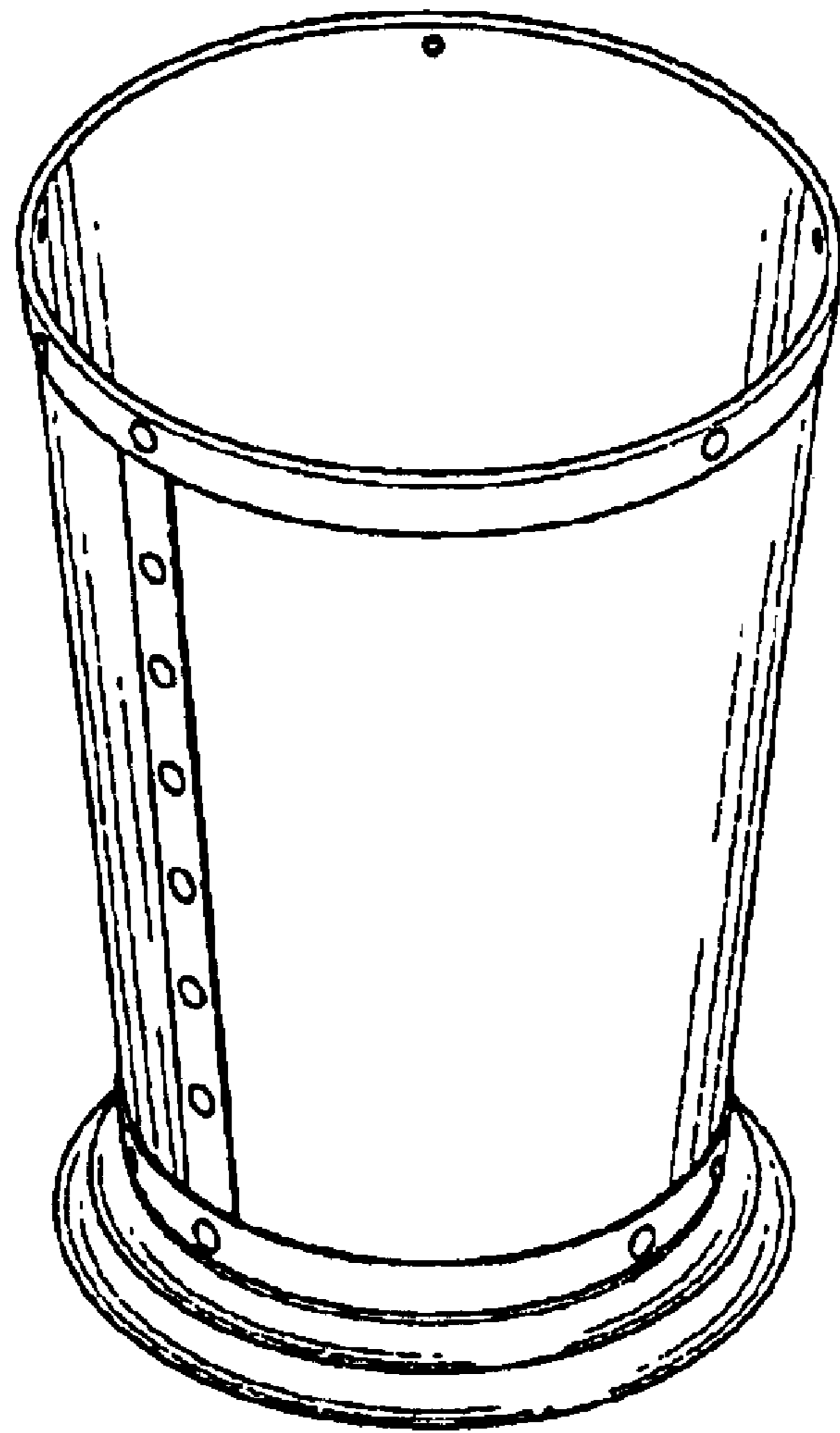


FIG. 10