



US00D511263S

(12) **United States Design Patent**
Ferrer Beltran

(10) **Patent No.:** **US D511,263 S**
(45) **Date of Patent:** **** Nov. 8, 2005**

(54) **ROLLHOLDER FOR BATHROOM**

(75) **Inventor:** **Jose M. Ferrer Beltran, Bonrepos (ES)**

(73) **Assignee:** **Ibergesfer, S.L. (ES)**

(**) **Term:** **14 Years**

(21) **Appl. No.:** **29/185,338**

(22) **Filed:** **Jun. 26, 2003**

(30) **Foreign Application Priority Data**

Mar. 13, 2003 (ES) D156462

(51) **LOC (8) Cl.** **23-02**

(52) **U.S. Cl.** **D6/523**

(58) **Field of Search** D6/518-523; 206/389;
242/520, 555, 595, 597, 597.1

(56) **References Cited**

U.S. PATENT DOCUMENTS

D374,585 S * 10/1996 Moon D6/523

D465,365 S * 11/2002 Moore D6/523
D471,748 S * 3/2003 Moore D6/523
D477,481 S * 7/2003 Ouano D6/523

* cited by examiner

Primary Examiner—Brian N Vinson

(74) *Attorney, Agent, or Firm*—Lackenbach Siegel, LLP

(57) **CLAIM**

The ornamental design for a rollholder for bathroom, as shown and described.

DESCRIPTION

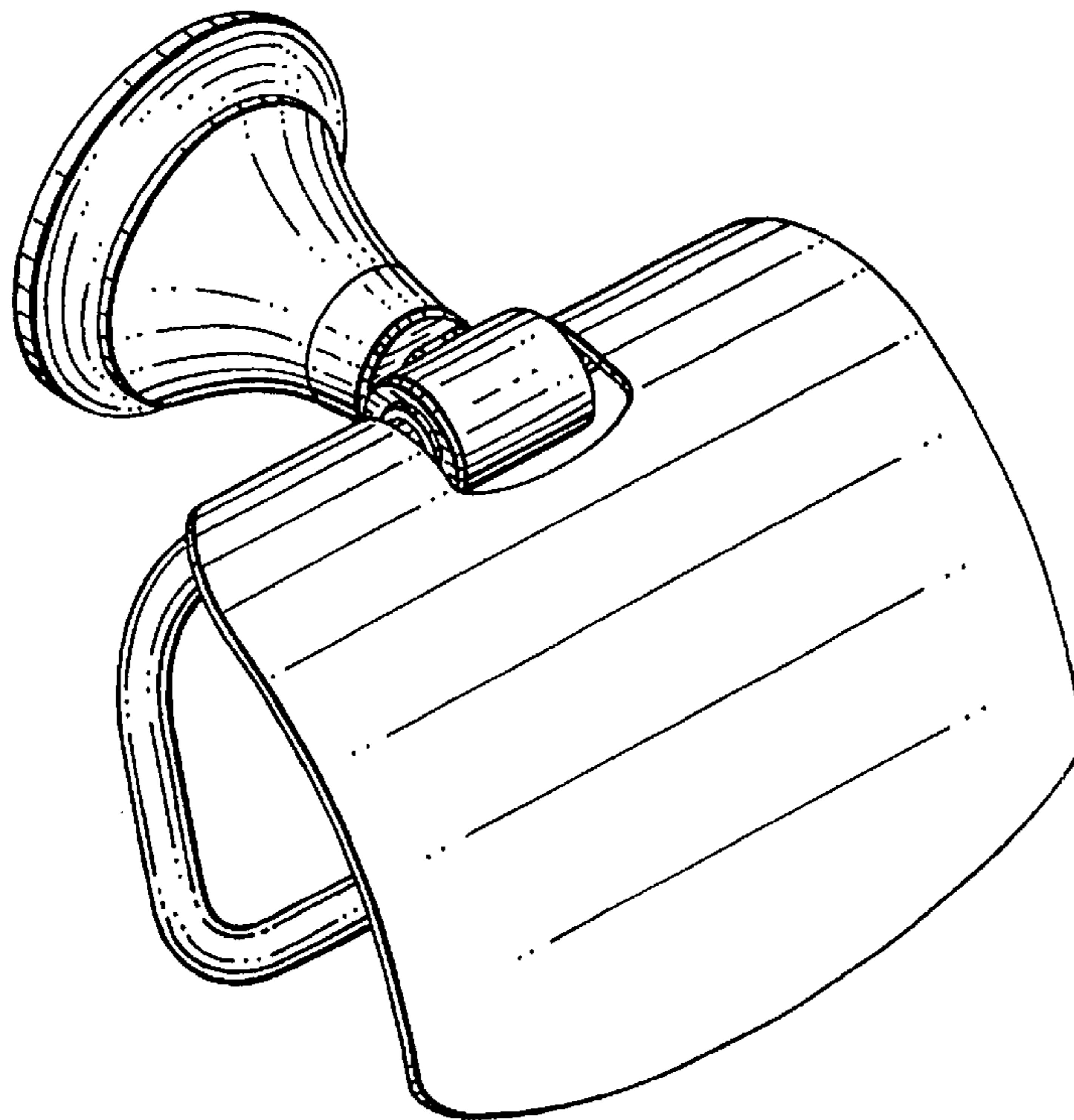
FIG. 1 is a left side elevational view of the of a rollholder for bathroom showing my new design;

FIG. 2 is a front elevational view thereof;

FIG. 3 is a top plan view thereof; and,

FIG. 4 is a top, front, and left side perspective view thereof.

1 Claim, 2 Drawing Sheets



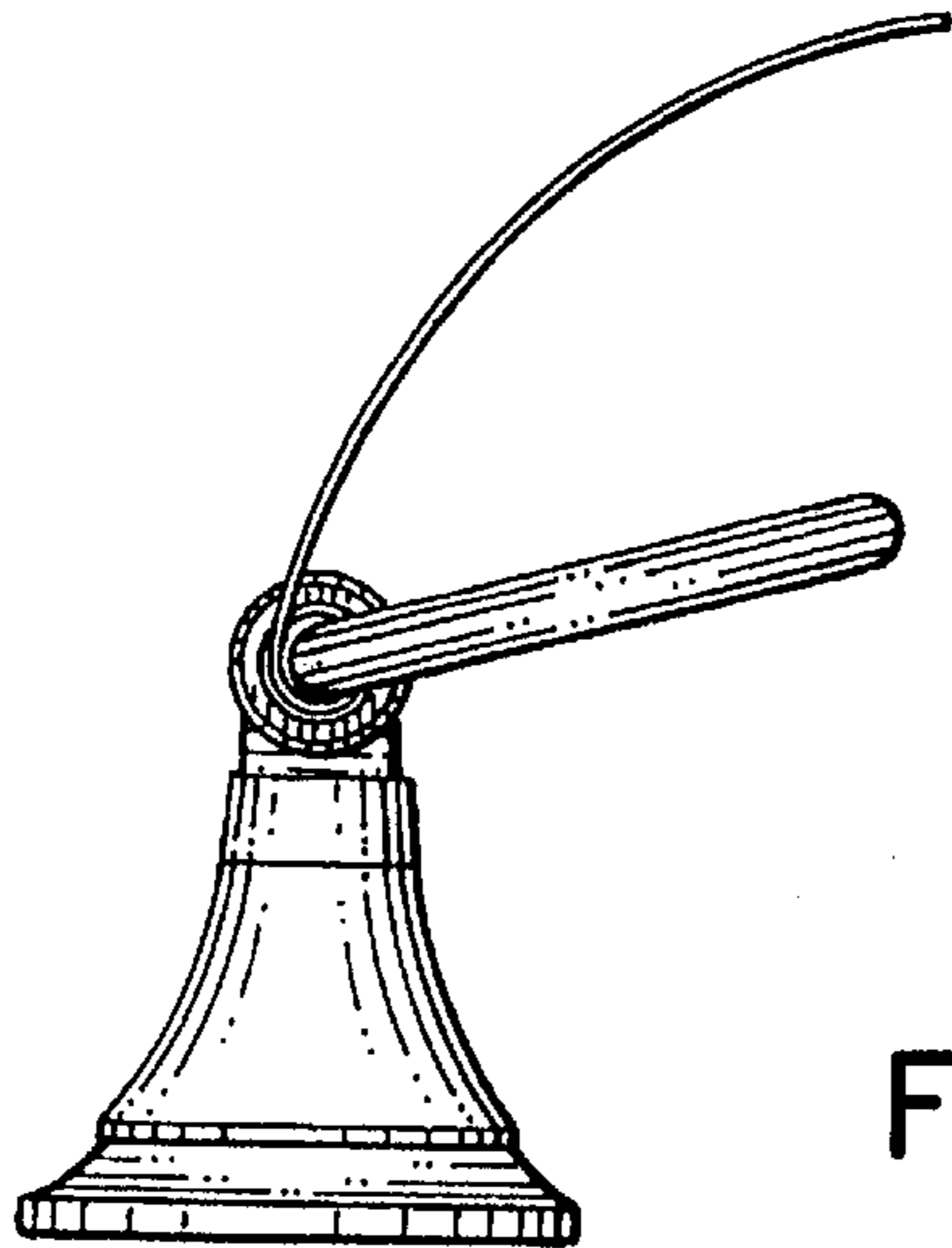


FIG. 1

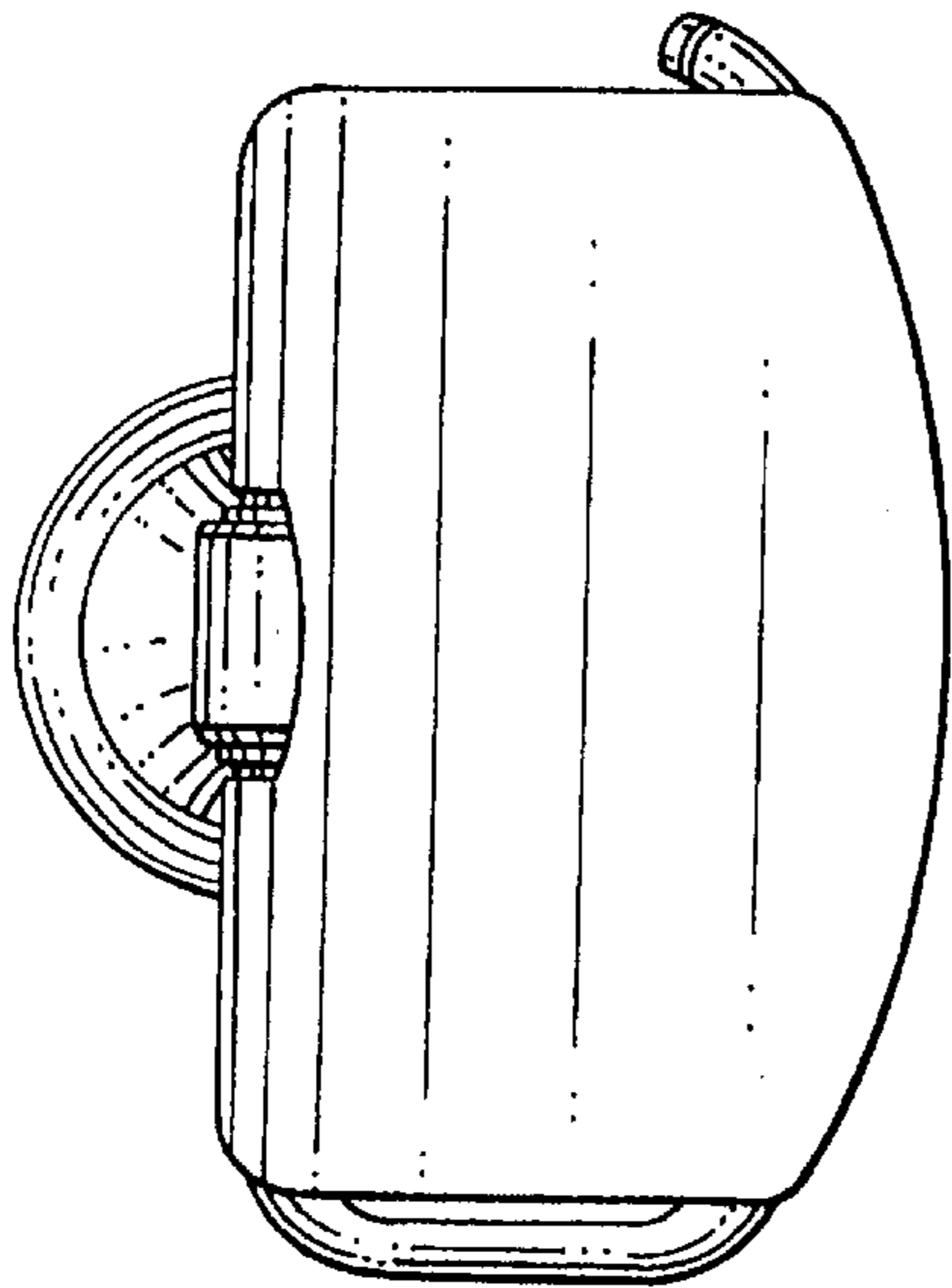


FIG. 2

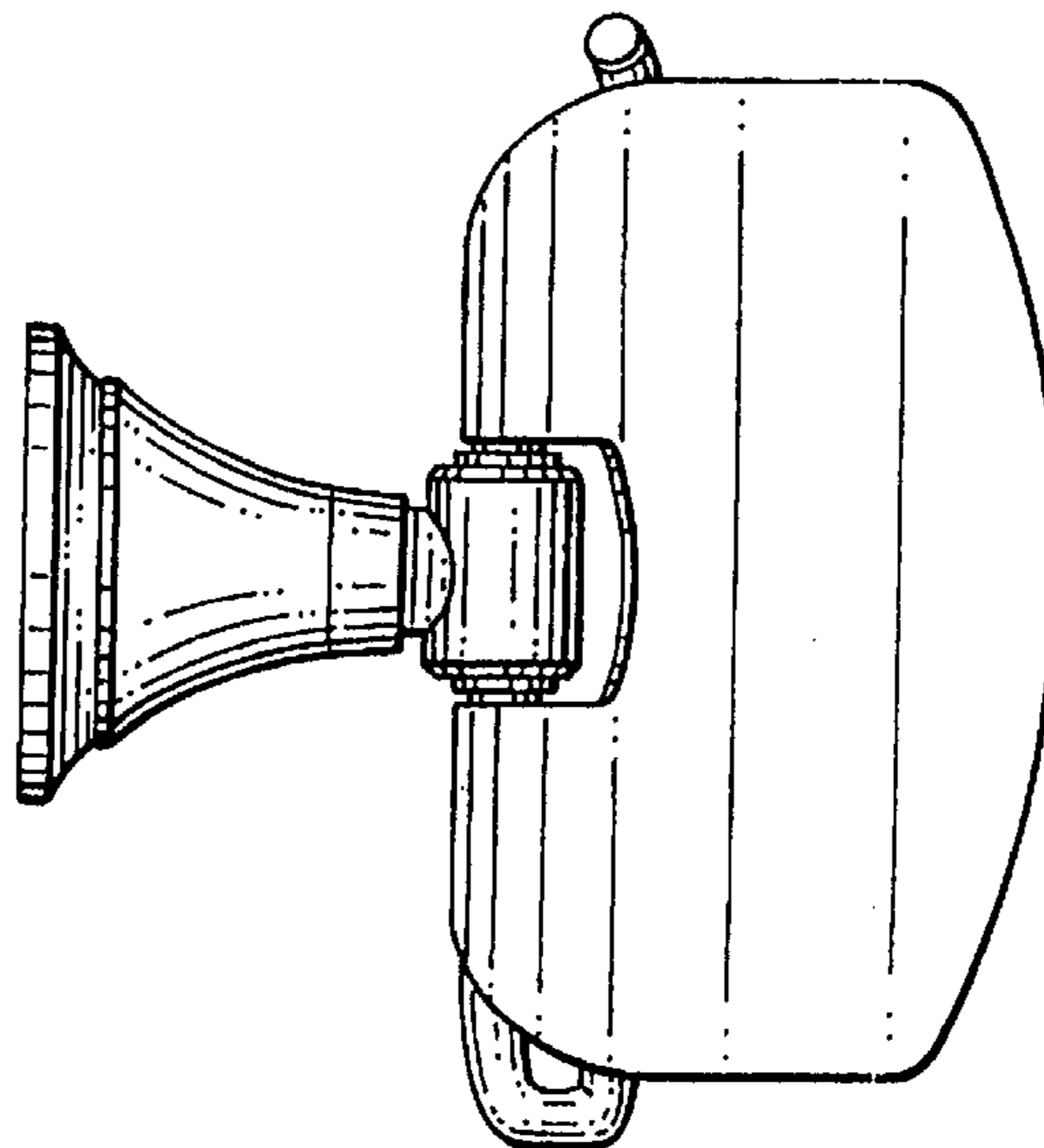


FIG. 3

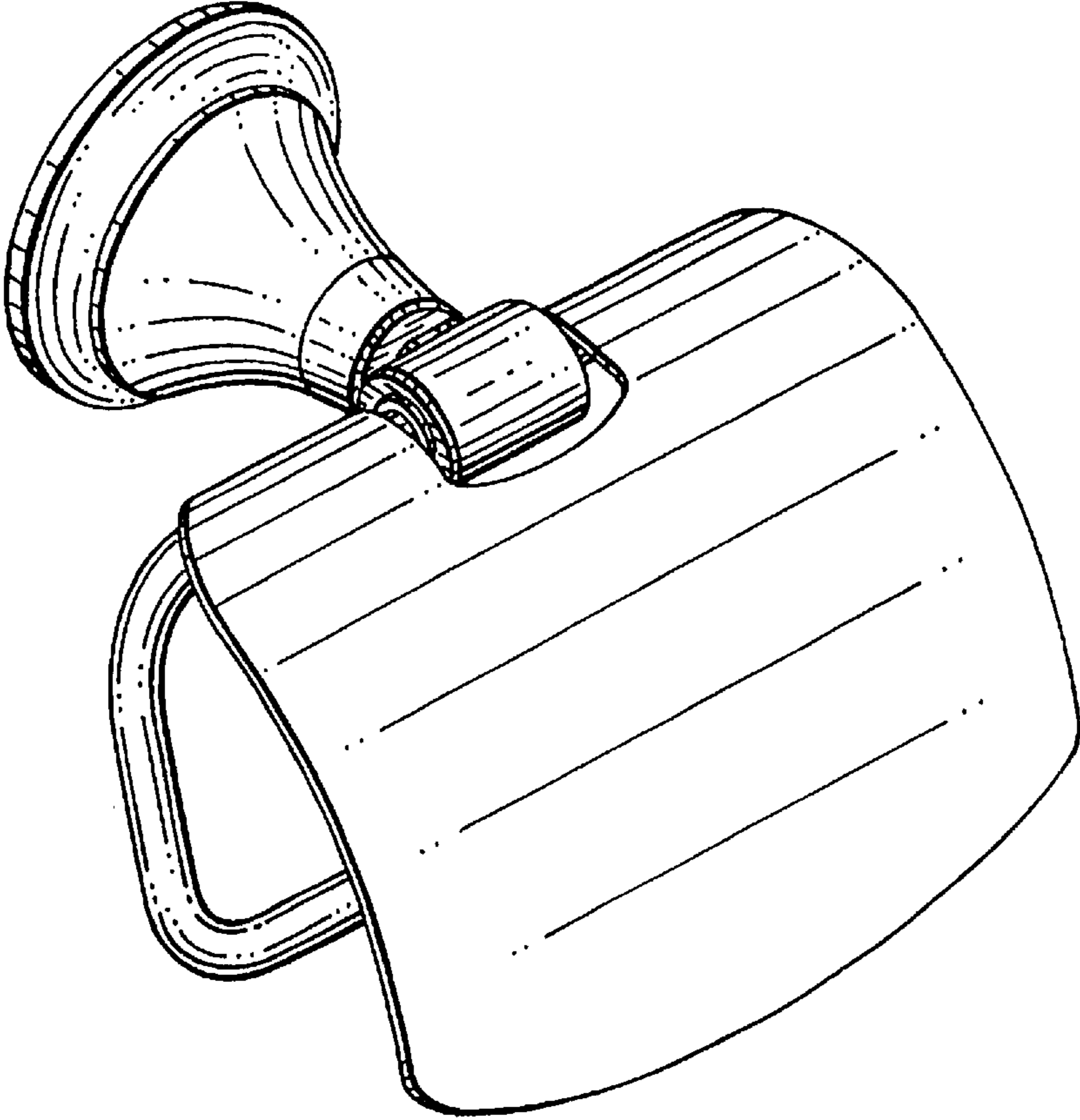


FIG.4