



US00D511257S

(12) **United States Design Patent**  
**Chabot**

(10) **Patent No.:** **US D511,257 S**

(45) **Date of Patent:** **\*\* Nov. 8, 2005**

(54) **TABLE**

(76) **Inventor:** **John Paul Chabot**, 51-28 Midfield Dr.,  
Waterbury, CT (US) 06705

(\*\*) **Term:** **14 Years**

(21) **Appl. No.:** **29/190,974**

(22) **Filed:** **Oct. 1, 2003**

(51) **LOC (8) Cl.** ..... **06-03**

(52) **U.S. Cl.** ..... **D6/486**

(58) **Field of Search** ..... D6/480-489, 495,  
D6/499, 497, 451, 429, 43; 108/150, 153.1,  
155, 156, 157.1, 161; 248/188, 188.1, 188.8

(56) **References Cited**

**U.S. PATENT DOCUMENTS**

1,846,878 A *	2/1932	Kopp	.....	362/125
D152,998 S *	3/1949	Martin	.....	D6/483
4,069,771 A	1/1978	Bertelsen	.....	108/66
4,334,482 A	6/1982	Bolduc	.....	108/95
4,942,829 A	7/1990	Harris	.....	108/79

5,363,772 A	11/1994	Adamidis	.....	108/66
5,568,775 A	10/1996	Rizzi et al.	.....	108/64
D392,478 S *	3/1998	Schwab	.....	D6/486
6,497,184 B1	12/2002	Whitesitt	.....	108/64

\* cited by examiner

*Primary Examiner*—Janice Seeger

(74) *Attorney, Agent, or Firm*—Ourpal R. Asija

(57) **CLAIM**

I claim the ornamental design for a table, as shown and described.

**DESCRIPTION**

FIG. 1 is an isometric perspective view of the table of this invention.

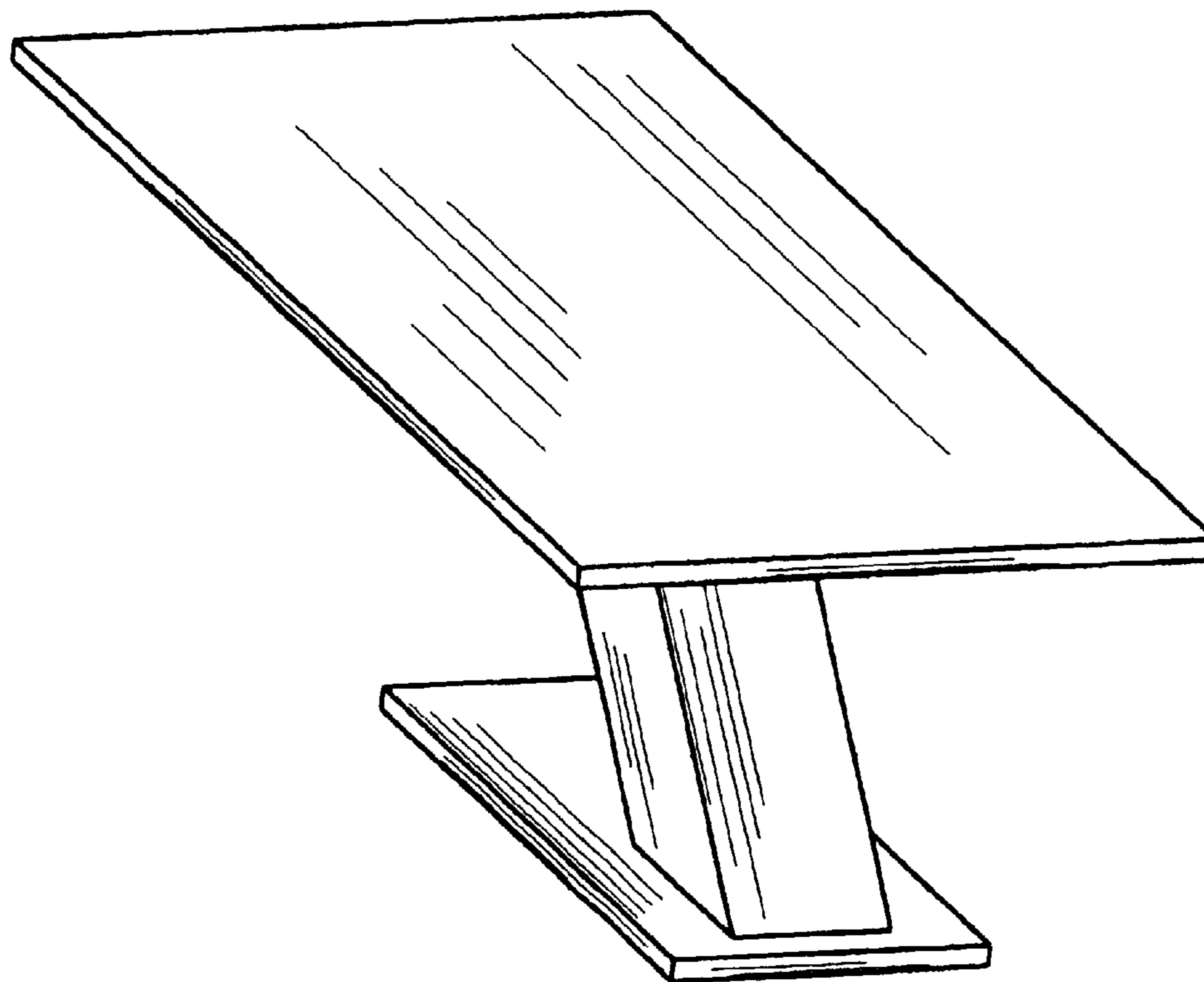
FIG. 2 is another isometric perspective view of the table positioned at a different angle.

FIG. 3 is a top plan view thereof.

FIG. 4 is a side elevation thereof; and,

FIG. 5 is a front or rear elevation thereof.

**1 Claim, 5 Drawing Sheets**



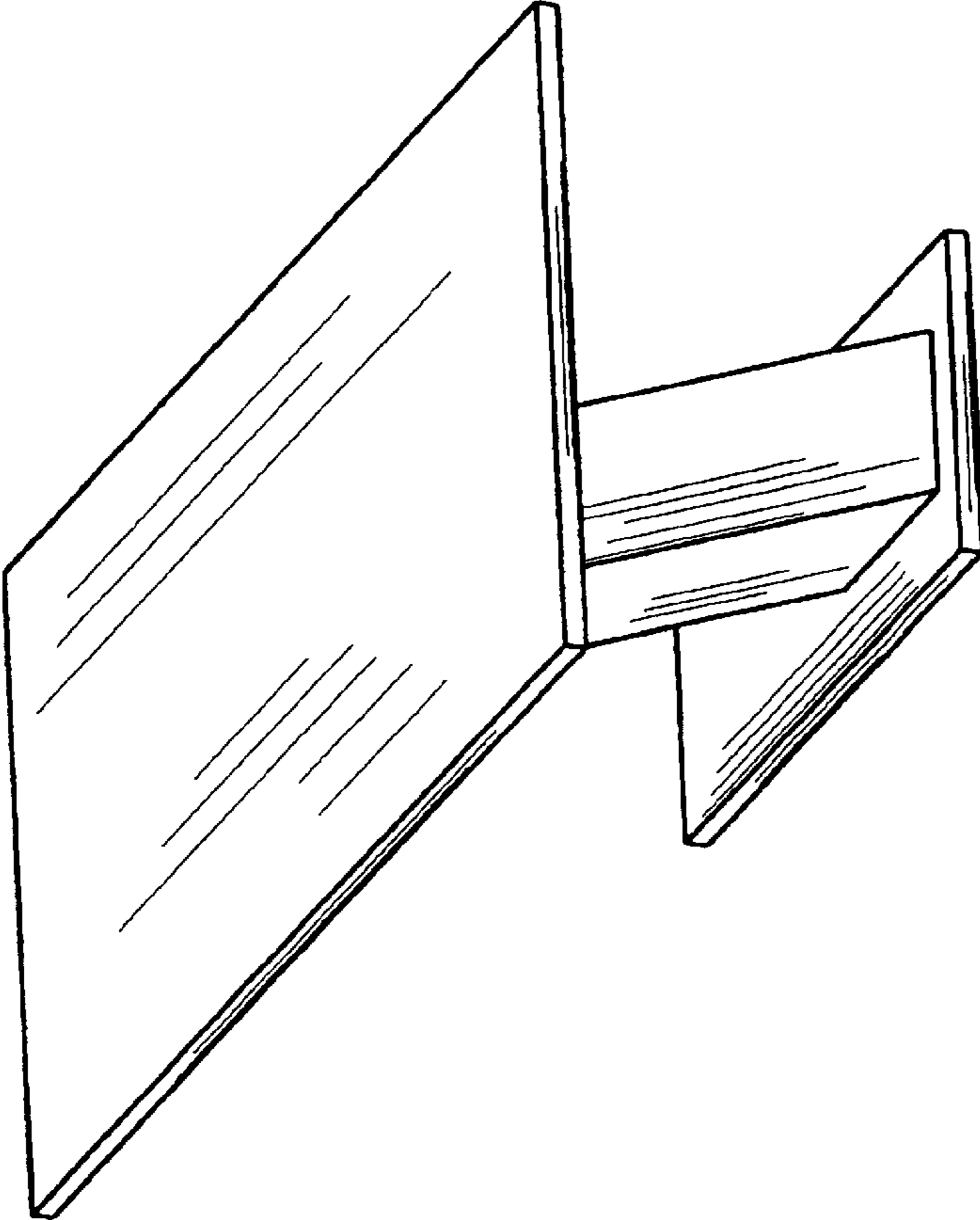


FIG. 1

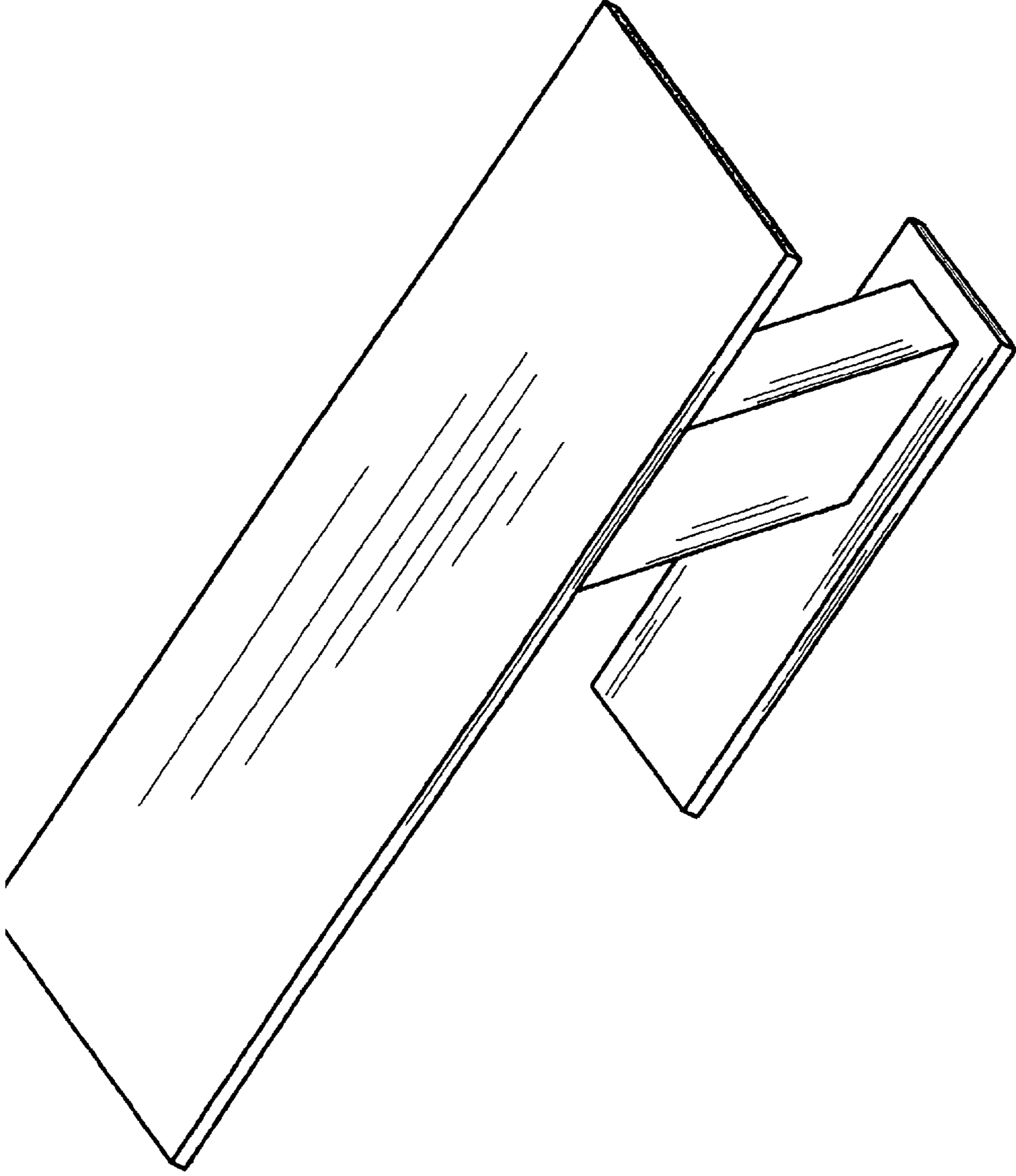


FIG. 2

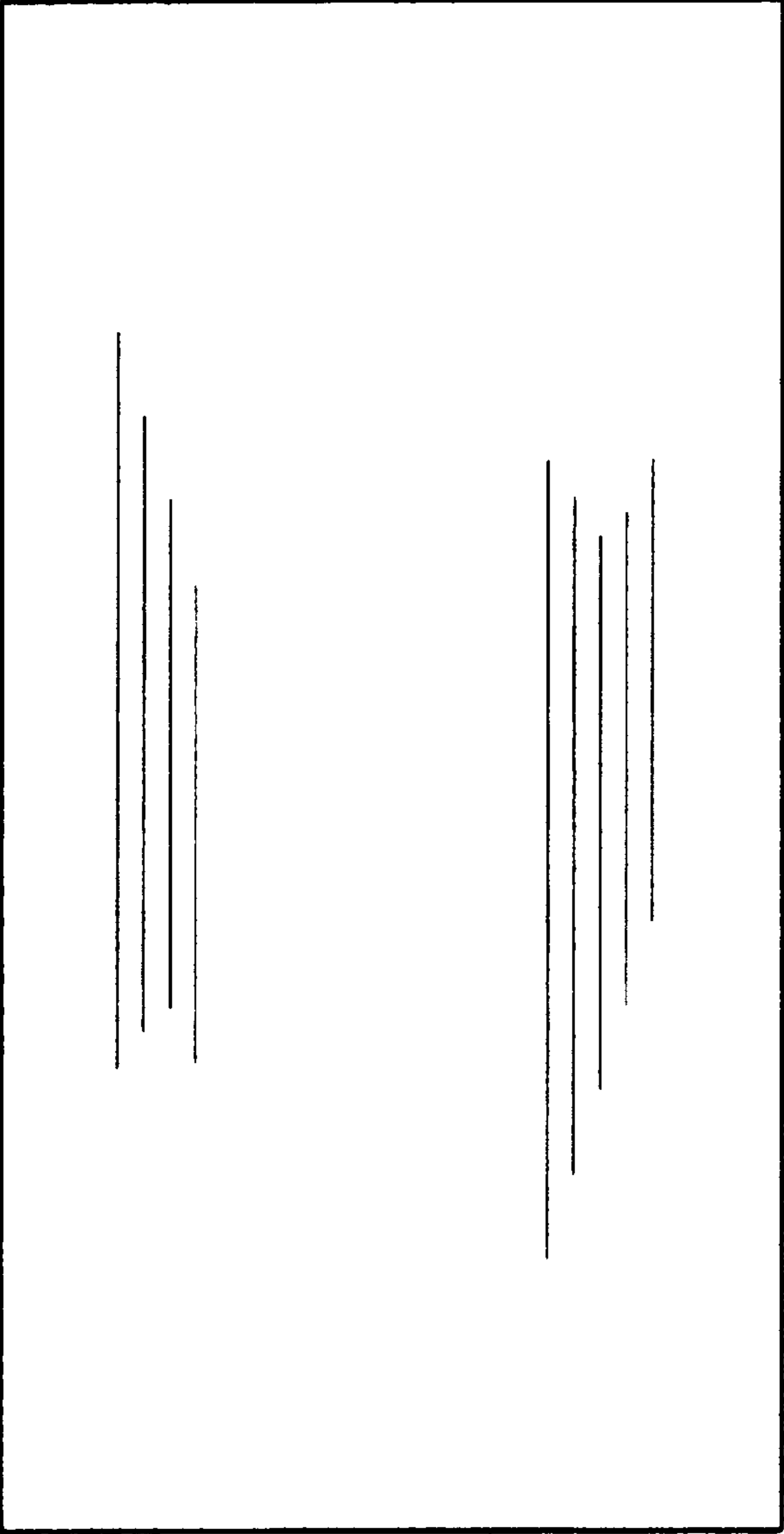


FIG. 3

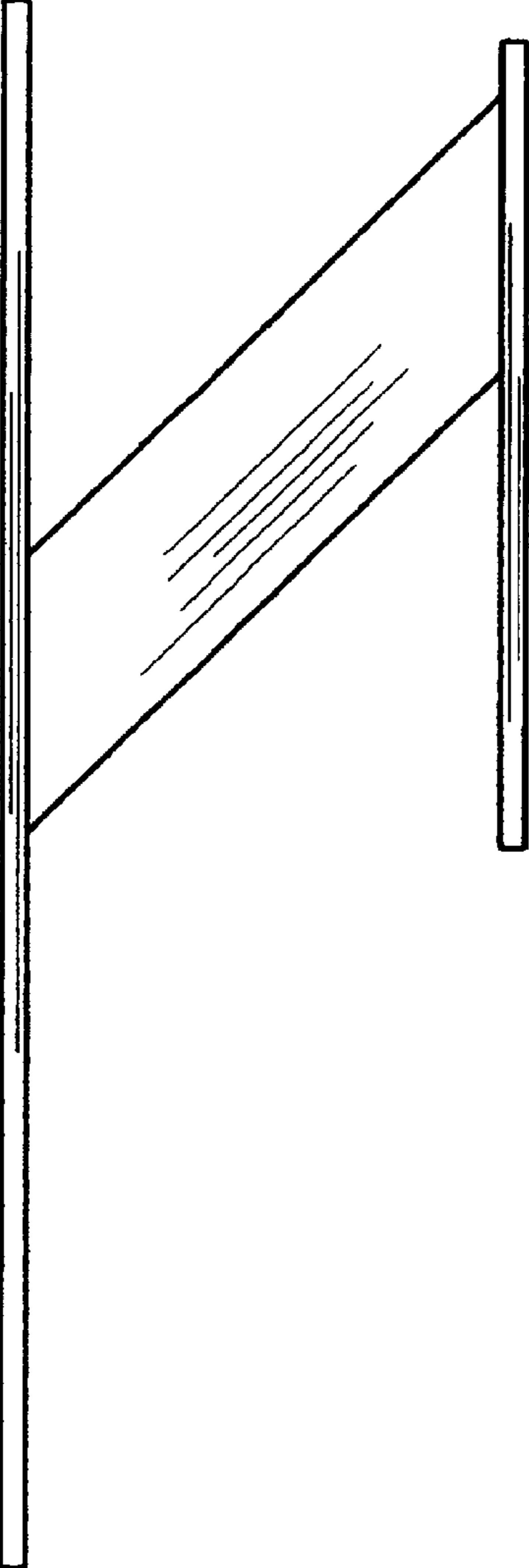


FIG. 4

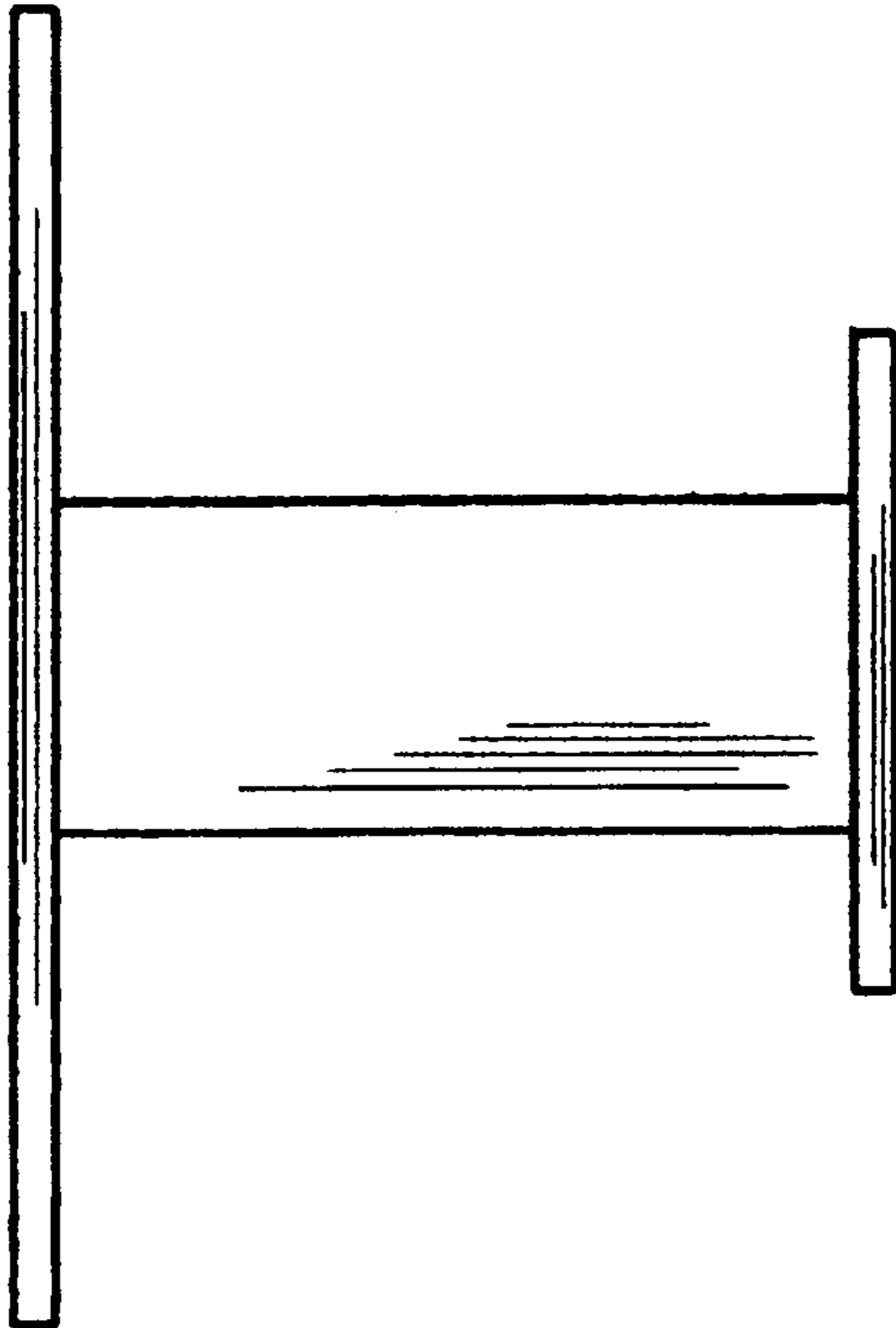


FIG. 5