



US00D511255S

(12) **United States Design Patent**  
**Chau**

(10) **Patent No.:** **US D511,255 S**

(45) **Date of Patent:** **\*\* Nov. 8, 2005**

(54) **DISPLAY DEVICE FOR DISPLAYING OBJECTS**

(76) **Inventor:** **Chuen Li Chau**, No. 346 Fanfa Road, Siushuei Hsiang, Changhua Hsien (TW), 504

(\*\*) **Term:** **14 Years**

(21) **Appl. No.:** **29/209,775**

(22) **Filed:** **Jul. 20, 2004**

(51) **LOC (8) Cl.** ..... **06-04**

(52) **U.S. Cl.** ..... **D6/472; D6/629**

(58) **Field of Search** ..... D6/470-472, 475, D6/629; 211/13.1, 85.1, 85.3, 85.4; 312/114, 118, 119, 140.1, 9.64; 206/387.14, 387.15

(56) **References Cited**

**U.S. PATENT DOCUMENTS**

3,756,383	A	*	9/1973	Kryter	.....	206/387.14
D324,144	S	*	2/1992	Watrous	.....	D6/476
D365,228	S	*	12/1995	Grandstaff	.....	D6/470
D403,550	S	*	1/1999	Smith	.....	D6/629
D419,298	S	*	1/2000	Bramsiepe et al.	.....	D3/273
D430,173	S	*	8/2000	Tombs	.....	D15/85
D436,758	S	*	1/2001	Rodrigues	.....	D6/470

D464,218 S \* 10/2002 Clarke et al. .... D6/472

\* cited by examiner

*Primary Examiner*—Cathron C. Brooks

(74) *Attorney, Agent, or Firm*—Charles E. Baxley

(57) **CLAIM**

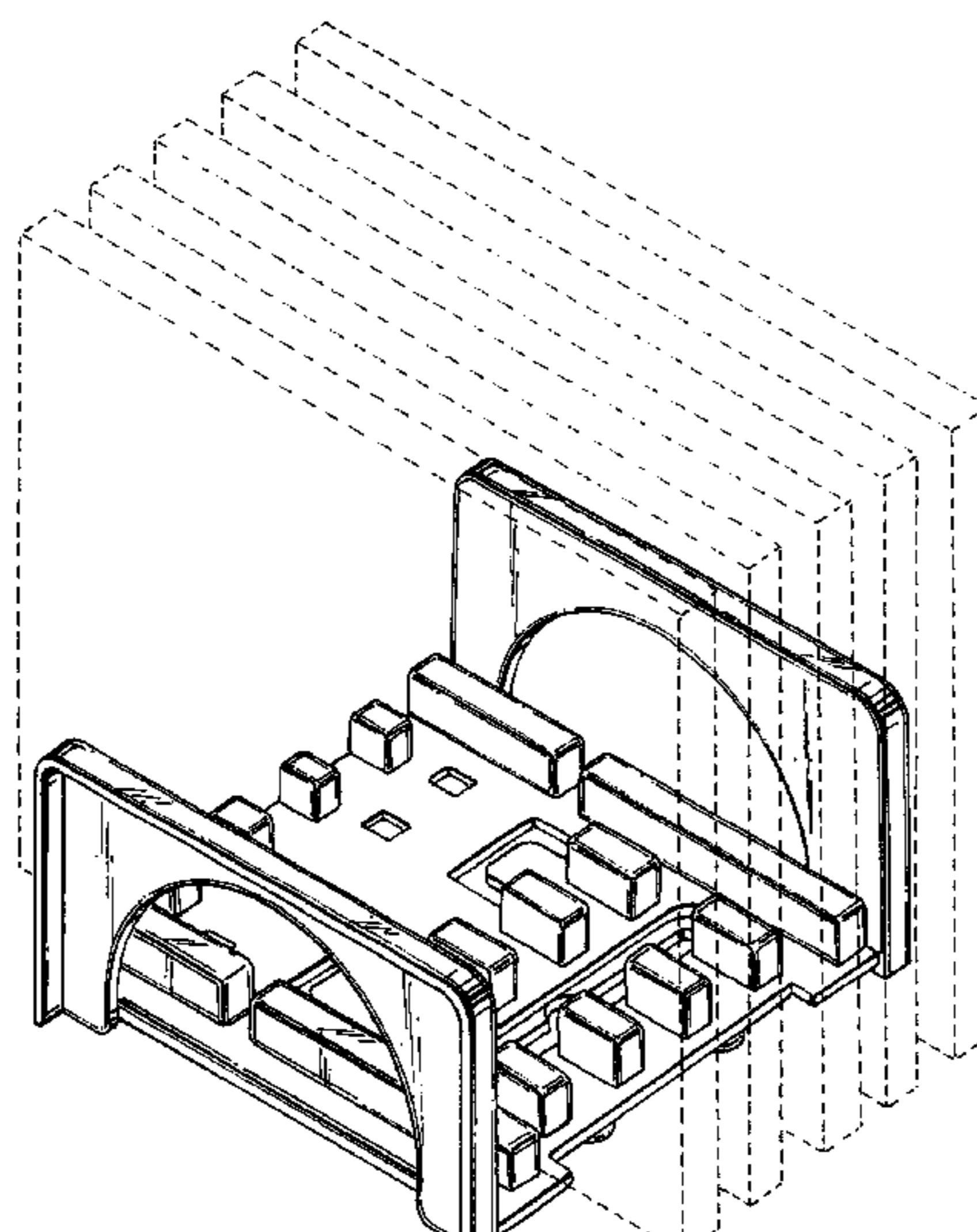
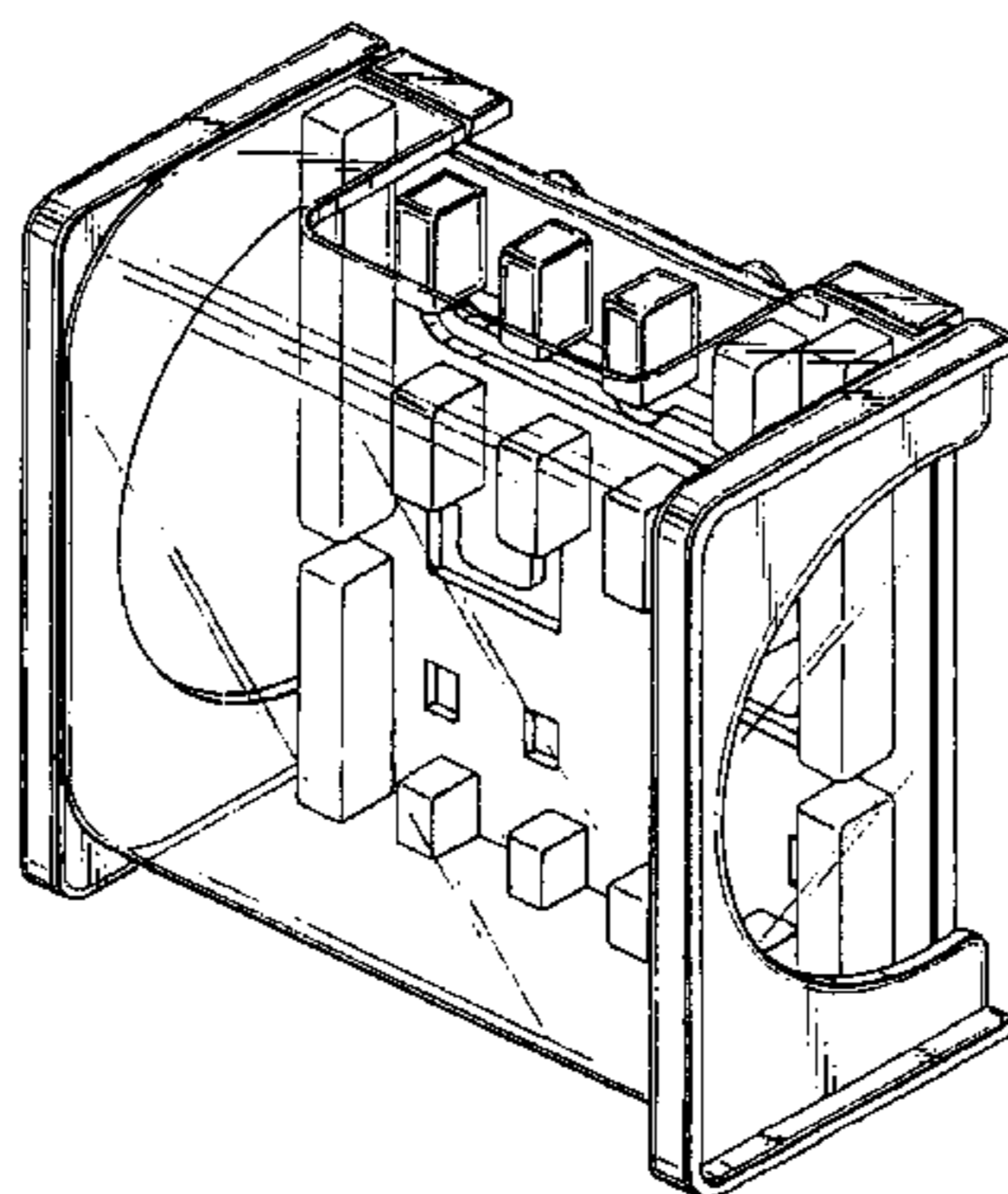
The ornamental design for a display device for displaying objects, as shown and described.

**DESCRIPTION**

FIG. 1 is a perspective view of a display device for displaying objects showing my new design; FIG. 2 is a front elevational view thereof; FIG. 3 is a rear elevational view thereof; FIG. 4 is a top plan view thereof; FIG. 5 is a bottom plan view thereof; FIG. 6 is a left side elevational view thereof; FIG. 7 is a right side elevational view thereof; and, FIGS. 8, 9, 10 are perspective views thereof, the displayed objects depicted by means of broken lines being for illustrative purposes only and forming no part of the claimed design.

FIG. 10 shows the transparent cover removed for convenience of illustration.

**1 Claim, 4 Drawing Sheets**



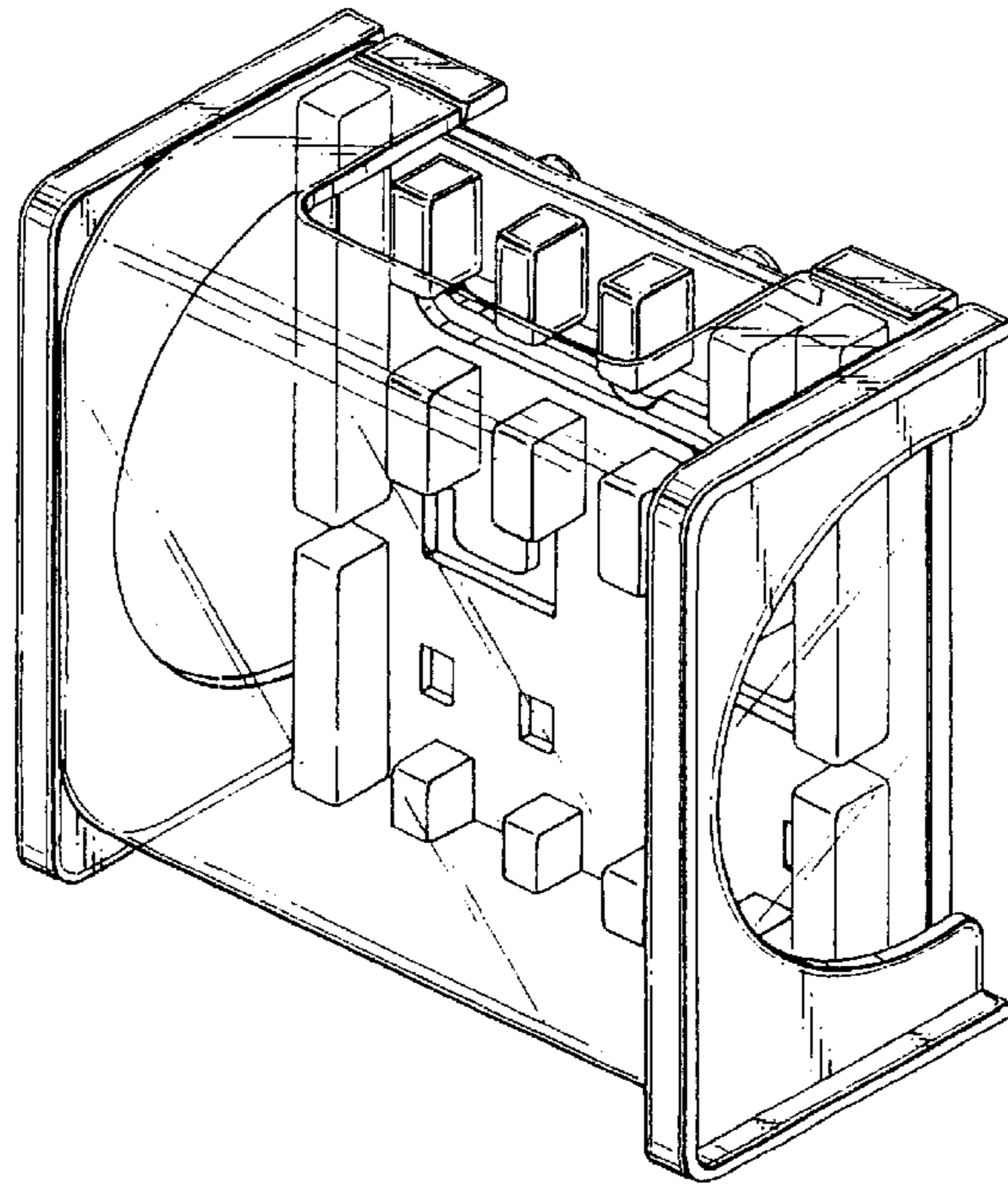


FIG. 1

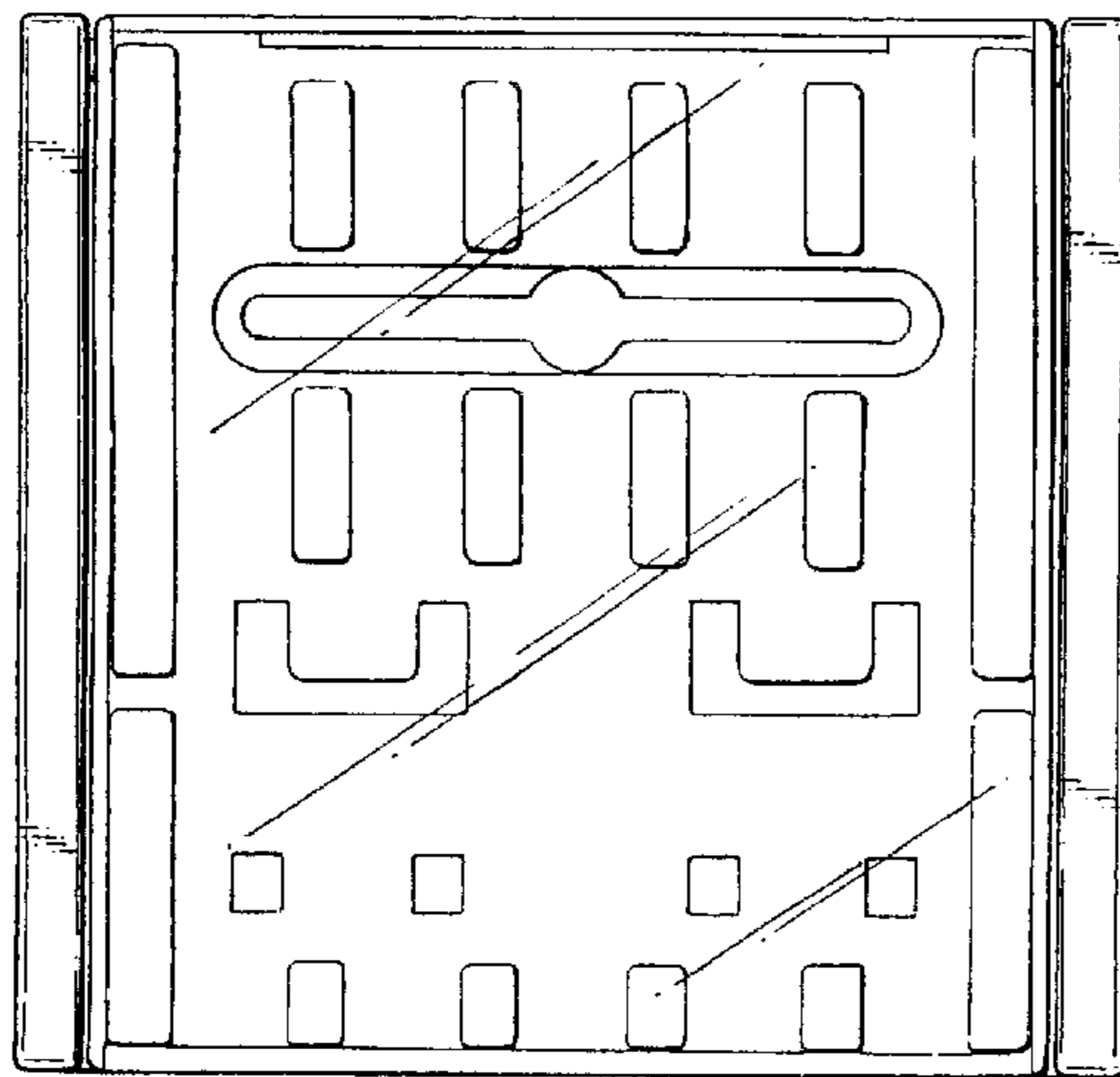


FIG. 2

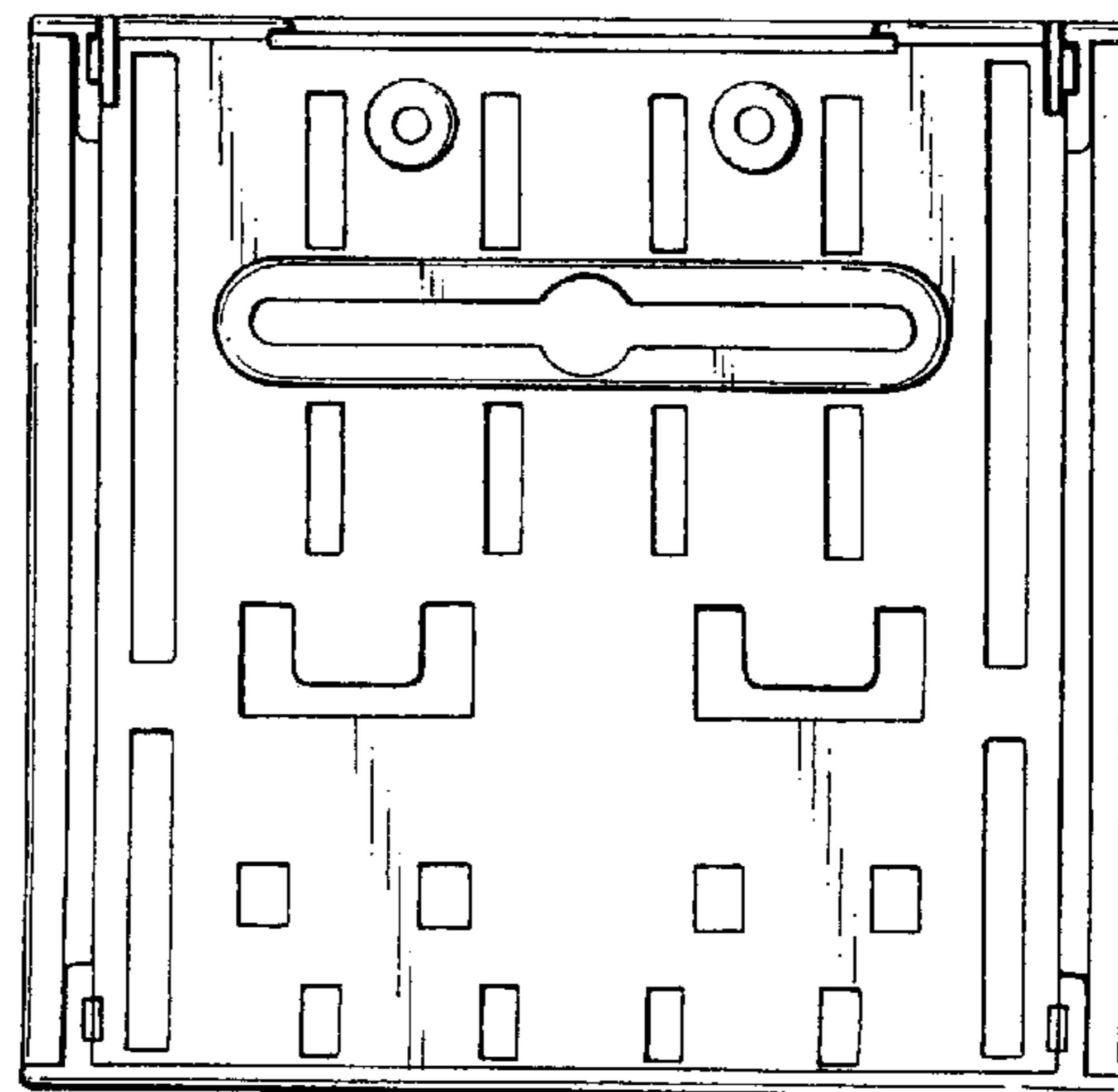


FIG. 3

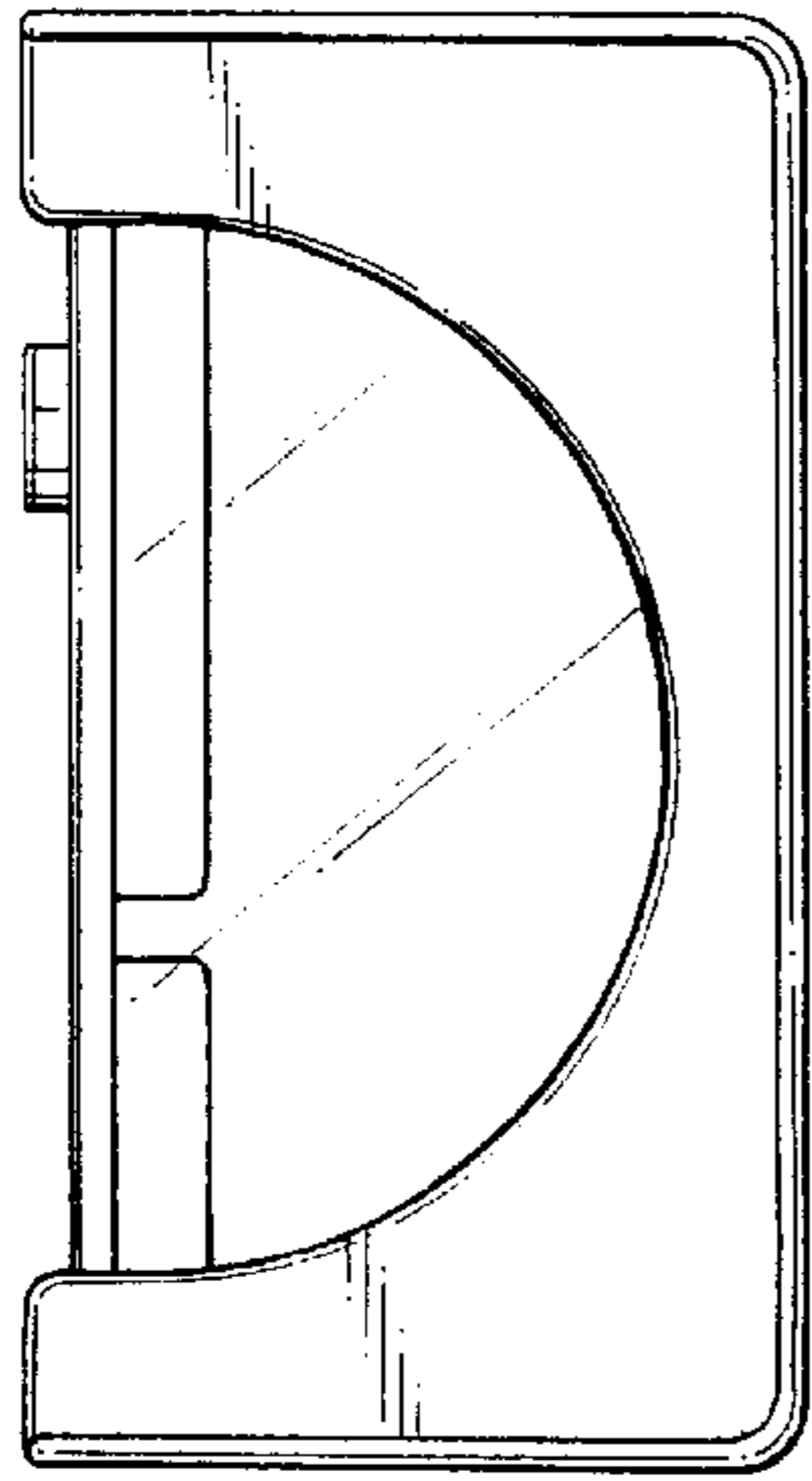


FIG. 6

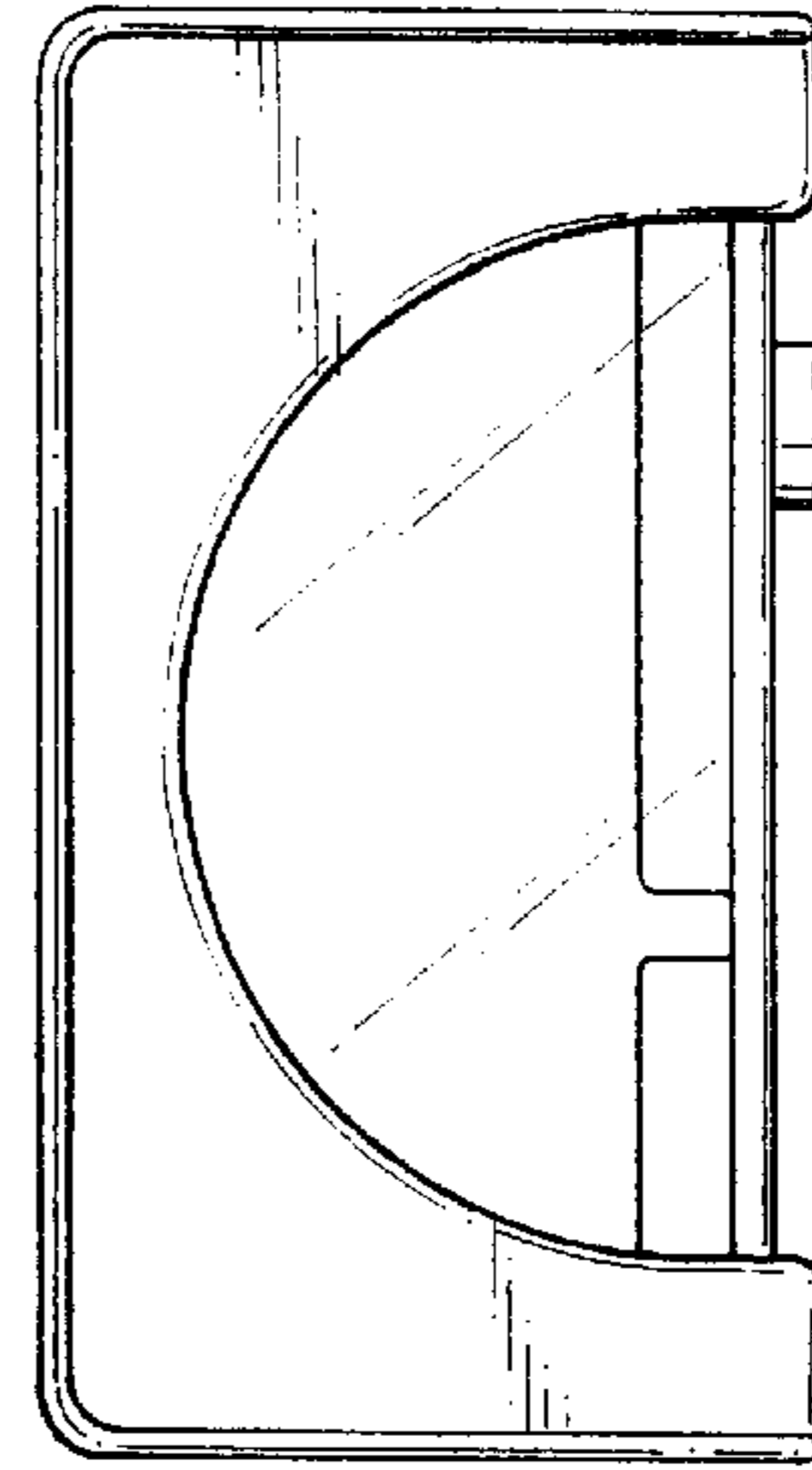


FIG. 7

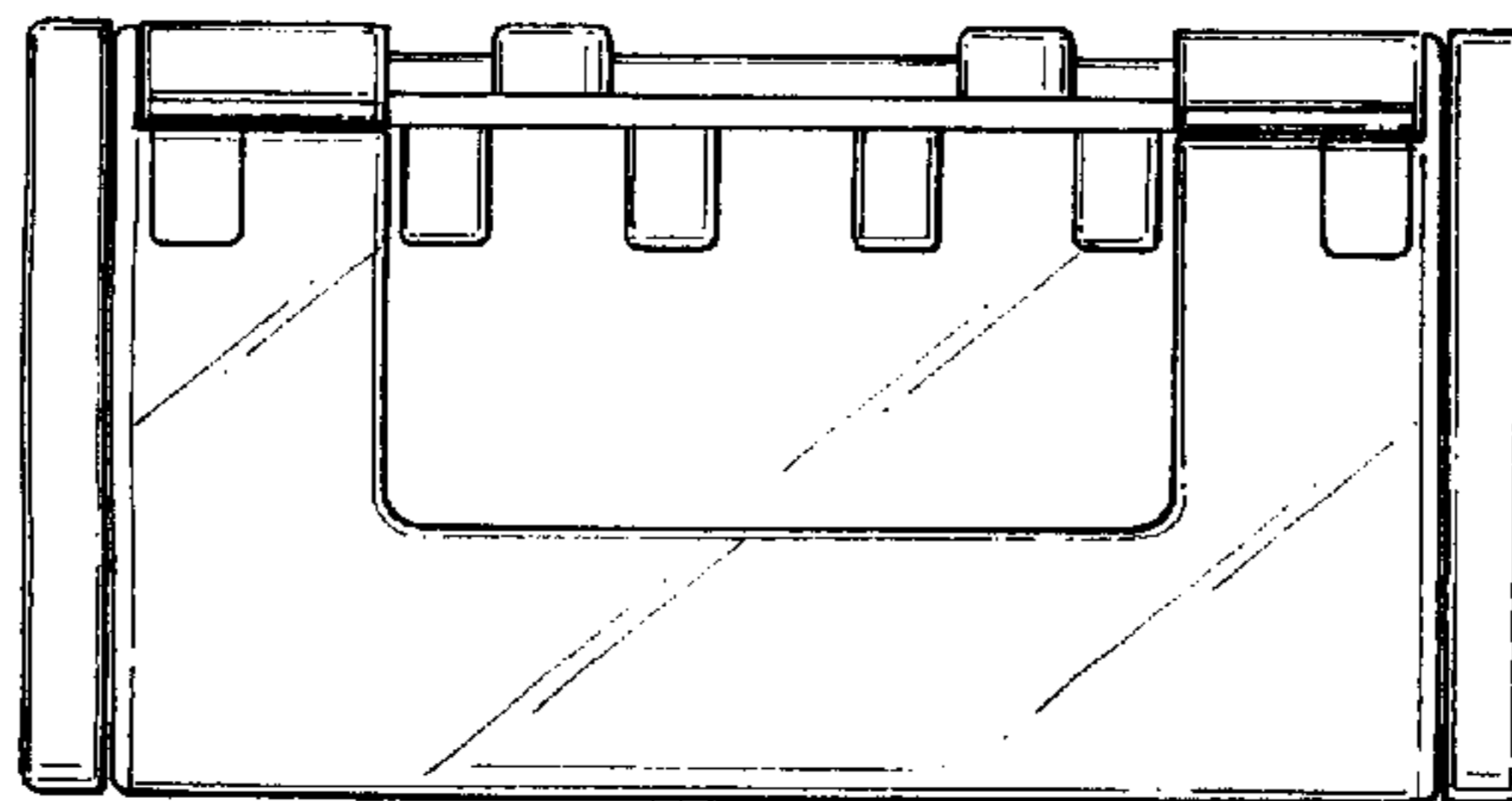


FIG. 4

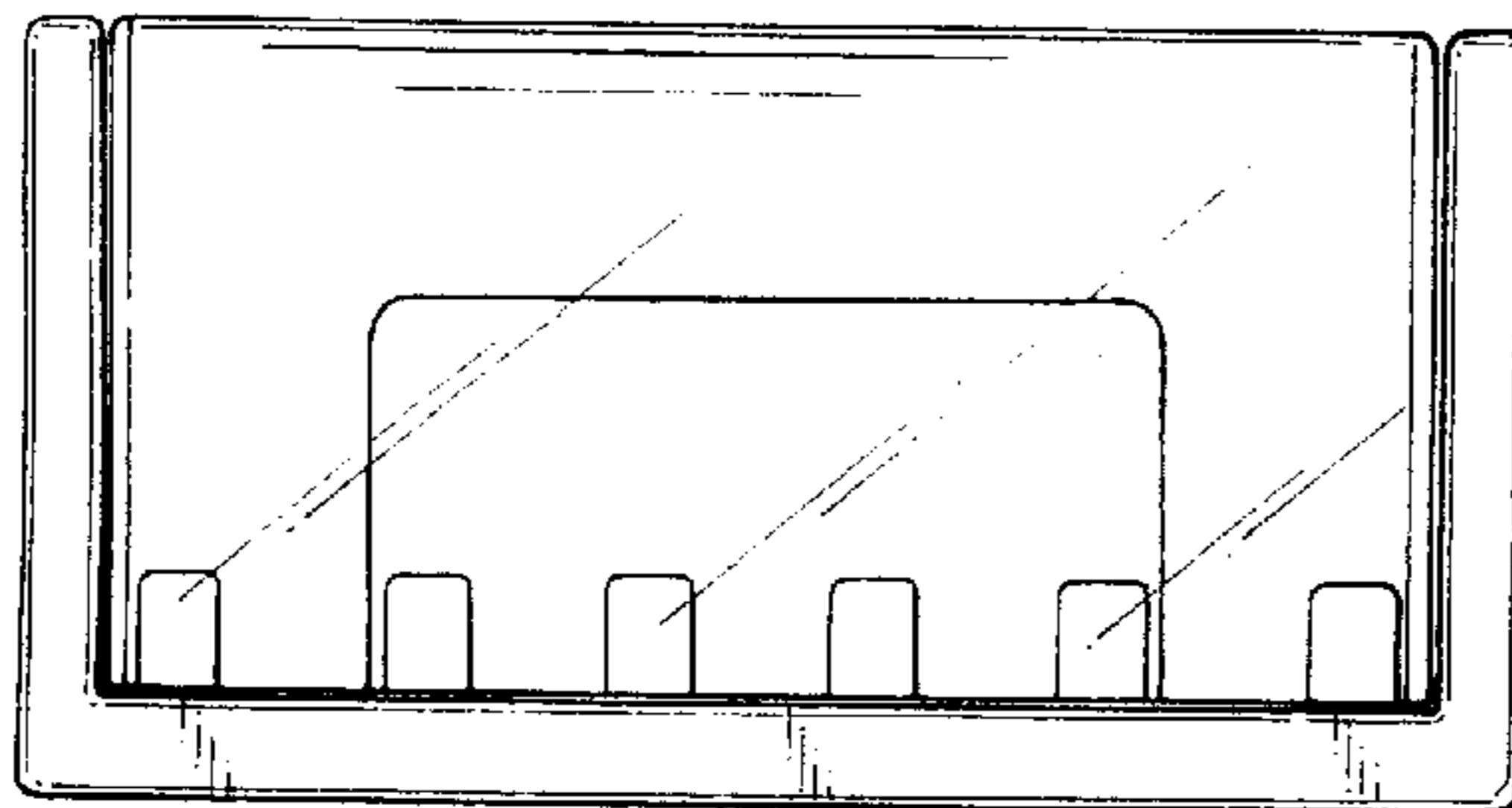
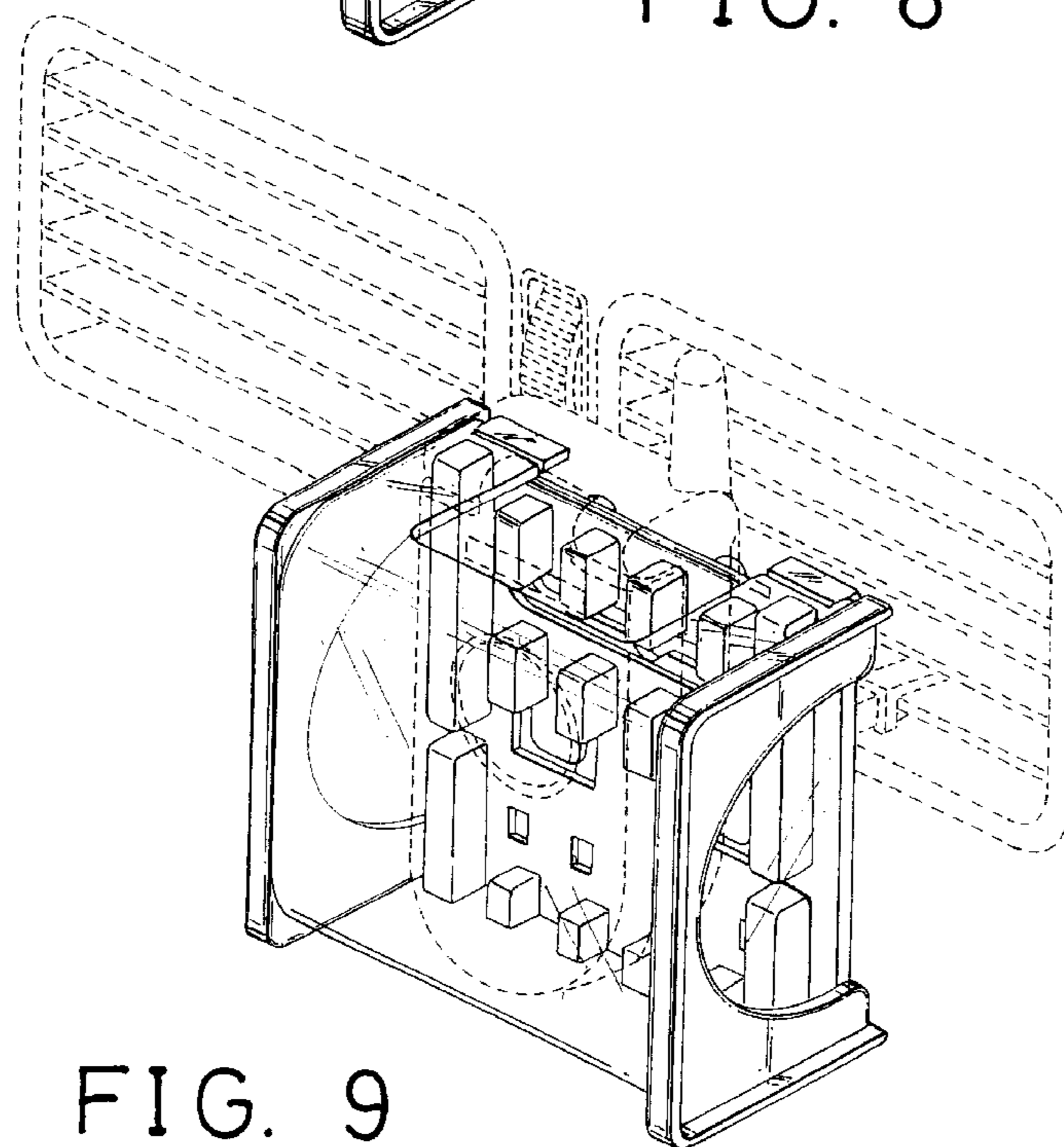
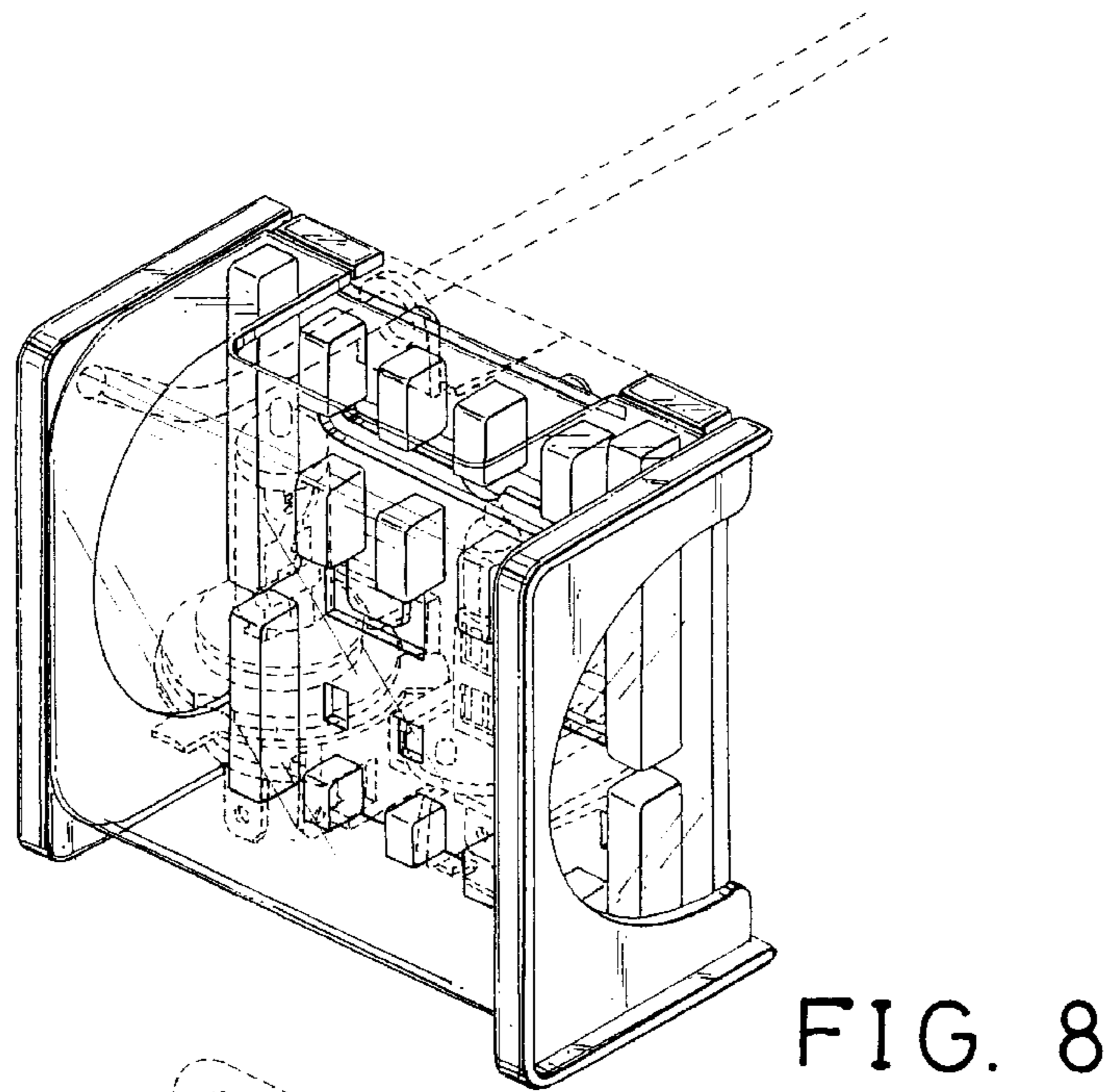


FIG. 5



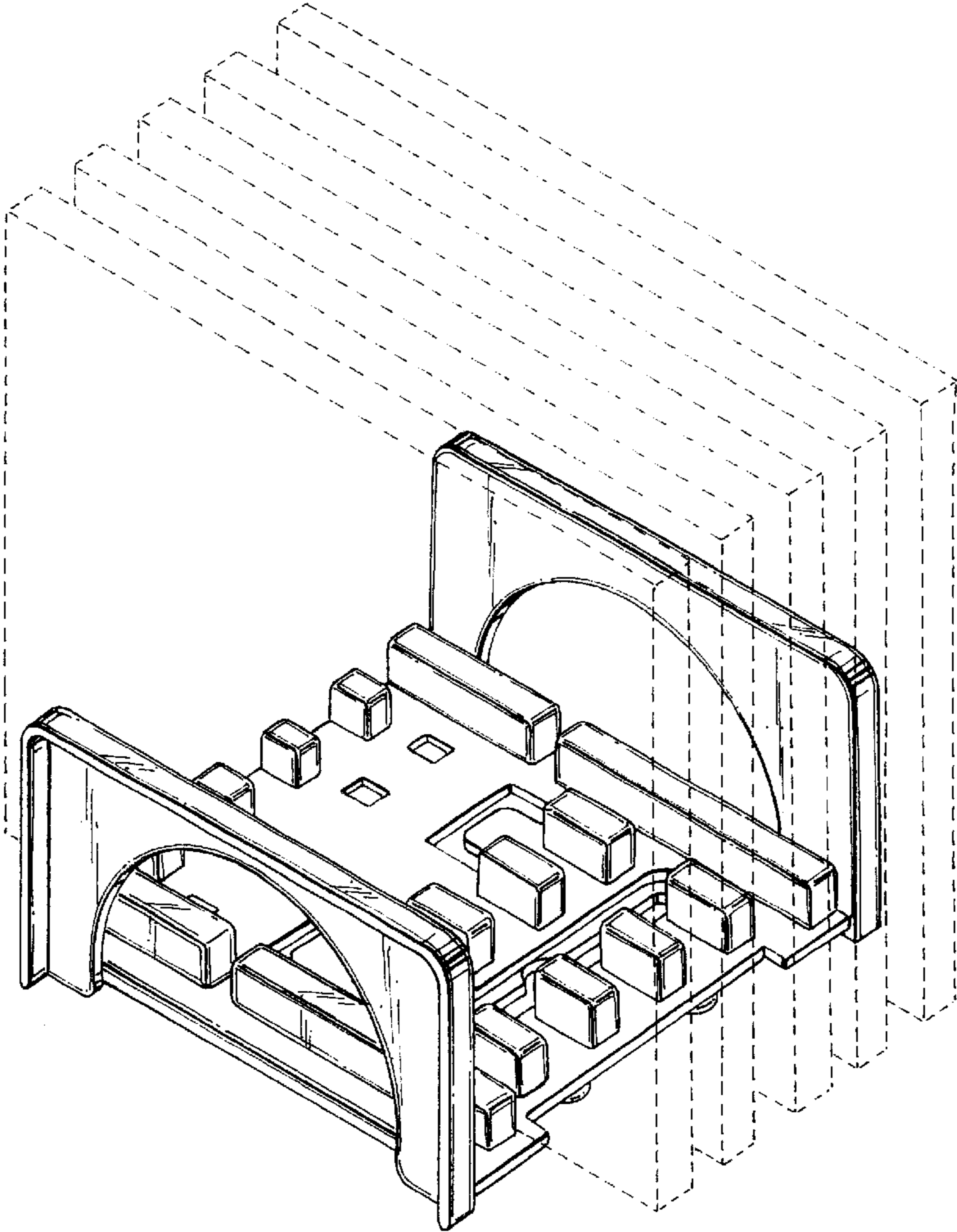


FIG. 10