



US00D511253S

(12) **United States Design Patent** (10) **Patent No.:** **US D511,253 S**  
**Preisig** (45) **Date of Patent:** **\*\* Nov. 8, 2005**

(54) **CHAIR**

(75) **Inventor:** **Stephan A. Preisig, Zürich (CH)**

(73) **Assignee:** **Stoll Giroflex AG, Kohlenz (CH)**

(\*\*) **Term:** **14 Years**

(21) **Appl. No.:** **29/216,883**

(22) **Filed:** **Nov. 10, 2004**

(30) **Foreign Application Priority Data**

May 12, 2004 (WO) ..... DM/065 721

(51) **LOC (8) Cl.** ..... **06-01**

(52) **U.S. Cl.** ..... **D6/372; D6/374; D6/379;**  
**D6/380**

(58) **Field of Search** ..... **D6/334, 372, 373,**  
**D6/374, 376, 379, 380, 500-502; 297/411.42,**  
**445.1, 451.3, 446.1, 446.2, 452.19, 451.7**

(56) **References Cited**

**U.S. PATENT DOCUMENTS**

D149,652 S	*	5/1948	Kipp	.....	D6/372
D150,684 S	*	8/1948	Eames	.....	D6/374
D150,759 S	*	8/1948	Dinges	.....	D6/372
D155,274 S	*	9/1949	Eames	.....	D6/374
D338,785 S	*	8/1993	Lange	.....	D6/379
D350,653 S	*	9/1994	Citterio	.....	D6/372
D355,081 S	*	2/1995	Scheper	.....	D6/380
D395,764 S	*	7/1998	Dozsa-Farkas	.....	D6/372
D395,765 S	*	7/1998	Preisig	.....	D6/372

D406,951 S	*	3/1999	Herrmann	.....	D6/379
D474,348 S	*	5/2003	Bosman et al.	.....	D6/372
2003/0209925 A1	*	11/2003	Bosman et al.	.....	297/452.19
2003/0227210 A1	*	12/2003	Bosman et al.	.....	297/446.1
2004/0104613 A1	*	6/2004	Bosman et al.	.....	297/446.2

**OTHER PUBLICATIONS**

U.S. Appl. No. 29/216,882 (D26034) filed on Nov. 10, 2004 in the name of Stephan A. Preisig.  
U.S. Appl. No. 29/216,881 (D26036) filed on Nov. 10, 2004 in the name of Stephan A. Preisig.

\* cited by examiner

*Primary Examiner*—Mimosa De

(74) *Attorney, Agent, or Firm*—Greenblum & Bernstein, P.L.C.

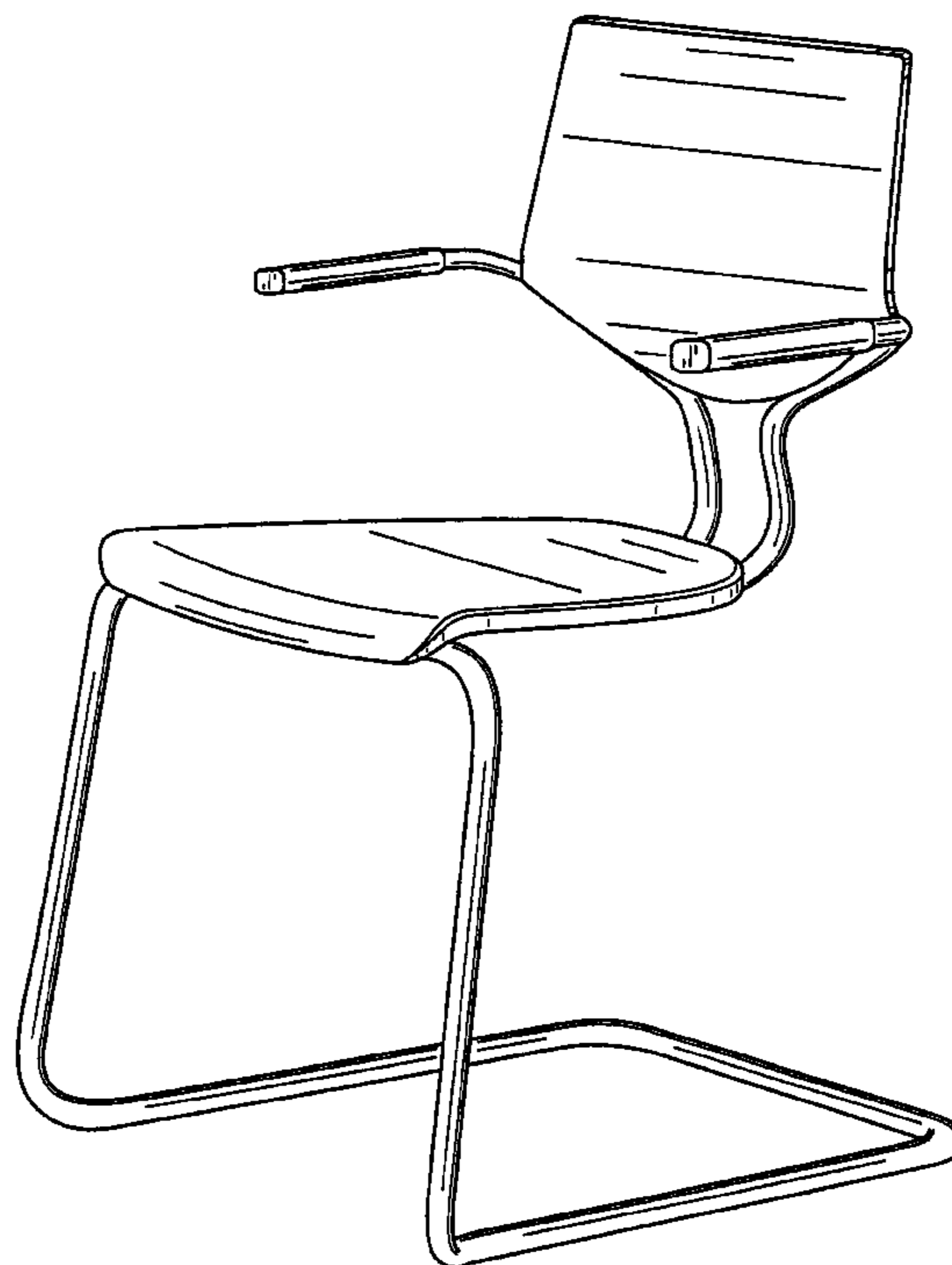
(57) **CLAIM**

I claim the ornamental design for a chair, as shown and described.

**DESCRIPTION**

FIG. 1 is a perspective view of the chair;  
FIG. 2 is a front side view of the design shown in FIG. 1;  
FIG. 3 is a back side view of the design shown in FIG. 1;  
FIG. 4 is a right side view of the design shown in FIG. 1;  
FIG. 5 is a left side view of the design shown in FIG. 1;  
FIG. 6 is a top view of the design shown in FIG. 1; and,  
FIG. 7 is a bottom view of the design shown in FIG. 1.

**1 Claim, 7 Drawing Sheets**



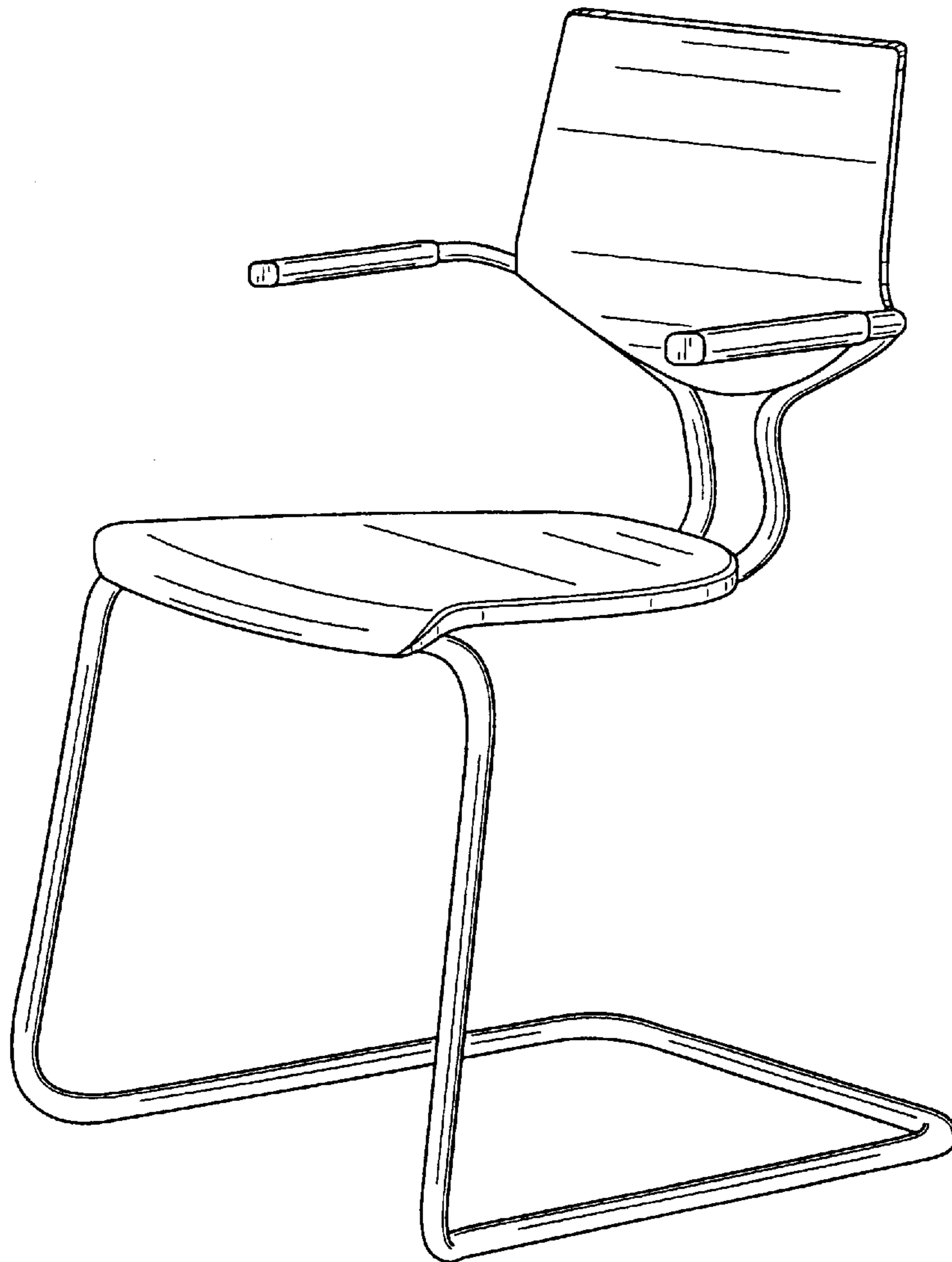


FIG. 1

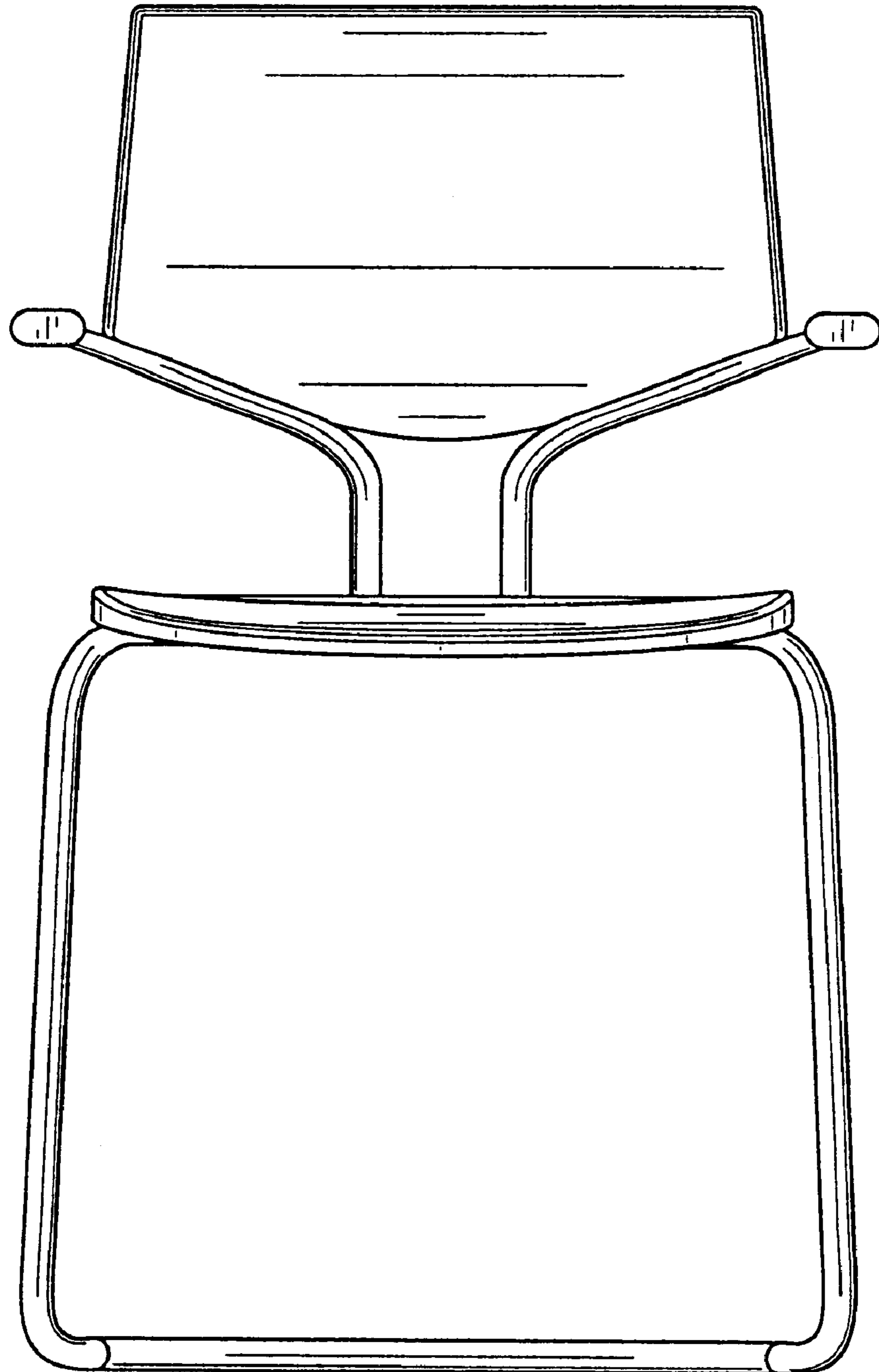


FIG. 2

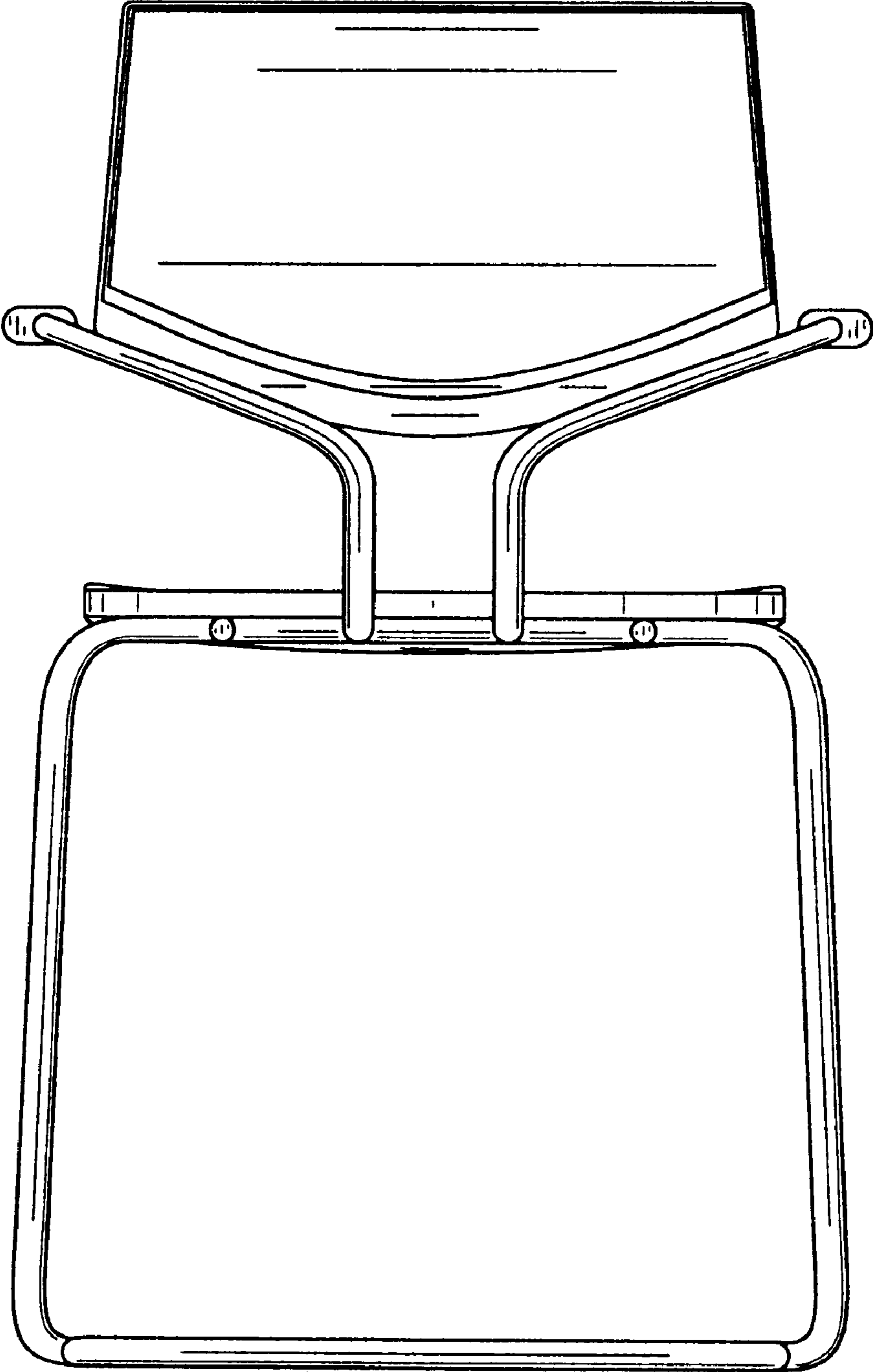


FIG. 3

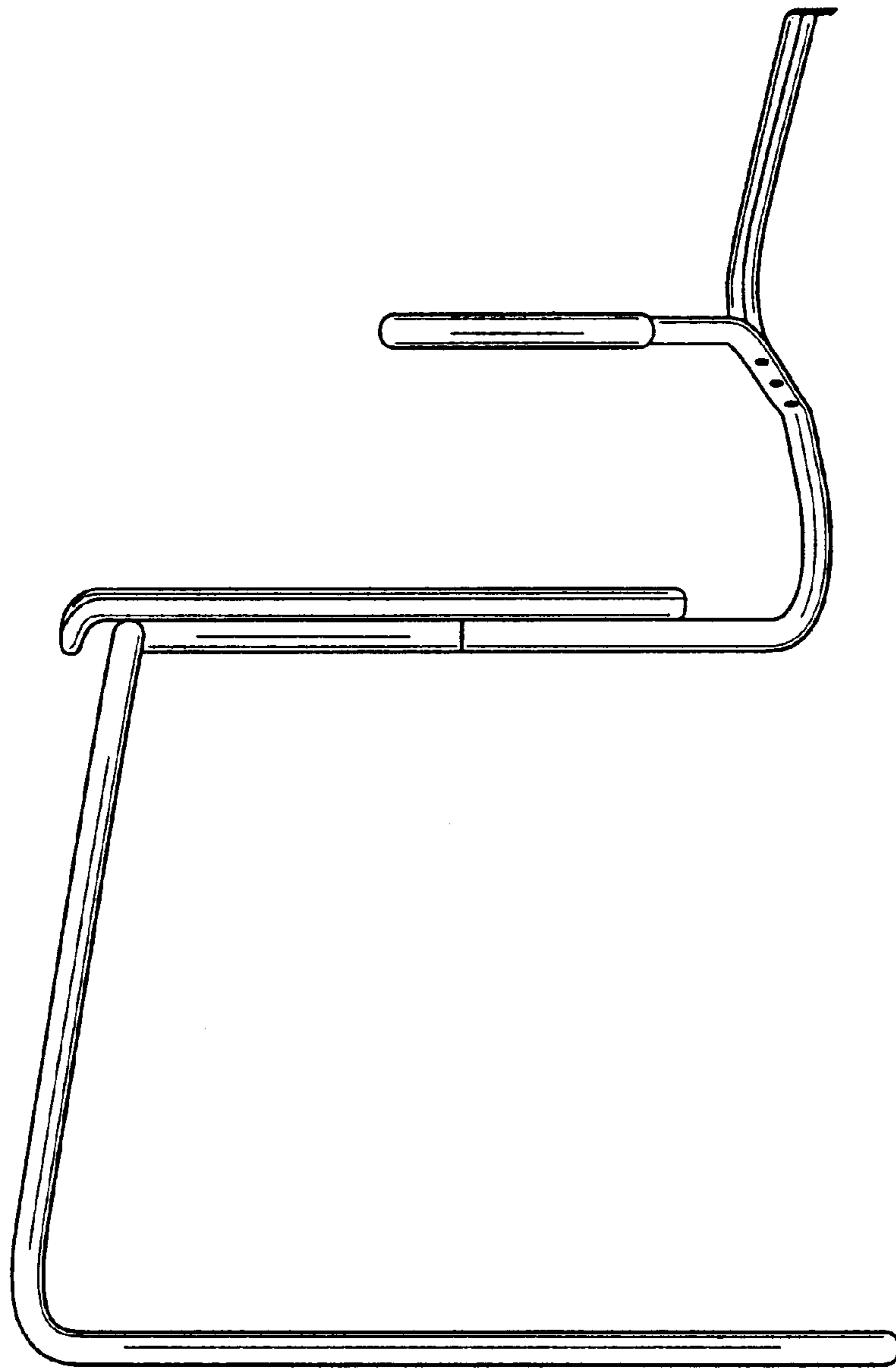


FIG. 4

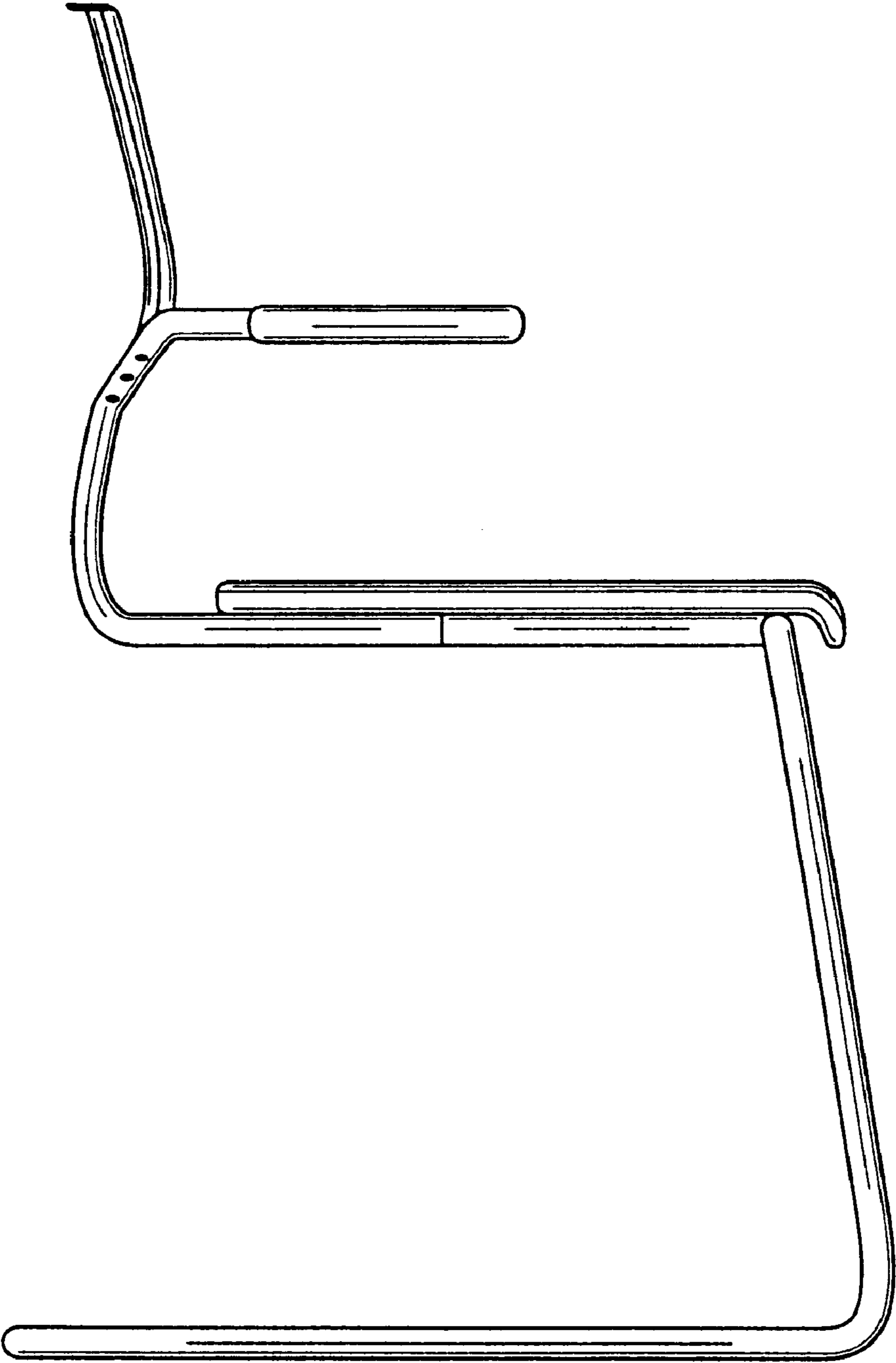


FIG. 5

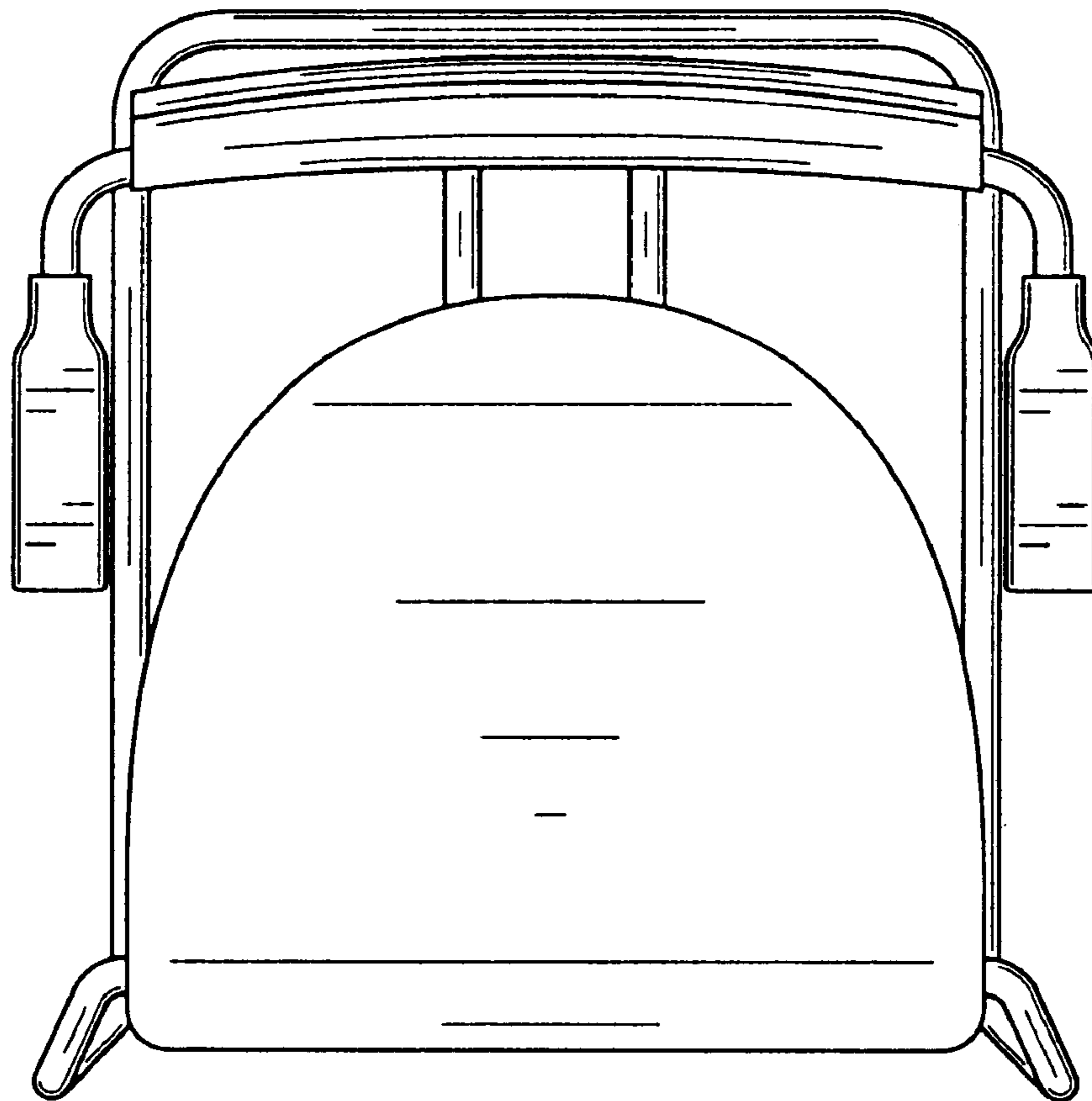


FIG. 6

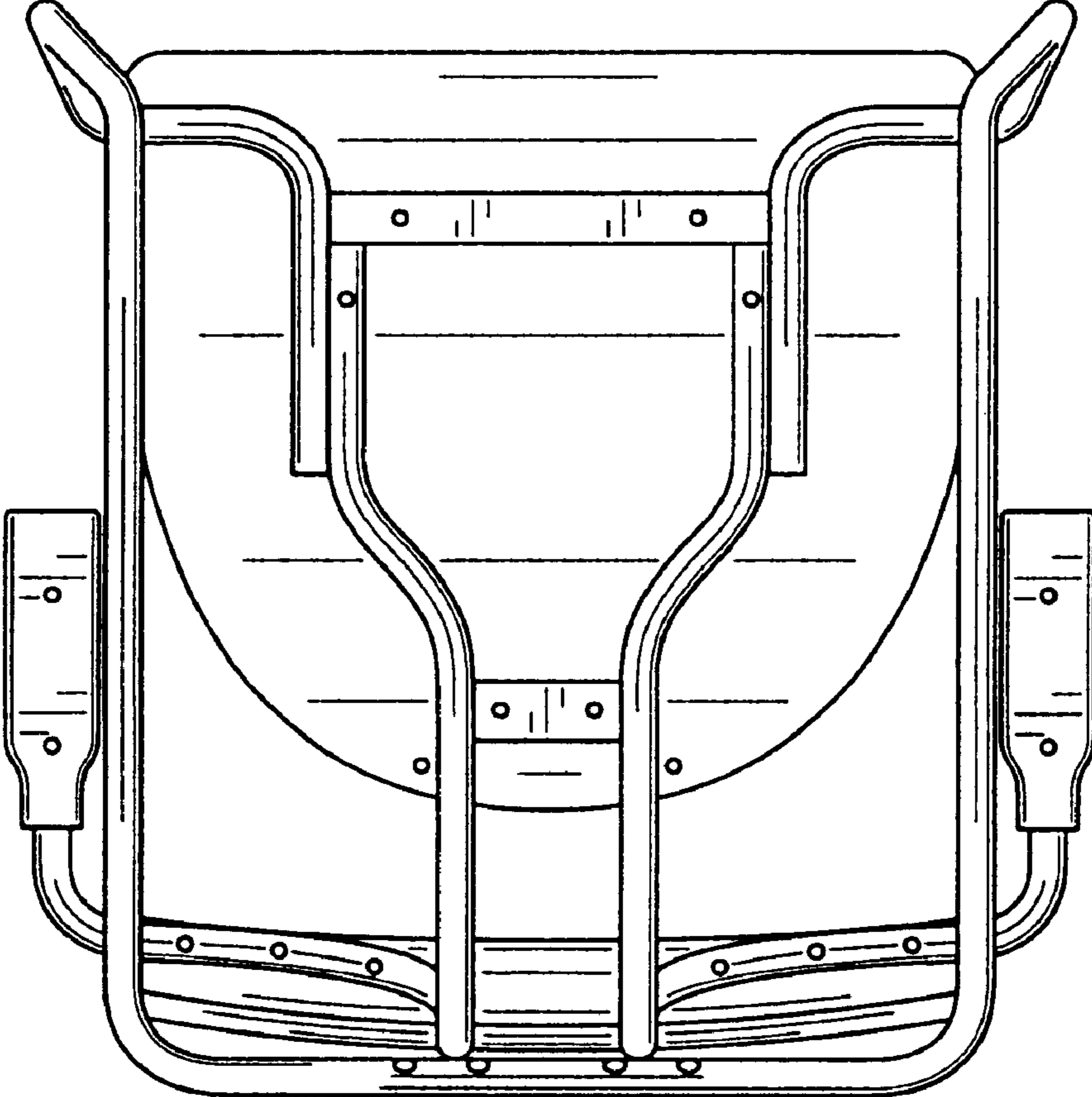


FIG. 7