



US00D511247S

(12) **United States Design Patent**  
**Tsuchiya**

(10) **Patent No.:** **US D511,247 S**  
(45) **Date of Patent:** **\*\* Nov. 8, 2005**

(54) **CONTAINER**

(75) **Inventor:** **Masatsugu Tsuchiya, Miyagi-Ken (JP)**

(73) **Assignee:** **Iris Ohyama Inc., Miyagi-Ken (JP)**

(\*\*) **Term:** **14 Years**

(21) **Appl. No.:** **29/187,691**

(22) **Filed:** **Aug. 6, 2003**

(30) **Foreign Application Priority Data**

Feb. 7, 2003 (JP) ..... 2003-002761

(51) **LOC (8) Cl.** ..... **03-01**

(52) **U.S. Cl.** ..... **D3/273; D3/302**

(58) **Field of Search** ..... D3/272, 273, 294,  
D3/295, 302; D9/420, 423, 424; D7/629;  
220/557, 835, 833, 834; 206/508, 515

(56) **References Cited**

**U.S. PATENT DOCUMENTS**

4,787,527	A	*	11/1988	Monetti	.....	220/557
5,065,887	A	*	11/1991	Schuh et al.	.....	220/835
D348,394	S	*	7/1994	Dreyer	.....	D9/425
D351,090	S	*	10/1994	Narsutis	.....	D7/629
D421,901	S	*	3/2000	Hill	.....	D9/423
D427,769	S	*	7/2000	Zimmerman	.....	D3/302
D440,470	S	*	4/2001	Tucker et al.	.....	D7/629
D443,184	S	*	6/2001	Maxwell et al.	.....	D7/629
D443,798	S	*	6/2001	Tucker et al.	.....	D7/629
D462,880	S	*	9/2002	Maxwell et al.	.....	D7/629
D480,872	S	*	10/2003	Welsh et al.	.....	D3/302
D483,945	S	*	12/2003	Tanji	.....	D3/302
D484,367	S	*	12/2003	Kim	.....	D7/629

**OTHER PUBLICATIONS**

International Housewares Show 2003; Jan. 12–14, 2003.

\* cited by examiner

*Primary Examiner*—Philip S. Hyder

(74) *Attorney, Agent, or Firm*—Sughrue Mion, PLLC

(57) **CLAIM**

The ornamental design for a container, as shown and described.

**DESCRIPTION**

FIG. 1 is a front view of the container, wherein the rear view is identical;

FIG. 2 is a right side view of the container, wherein the left side view is identical;

FIG. 3 is a plan view of the container;

FIG. 4 is a bottom view of the container;

FIG. 5 is a cross-section view taken along line 5—5 of FIG. 3;

FIG. 6 is a cross-section view taken along line 6—6 of FIG. 3;

FIG. 7 is a cross-section view taken along line 7—7 of FIG. 5;

FIG. 8 is a cross-section view taken along line 8—8 of FIG. 5;

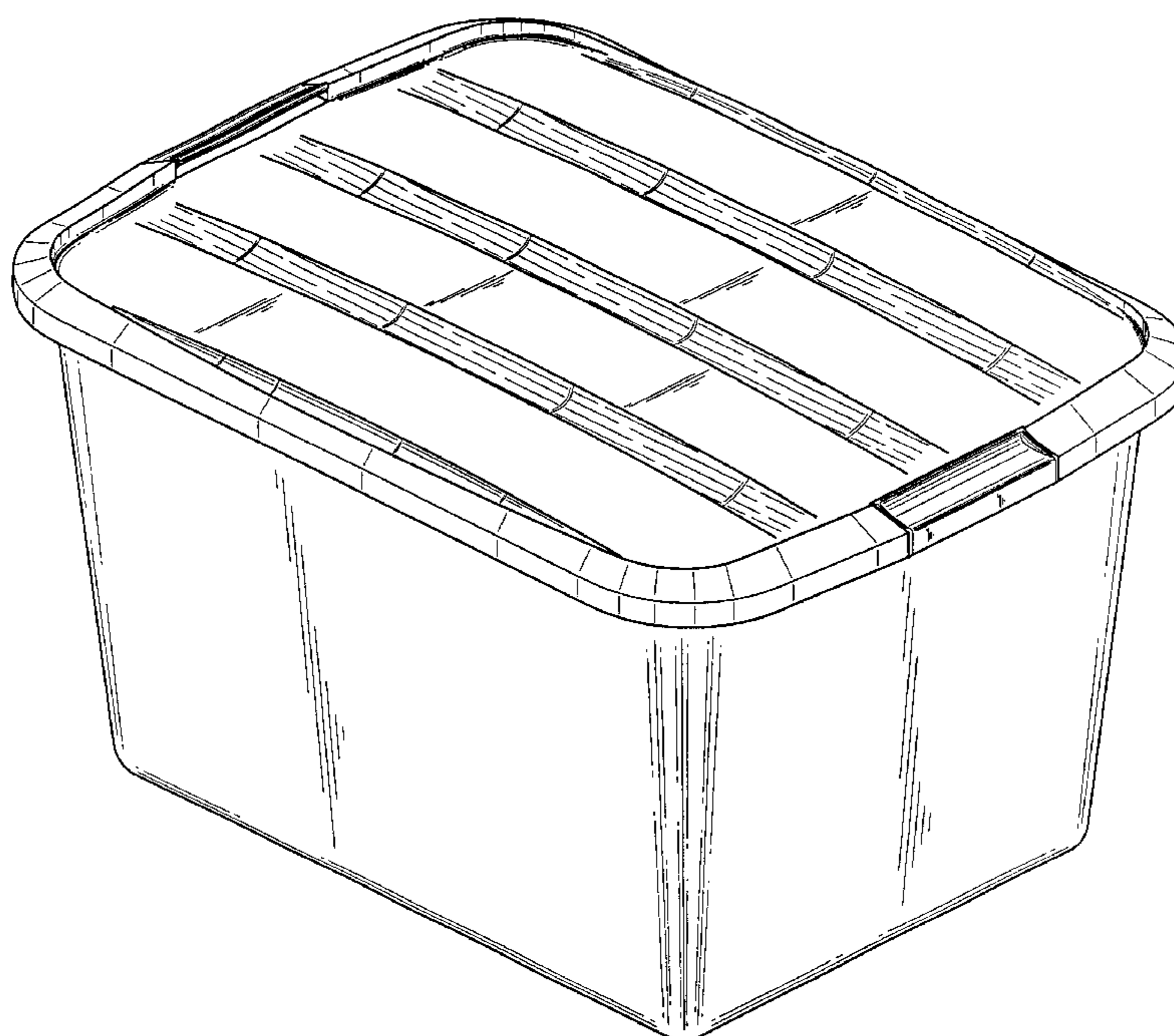
FIG. 9 is a cross-section view taken along line 9—9 of FIG. 6;

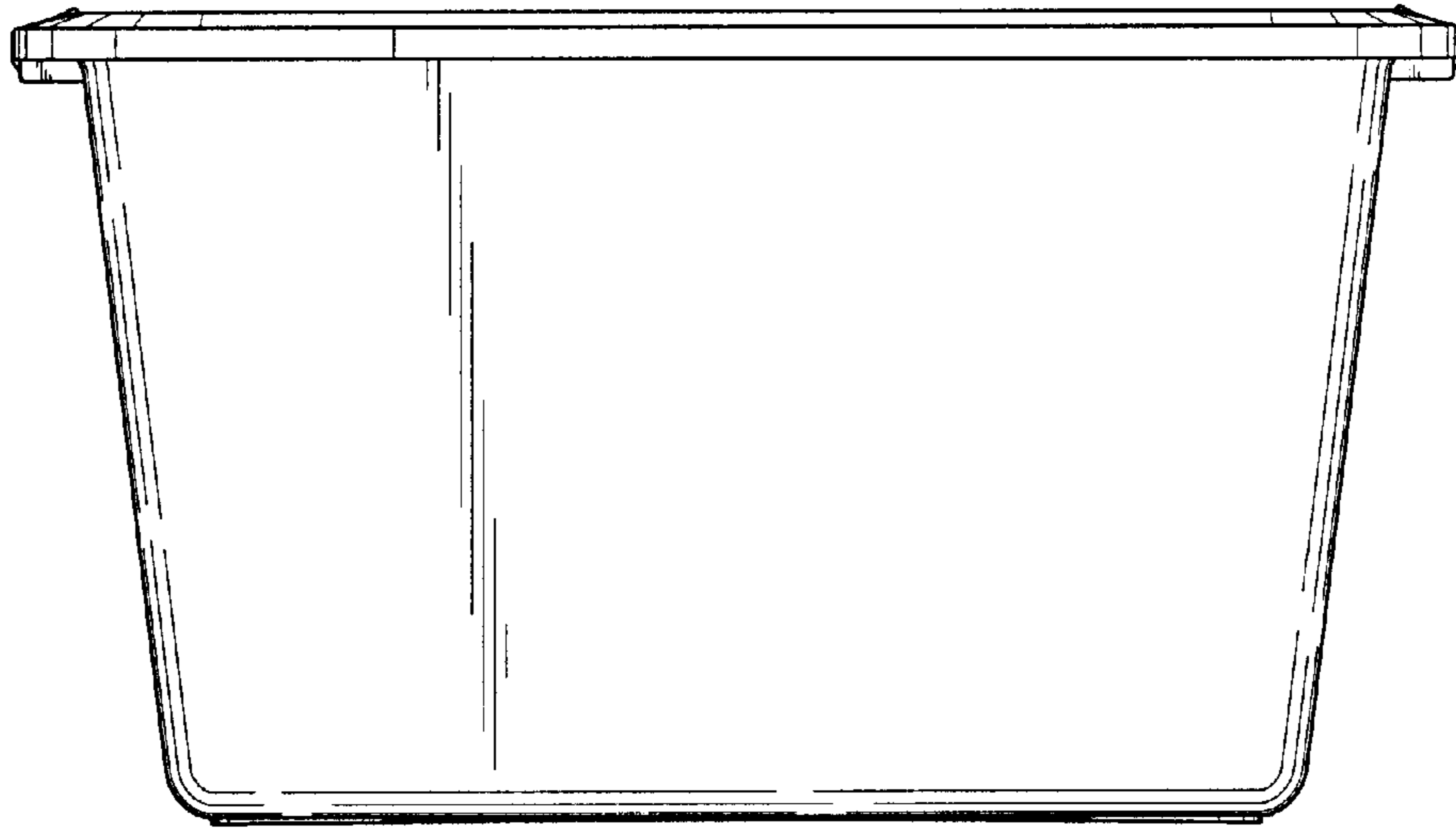
FIG. 10 is a cross-section view taken along line 10—10 of FIG. 6; and

FIG. 11 is a side elevation view of the container with the latch for the lid in an alternate position; and,

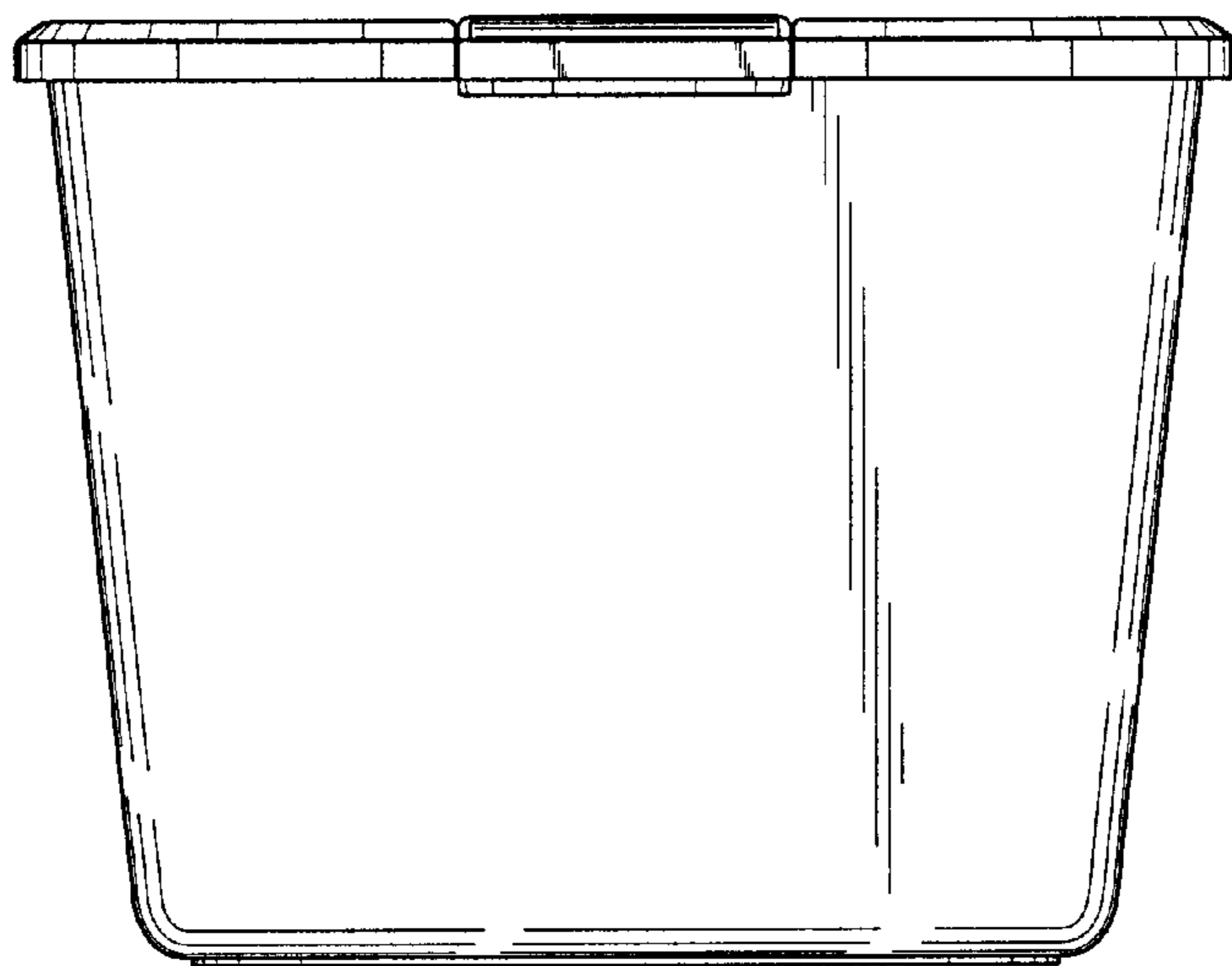
FIG. 12 is a perspective view of the container.

**1 Claim, 7 Drawing Sheets**





*Fig. 1*



*Fig. 2*

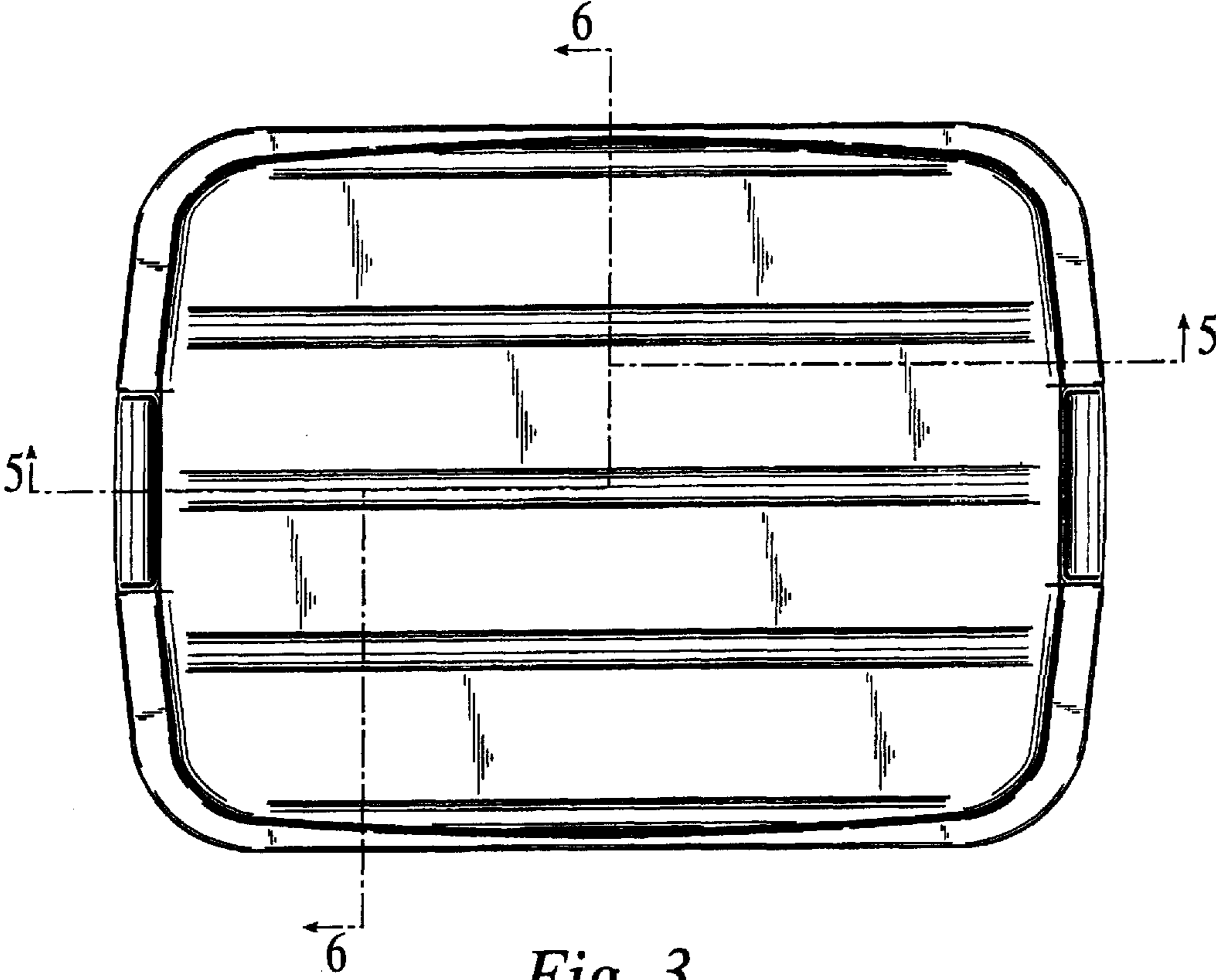


Fig. 3

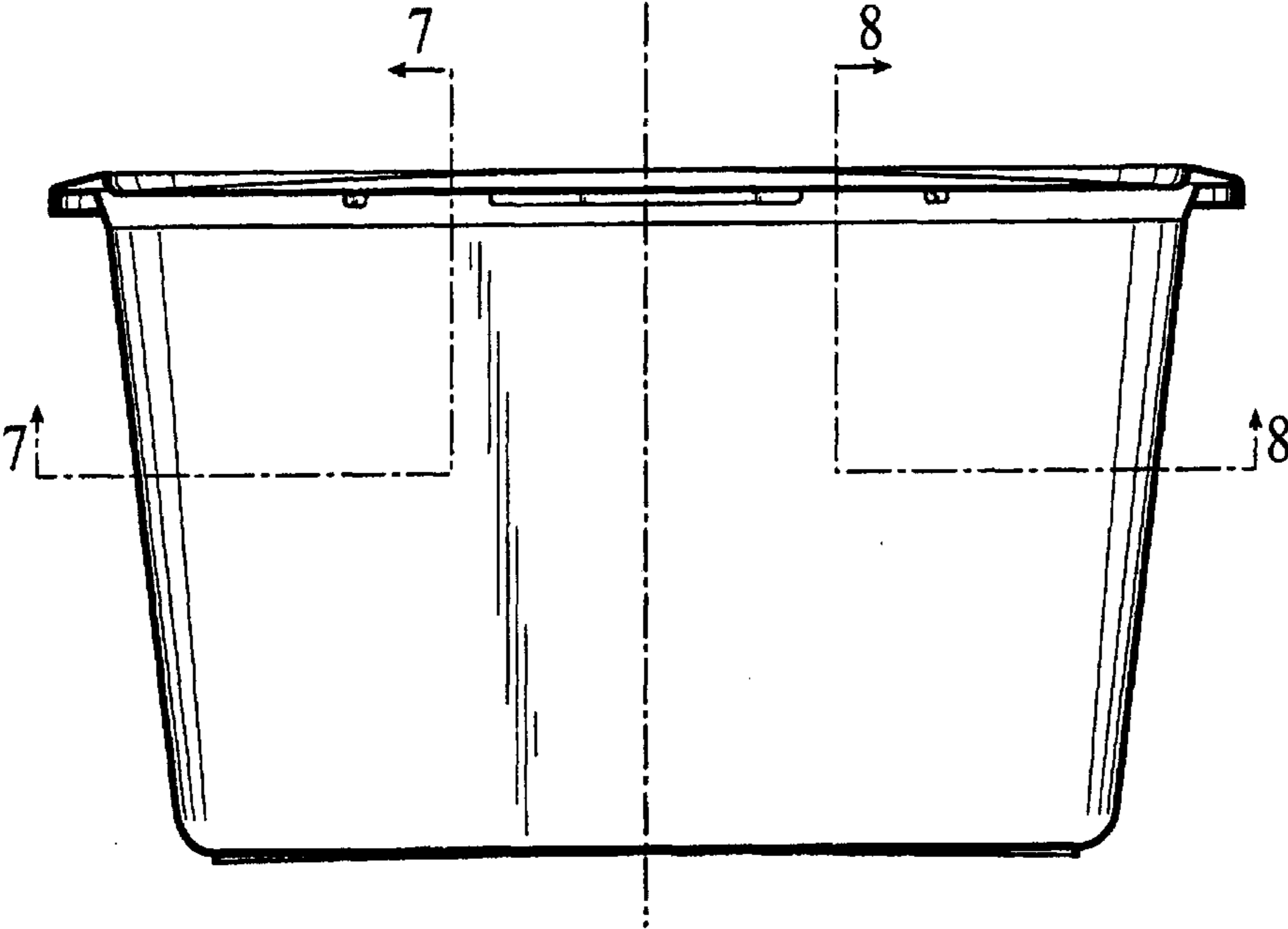
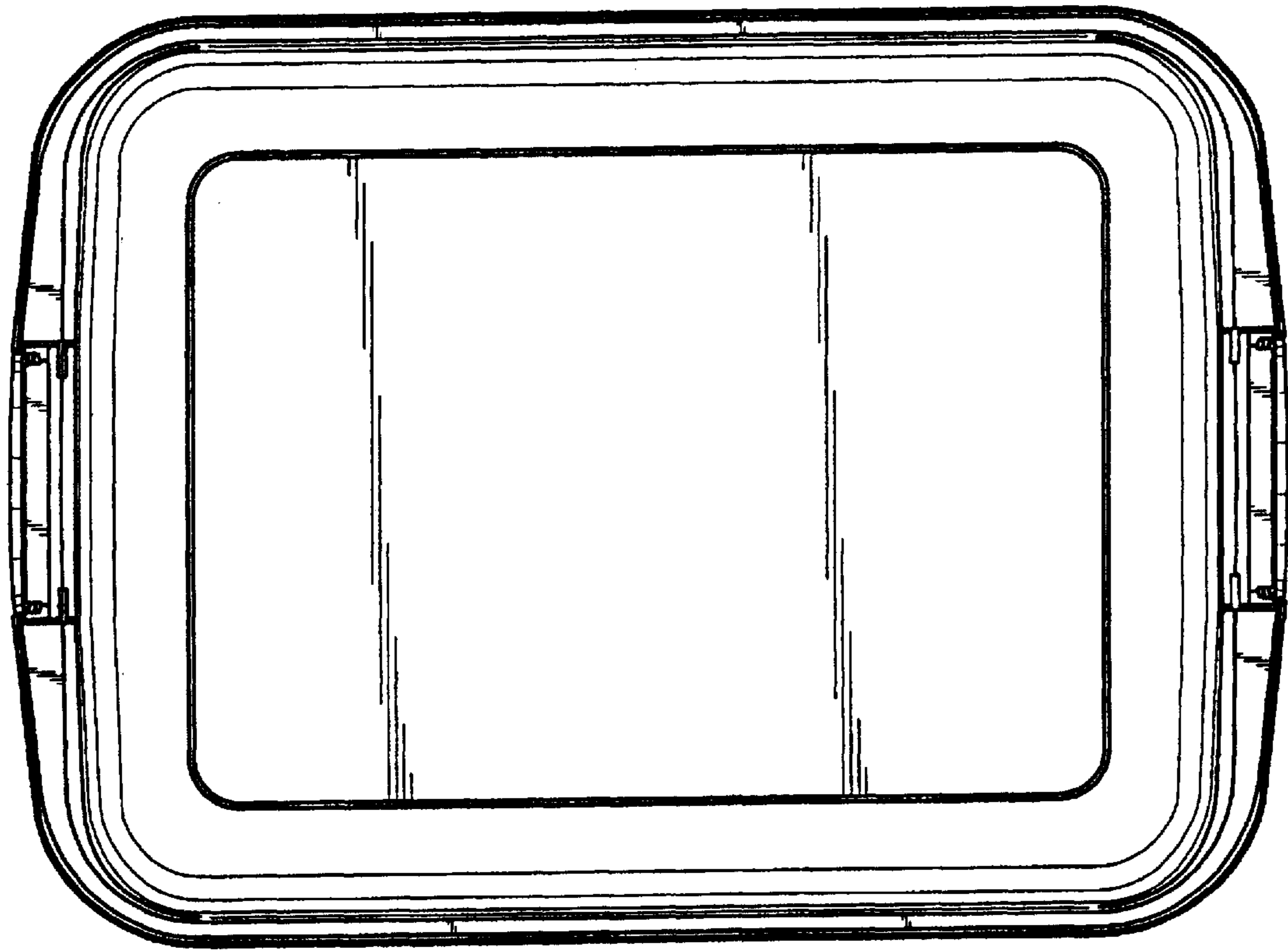
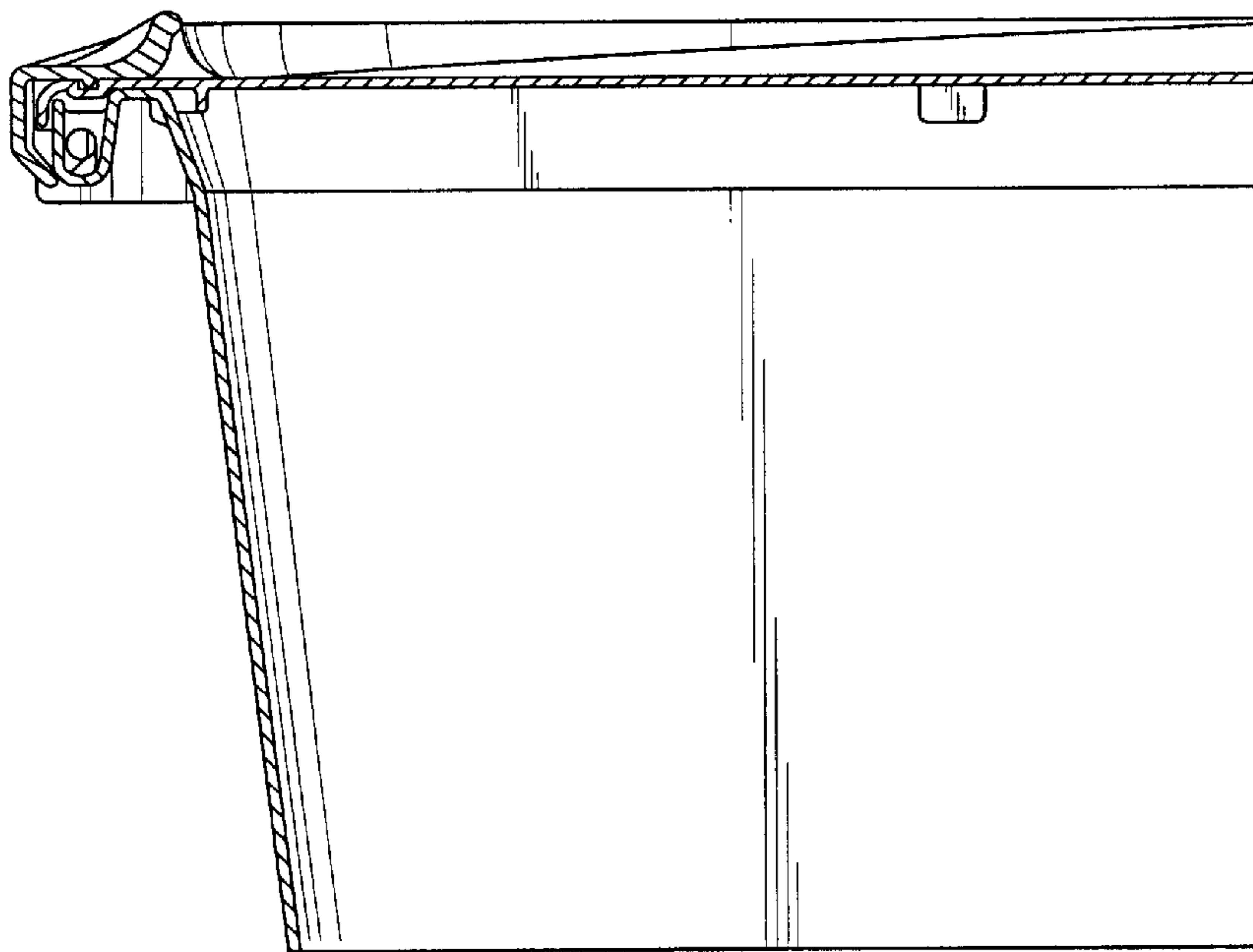
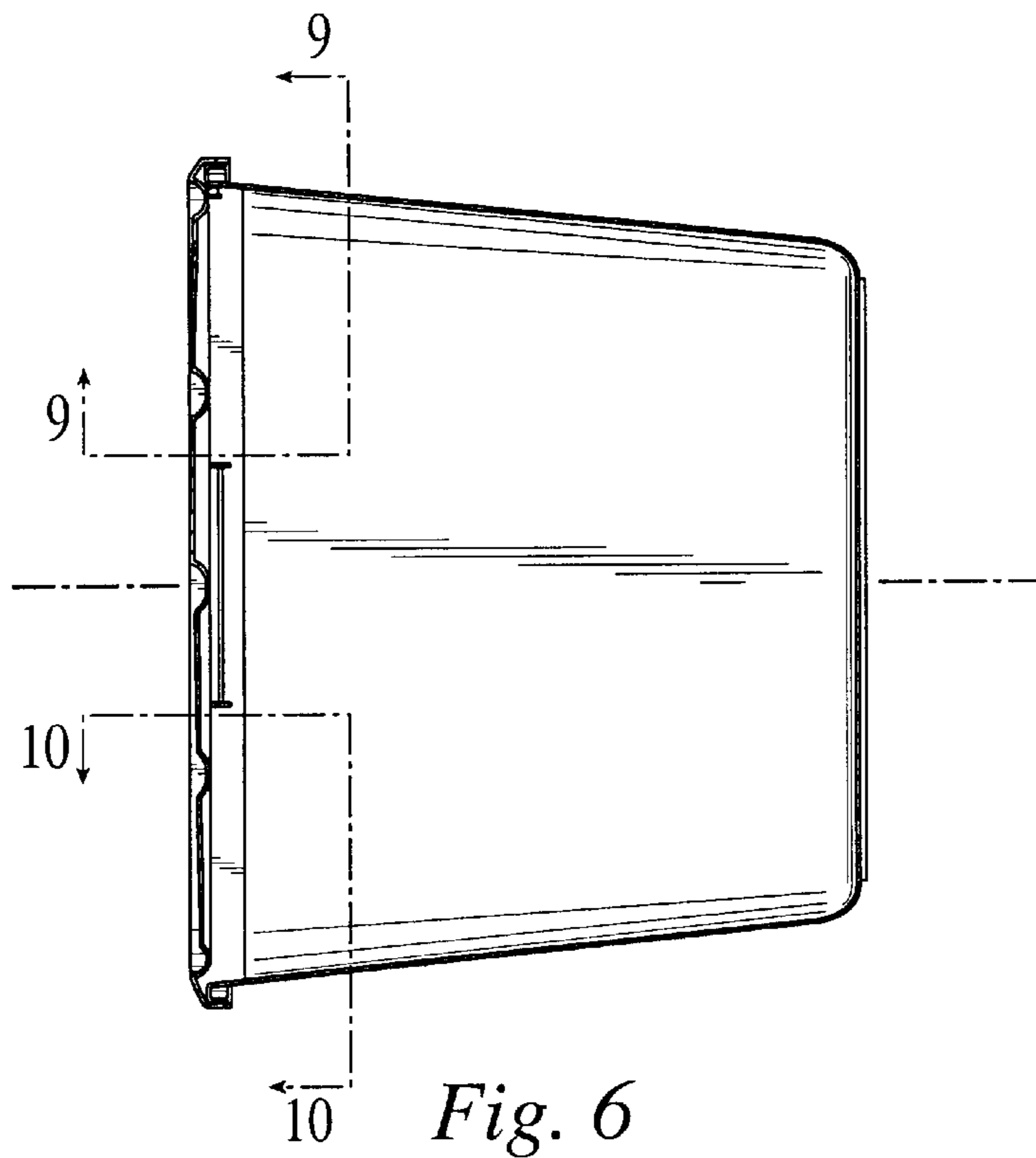


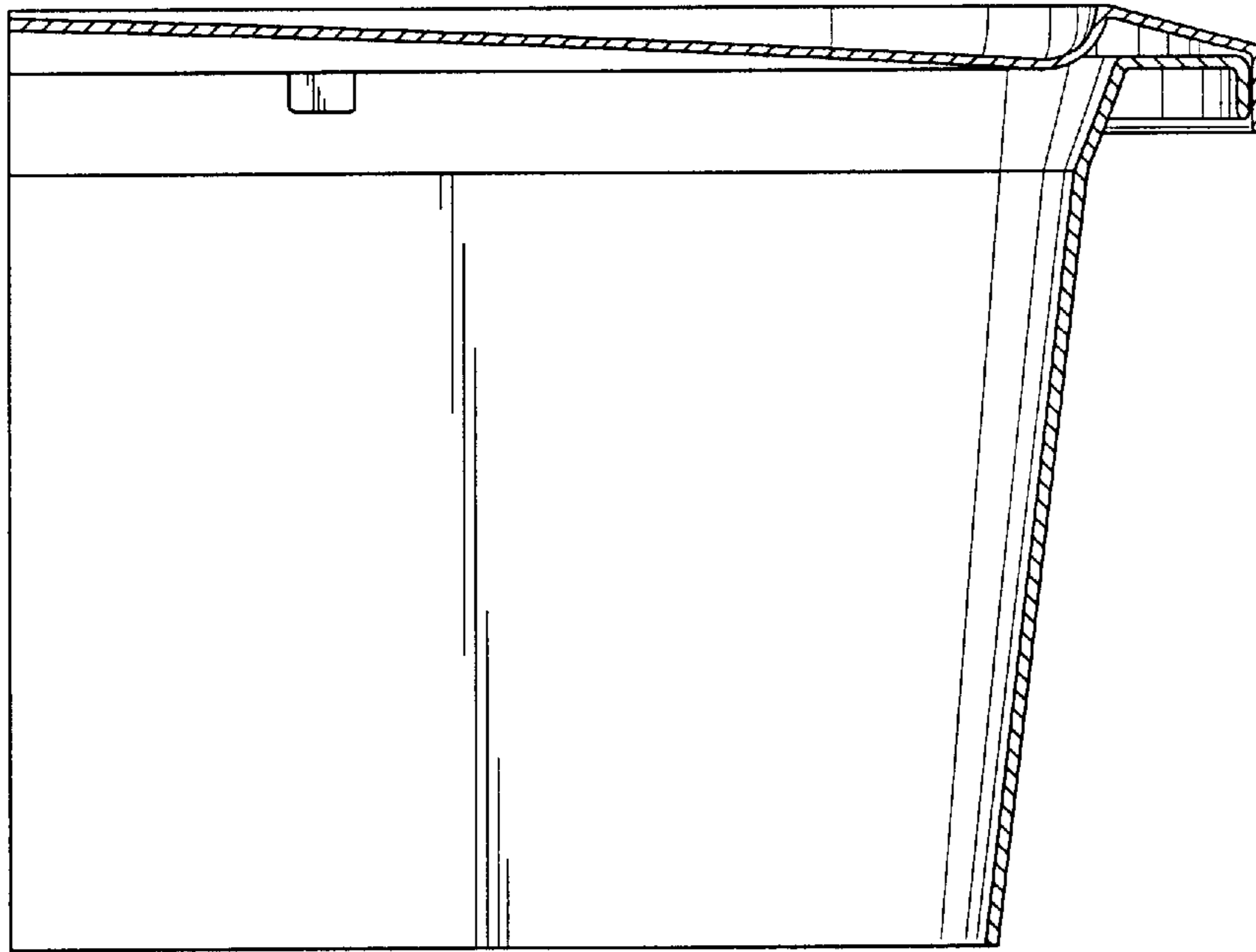
Fig. 5



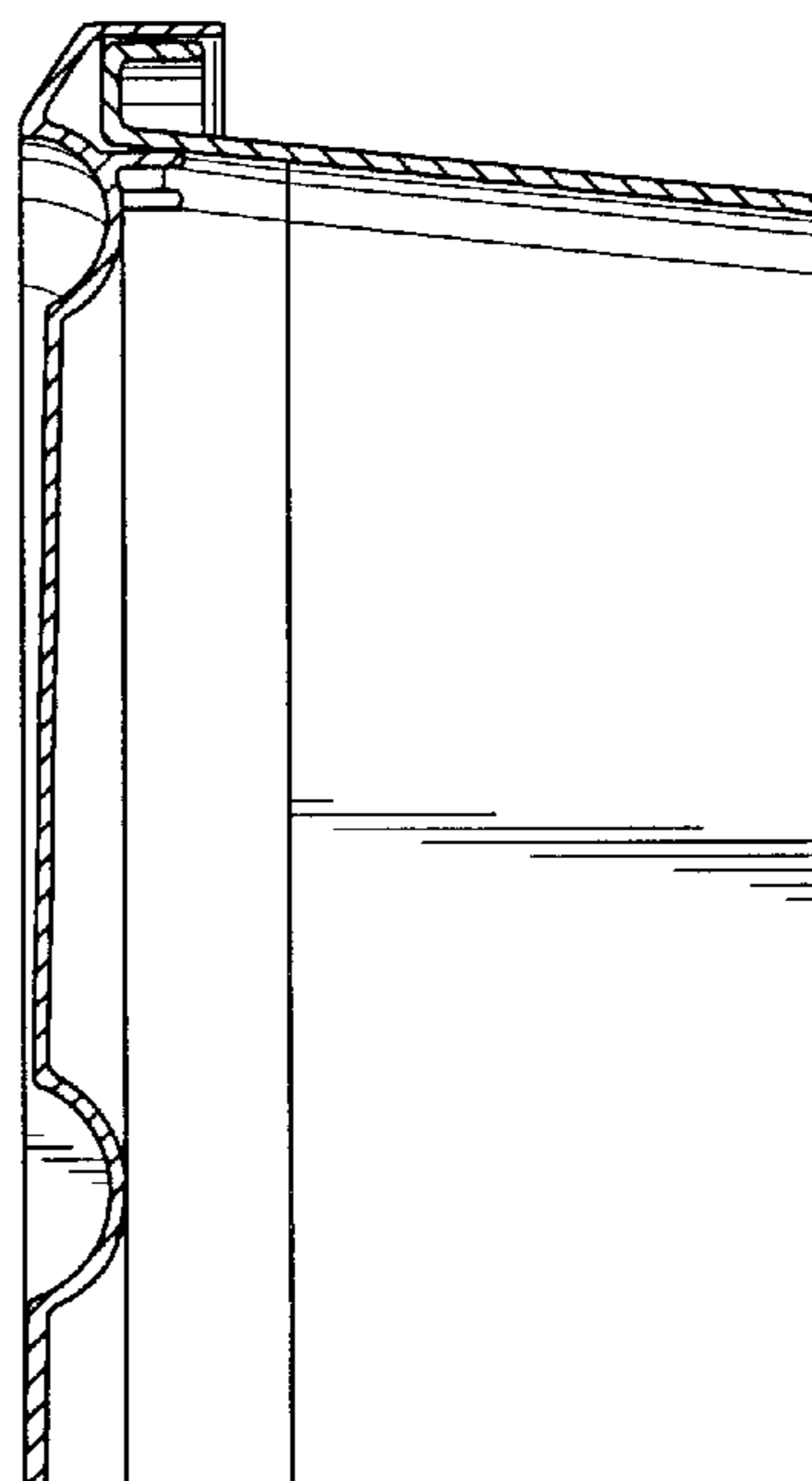
*Fig. 4*



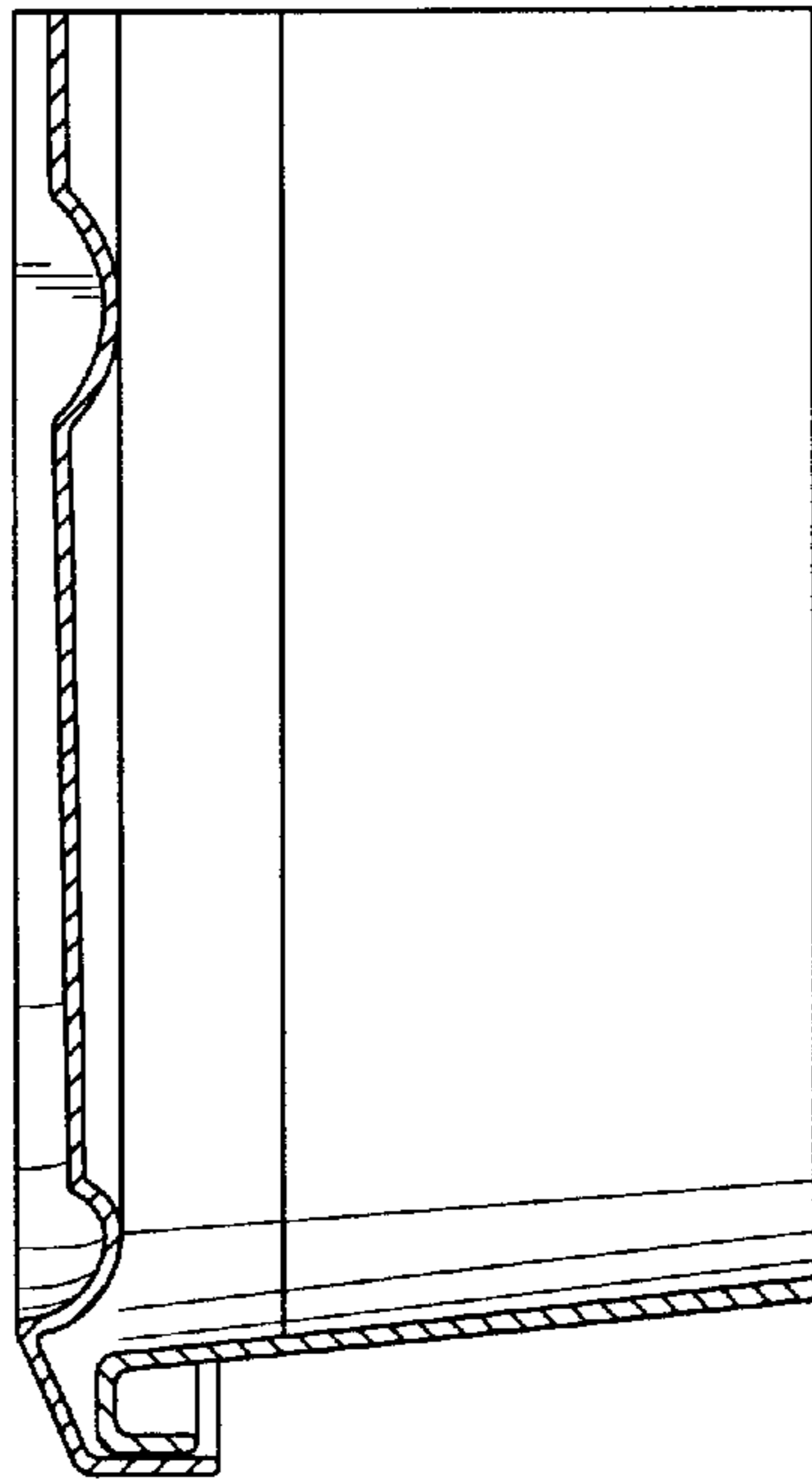
*Fig. 7*



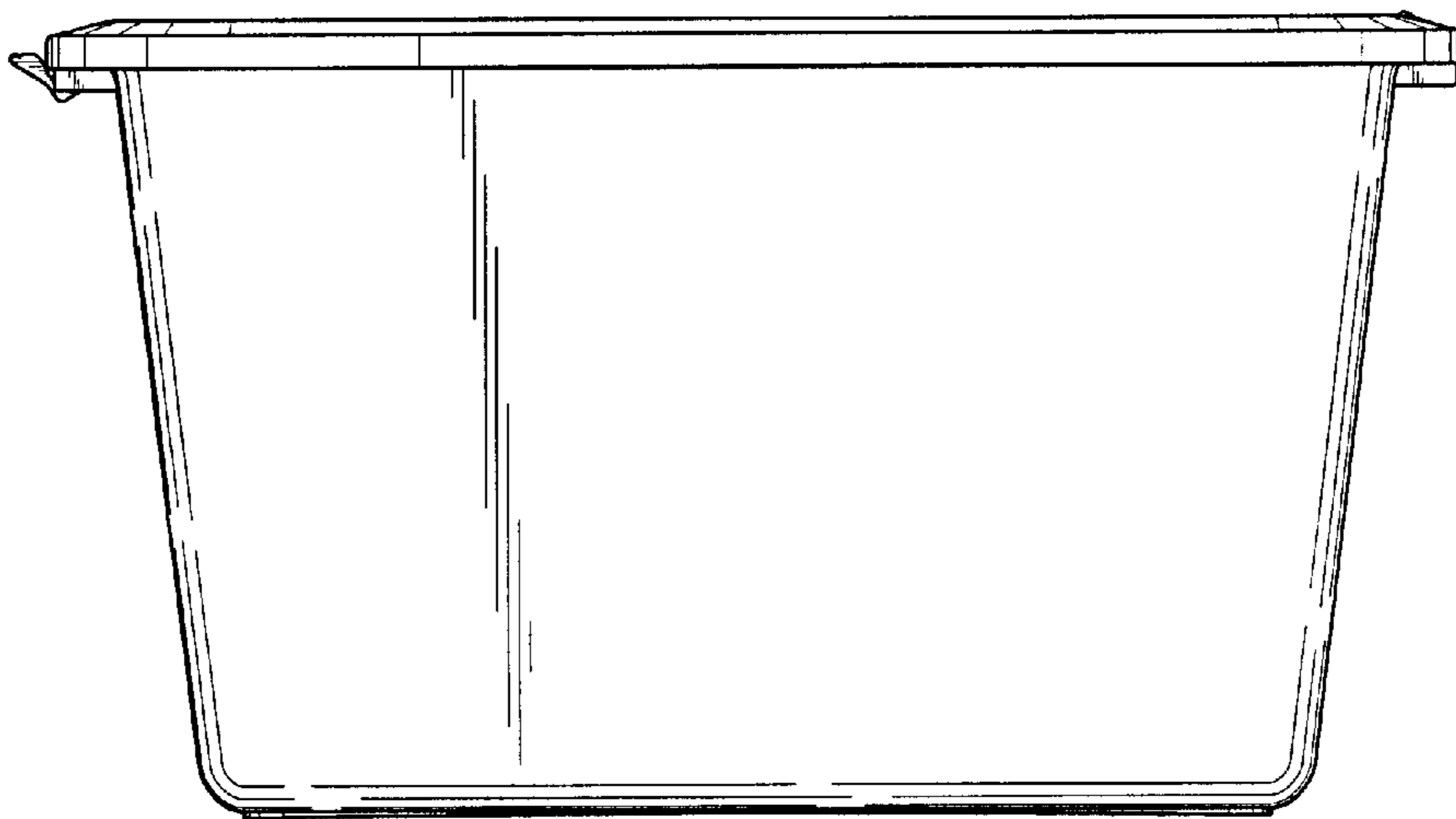
*Fig. 8*



*Fig. 9*

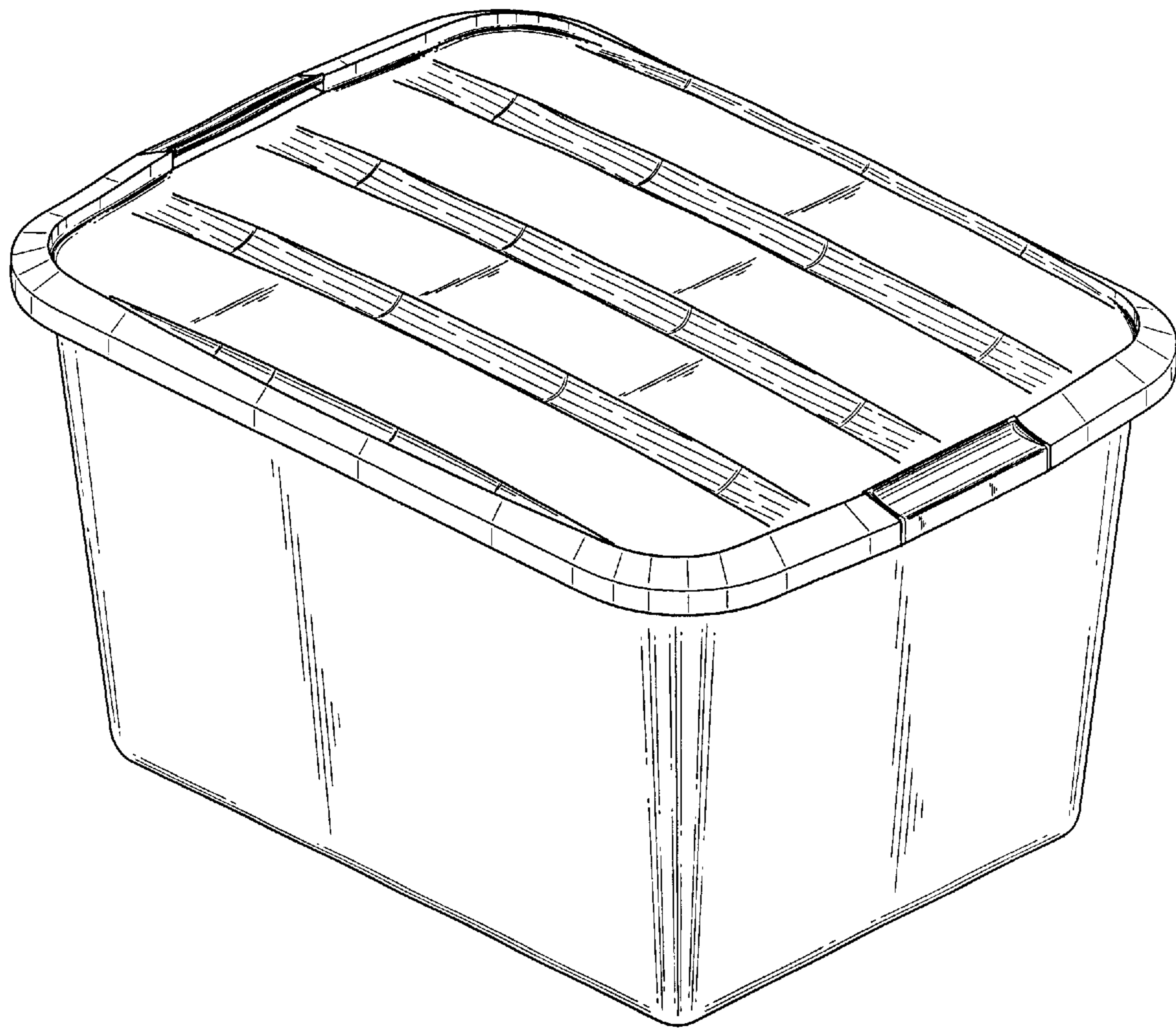


*Fig. 10*



*Fig. 11*





*Fig. 12*