



US00D511240S

(12) **United States Design Patent** (10) **Patent No.:** **US D511,240 S**
Kim (45) **Date of Patent:** **** Nov. 8, 2005**

(54) **VISOR**
(75) Inventor: **Jong Tak Kim**, Seoul (KR)
(73) Assignee: **DADA Corp.**, Seoul (KR)
(**) Term: **14 Years**
(21) Appl. No.: **29/200,300**
(22) Filed: **Feb. 27, 2004**
(51) **LOC (8) Cl.** **02-03**
(52) **U.S. Cl.** **D2/876**
(58) **Field of Search** D2/865, 866, 871,
D2/872, 873, 875, 876, 882, 884, 893;
2/12, 171, 200.1, 209.11, 209.12, 209.3,
209.4

5,265,165 A * 11/1993 Rauch 381/309
D377,708 S * 2/1997 Bay, Jr. D2/893
5,615,414 A * 4/1997 Landis 2/12
5,659,896 A * 8/1997 Taylor 2/12
5,799,326 A * 9/1998 Chang 2/12
5,857,218 A * 1/1999 Kuhlman et al. 2/174
D412,774 S * 8/1999 Shwartz D2/876
6,009,555 A * 1/2000 Siprut 2/12
D439,728 S * 4/2001 Smith D2/876
D460,243 S * 7/2002 Park D2/872
D469,947 S 2/2003 Park
D474,002 S 5/2003 Park
6,560,780 B2 * 5/2003 Zar 2/12
6,675,393 B1 1/2004 Park
6,810,533 B1 * 11/2004 Nahabedian et al. 2/209.3

* cited by examiner

Primary Examiner—Jeffrey Asch
Assistant Examiner—Elizabeth Albert

(56) **References Cited**
U.S. PATENT DOCUMENTS

217,500 A * 7/1879 White 2/12
2,009,855 A * 7/1935 Osmer 493/340
2,019,028 A * 10/1935 Sternberg 2/12
2,092,805 A * 9/1937 Jones 2/12
2,207,907 A * 9/1940 Wittcoff 2/171.02
3,266,056 A * 8/1966 De Villers et al. 2/12
D206,191 S * 11/1966 Lawrence D29/109
D236,661 S * 9/1975 Weaver D2/876
D237,758 S * 11/1975 Huffman D2/876
4,547,903 A * 10/1985 Brown et al. 2/12
D285,021 S * 8/1986 Chandler D29/109
D288,026 S * 2/1987 Laughlin D2/871
4,686,713 A * 8/1987 Coleman et al. 2/12
4,912,779 A * 4/1990 Laird 2/12
4,951,316 A * 8/1990 Moody 2/10
D316,173 S * 4/1991 Morris, Jr. D2/876
D324,128 S * 2/1992 Hoskins D2/876
5,131,094 A * 7/1992 Ackerman 2/12
5,177,811 A * 1/1993 Ulrich 2/209.7

(57) **CLAIM**

The ornamental design for a visor, as shown and described.

DESCRIPTION

FIG. 1 is a perspective view of a first embodiment of a visor showing my new design;
FIG. 2 is a front elevational view thereof;
FIG. 3 is a right elevational view thereof;
FIG. 4 is a rear elevational view thereof;
FIG. 5 is a perspective view of a second embodiment of the visor;
FIG. 6 is a front elevational view of FIG. 5
FIG. 7 is a right elevational view of FIG. 5; and,
FIG. 8 is a rear elevational view of FIG. 5.
The broken lines shown on the visor represent stitching lines and form no part of the claimed design.

1 Claim, 4 Drawing Sheets

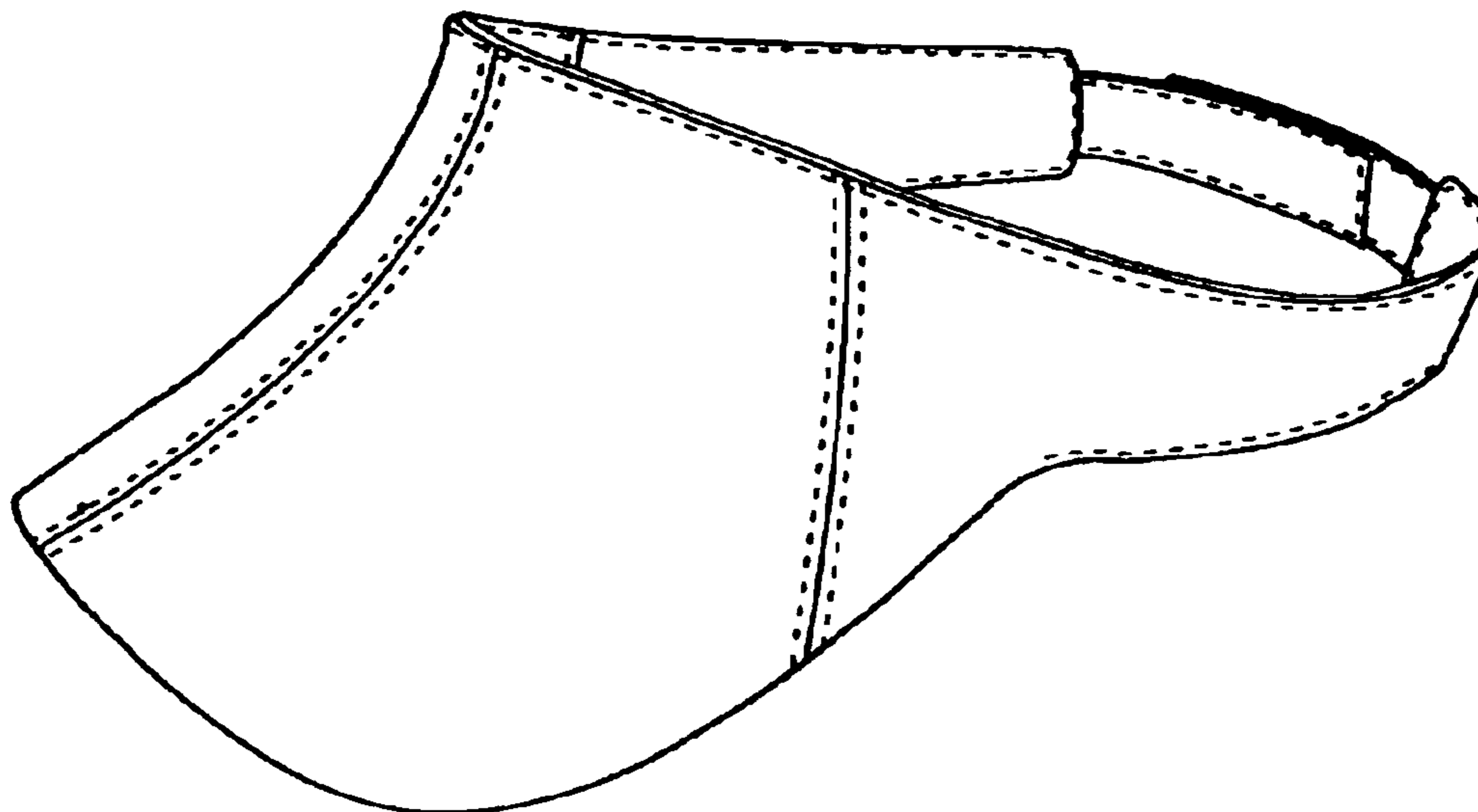


FIG. 1

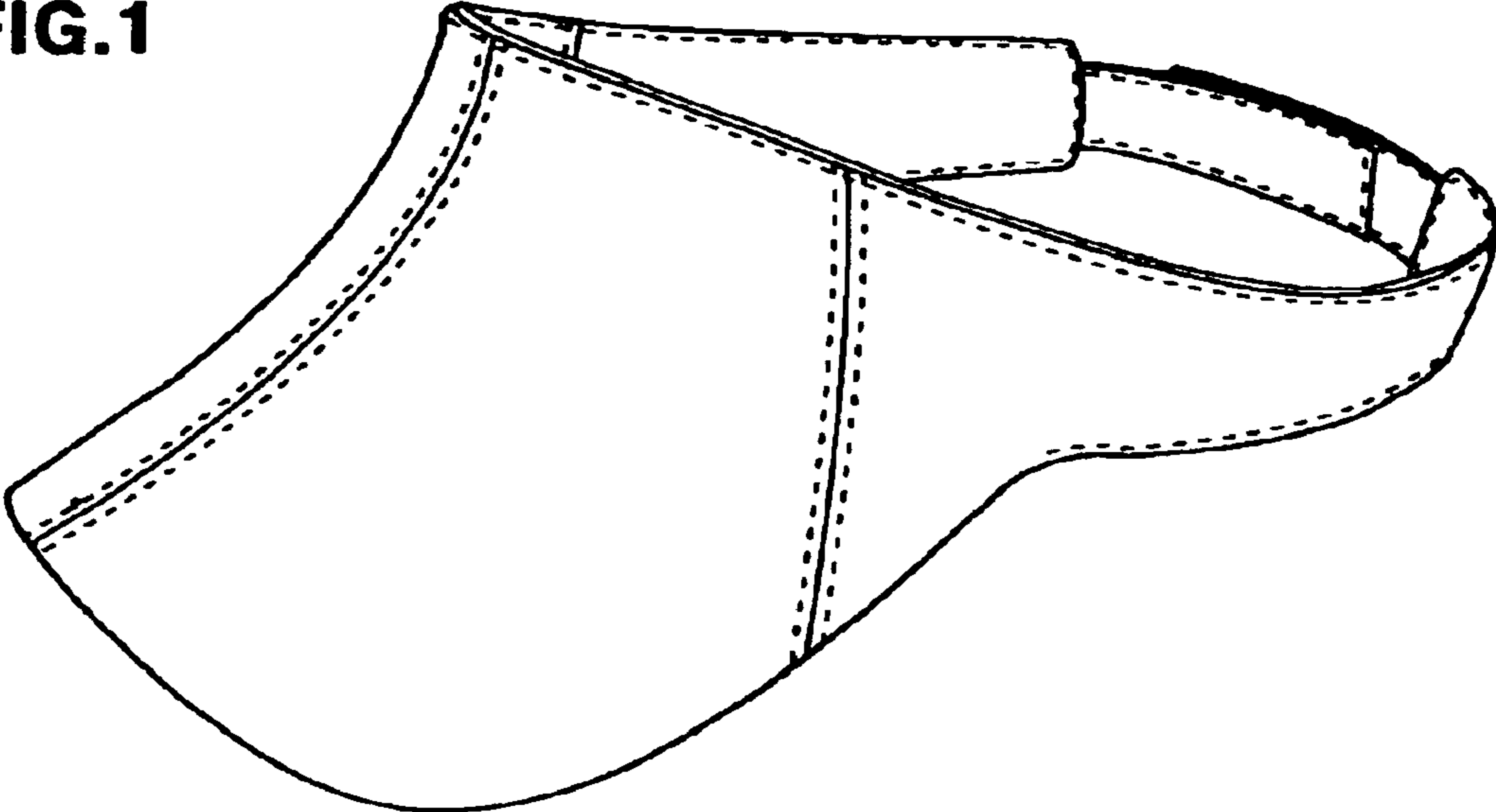


FIG. 2

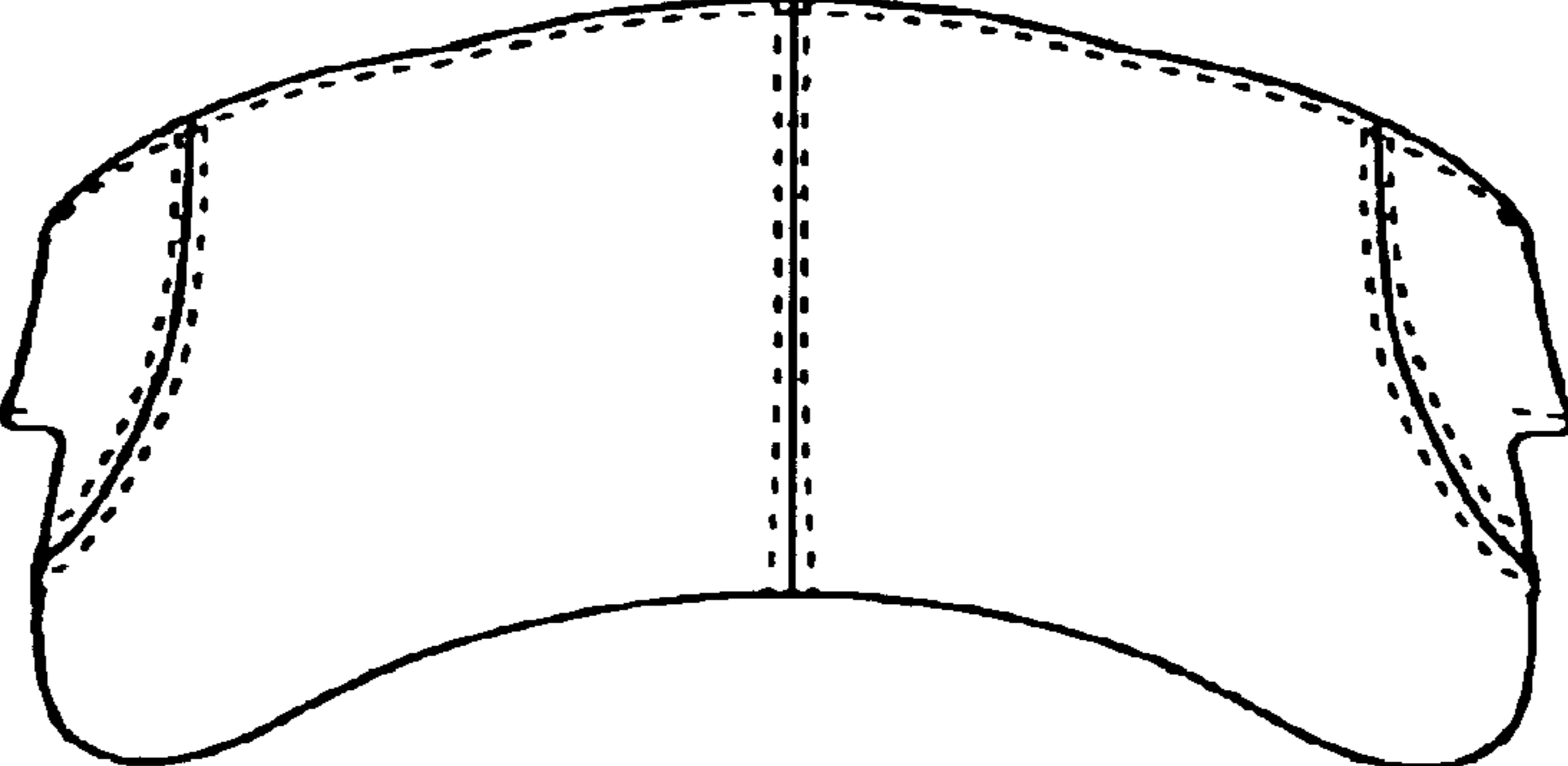


FIG.3

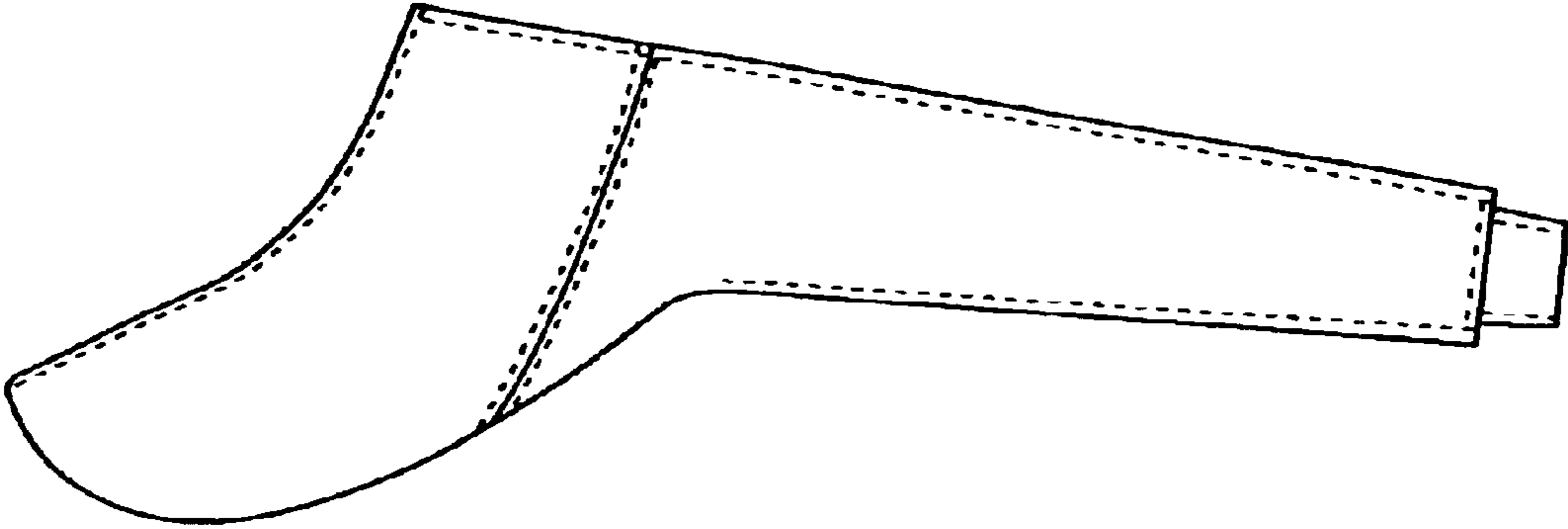


FIG.4

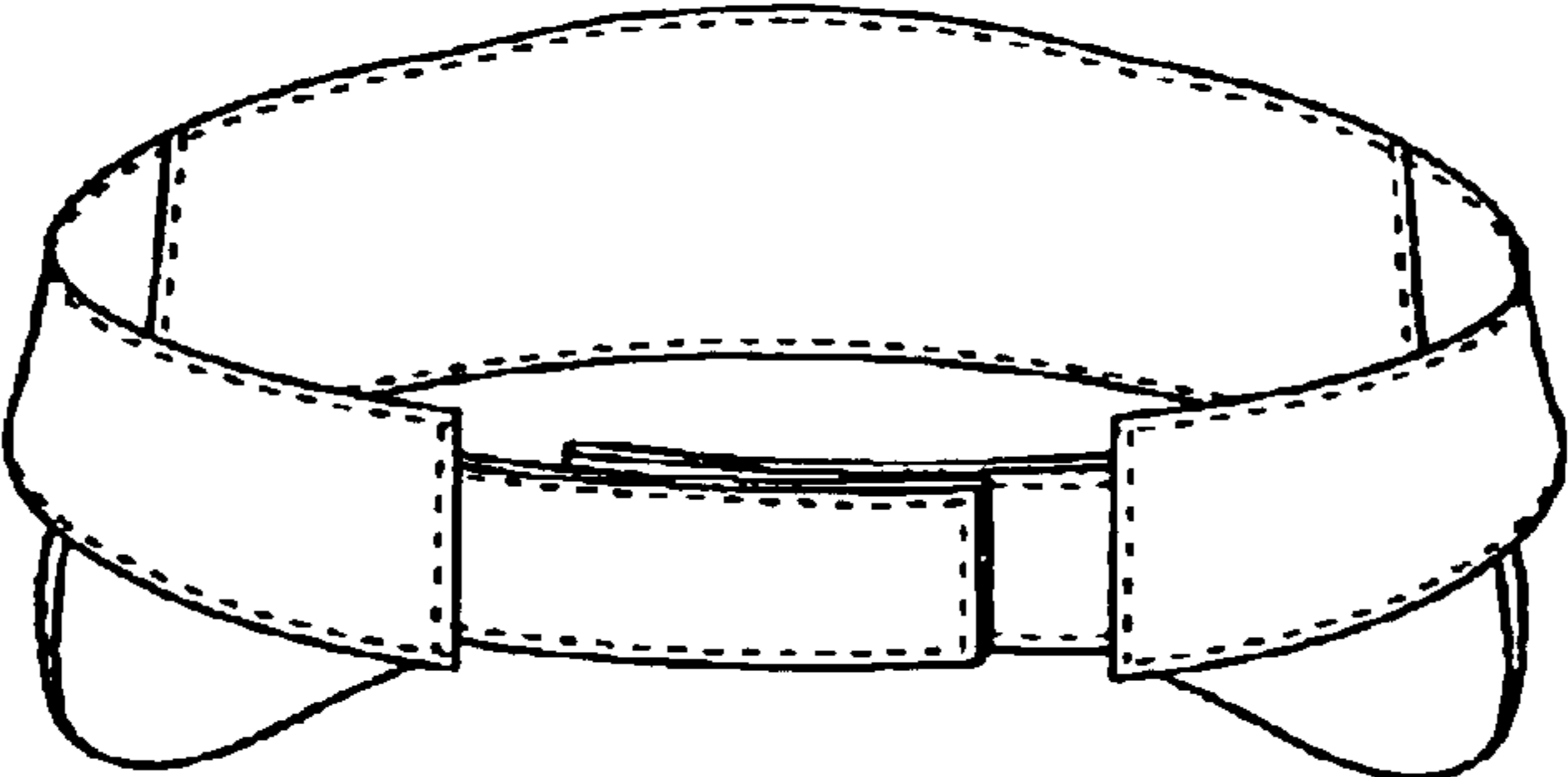


FIG.5

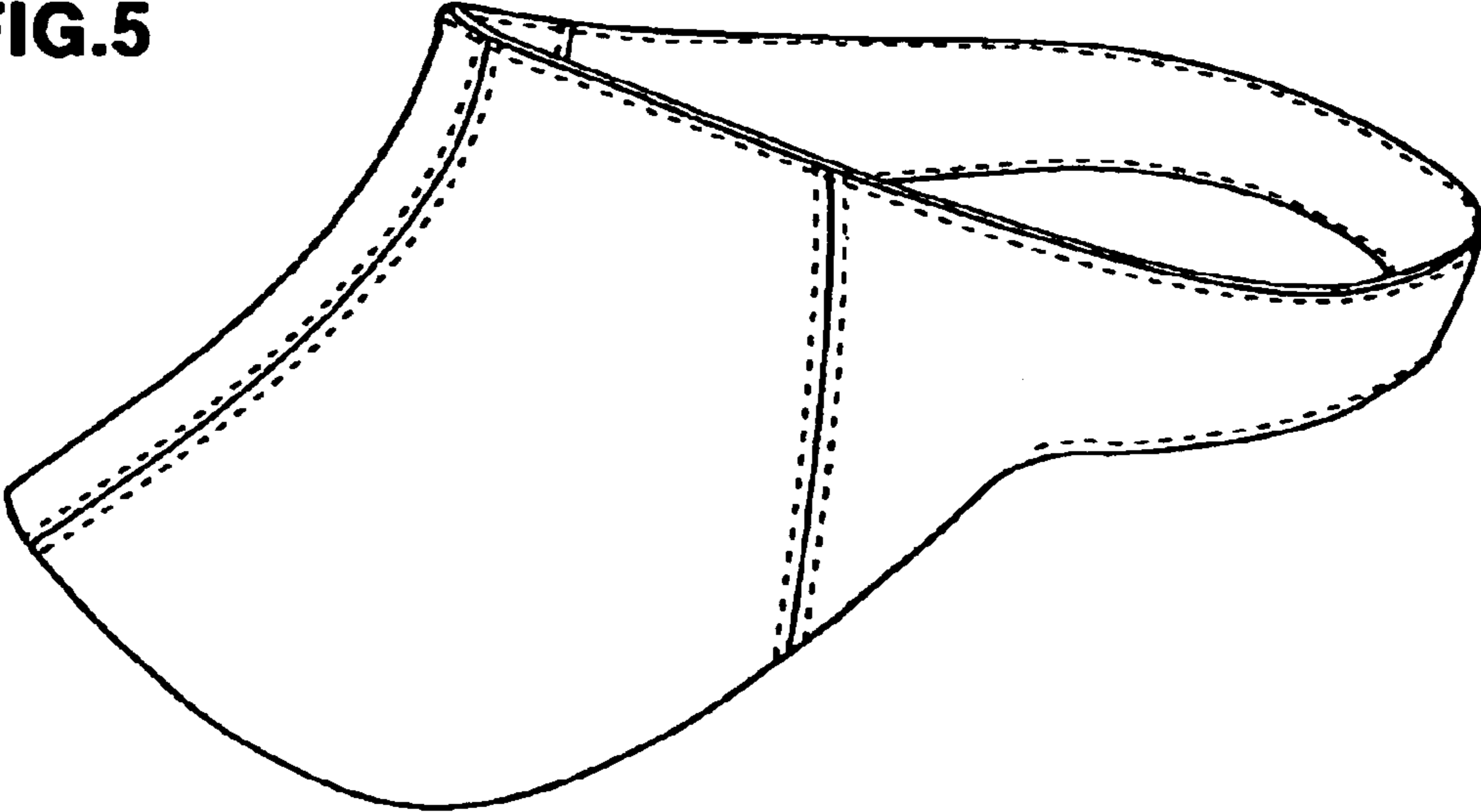


FIG.6

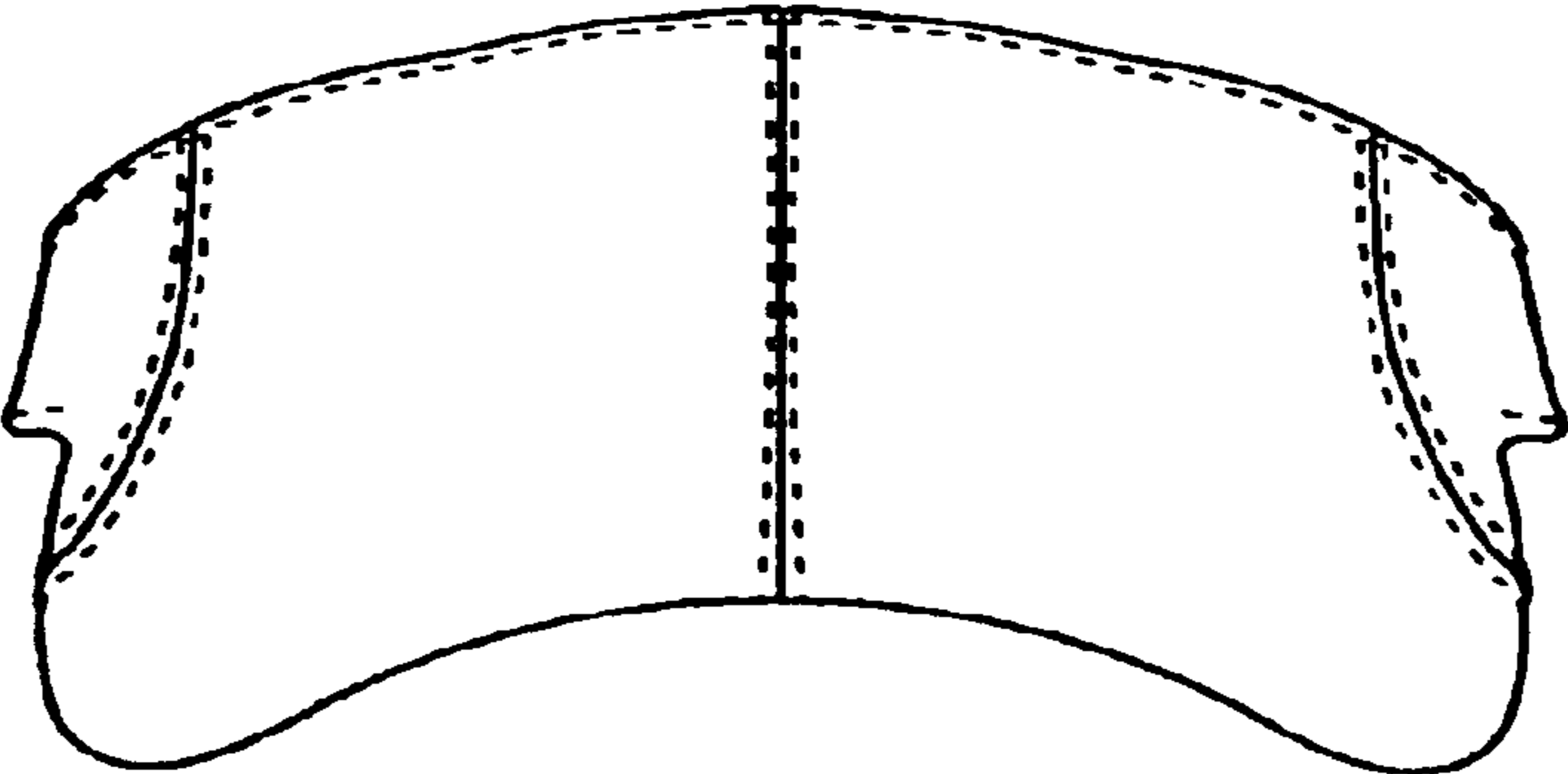


FIG.7

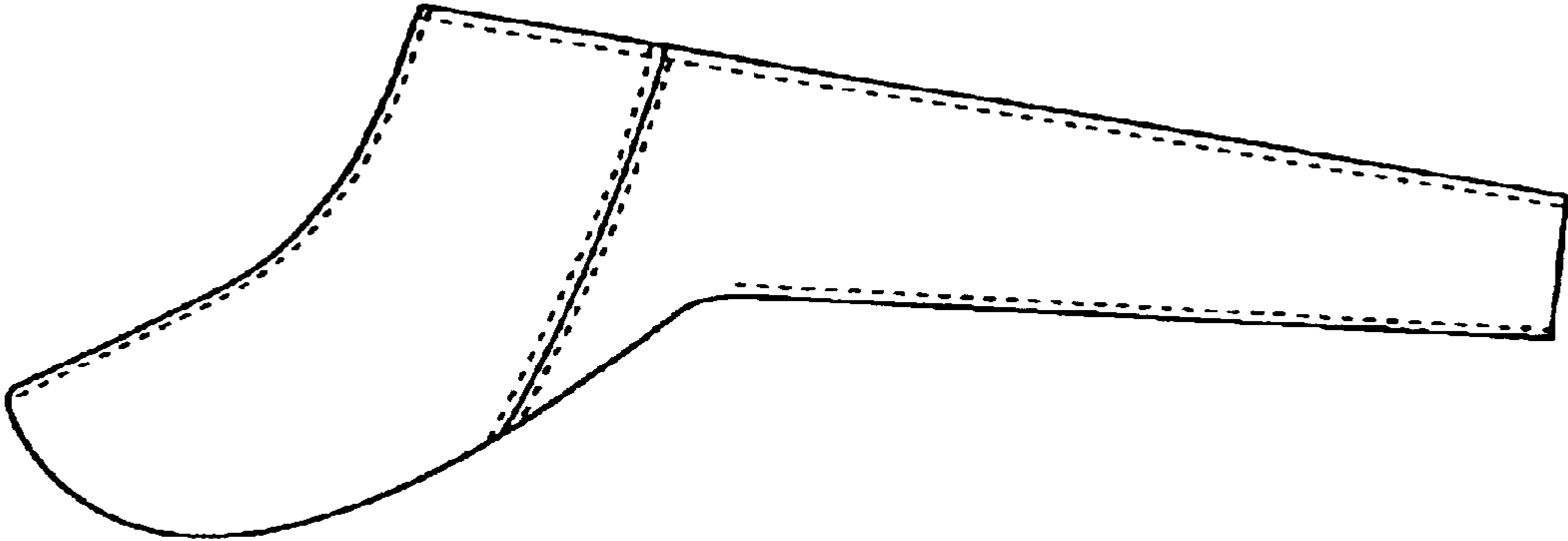


FIG.8

