



US00D511235S

(12) **United States Design Patent**
Skolnick et al.

(10) **Patent No.:** **US D511,235 S**
(45) **Date of Patent:** **** Nov. 1, 2005**

(54) **SURBURBAN MAIL BOX WITH CHECKERED RACE CAR FLAG**

D438,529 S * 3/2001 Brennan D14/189
D440,026 S * 4/2001 Barney D99/30

(76) Inventors: **Kim Mary Skolnick**, 99 Ridgefield Ave., South Salem, NY (US) 10590;
Patricia Zeller, 99 Elmwood Rd., South Salem, NY (US) 10590

* cited by examiner

Primary Examiner—Paula A. Greene
(74) *Attorney, Agent, or Firm*—Eli Weiss; Albert L. Jacobs

(**) Term: **14 Years**

(57) **CLAIM**

(21) Appl. No.: **29/203,303**

The ornamental design for a surburban mail box with checkered race car flag, as shown and described.

(22) Filed: **Apr. 13, 2004**

DESCRIPTION

(51) **LOC (8) Cl.** **99-00**

(52) **U.S. Cl.** **D99/30**

(58) **Field of Search** D99/29, 30, 31,
D99/32, 42; 232/19, 20, 27, 39; 446/446;
D21/424, 433, 548, 549; D14/189, 207,
403; D12/86, 90, 91, 92

FIG. 1 is a perspective view of a surburban mail box with checkered race car flag showing my new design;
FIG. 2 is a top plan view thereof;
FIG. 3 is a side elevational view thereof with raised checked race car flag;
FIG. 4 is a front elevational view thereof with raised checkered race car flag;
FIG. 5 is a rear elevational view thereof with raised checkered race car flag;
FIG. 6 is a perspective view thereof with lowered checked race car flag and stock race car suburban mail box open; and,
FIG. 7 is a perspective view thereof, the race car flag is shown separately for purposes of illustration.
The broken lines in FIGS. 1 through 6 are for illustrative purposes only and form no part of the claimed design.

(56) **References Cited**

U.S. PATENT DOCUMENTS

- D404,027 S * 1/1999 Bush D14/403
- D411,906 S * 7/1999 Ely et al. D99/30
- D417,058 S * 11/1999 Royal et al. D99/30
- D418,272 S * 12/1999 Hiott D99/30
- D419,207 S * 1/2000 Lieberman D21/549
- D426,934 S * 6/2000 Powell et al. D99/30
- D428,874 S * 8/2000 White D14/207

1 Claim, 6 Drawing Sheets

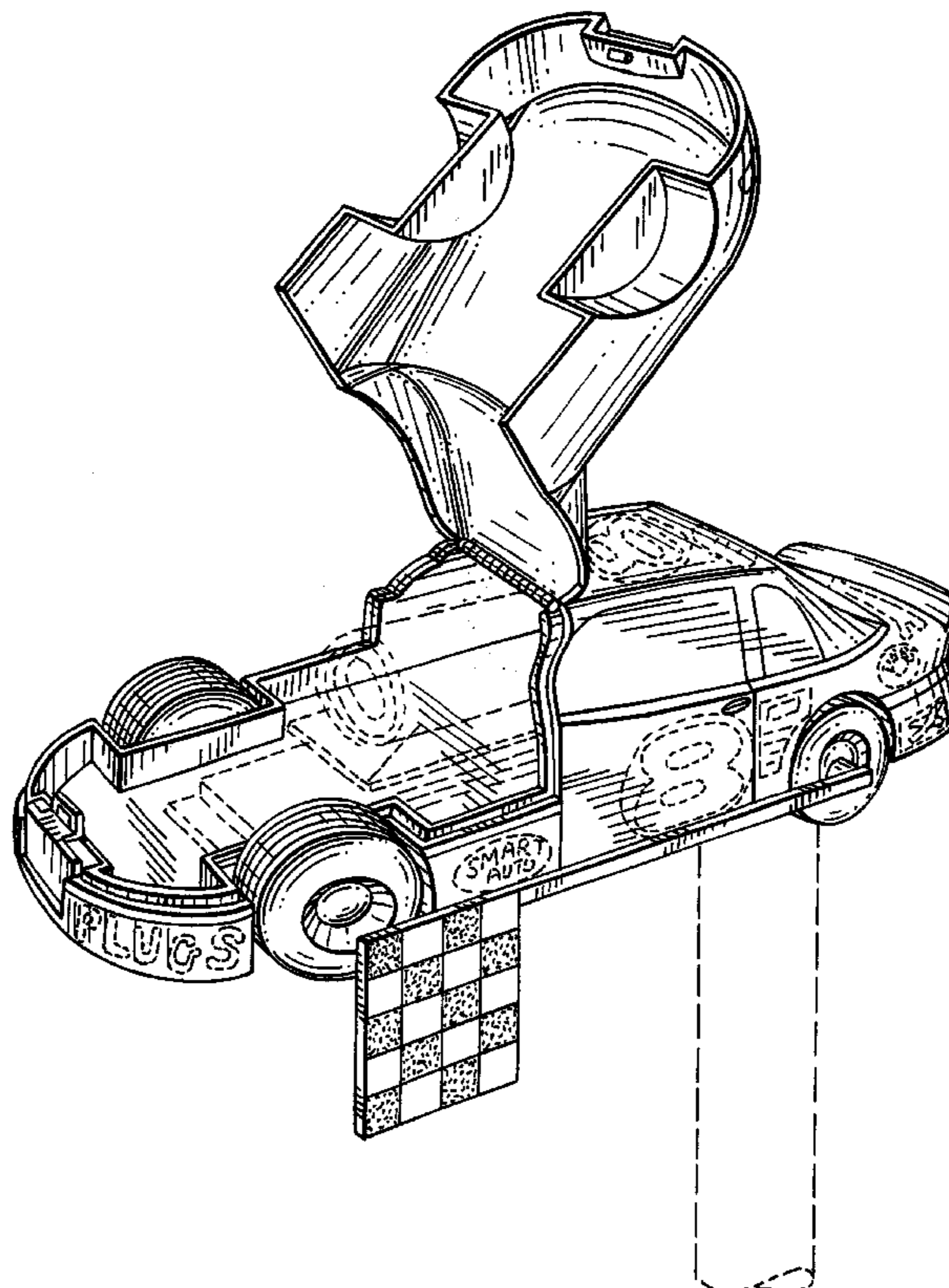
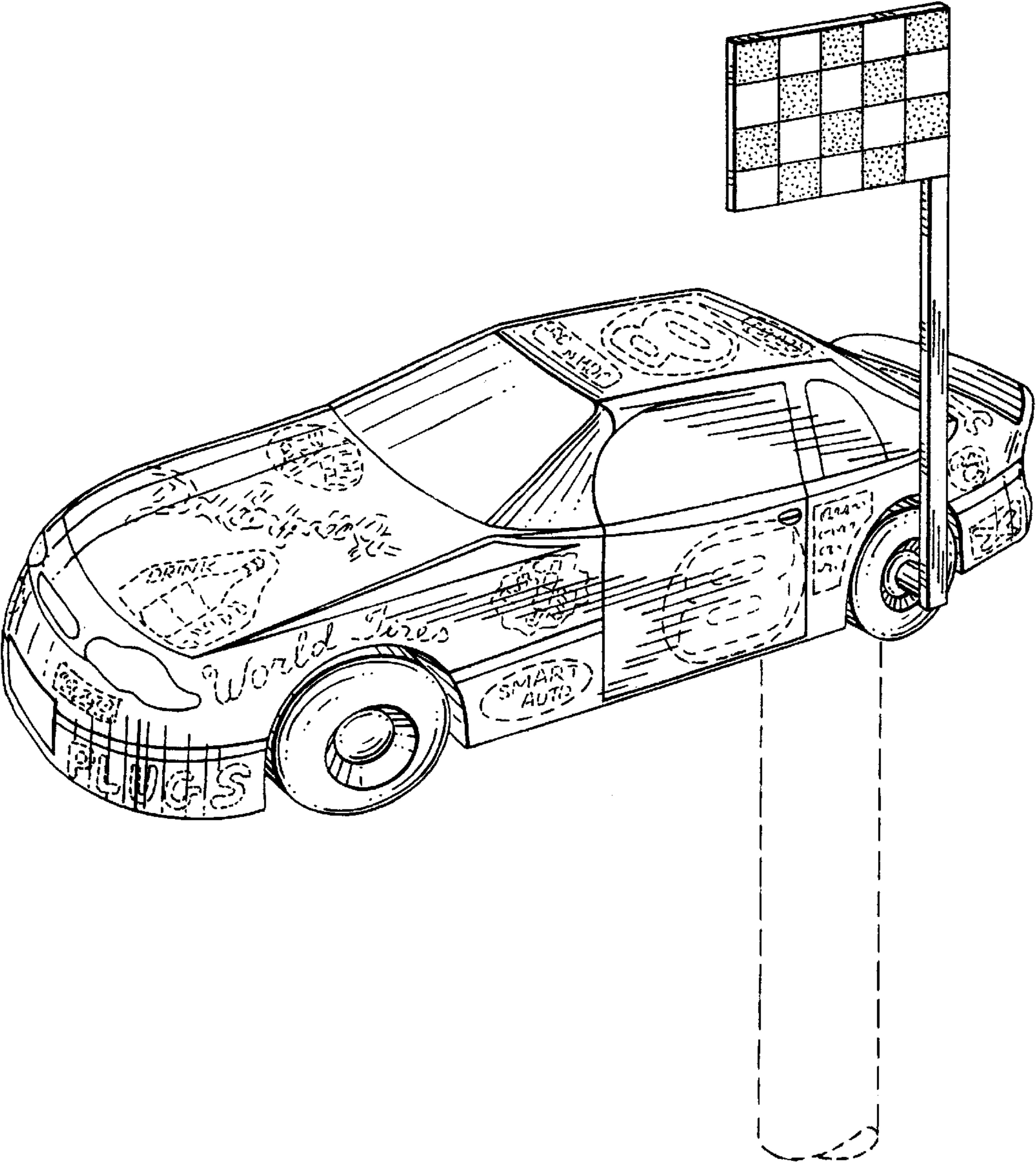


FIG. 1



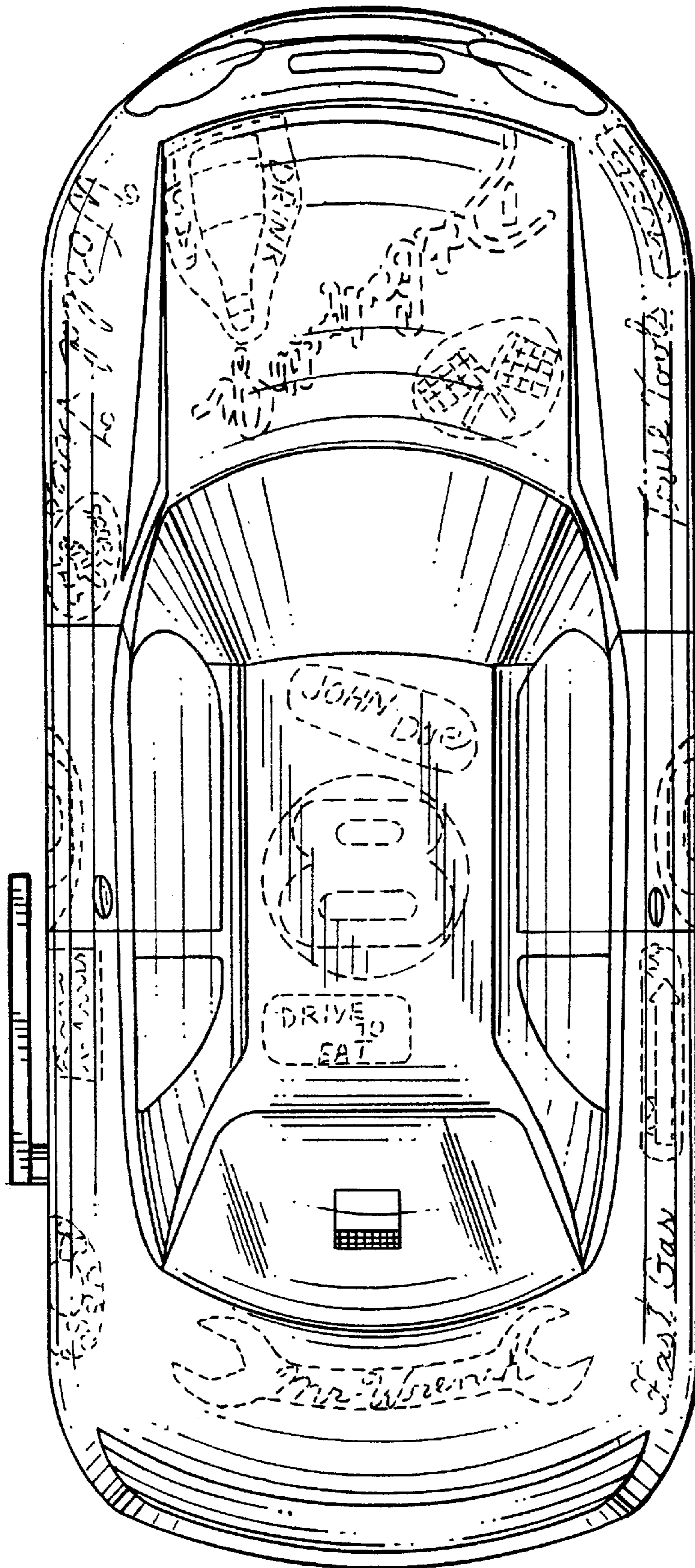


FIG. 2

FIG. 3

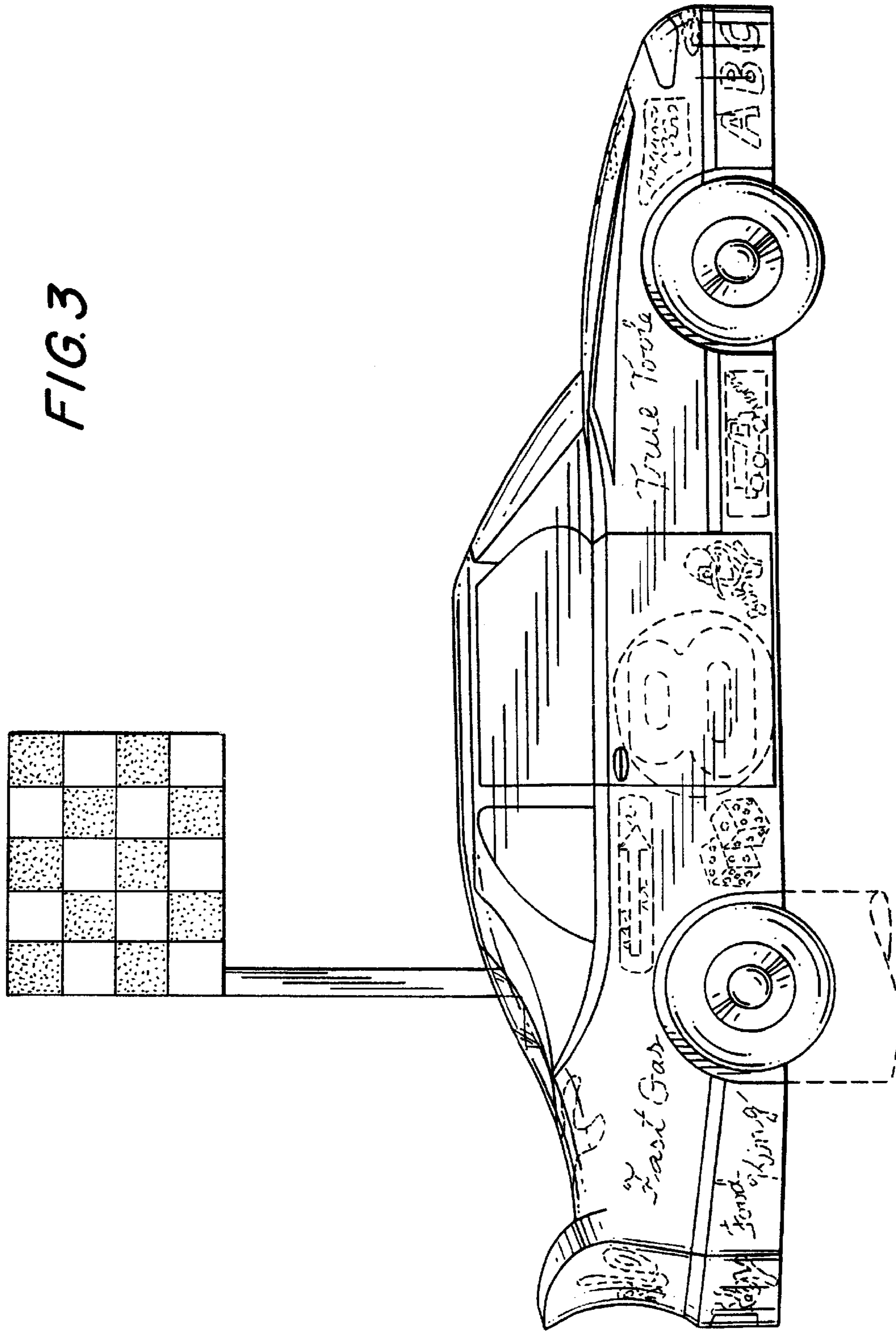


FIG. 5

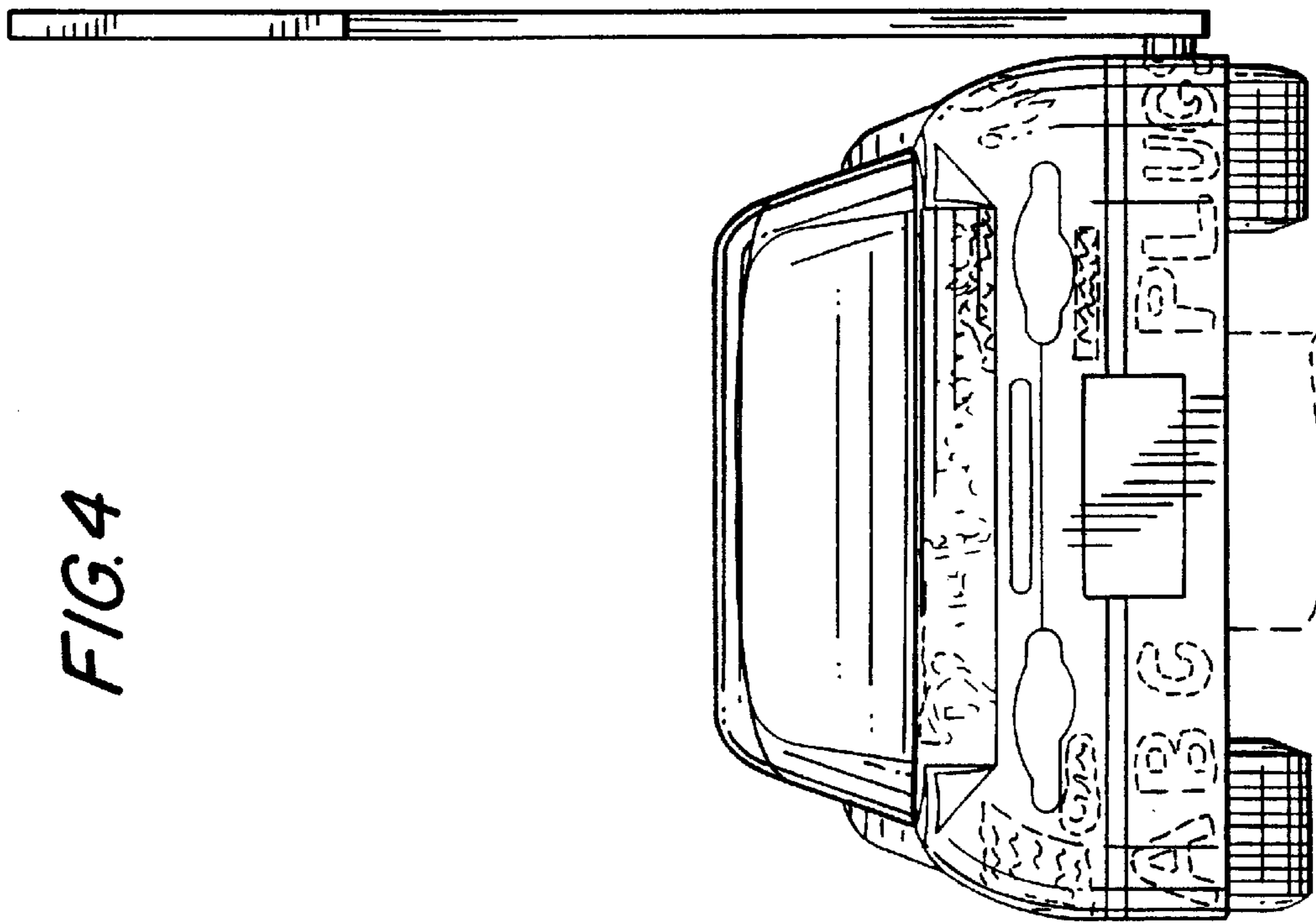
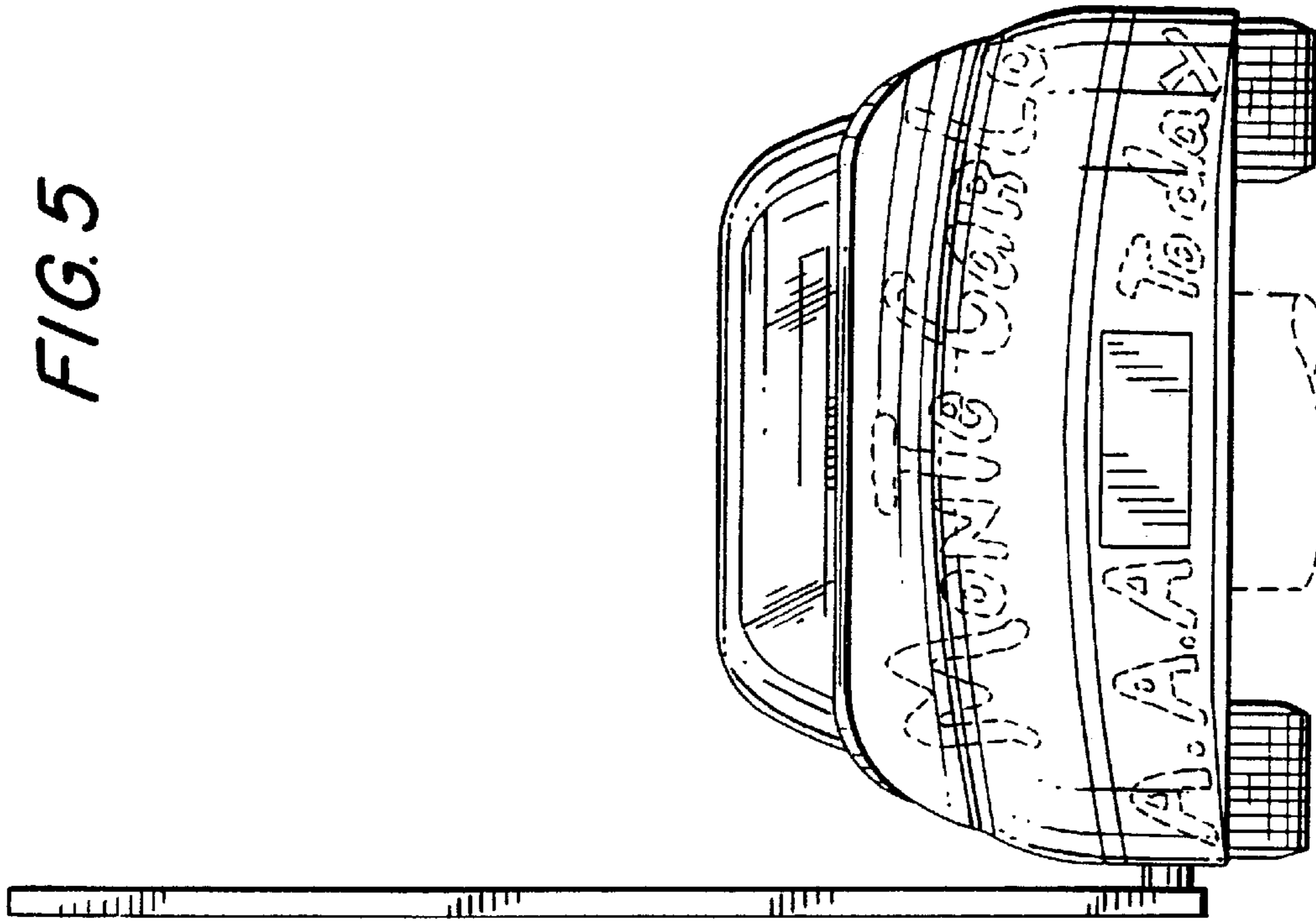
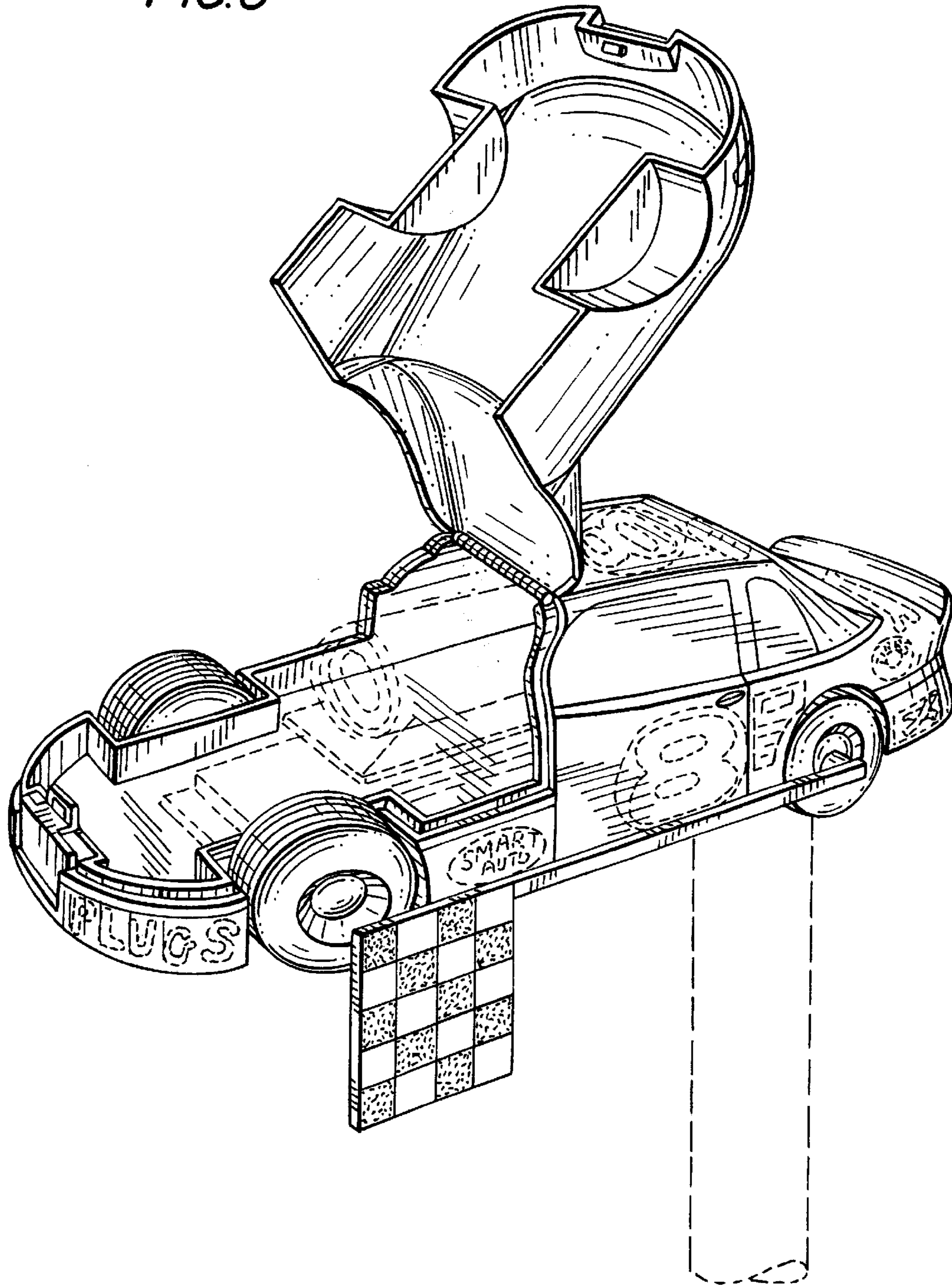


FIG. 4

FIG. 6



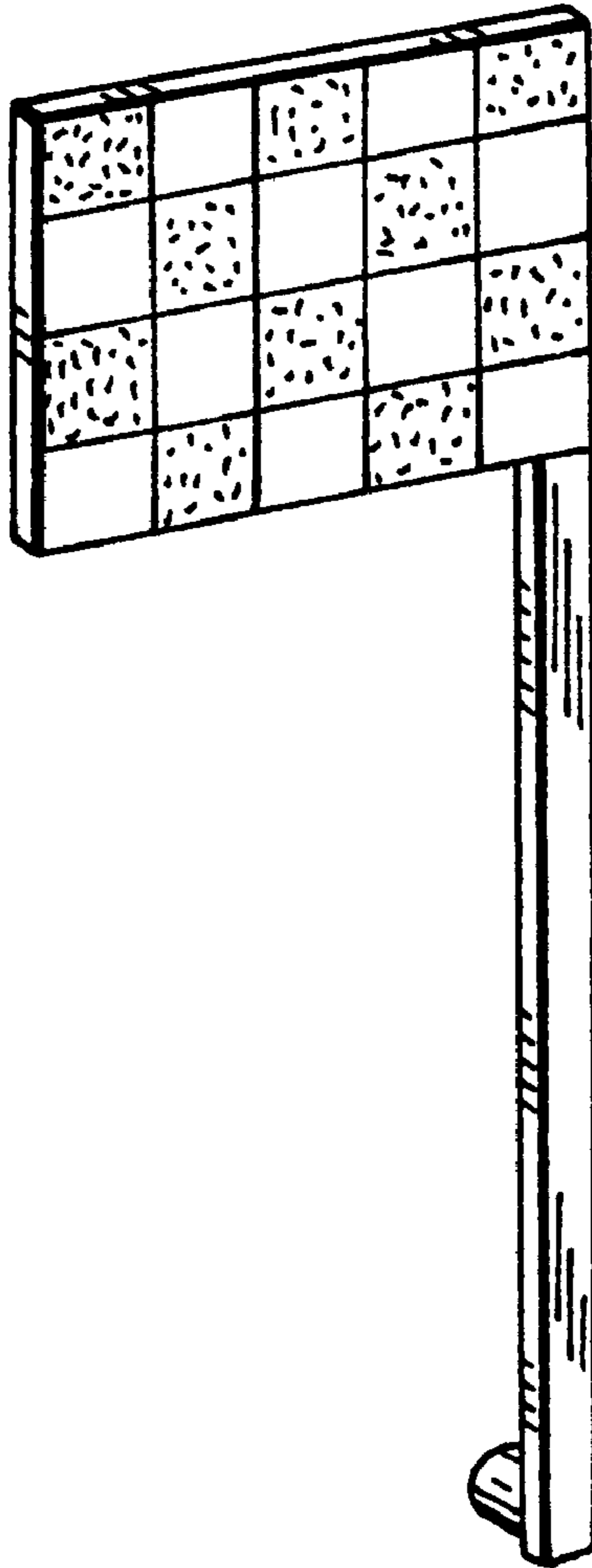


FIG. 7