



US00D511231S

(12) **United States Design Patent**
Langham et al.

(10) **Patent No.:** **US D511,231 S**

(45) **Date of Patent:** **** Nov. 1, 2005**

(54) **ATTACHMENT FOR CLEANING APPLIANCE**

(75) Inventors: **Simon Nicholad Langham**, Corsham (GB); **David Benjamin Smith**, Reston (GB)

(73) Assignee: **Dyson Limited**, Wiltshire (GB)

(**) Term: **14 Years**

(21) Appl. No.: **29/197,751**

(22) Filed: **Jan. 21, 2004**

(30) **Foreign Application Priority Data**

Jul. 23, 2003 (GB) 3013769

(51) **LOC (8) Cl.** **15-05**

(52) **U.S. Cl.** **D32/33**

(58) **Field of Search** D32/22, 30-34; 15/320-321, 347, 350-351, 353, 361, 410, 412, 414, 246.2, DIG. 8; 55/318, 337, 400, DIG. 3, 429, 459.1, 345, 447; 95/271, 268; 210/512.1, 512.2

(56) **References Cited**

U.S. PATENT DOCUMENTS

D333,021 S * 2/1993 Breur D32/32

D333,022 S * 2/1993 Kramer et al. D32/32
D427,737 S * 7/2000 Dyson et al. D32/32
D449,724 S * 10/2001 Nighy et al. D32/32
D456,967 S * 5/2002 Santiago D32/32
D460,231 S * 7/2002 Bagwell et al. D32/32
D487,828 S * 3/2004 Iike et al. D32/32

* cited by examiner

Primary Examiner—Ruth McInroy

(74) *Attorney, Agent, or Firm*—Morrison & Foerster LLP

(57) **CLAIM**

We claim the ornamental design for an attachment for cleaning appliance, as shown and described.

DESCRIPTION

FIG. 1 is a front perspective view of an attachment for a cleaning appliance showing our new design;

FIG. 2 is a front view thereof;

FIG. 3 is a rear view thereof;

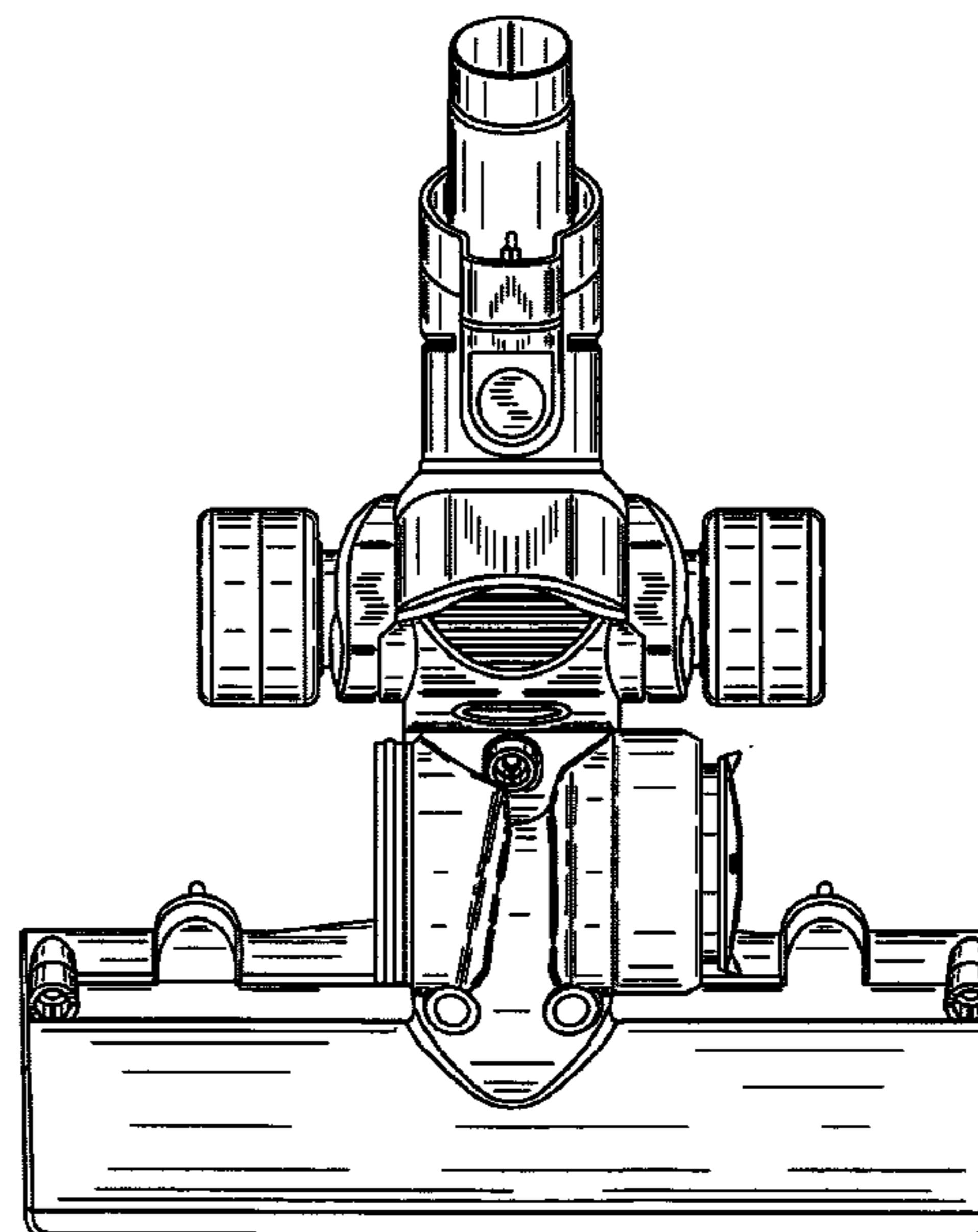
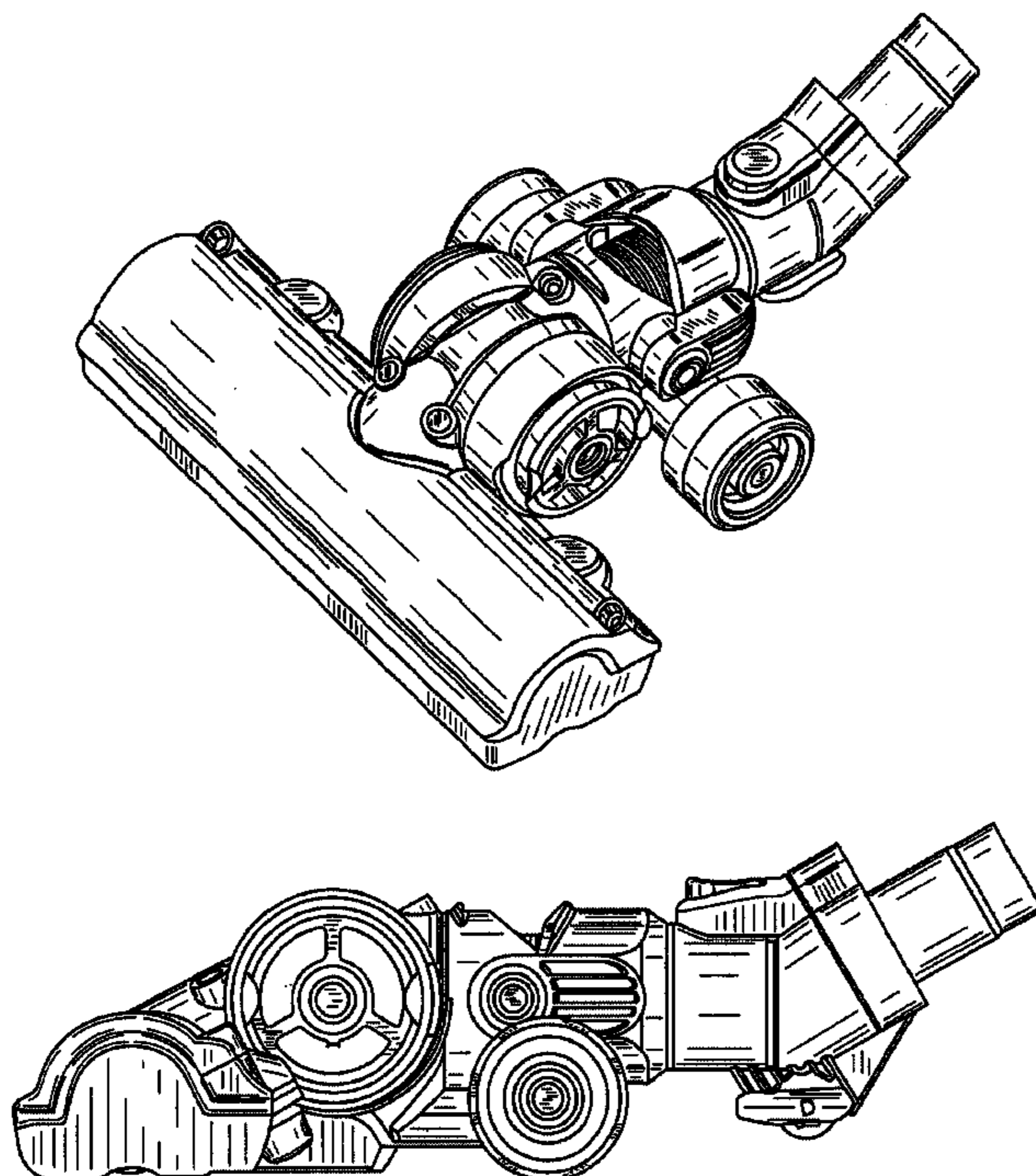
FIG. 4 is a right side view thereof;

FIG. 5 is a left side view thereof;

FIG. 6 is a top plan view thereof; and,

FIG. 7 is a bottom plan view thereof.

1 Claim, 7 Drawing Sheets



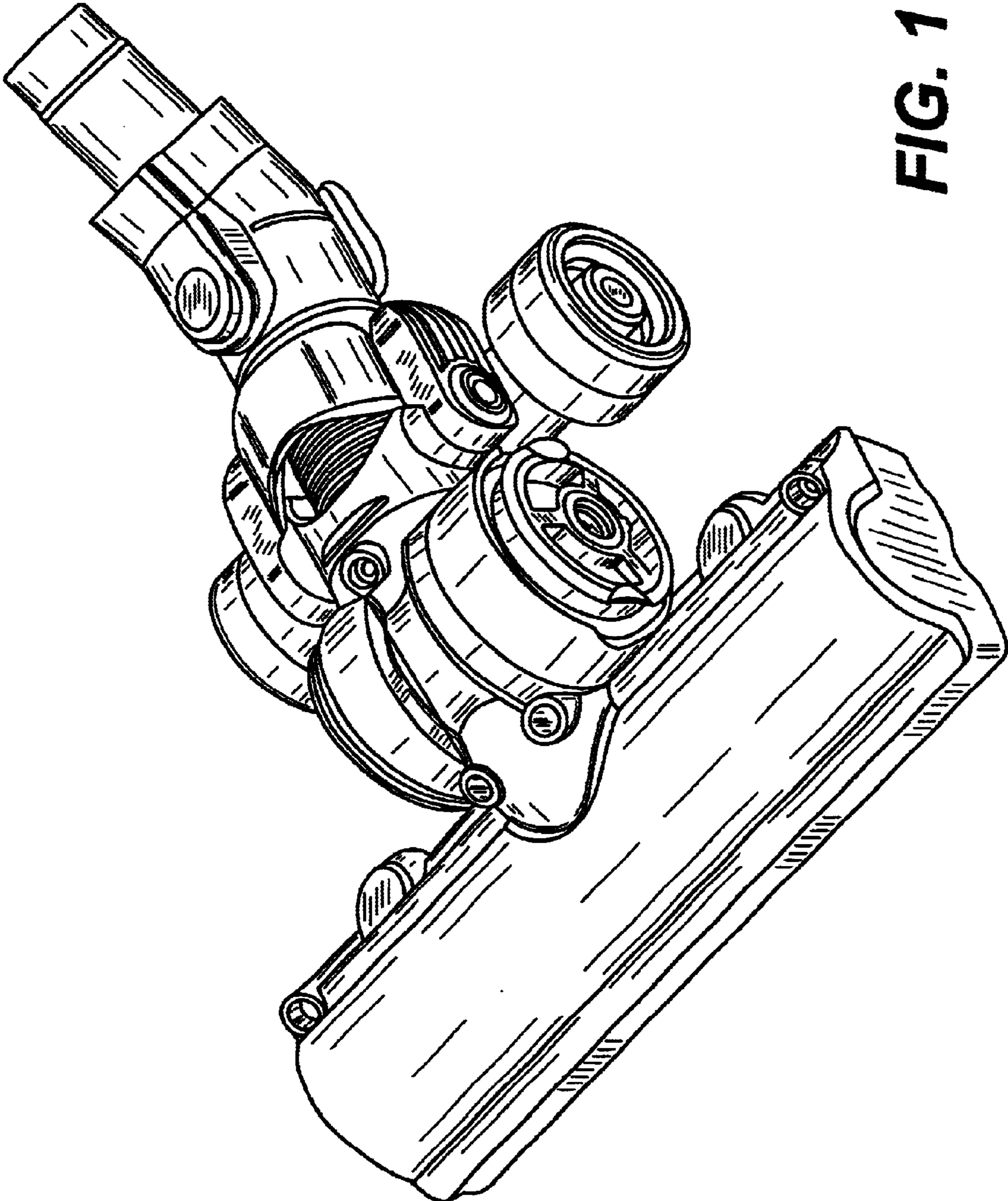


FIG. 1

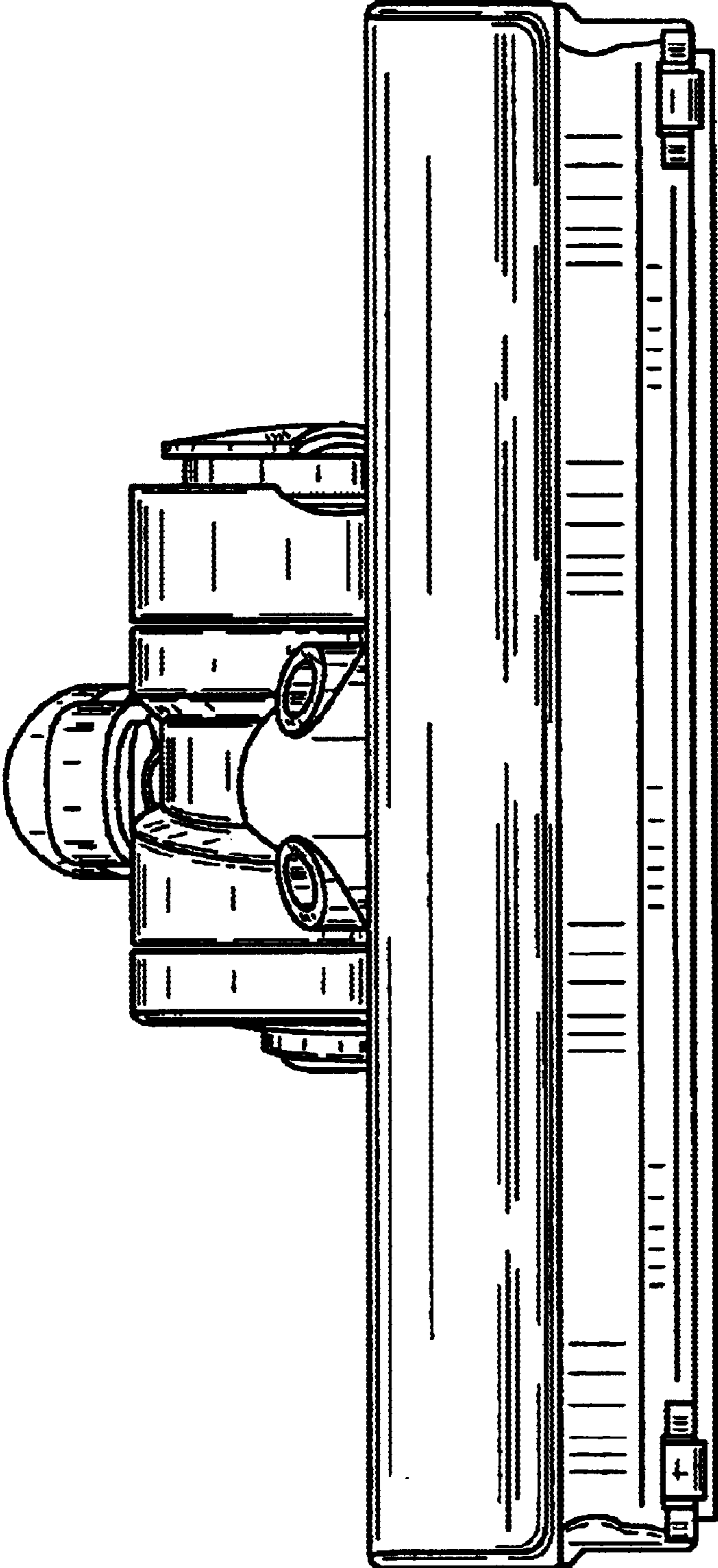


FIG. 2

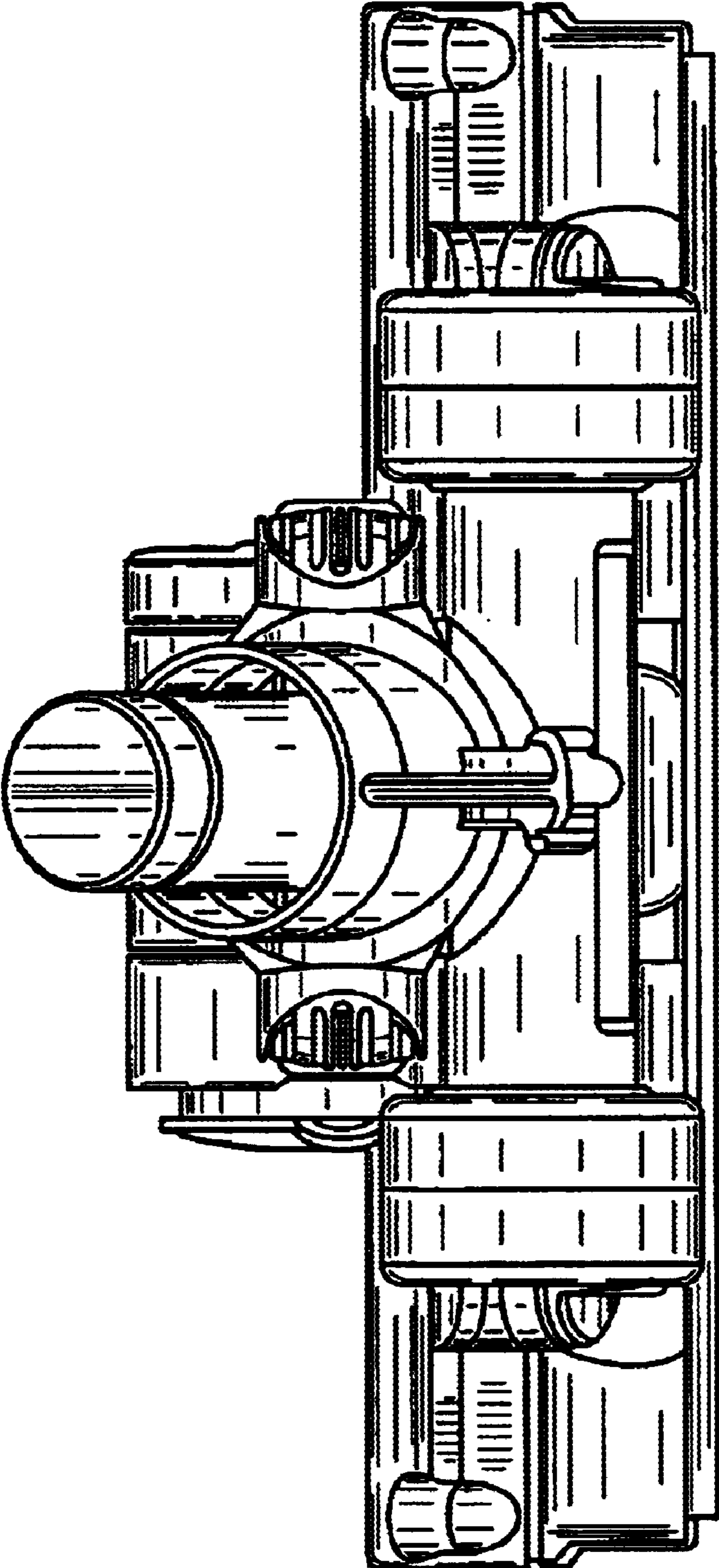


FIG. 3

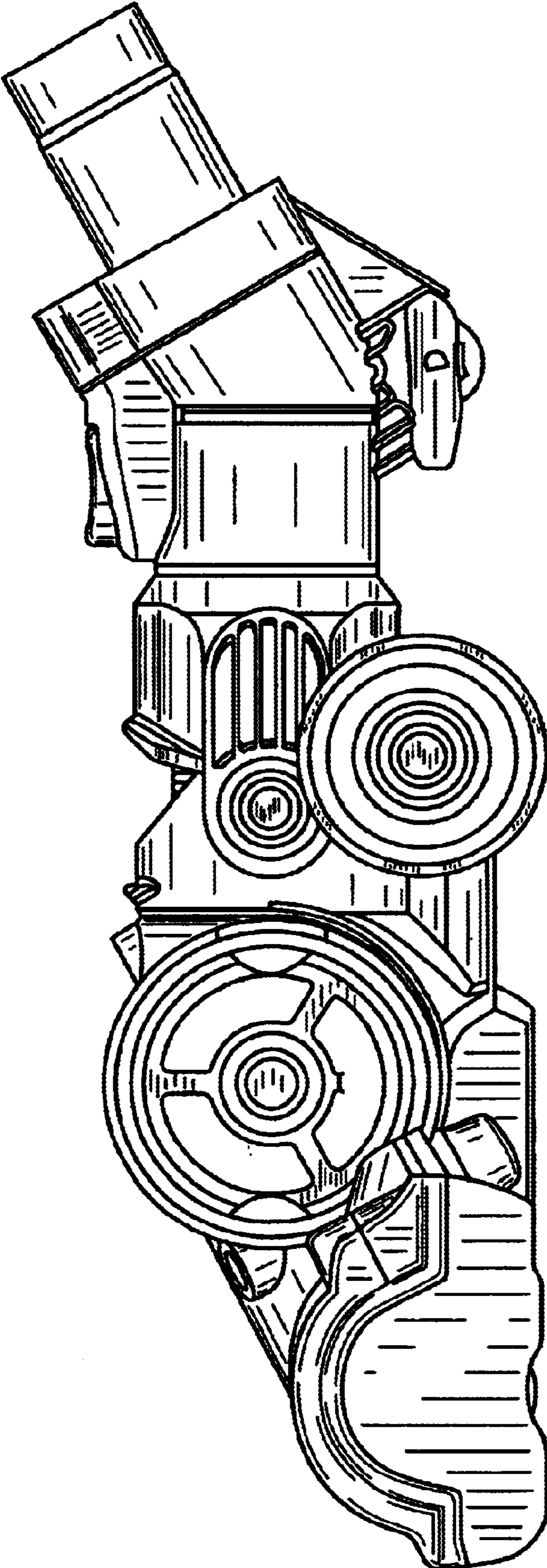


FIG. 4

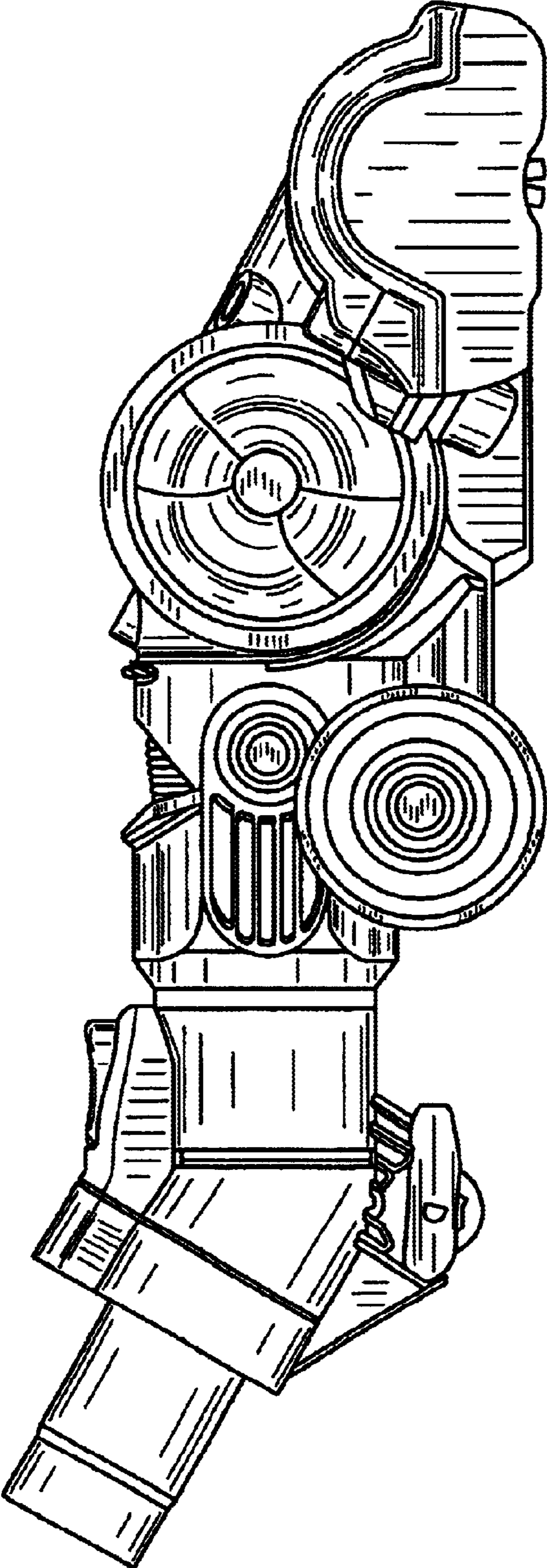


FIG. 5

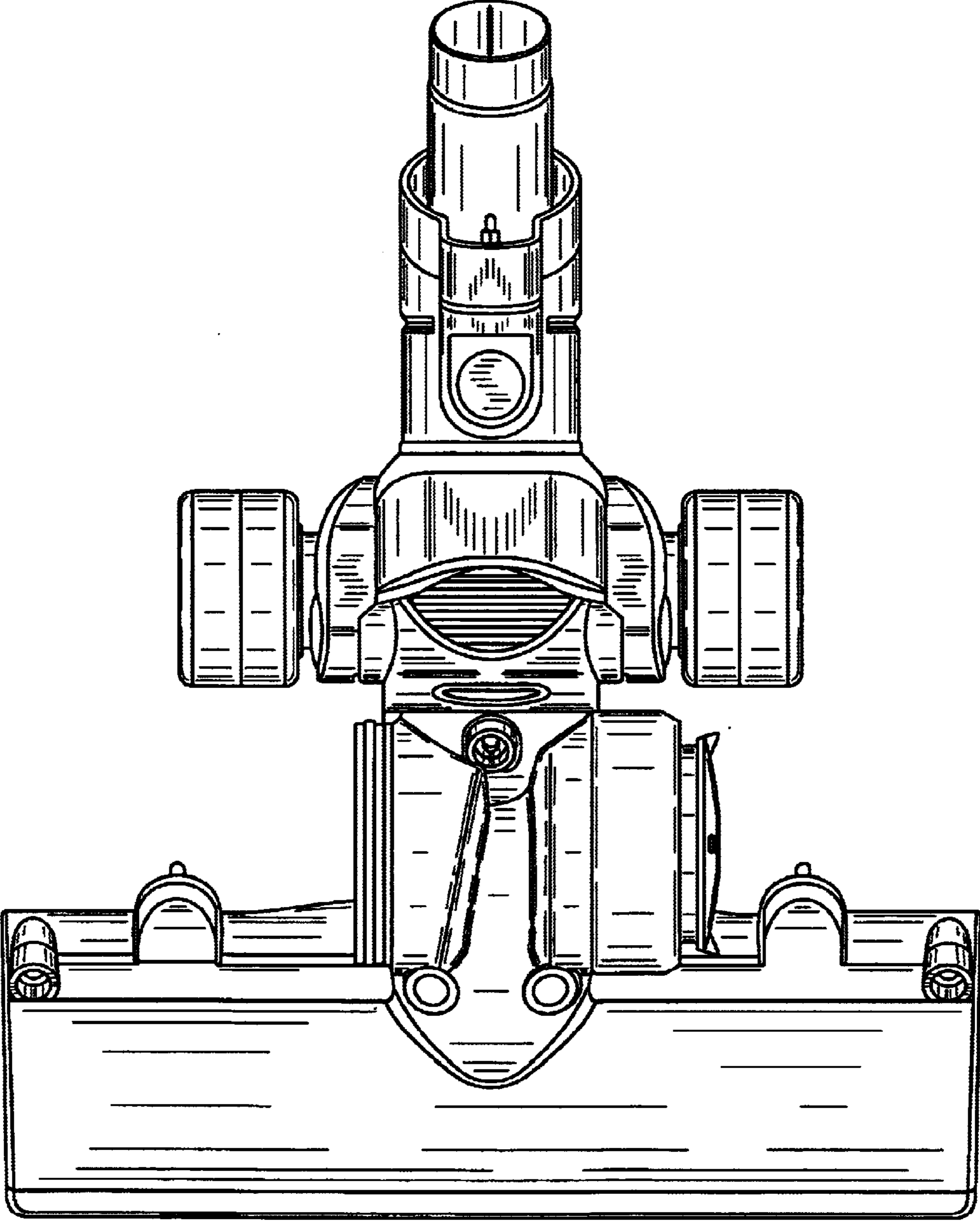


FIG. 6

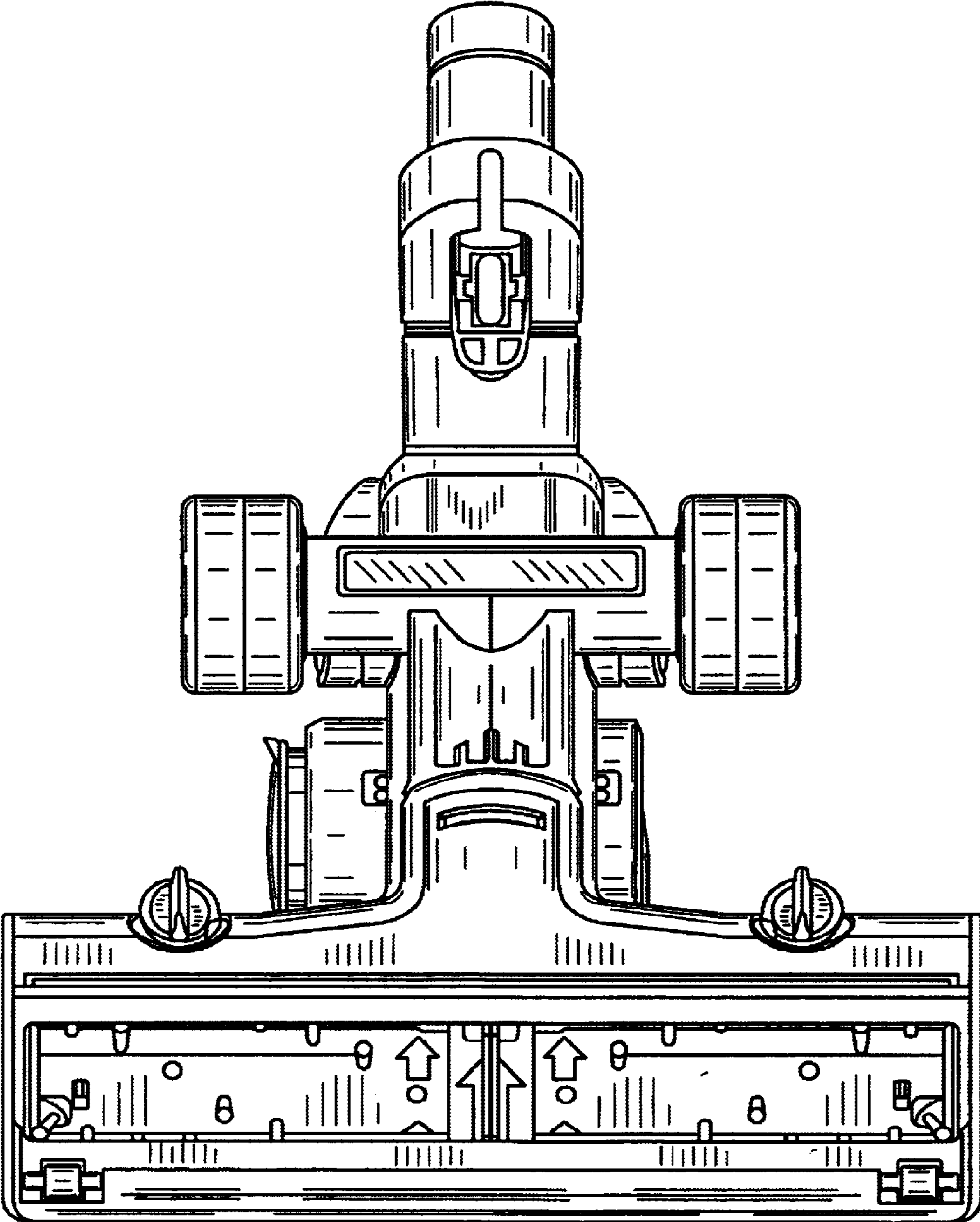


FIG. 7