



US00D511218S

(12) **United States Design Patent**  
**Dominguez**

(10) **Patent No.:** **US D511,218 S**  
(45) **Date of Patent:** **\*\* Nov. 1, 2005**

(54) **FENCE PANEL**

**DESCRIPTION**

- (76) Inventor: **Miguel Dominguez**, 10355 SW. 107 Ter., Miami, FL (US) 33176
- (\*\*) Term: **14 Years**
- (21) Appl. No.: **29/222,333**
- (22) Filed: **Jan. 31, 2005**
- (51) **LOC (8) Cl.** ..... **25-01**
- (52) **U.S. Cl.** ..... **D25/126**
- (58) **Field of Search** ..... D25/38, 126; 256/24, 256/22, 19, 65.02; 52/720.1, 720.2, 301

FIG. 1 is a top plan view of a fence panel showing my new design;  
 FIG. 2 is a bottom plan view thereof;  
 FIG. 3 is a front elevational view of the fence panel on a reduced scale;  
 FIG. 4 is a front elevational view of a section of the fence panel on a reduced scale;  
 FIG. 5 is a rear elevational view of the fence panel on a reduced scale;  
 FIG. 6 is a rear elevational view of a section of the fence panel on an enlarged scale;  
 FIG. 7 is a right side elevational view of the fence panel on a reduced scale;  
 FIG. 8 is a right side perspective view of a section of the fence panel on an enlarged scale;  
 FIG. 9 is a left side elevational view of the fence panel on a reduced scale;  
 FIG. 10 is a left side perspective view of a section of the fence panel on an enlarged scale; and,  
 FIG. 11 is a perspective view of a fence panel on a reduced scale in condition of use with a plurality of like fence panels with fence posts and secured by nails.  
 The broken lines are for environmental purposes only and form no part of the claimed design.

(56) **References Cited**

**U.S. PATENT DOCUMENTS**

- D423,684 S \* 4/2000 Olivera et al. .... D25/43
- 6,588,732 B1 \* 7/2003 Caceres et al. .... 256/19

\* cited by examiner

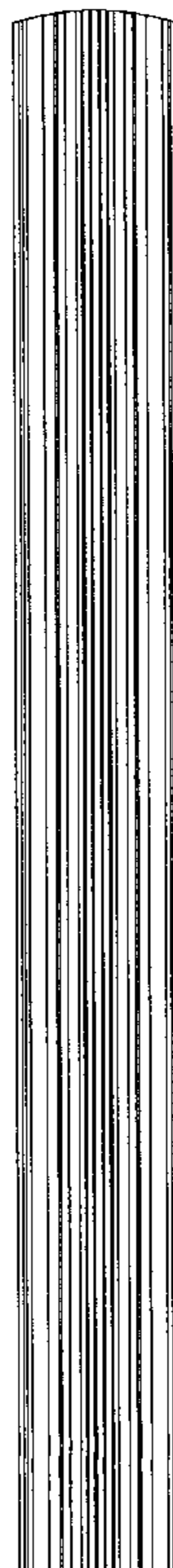
*Primary Examiner*—Doris Clark

(74) *Attorney, Agent, or Firm*—Albert Bordas; Jesus Sanchelima

(57) **CLAIM**

The ornamental design for fence panel, as shown and described.

**1 Claim, 3 Drawing Sheets**



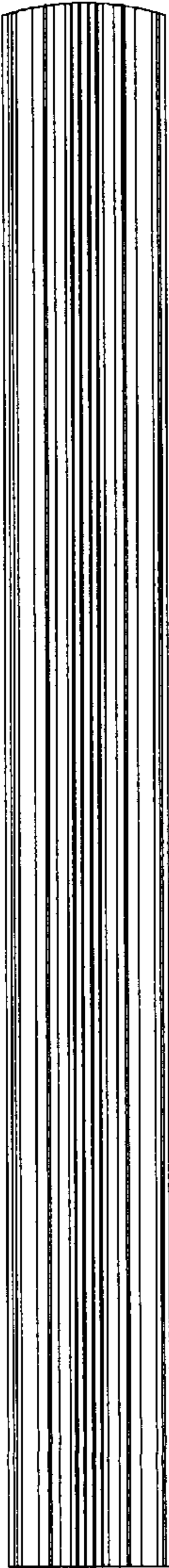
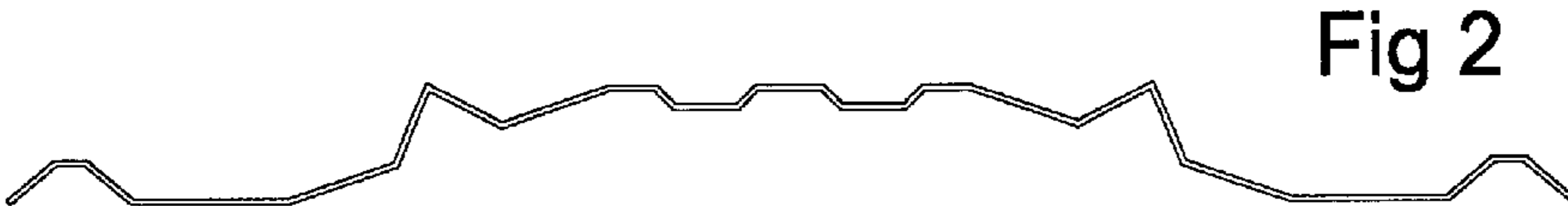
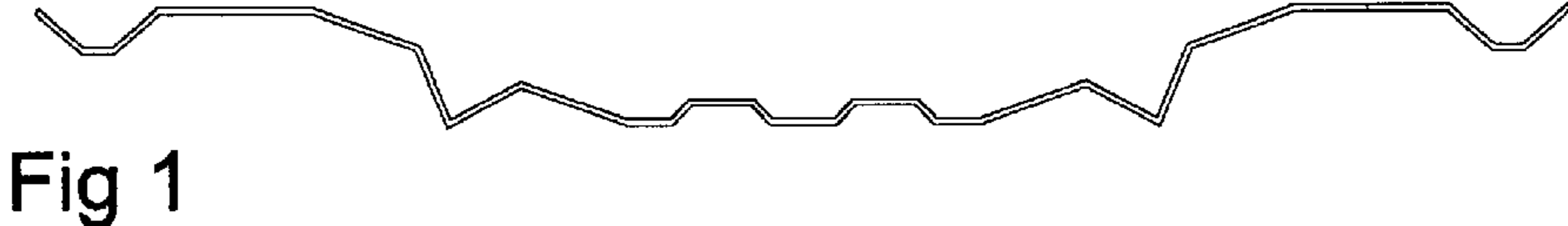
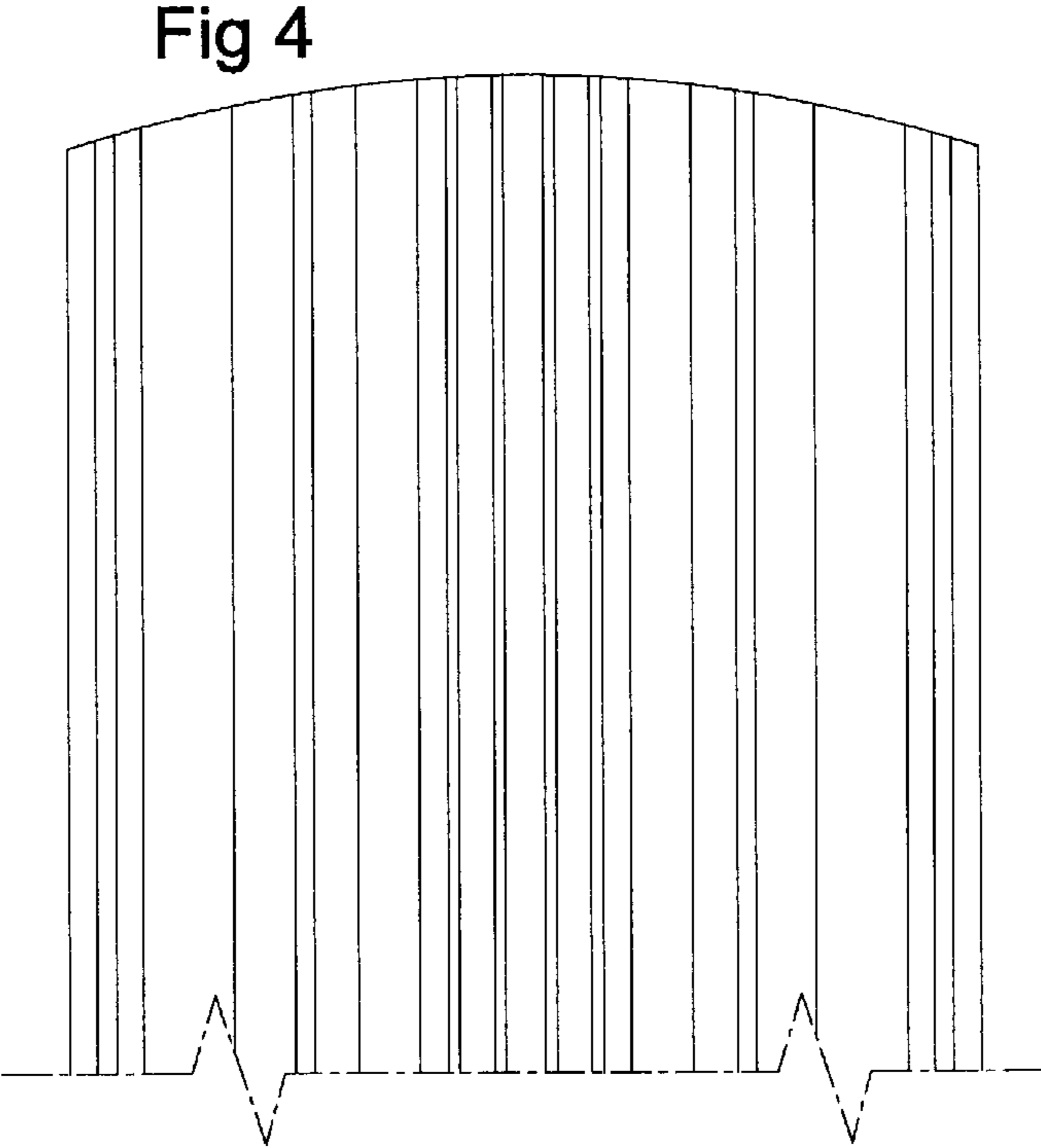


Fig 3



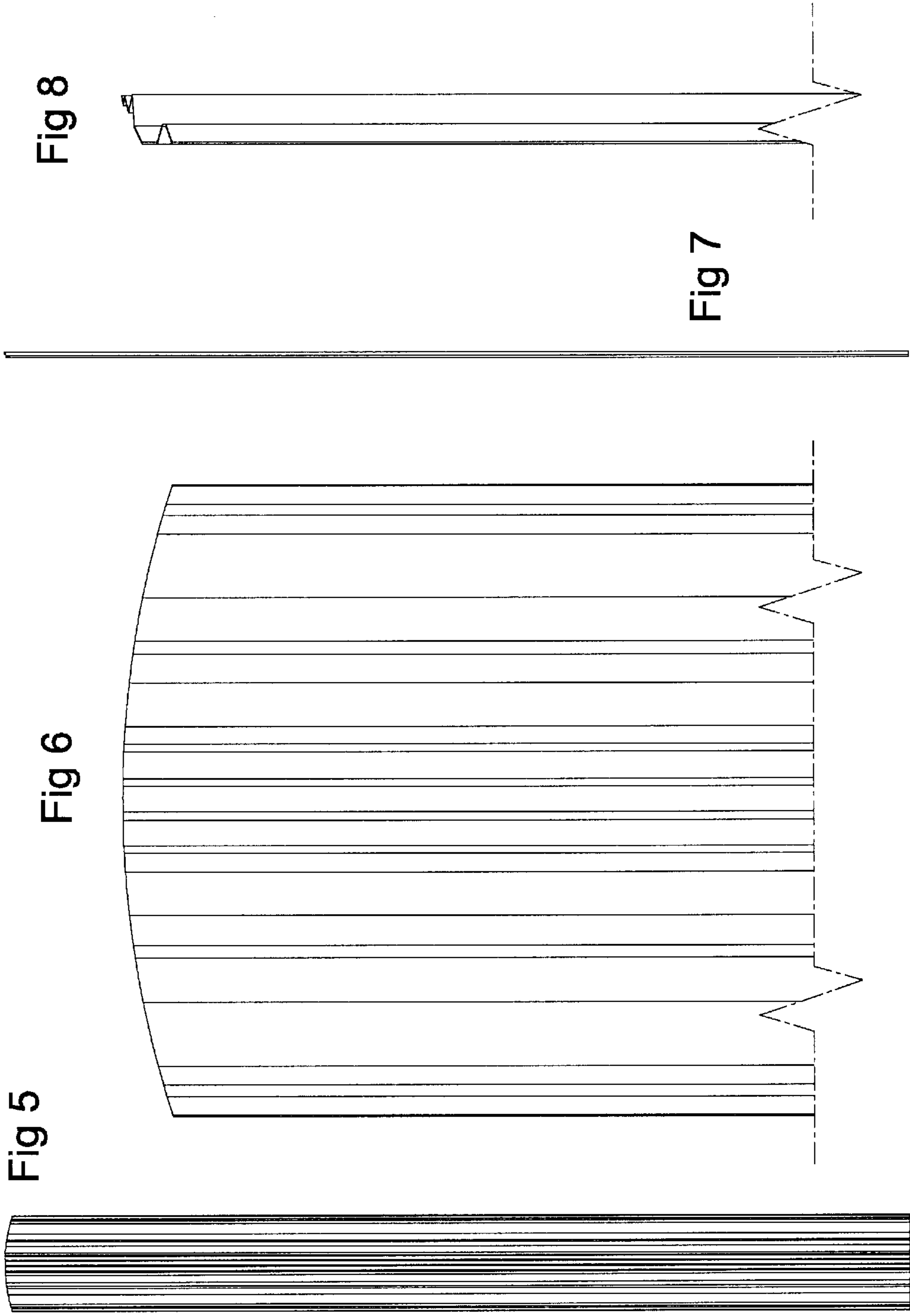


Fig 11

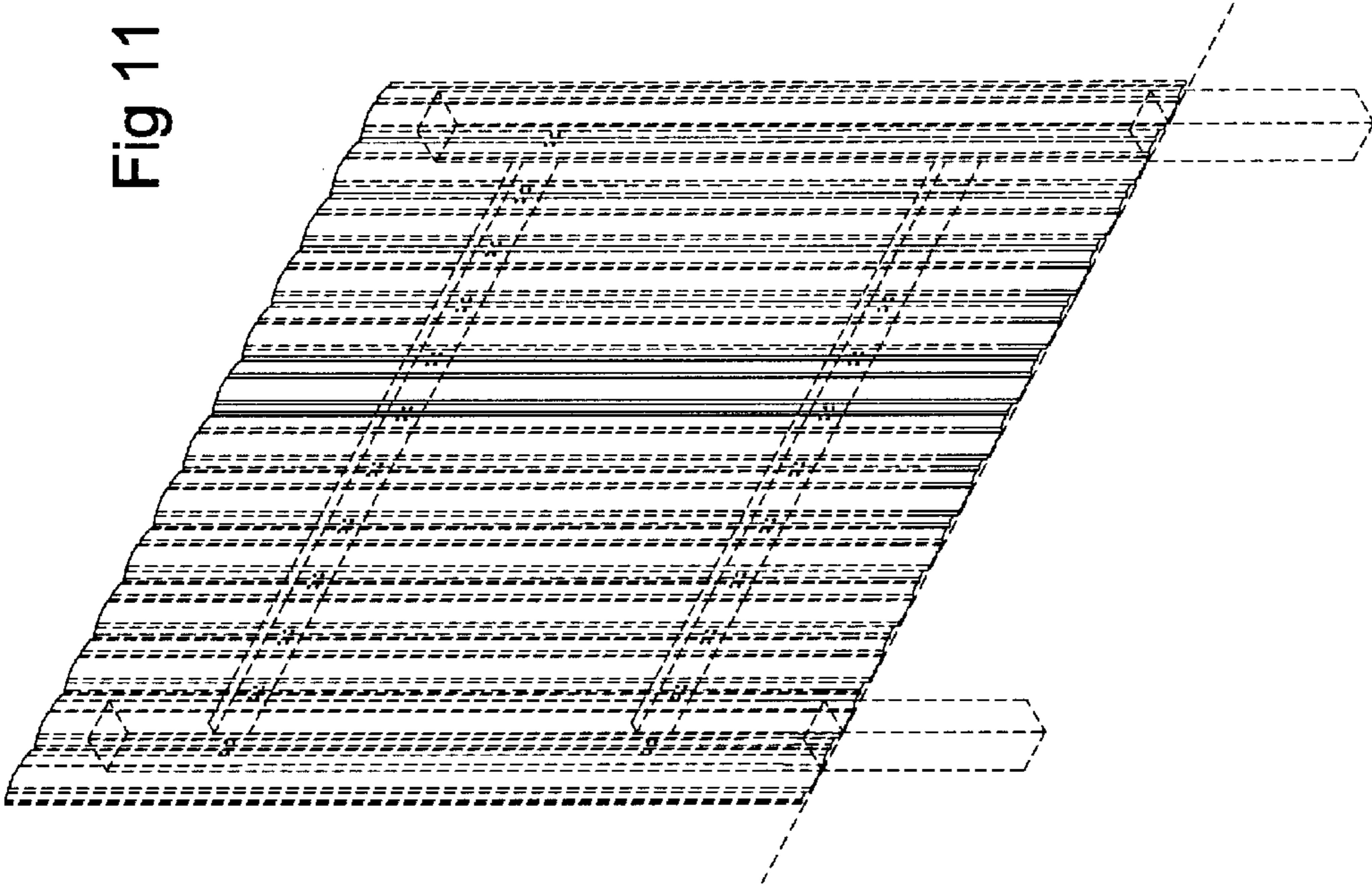


Fig 10

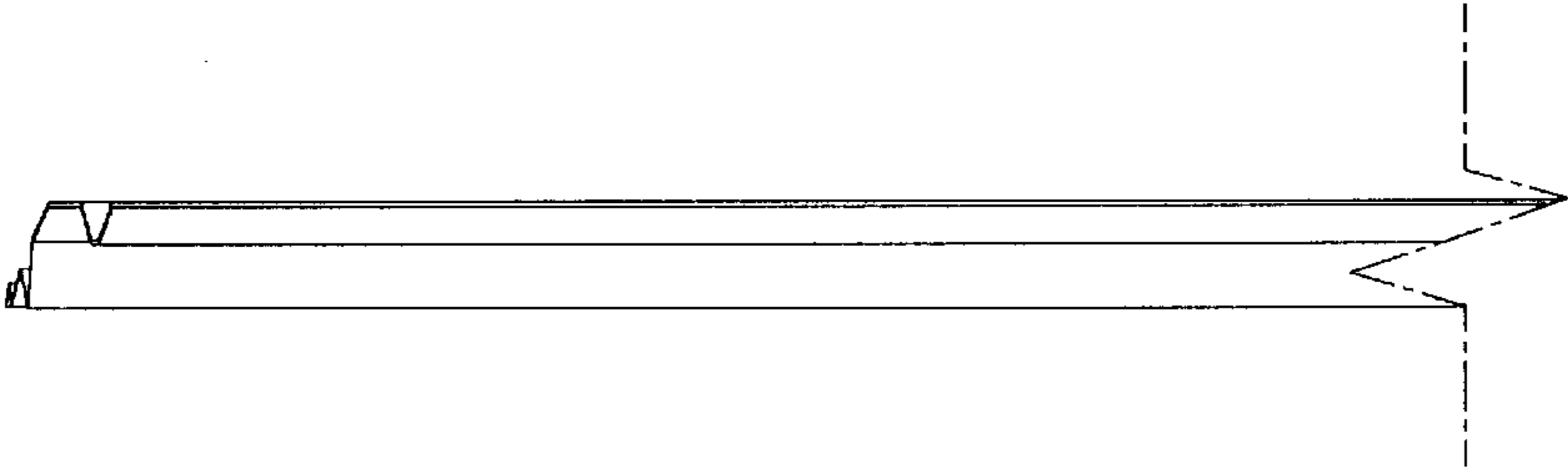


Fig 9

