



US00D511211S

(12) **United States Design Patent** (10) **Patent No.:** **US D511,211 S**
Dixon et al. (45) **Date of Patent:** **** Nov. 1, 2005**

(54) **HIGH PRESSURE MEDICAL DISPENSER**
(75) Inventors: **Chris G. Dixon**, Bloomington, IN (US); **Scott K. Philhower**, Bloomington, IN (US); **Gregory A. Frankland**, Unionville, IN (US); **David G. Burton**, Bloomington, IN (US)
(73) Assignee: **Cook Incorporated**, Bloomington, IN (US)
(**) Term: **14 Years**
(21) Appl. No.: **29/202,488**
(22) Filed: **Mar. 31, 2004**
(51) **LOC (8) Cl.** **24-02**
(52) **U.S. Cl.** **D24/114**
(58) **Field of Search** D24/112-114, D24/133, 146, 152, 176; 222/175, 390; 604/208-211, 223, 224, 227, 235, 241; 433/125, 88-90, 224; 606/94

5,383,865 A 1/1995 Michel
5,456,388 A 10/1995 Honstein et al.
5,603,701 A 2/1997 Fischer
5,618,273 A 4/1997 Fischer
D383,839 S * 9/1997 Sullivan D24/113
5,833,653 A 11/1998 Vetter et al.
5,865,804 A 2/1999 Bachynsky
5,971,953 A 10/1999 Bachynsky
6,001,106 A 12/1999 Ryan et al.
D419,236 S * 1/2000 Carlson et al. D24/114
6,149,626 A 11/2000 Bachynsky et al.
6,348,055 B1 2/2002 Preissman
6,383,190 B1 5/2002 Preissman
D470,934 S * 2/2003 Pierson et al. D24/114
6,569,122 B2 5/2003 Fischer et al.
6,599,293 B2 * 7/2003 Tague et al. 606/94
6,638,065 B2 10/2003 Fischer et al.
D484,239 S * 12/2003 Anderson D24/114
6,676,664 B1 1/2004 Al-Assir
2002/0156483 A1 10/2002 Voellmicke

* cited by examiner

Primary Examiner—Ian Simmons
Assistant Examiner—Daniel Yu
(74) *Attorney, Agent, or Firm*—Brinks Hofer Gilson & Lione

(56) **References Cited**
U.S. PATENT DOCUMENTS

4,312,343 A 1/1982 LeVeen et al.
4,449,645 A 5/1984 Korwin et al.
D274,838 S 7/1984 Shadwell
4,568,335 A 2/1986 Updike et al.
4,592,746 A 6/1986 Burkholder et al.
D287,877 S 1/1987 Holewinski et al.
4,723,938 A 2/1988 Goodin et al.
4,874,381 A 10/1989 Vetter
4,940,459 A 7/1990 Noce
5,080,649 A 1/1992 Vetter
5,137,514 A 8/1992 Ryan
5,160,327 A 11/1992 Stines
5,213,115 A 5/1993 Zytkevich et al.
5,306,248 A 4/1994 Barrington
5,336,183 A 8/1994 Greelis et al.
5,376,071 A 12/1994 Henderson

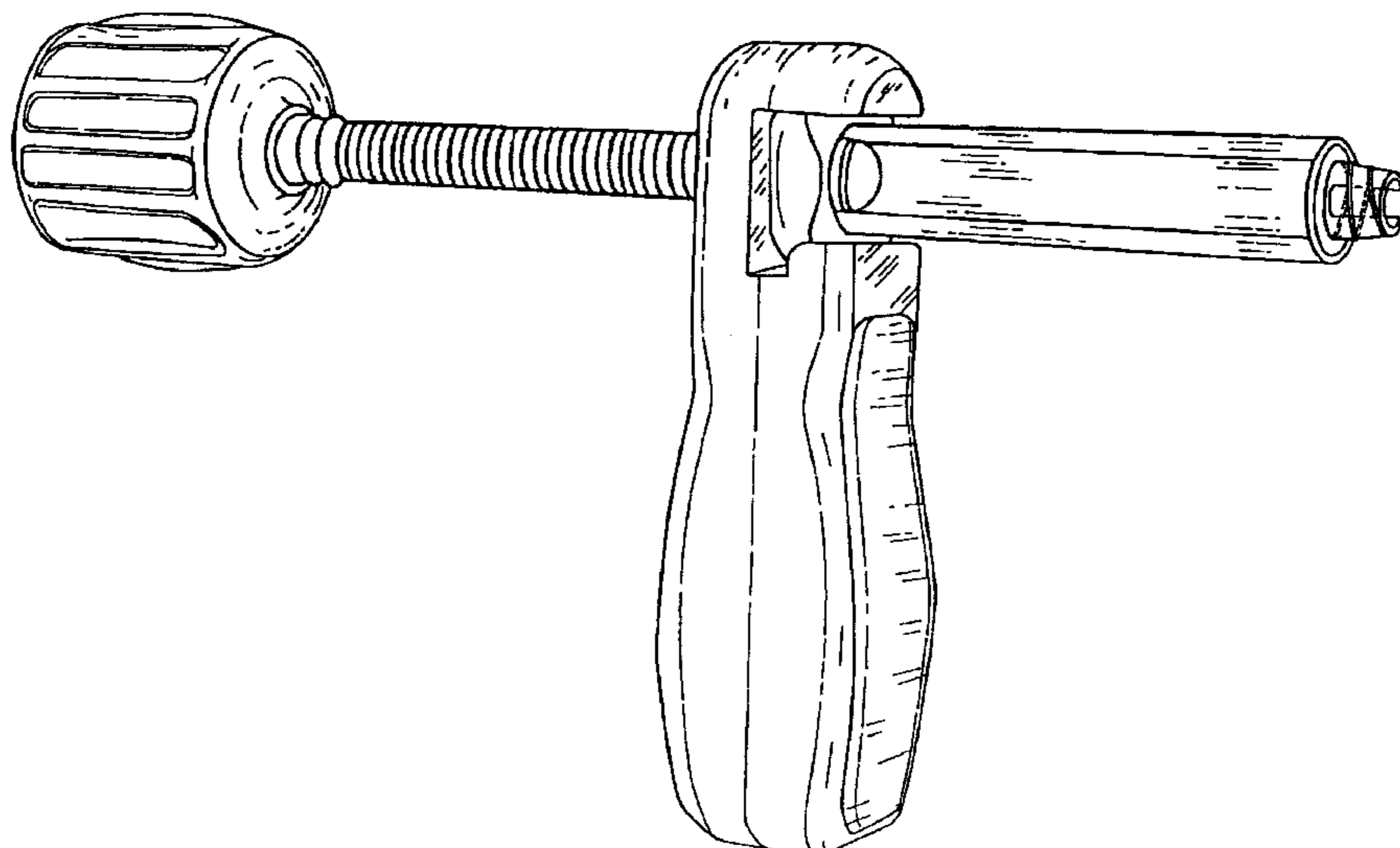
(57) **CLAIM**

The ornamental design for a high pressure medical dispenser, as shown and described.

DESCRIPTION

FIG. 1 is a perspective view of a high pressure medical dispenser, showing our new, original and ornamental design; FIG. 2 is a right side elevational view thereof; FIG. 3 is a top plan view thereof; FIG. 4 is a left side elevational view thereof; FIG. 5 is a bottom plan view thereof; FIG. 6 is a rear elevational view thereof; and, FIG. 7 is a front elevational view thereof.

1 Claim, 4 Drawing Sheets



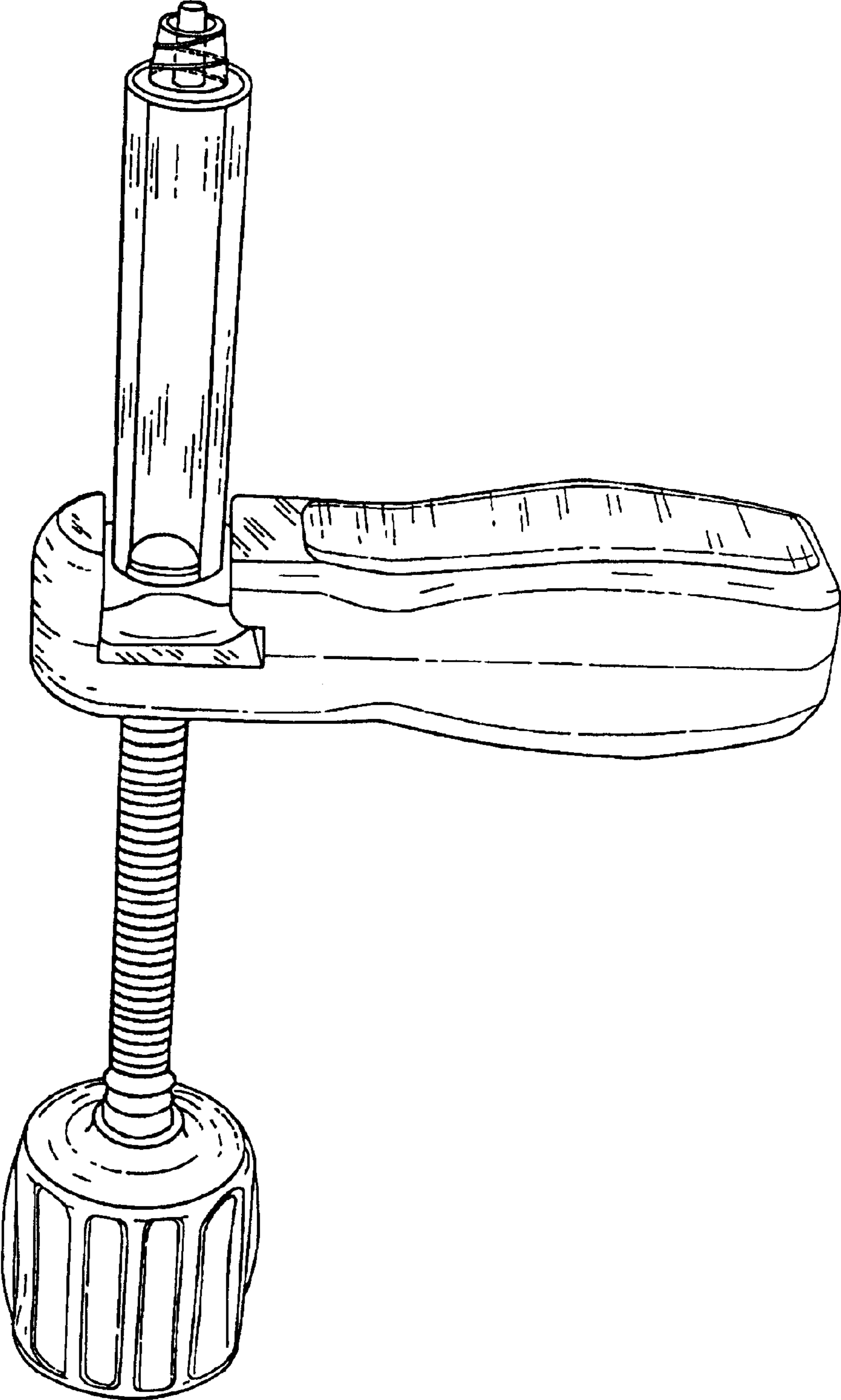
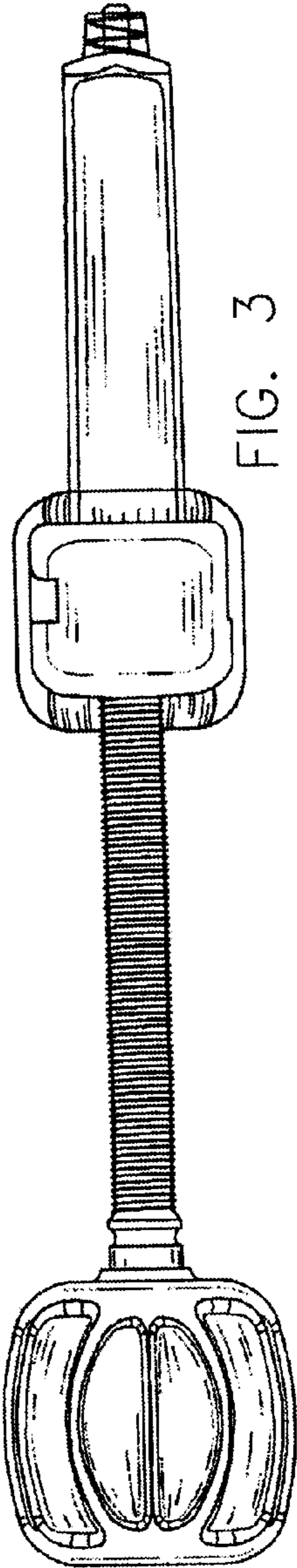
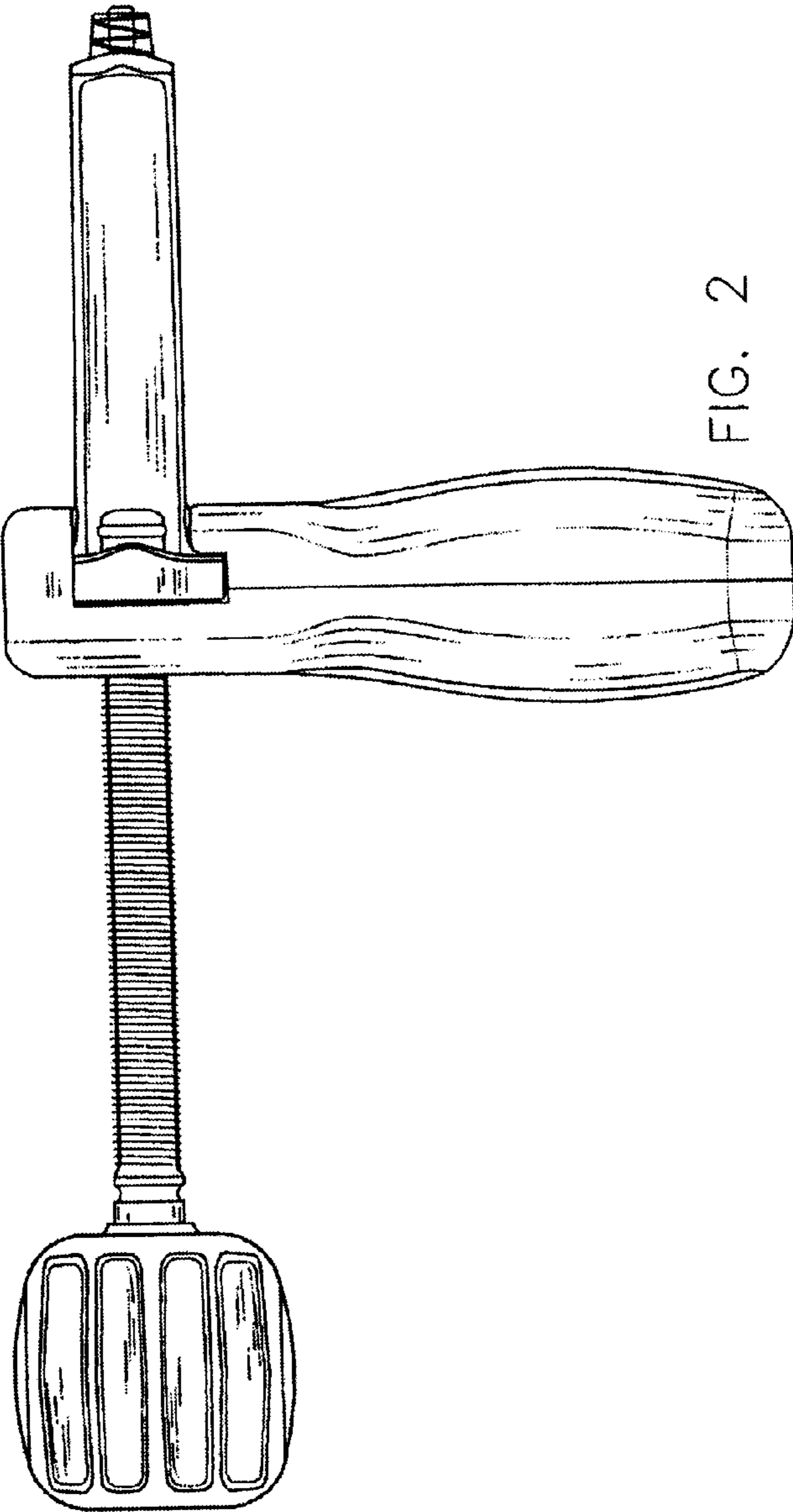


FIG. 1



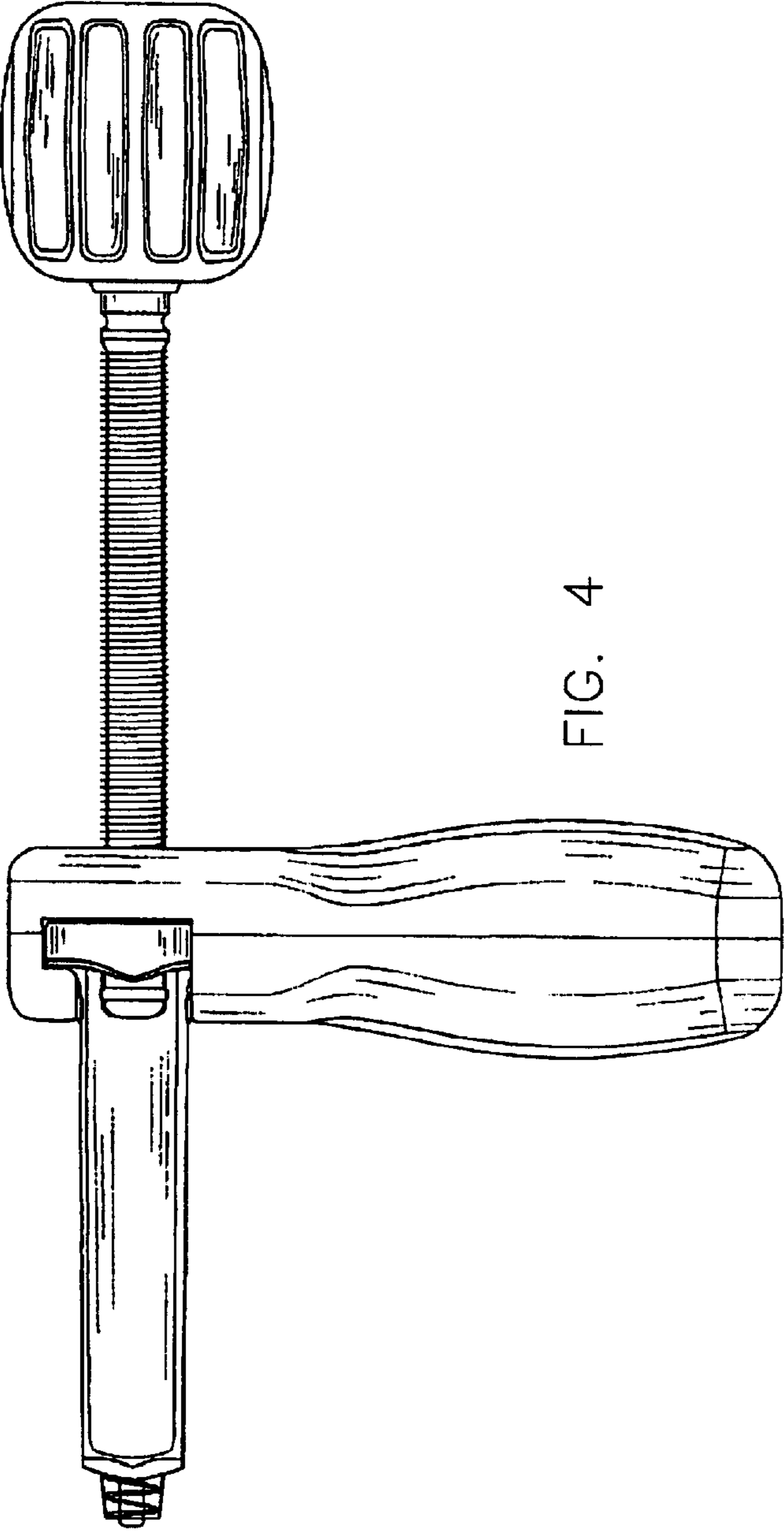


FIG. 4

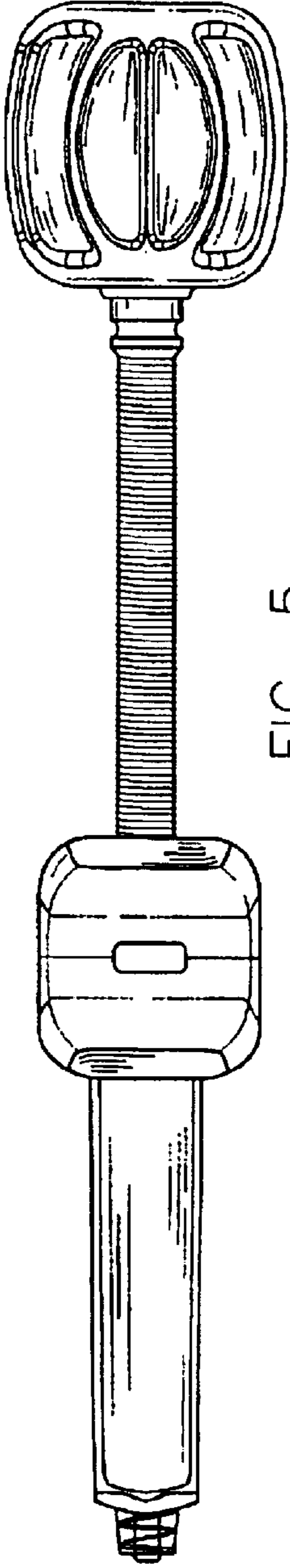


FIG. 5

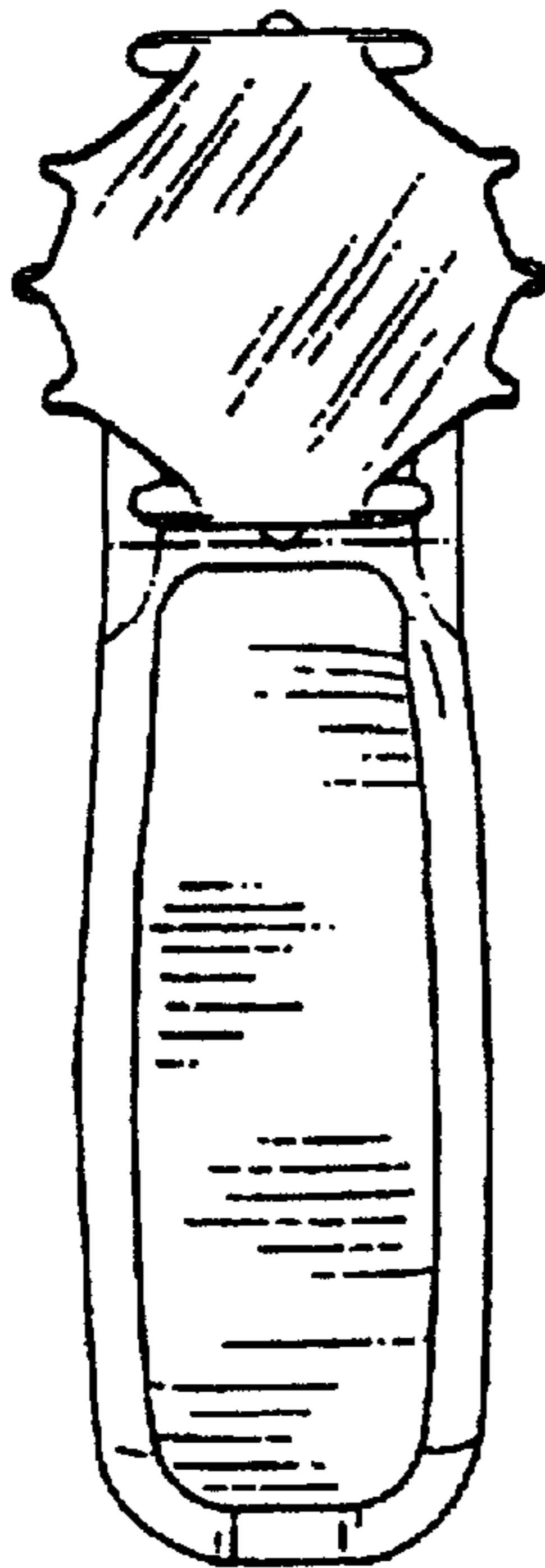


FIG. 6

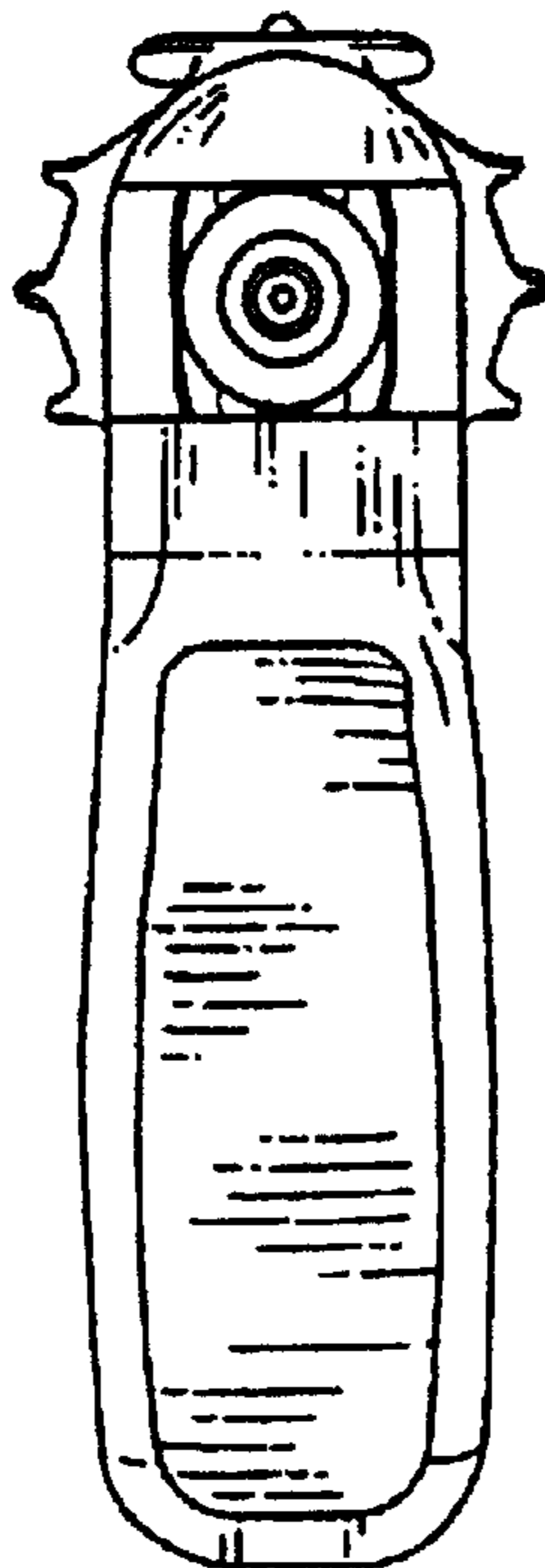


FIG. 7