



US00D511208S

(12) **United States Design Patent**
Pardonge et al.

(10) **Patent No.:** **US D511,208 S**

(45) **Date of Patent:** **** Nov. 1, 2005**

(54) **METERED DOSE INHALER**

2004/0089292 A1 * 5/2004 Pollet et al. 128/200.23

(75) Inventors: **Jean-Marc Pardonge**, Les Authieux
S/Port St Ouen (FR); **Armando**
Lourenco, Noyelle-Godault (FR)

* cited by examiner

Primary Examiner—Ian Simmons

(74) *Attorney, Agent, or Firm*—Sughrue Mion, PLLC

(73) Assignee: **Valois SAS**, Neubourg (FR)

(57) **CLAIM**

(**) Term: **14 Years**

The ornamental design for a metered dose inhaler, as shown.

(21) Appl. No.: **29/192,403**

DESCRIPTION

(22) Filed: **Oct. 24, 2003**

(51) **LOC (8) Cl.** **29-02**

(52) **U.S. Cl.** **D24/110**

(58) **Field of Search** D24/110; 128/203.12,
128/203.15, 205.23, 200.23, 200.21, 200.12,
200.14

FIG. 1 is a perspective view of front and left side of a metered dose inhaler showing our new design;

FIG. 2 is a perspective view of the front and right side thereof;

FIG. 3 is an exploded perspective view thereof;

FIG. 4 is a perspective view similar to FIG. 2 with one cover member removed;

FIG. 5 is a front view thereof;

FIG. 6 is a rear view thereof;

FIG. 7 is a bottom view thereof;

FIG. 8 is a top view thereof;

FIG. 9 is a left side view thereof; and,

FIG. 10 is a right side view thereof.

The colors shown in the photographs form no part of the claimed design.

(56) **References Cited**

U.S. PATENT DOCUMENTS

- 4,576,157 A * 3/1986 Raghuprasad 128/203.15
- 6,041,779 A * 3/2000 Juusela 128/205.23
- D433,502 S * 11/2000 Rand D24/110
- 6,481,438 B1 * 11/2002 Gallem et al. 128/205.23
- 2002/0189611 A1 * 12/2002 Greenwood et al. ... 128/200.23
- 2003/0230304 A1 * 12/2003 Blacker et al. 128/200.23

1 Claim, 5 Drawing Sheets



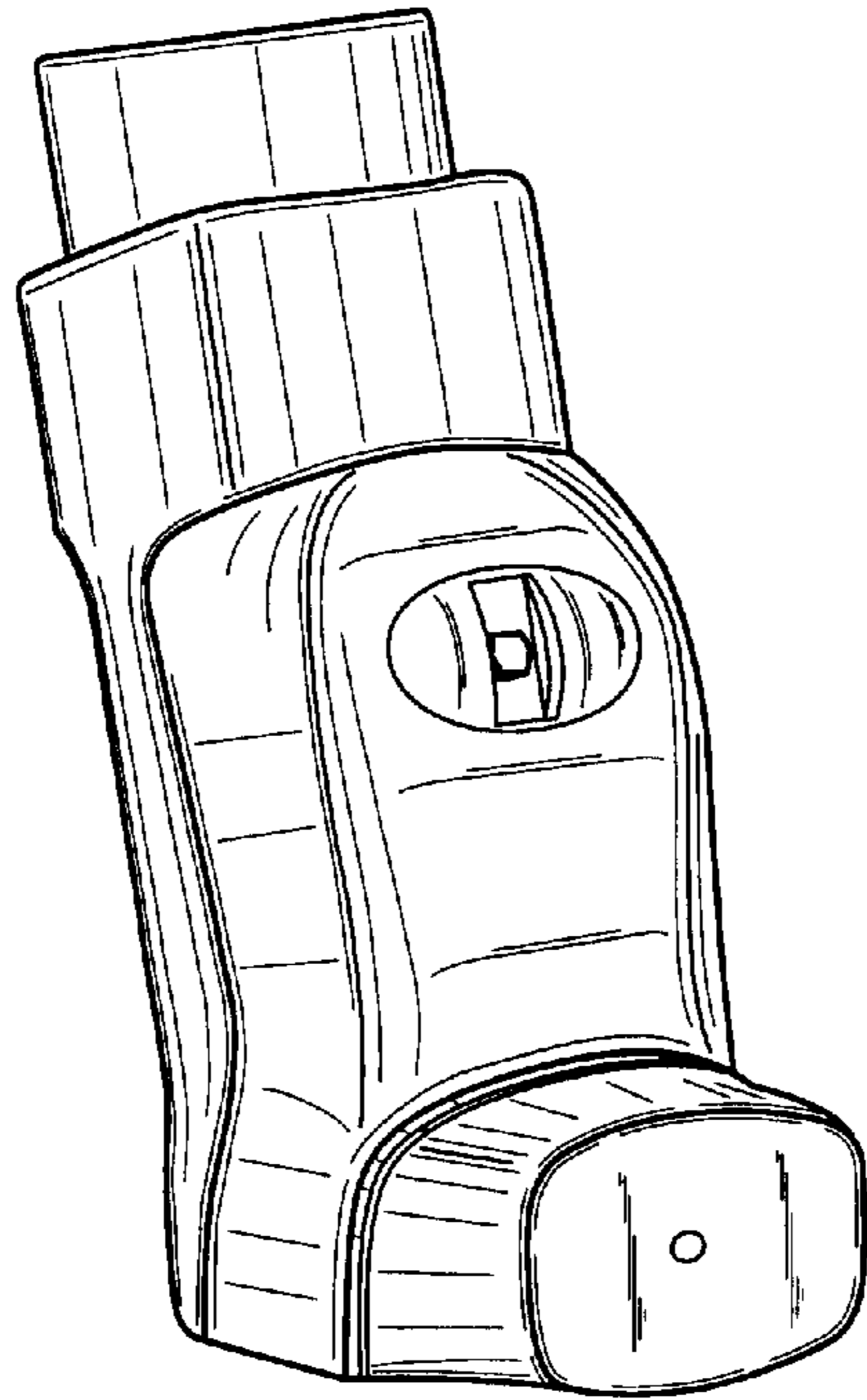


Fig. 1

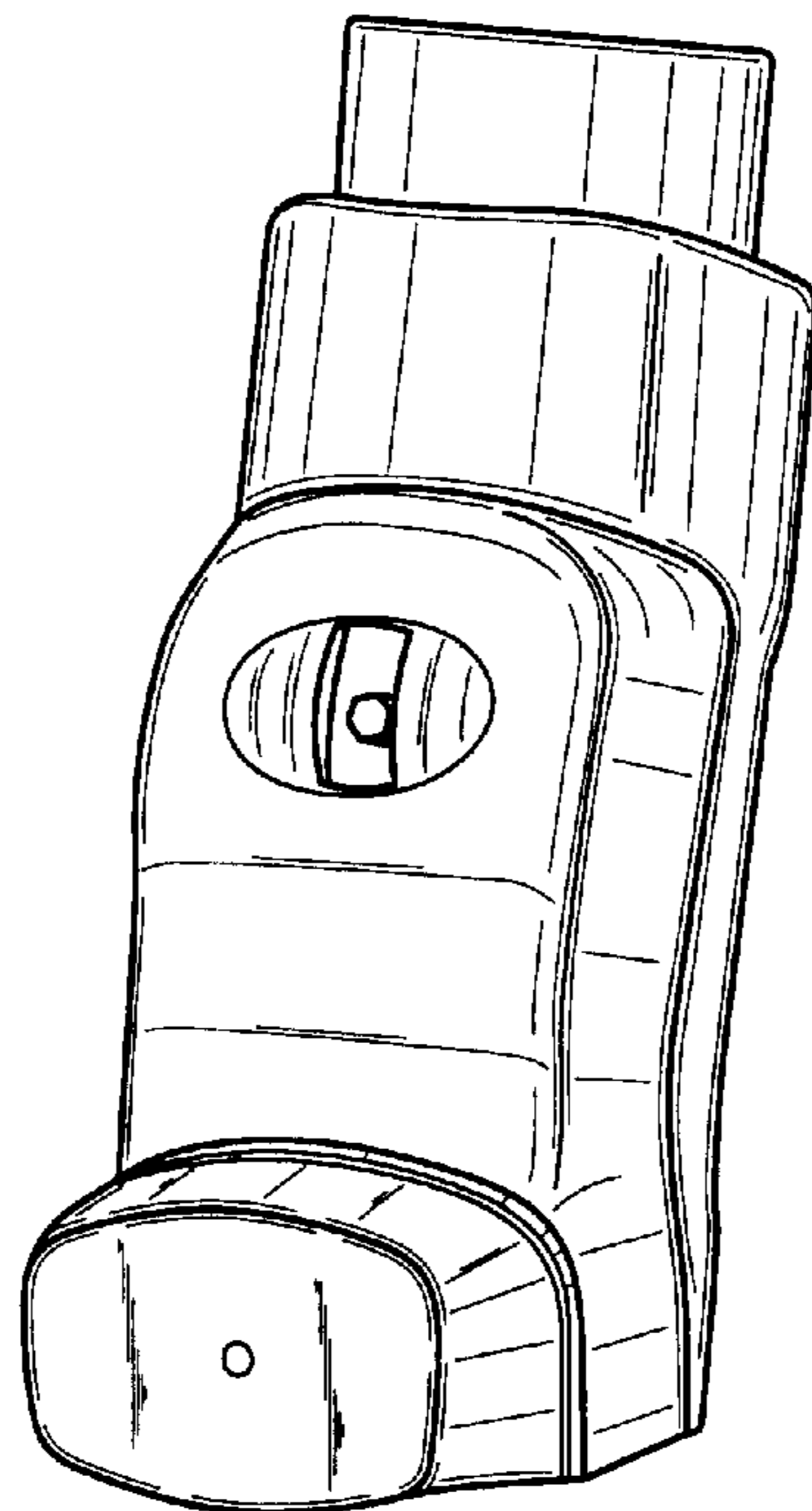


Fig. 2

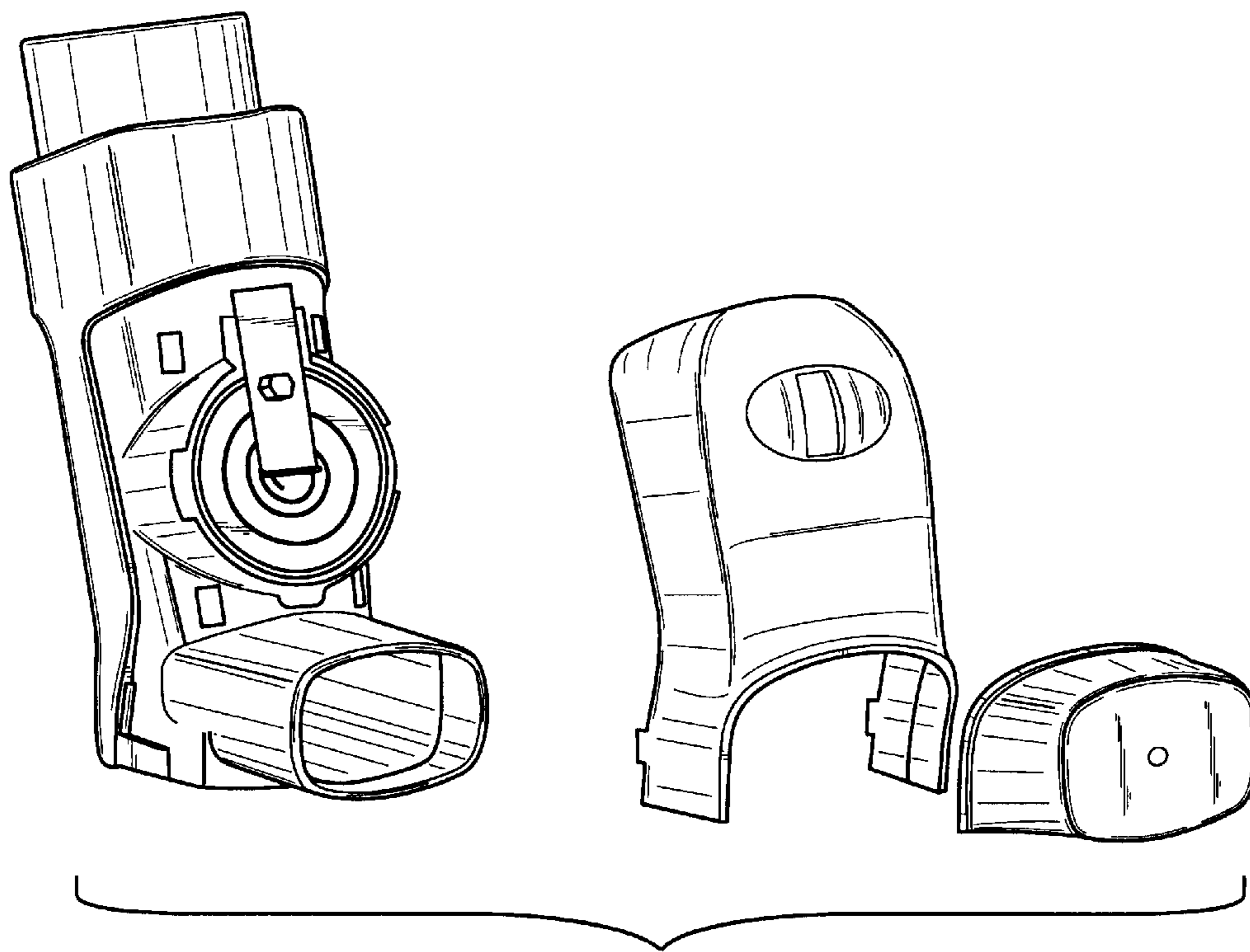


Fig. 3

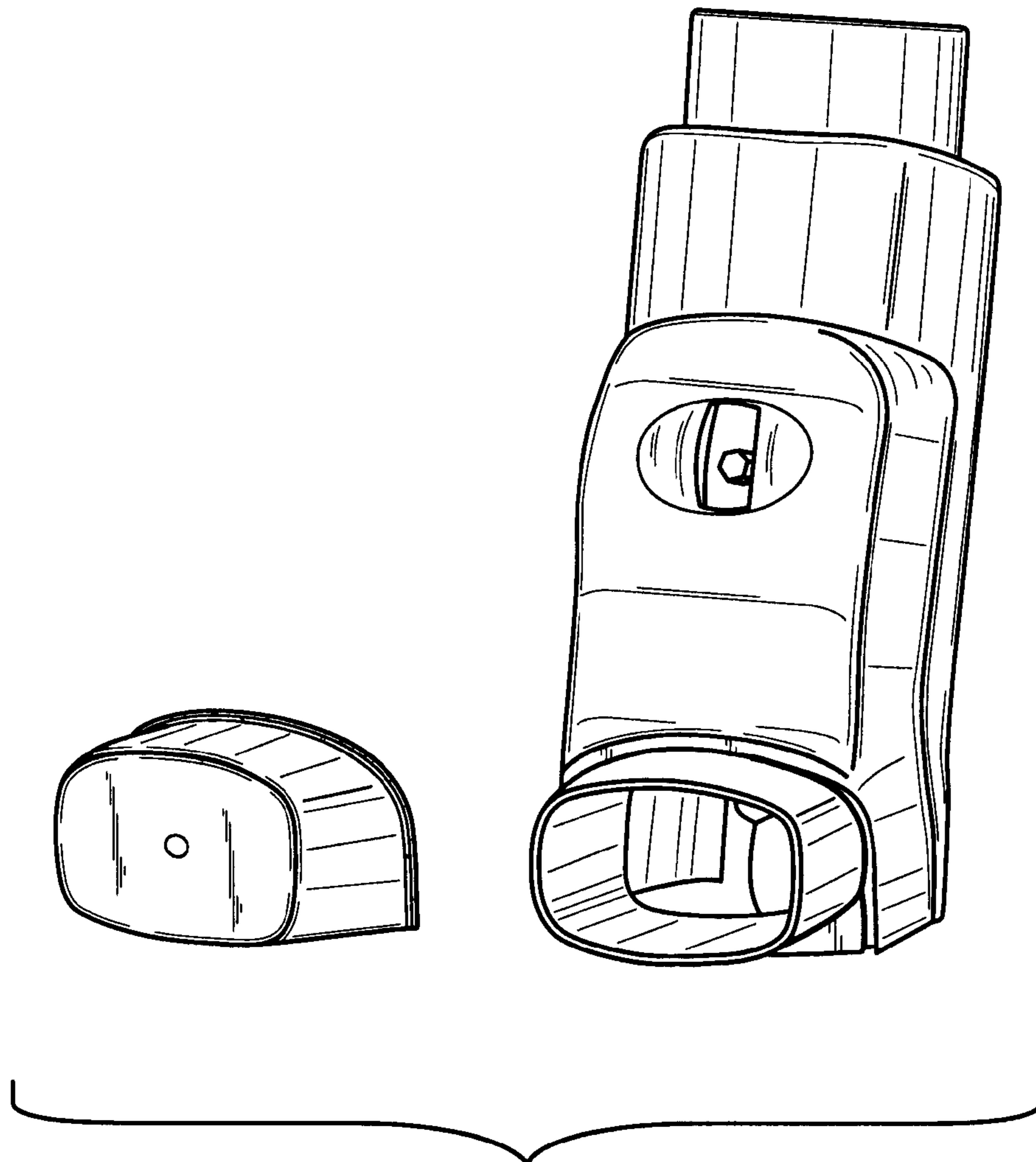


Fig. 4

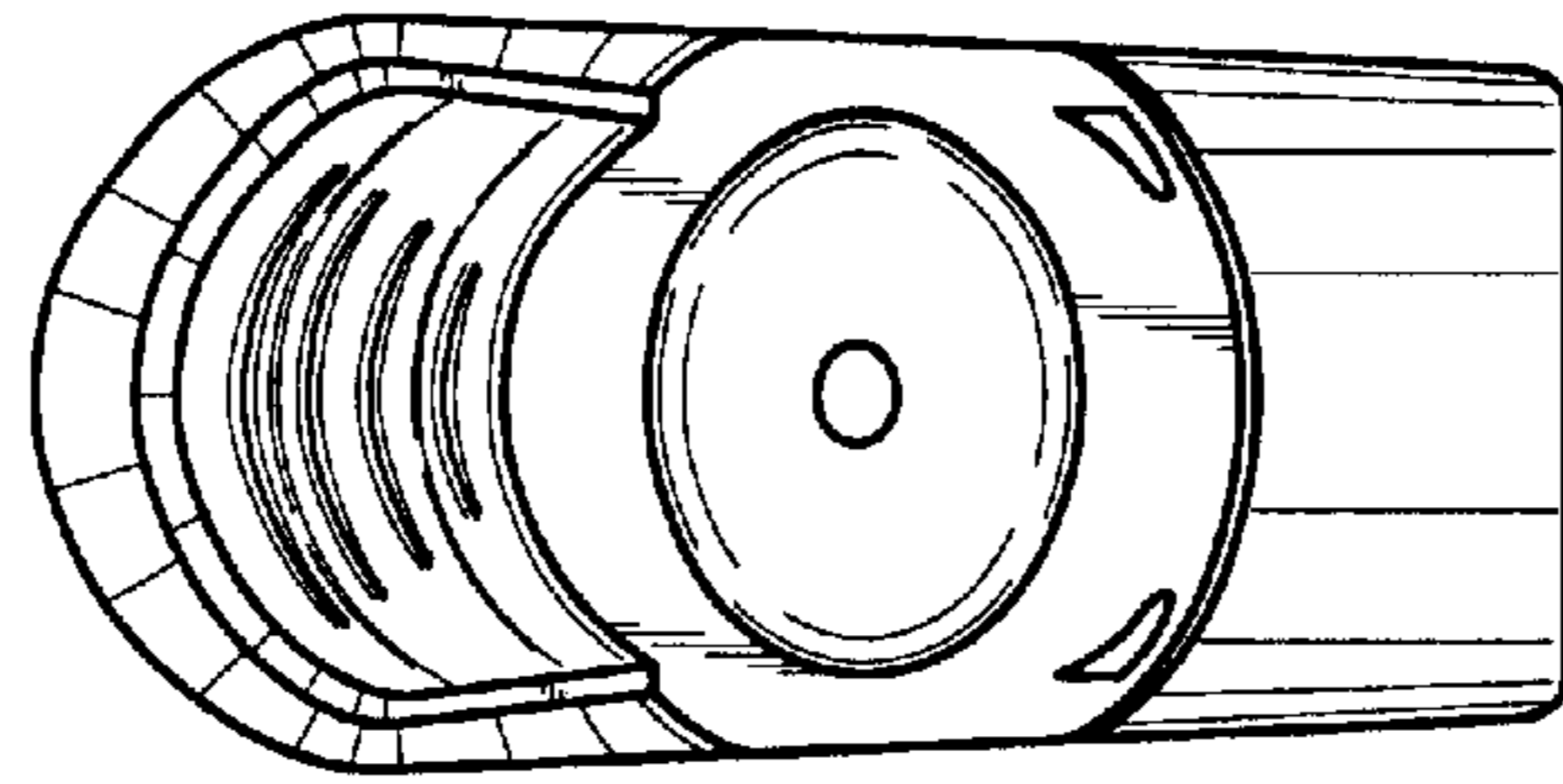


Fig. 7

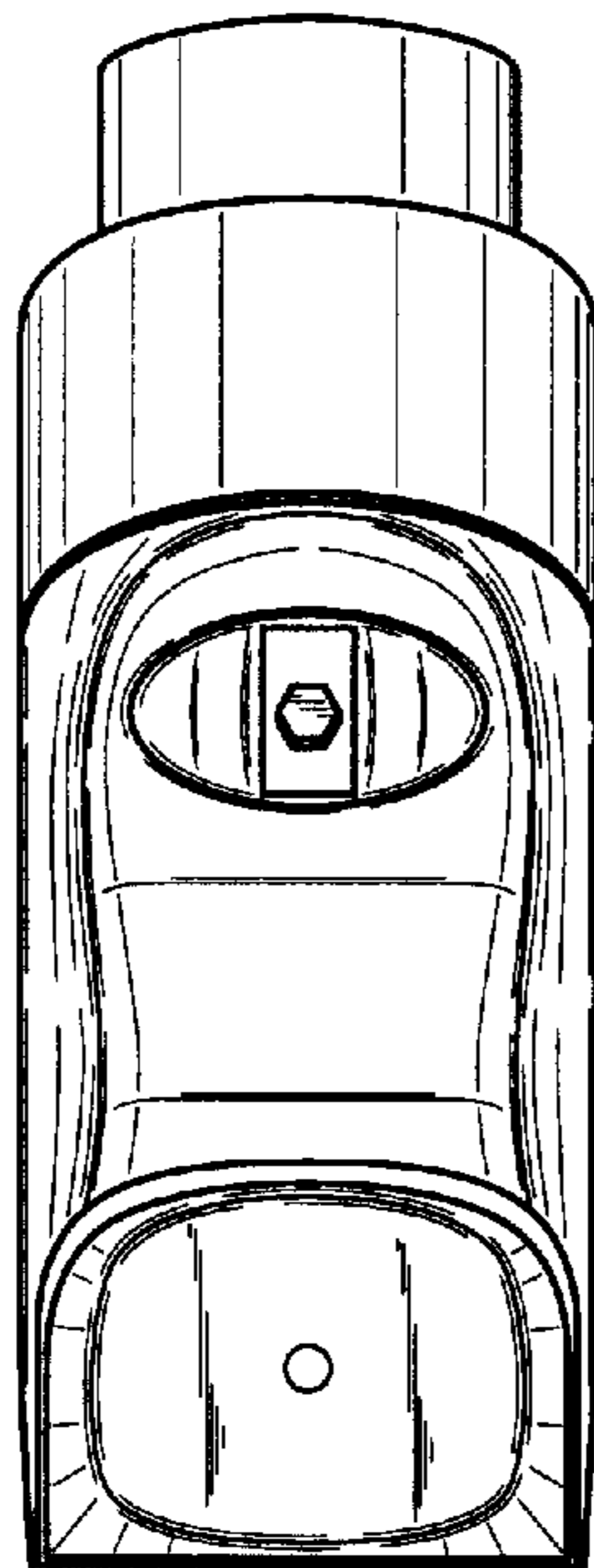


Fig. 5

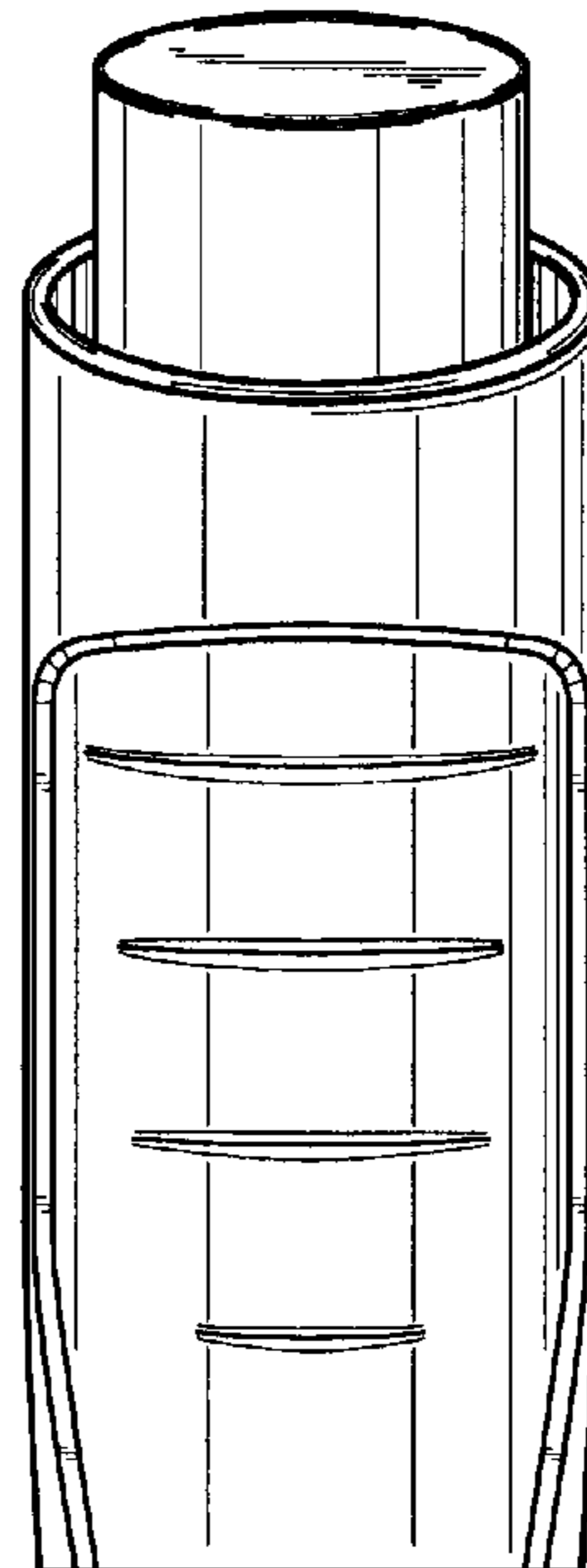


Fig. 6

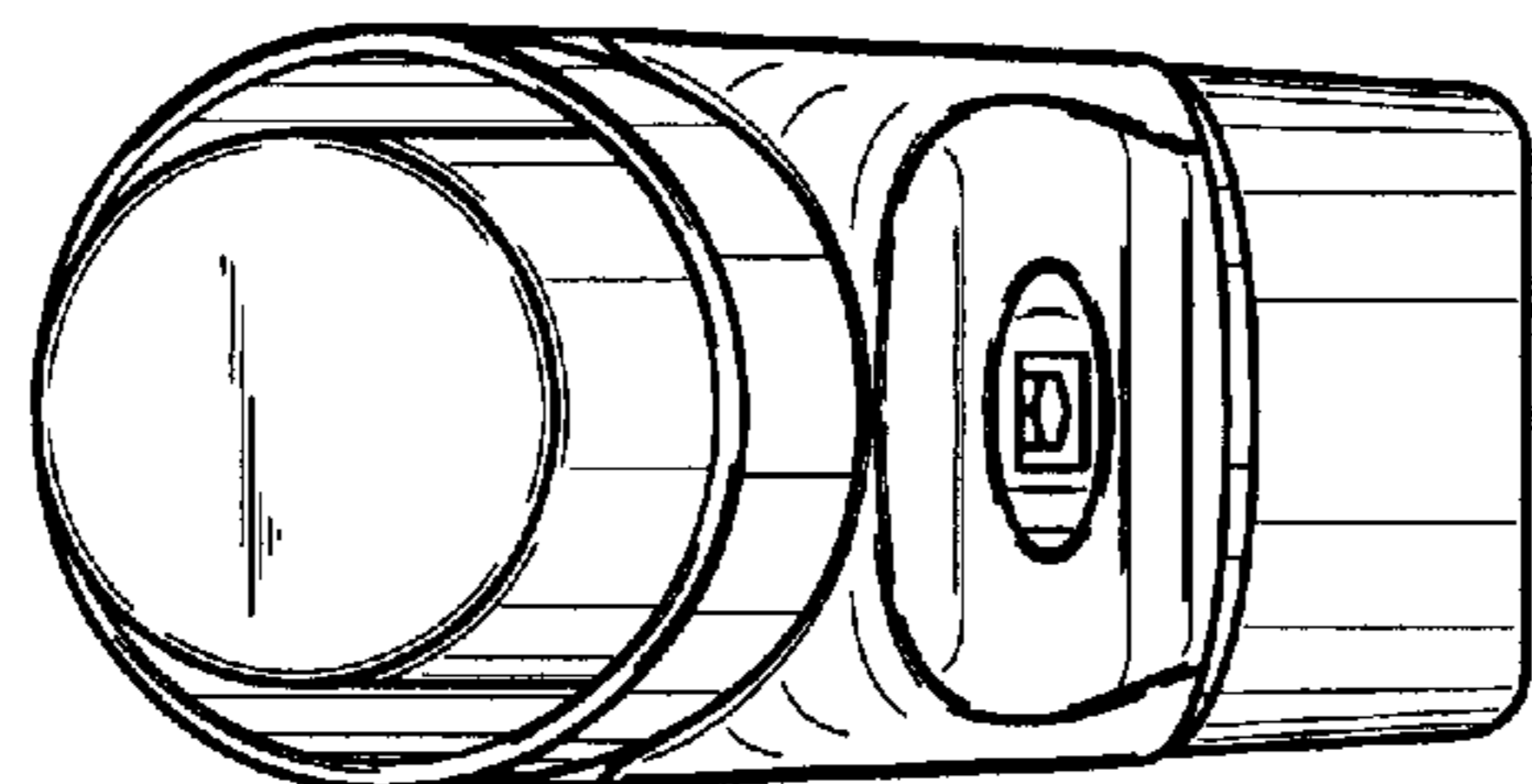


Fig. 8

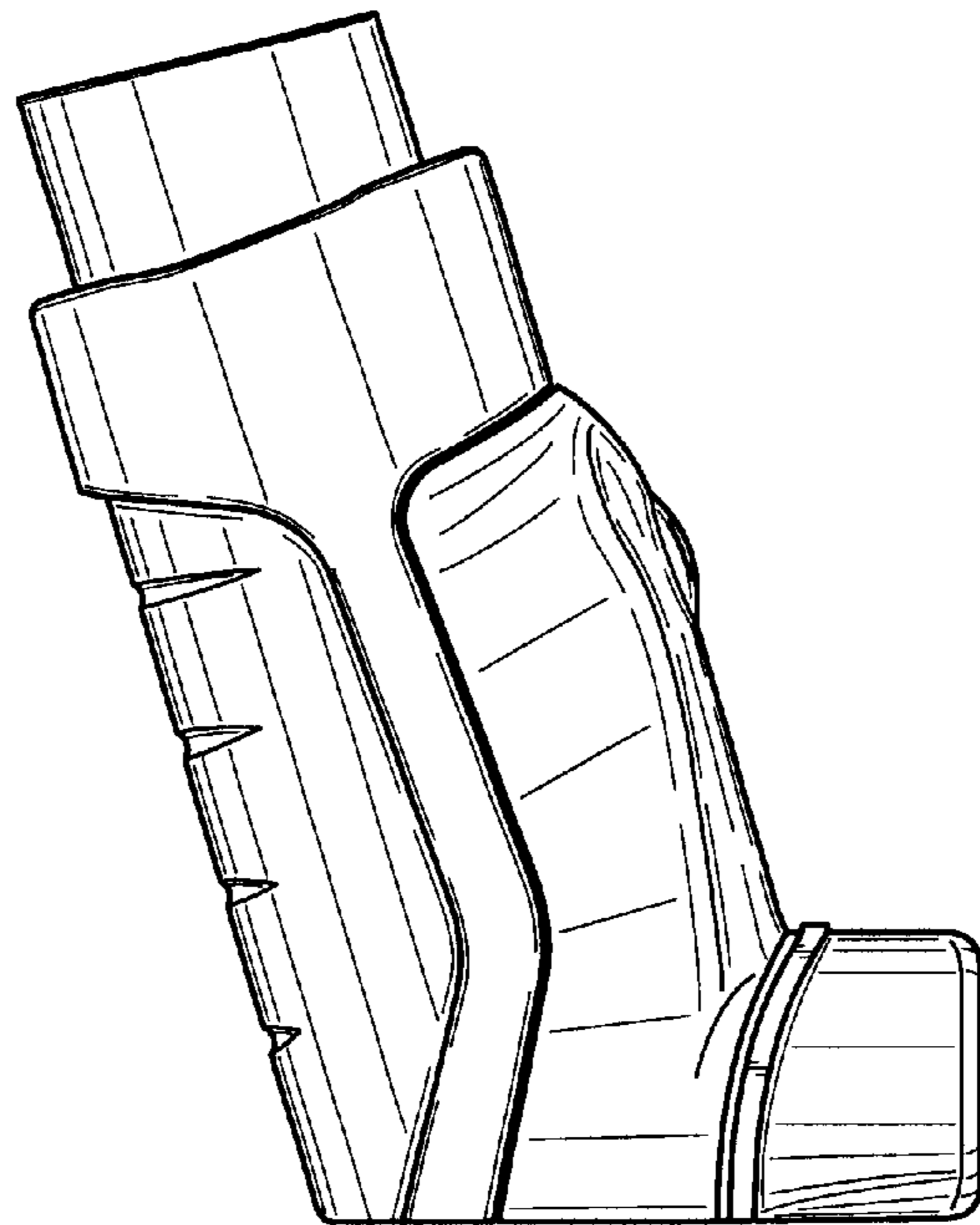


Fig. 9

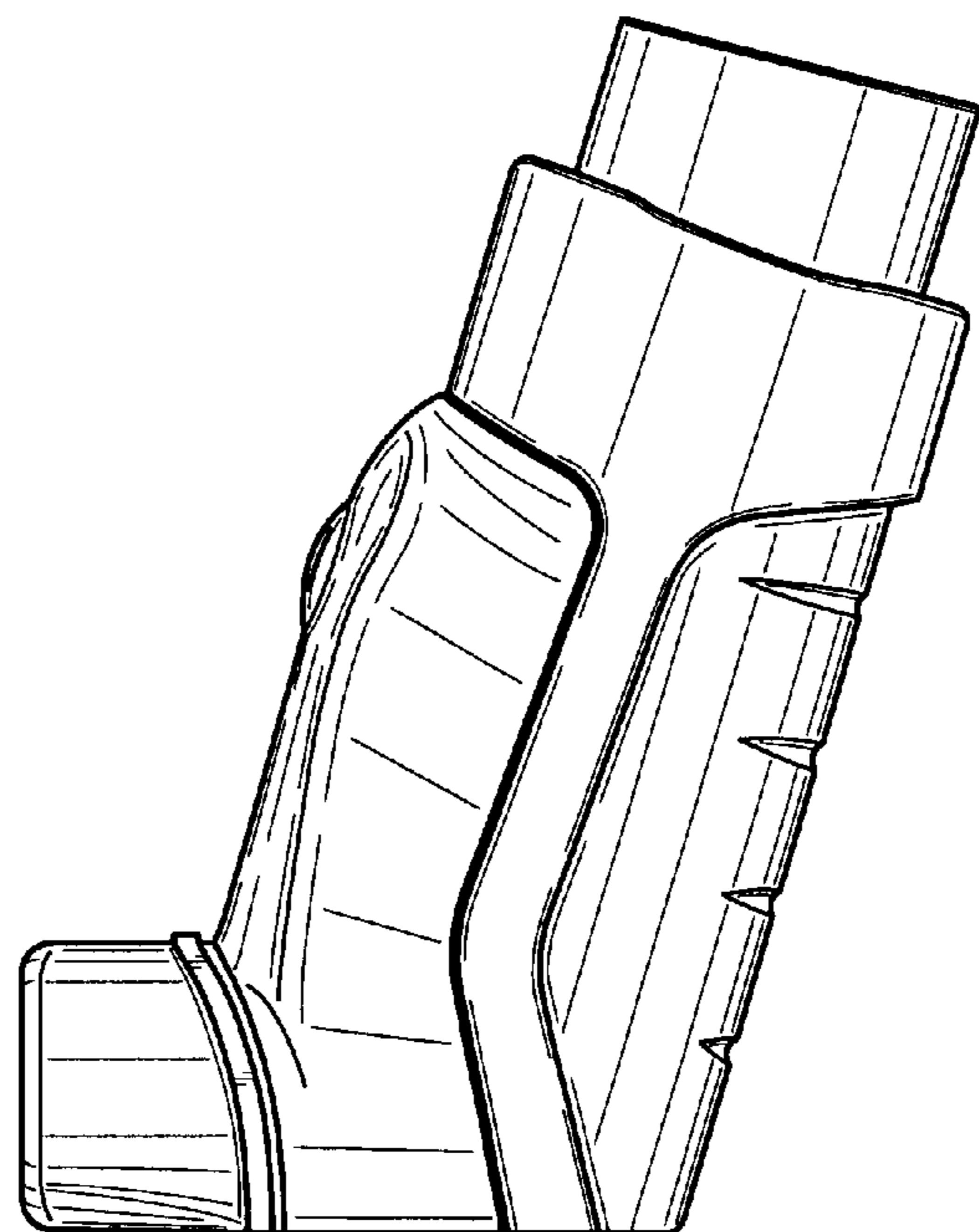


Fig. 10