



US00D511204S

(12) **United States Design Patent** (10) **Patent No.:** **US D511,204 S**
Bates (45) **Date of Patent:** **** Nov. 1, 2005**

(54) **TUB FOR BATHING**

(75) Inventor: **Michael R. Bates**, Sheboygan, WI (US)

(73) Assignee: **Kohler Co.**, Kohler, WI (US)

(**) Term: **14 Years**

(21) Appl. No.: **29/180,788**

(22) Filed: **Apr. 30, 2003**

(51) **LOC (8) Cl.** **23-02**

(52) **U.S. Cl.** **D23/280.1**

(58) **Field of Search** D23/270, 273,
D23/275-277, 280.1-280.4, 303, 304; 4/538-539,
541.1, 553, 584, 663

(56) **References Cited**

U.S. PATENT DOCUMENTS

D355,963 S	2/1995	Formgren et al.	D23/277
D358,633 S	5/1995	McKeone	D23/304
D409,294 S	5/1999	Svensen	D23/277
D421,793 S	3/2000	Svensen	D23/277
D468,814 S	1/2003	Thomas et al.	D23/280.1

OTHER PUBLICATIONS

Undated Kohler catalog ad, p. 40, showing a "Portrait" bath.
Undated Wiro catalog ad showing a rectangular bath.

Primary Examiner—Robert A. Delehanty

(74) *Attorney, Agent, or Firm*—Quarles & Brady LLP

(57) **CLAIM**

The ornamental design for a tub for bathing, as shown and described.

DESCRIPTION

In a preferred embodiment, the nature of this product is as a plumbing fixture in the form of a self-rimming tub which is primarily useful for washing the body of humans.

FIG. 1 is a left, top, front perspective view of a tub for bathing embodying my new design;

FIG. 2 is a top plan view thereof;

FIG. 3 is a front elevational view thereof, the rear elevational view being a mirror image of the front elevational view shown;

FIG. 4 is a left side elevational view thereof;

FIG. 5 is a right side elevational view thereof;

FIG. 6 is a bottom plan view thereof; and,

FIG. 7 is a left, top, front perspective view thereof showing the tub in a typical mounting environment.

The portions of the tub shown in FIGS. 1 and 3-6 which would be hidden by the mounting environment shown by broken line representation in FIG. 7 and thus not seen in normal use are shown for illustration purposes only, and does not form part of the claimed design.

The broken line representations of holes in FIGS. 1-6, and of a mounting environment in FIG. 7, are for the purpose of illustration only, and form no part of the claimed design.

1 Claim, 4 Drawing Sheets

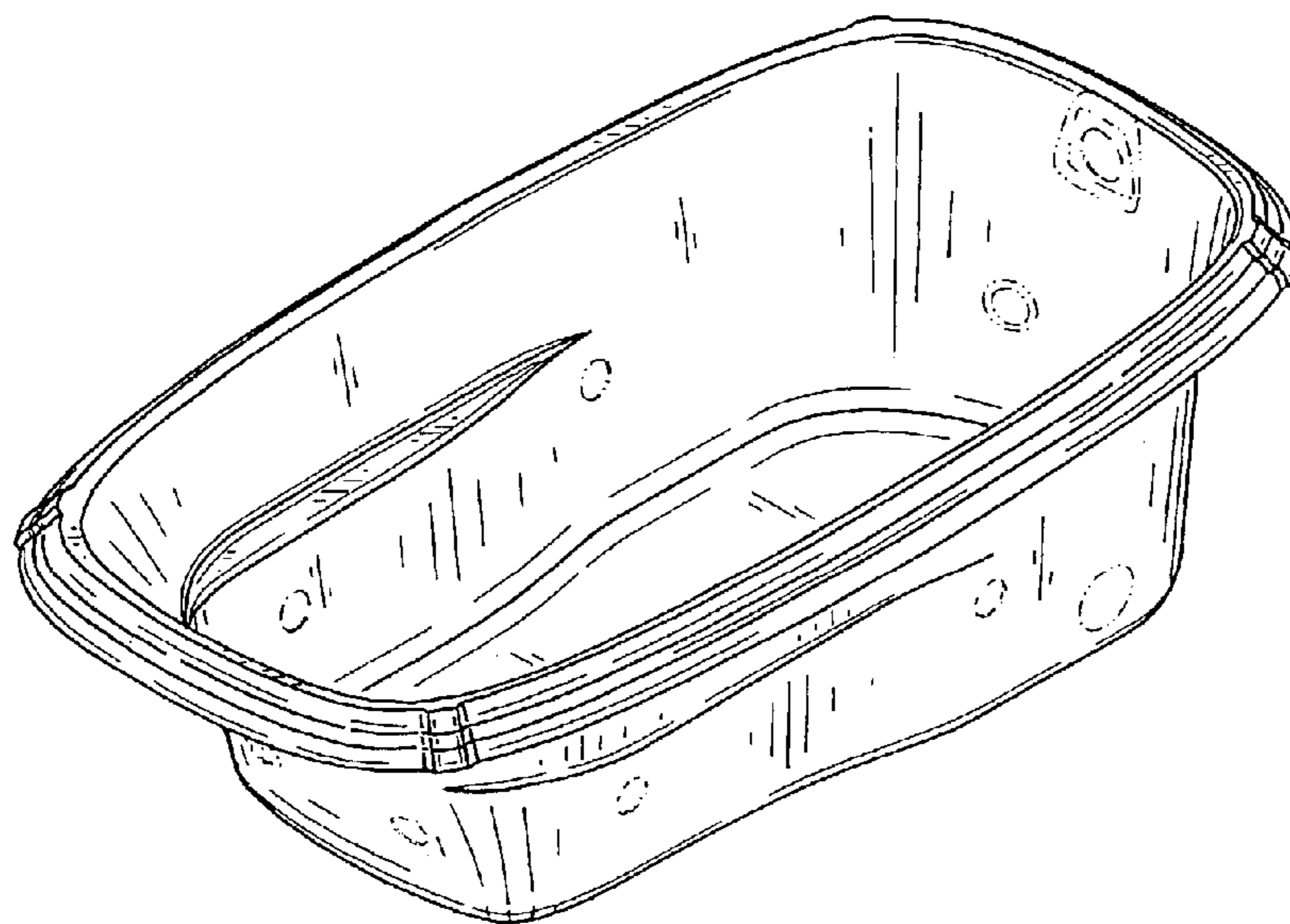


FIG. 1

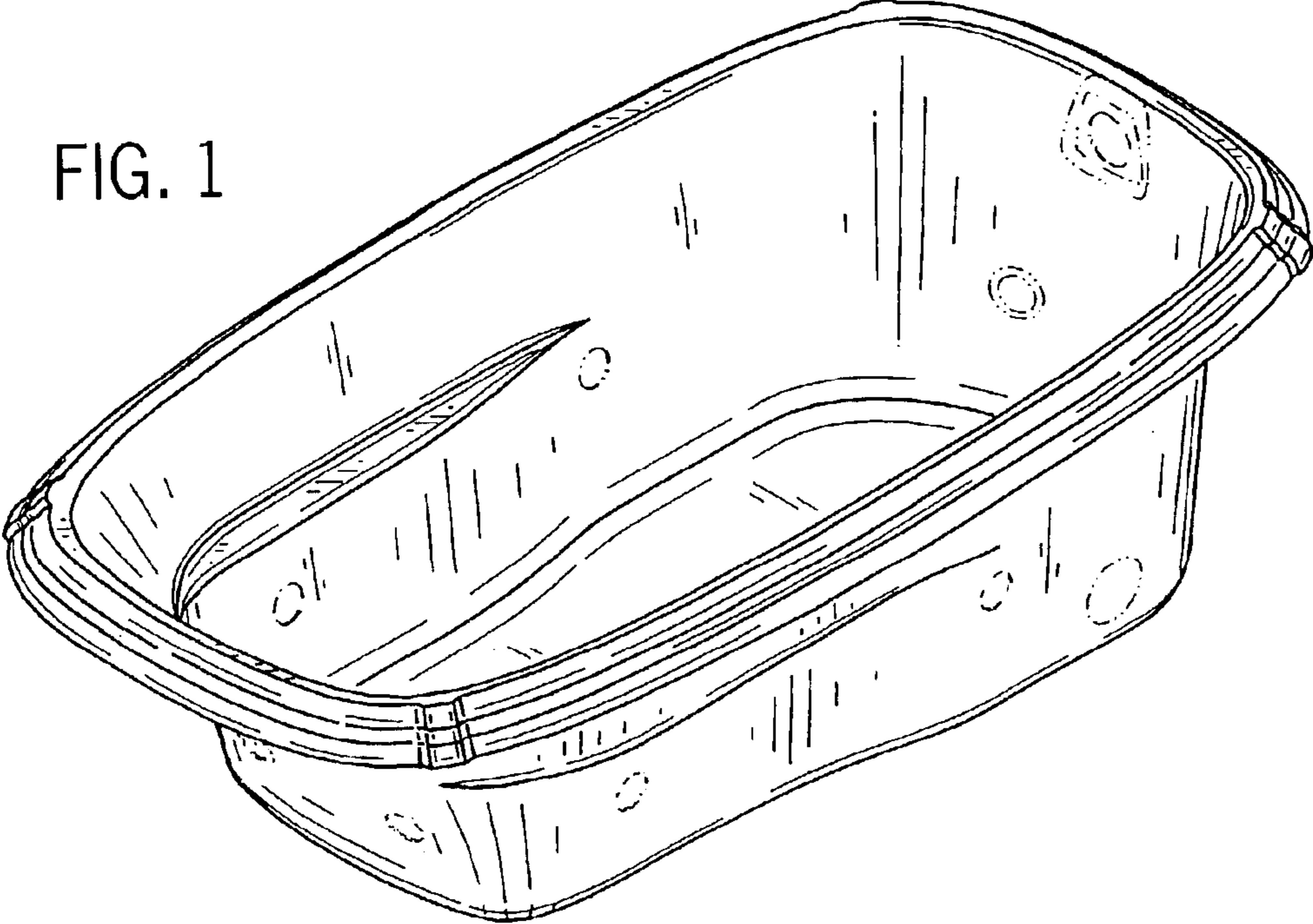


FIG. 2

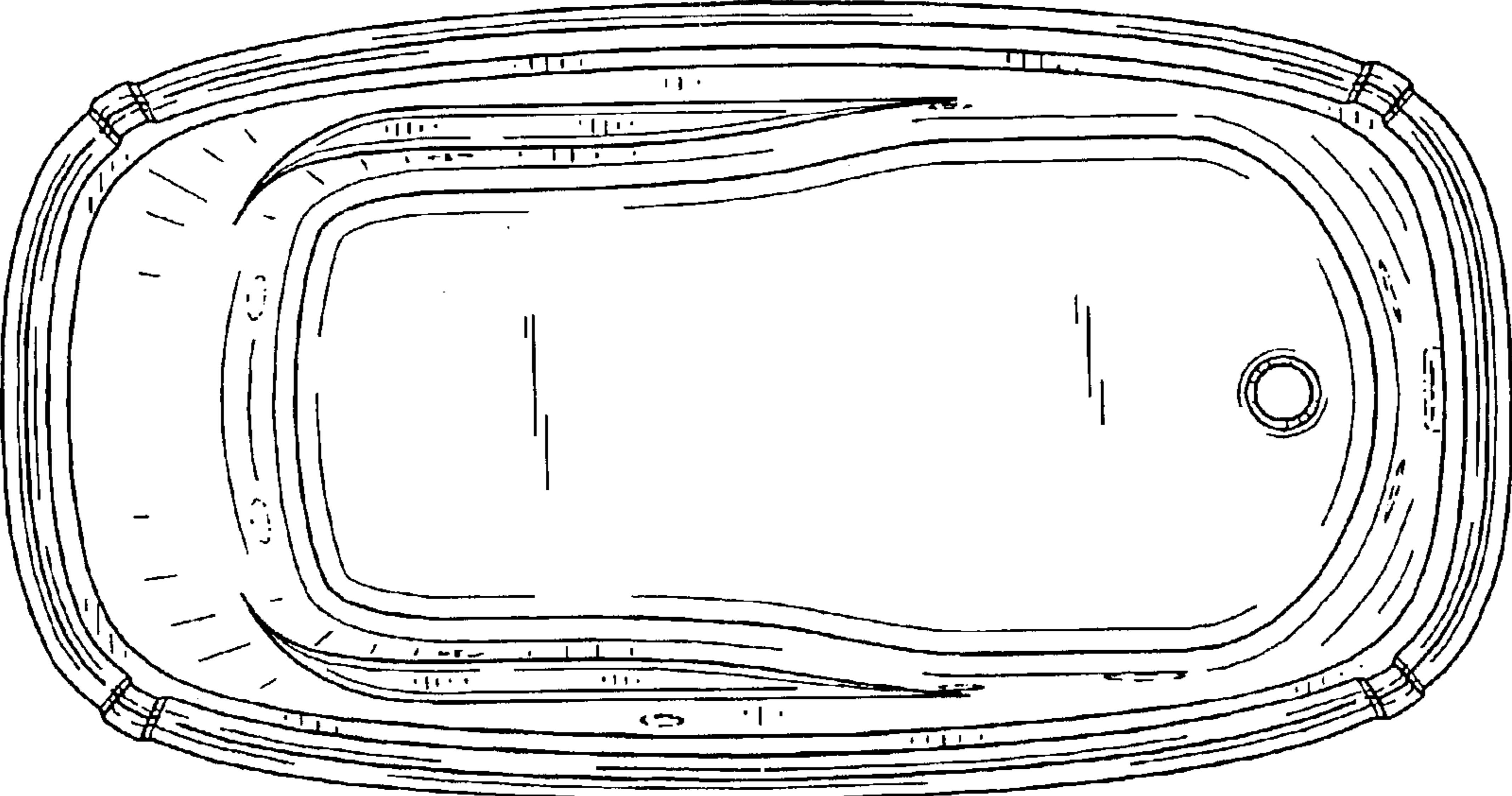


FIG. 3

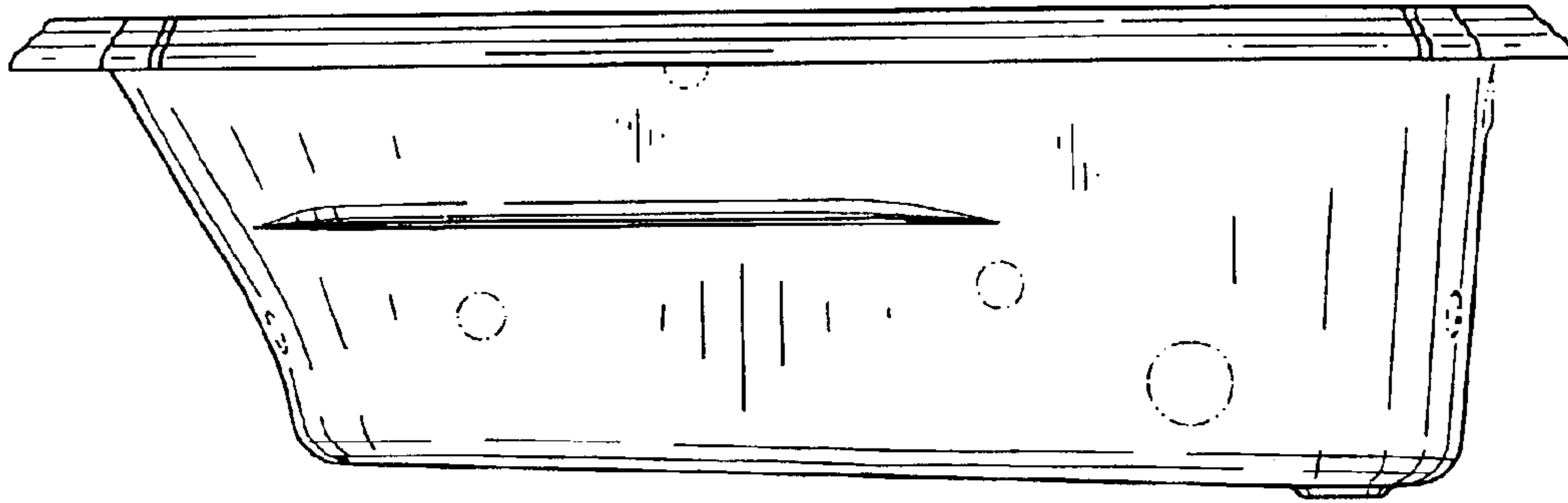


FIG. 4

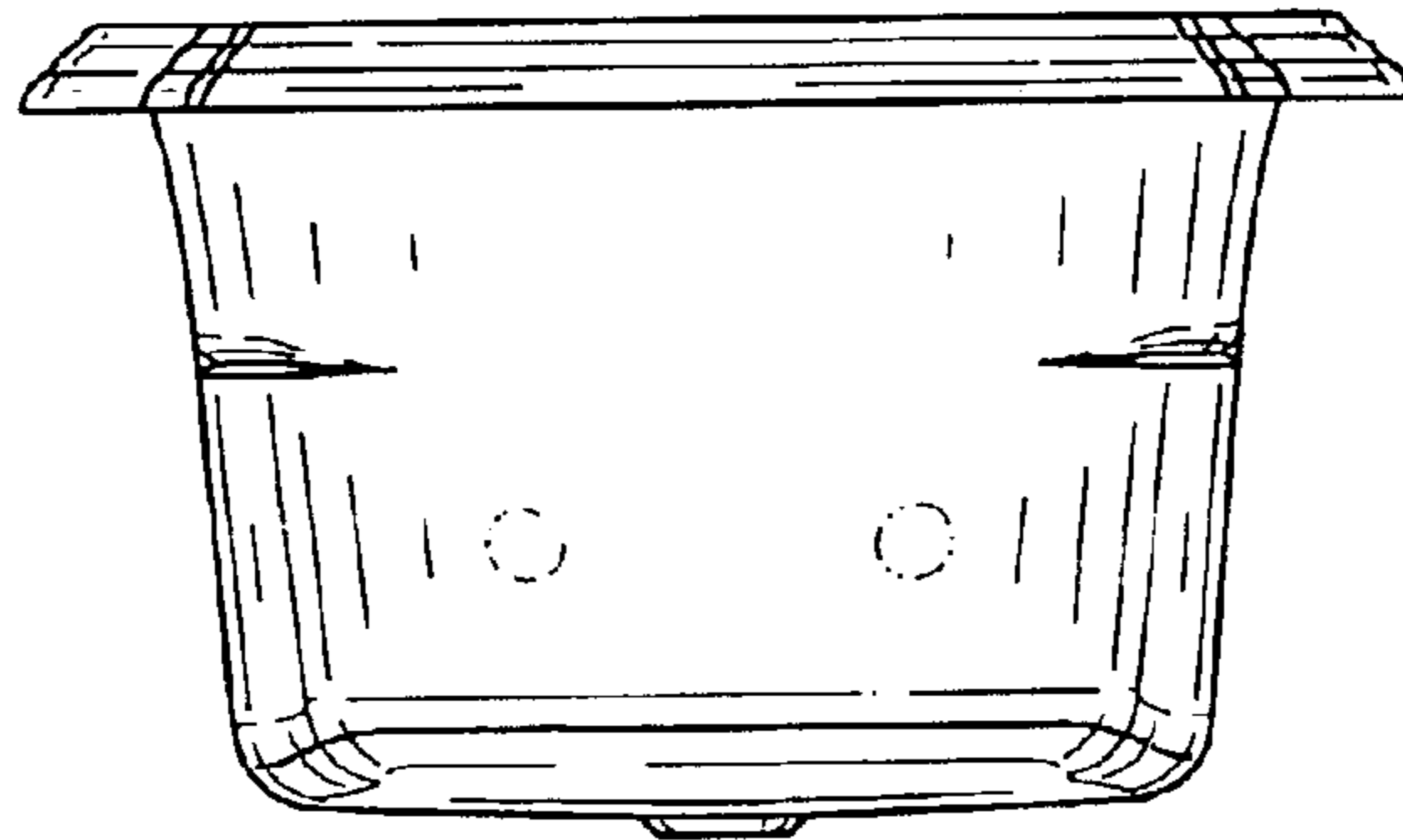
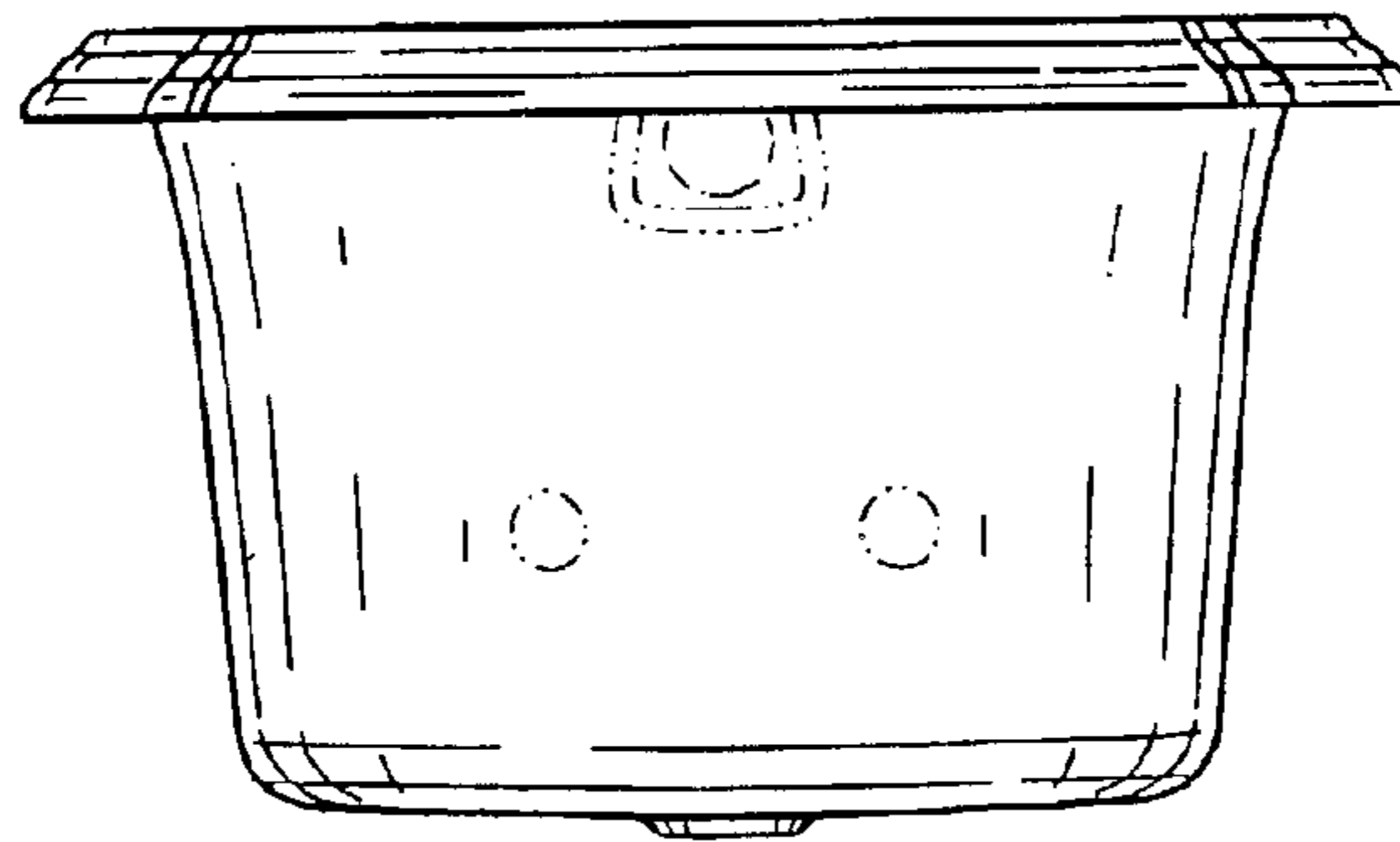


FIG. 5



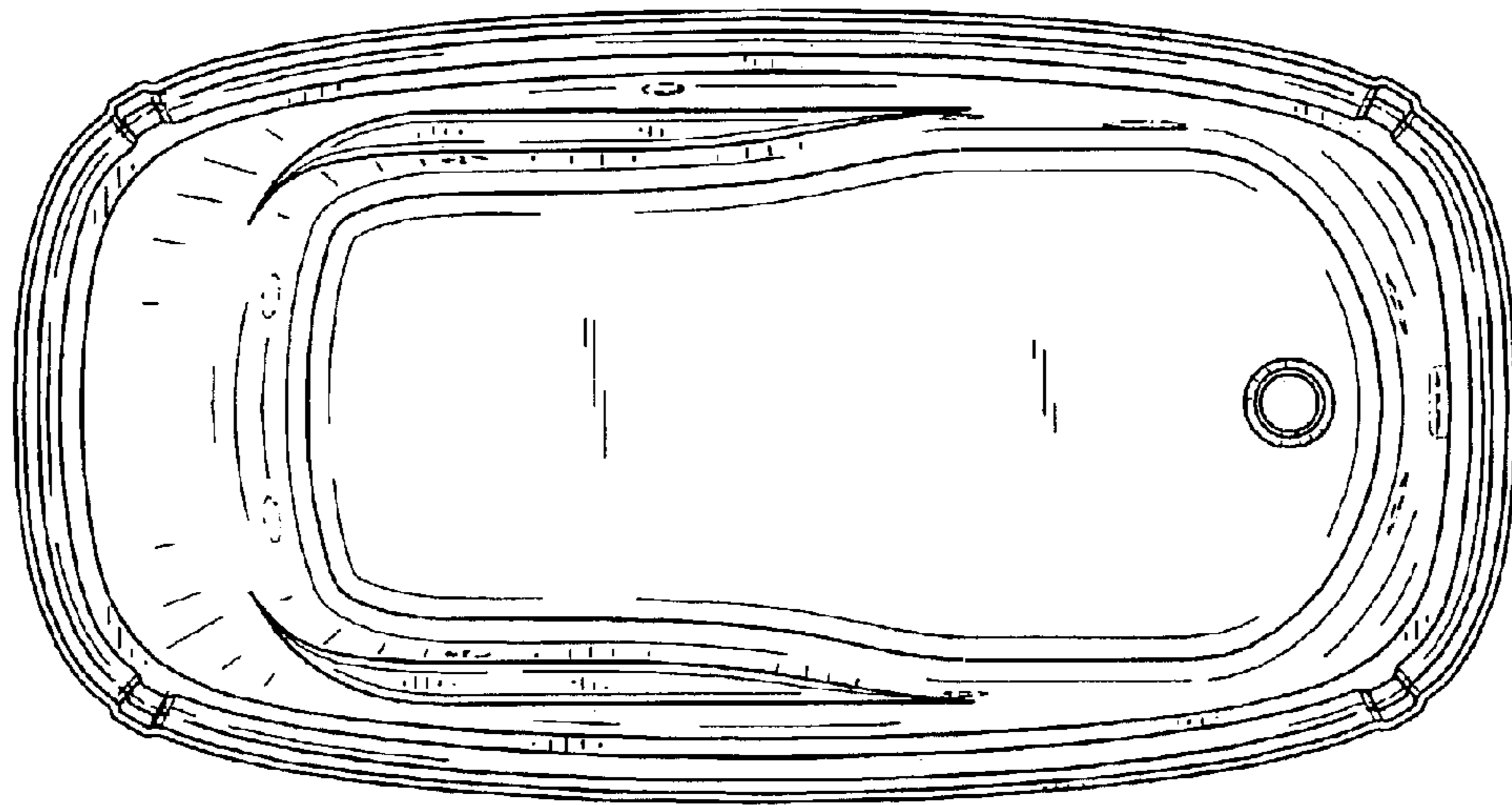


FIG. 6

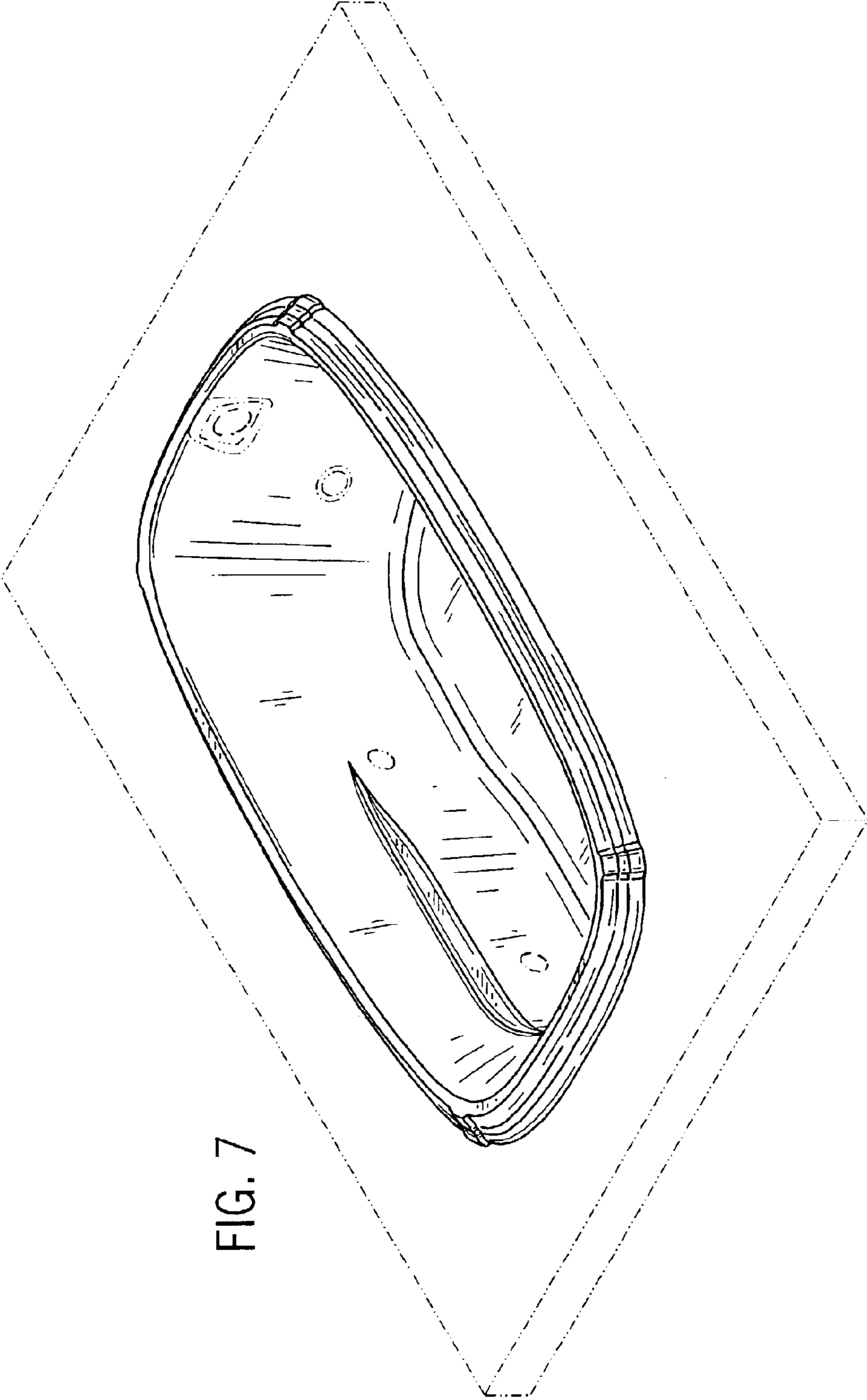


FIG. 7