

US00D511201S

(12) **United States Design Patent** (10) **Patent No.:** **US D511,201 S**
Kulig et al. (45) **Date of Patent:** **** Nov. 1, 2005**

(54) **FAUCET**

(75) Inventors: **Zbigniew Kulig**, Wadsworth, IL (US);
Piotr Rulka, Crakow (PL)

(73) Assignee: **Graff Faucets**, Milwaukee, WI (US)

(**) Term: **14 Years**

(21) Appl. No.: **29/200,364**

(22) Filed: **Feb. 26, 2004**

(51) **LOC (8) Cl.** **23-01**

(52) **U.S. Cl.** **D23/238**

(58) **Field of Search** D23/238-257;
4/675-678; 137/801

(56) **References Cited**

U.S. PATENT DOCUMENTS

D271,704 S	*	12/1983	Paul	D23/238
D355,956 S	*	2/1995	Jans	D23/241
D360,016 S	*	7/1995	Hsieh	D23/241
D486,562 S	*	2/2004	Spangler	D23/255
D489,795 S	*	5/2004	Kulig et al.	D23/238

OTHER PUBLICATIONS

- Kulig, Zbigniew, U.S. Appl. No. 29/200,362, filed Feb. 26, 2004.*
 Kulig, Zbigniew, U.S. Appl. No. 29/210,960, filed Aug. 9, 2004.*
 Kulig, Zbigniew, U.S. Appl. No. 29/200,374, filed Feb. 26, 2004.*
 Kulig, Zbigniew, U.S. Appl. No. 29/200,372, filed Feb. 26, 2004.*
 Kulig, Zbigniew, U.S. Appl. No. 29/200,370, filed Feb. 26, 2004.*
 Kulig, Zbigniew et. al., U.S. Appl. No. 29/200,367, filed Feb. 26, 2004.*
 Kulig, Zbigniew et. al., U.S. Appl. No. 29/200,363, filed Feb. 26, 2004.*
 Kulig, Zbigniew et. al., U.S. Appl. No. 29/200,375, filed Feb. 26, 2004.*

Kulig, Zbigniew et. al., U.S. Appl. No. 29/200,361, filed Feb. 26, 2004.*

Kulig, Zbigniew et. al., U.S. Appl. No. 29/200,369, filed Feb. 26, 2004.*

Kulig, Zbigniew et. al., U.S. Appl. No. 29/200,368, filed Feb. 26, 2004.*

Kulig, Zbigniew, U.S. Appl. No. 29/200,371, filed Feb. 26, 2004.*

Kulig, Zbigniew, U.S. Appl. No. 29/200,366, filed Feb. 26, 2004.*

Kulig, Zbigniew et. al., U.S. Appl. No. 29/200,373, filed Feb. 26, 2004.*

Kulig, Zbigniew, U.S. Appl. No. 29/200,365, filed Feb. 26, 2004.*

Kulig, Zbigniew, U.S. Appl. No. 29/200,423, filed Feb. 26, 2004.*

(Continued)

Primary Examiner—Louis S. Zarfes

Assistant Examiner—Gregory Andoll

(74) *Attorney, Agent, or Firm*—Boyle Fredrickson
Newholm Stein & Gratz S.C.

(57) **CLAIM**

The ornamental design for a faucet, as shown and described.

DESCRIPTION

FIG. 1 is perspective view of a faucet incorporating our new design, viewed from in front of, above, and from the left side of the faucet;

FIG. 2 is a front elevation view thereof;

FIG. 3 is a rear elevation view thereof;

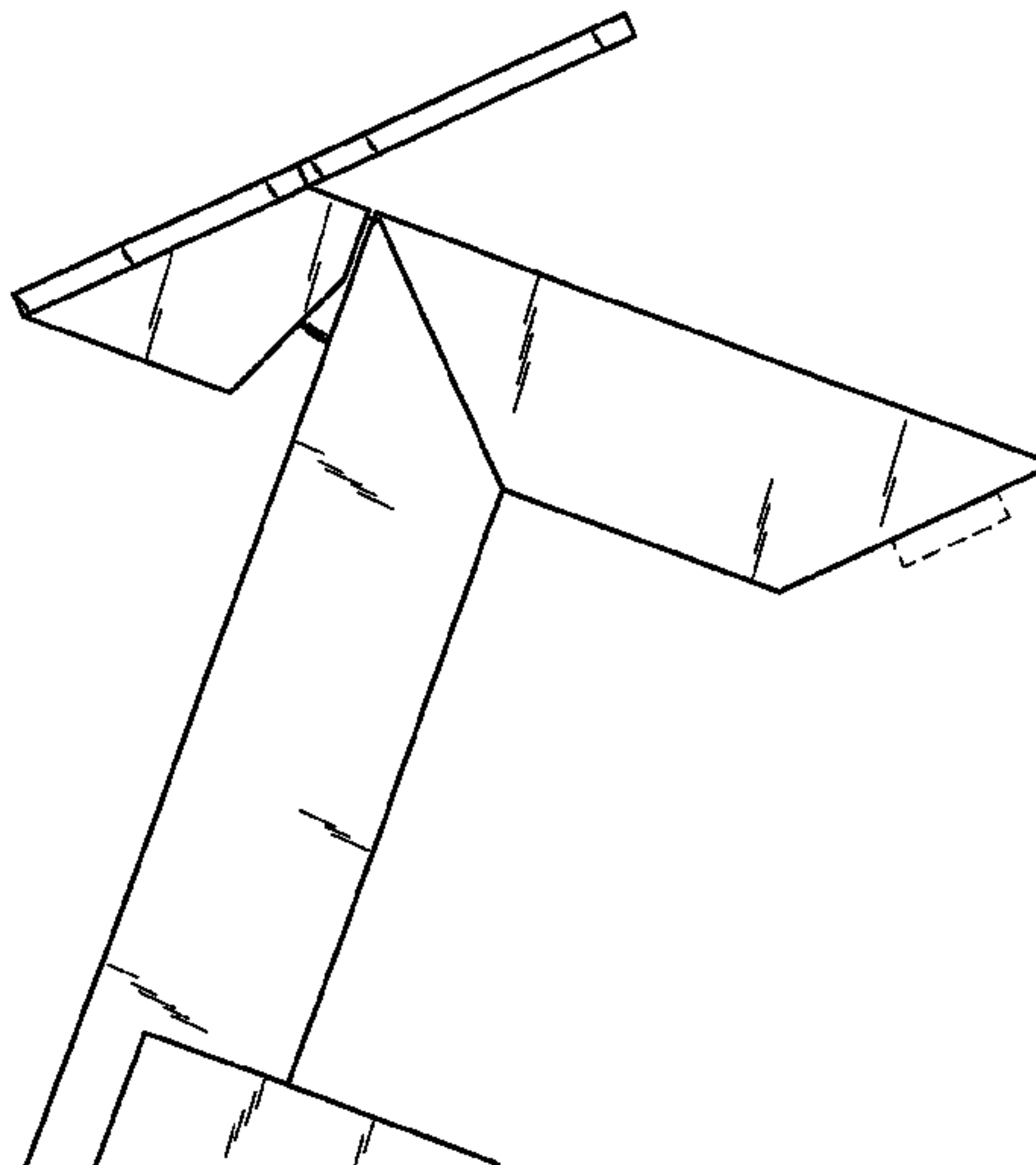
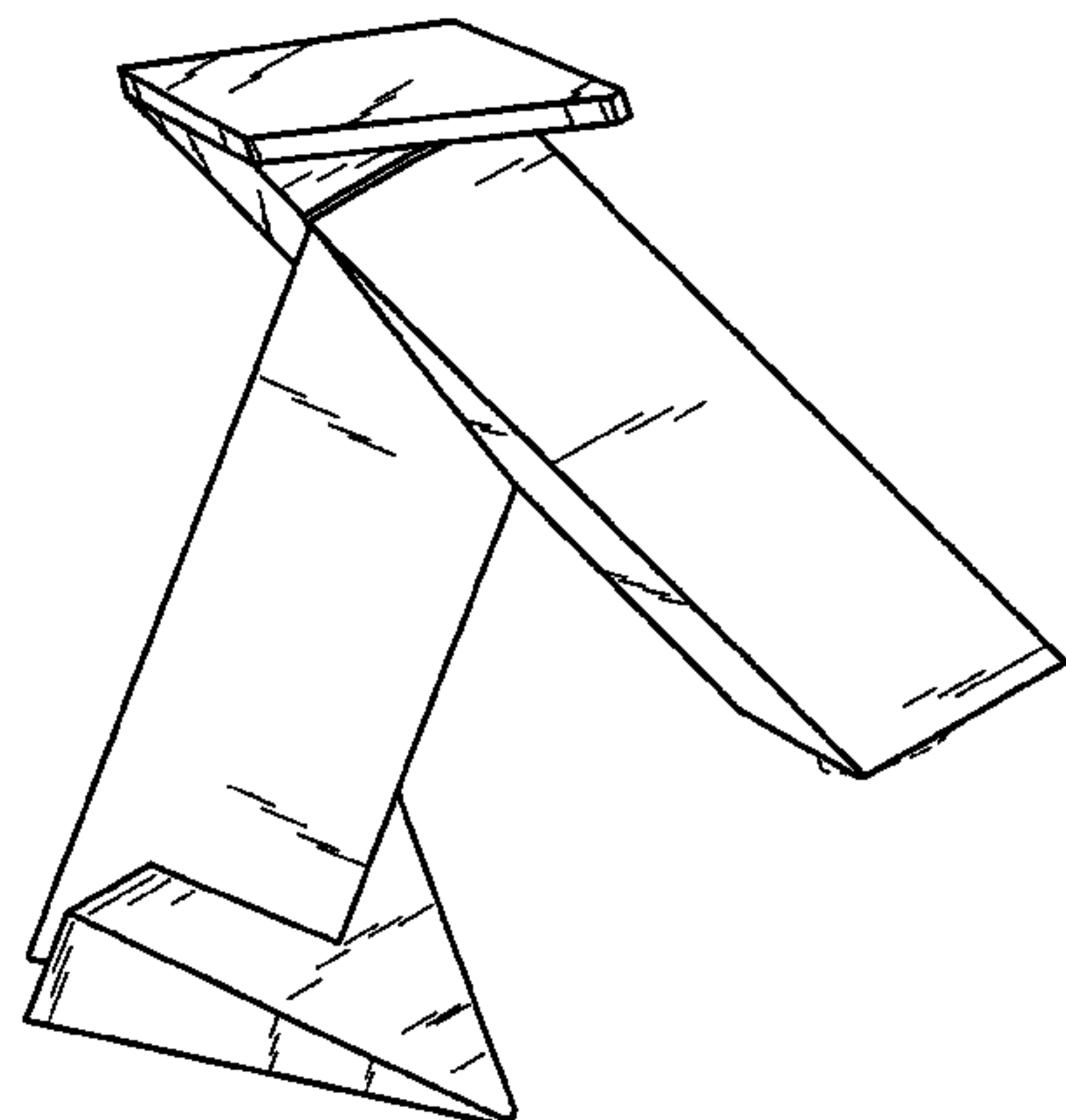
FIG. 4 is a top plan view thereof;

FIG. 5 is a bottom plan view thereof; and,

FIG. 6 is a left-side elevation view thereof, with the right side being a mirror image of the left side.

The broken lines in FIG. 5 are for illustrative purposes only and form no part of the claimed design.

1 Claim, 6 Drawing Sheets



OTHER PUBLICATIONS

Kulig, Zbigniew et. al., U.S. Appl. No. 29/203,608, filed Apr. 16, 2004.*

Kulig, Zbigniew et. al., U.S. Appl. No. 29/203,606, filed Apr. 16, 2004.*

Kulig, Zbigniew, U.S. Appl. No. 29/206,908, filed Jun. 4, 2004.*

Kulig, Zbigniew, U.S. Appl. No. 29/211,662, filed Aug. 19, 2004.*

Kulig, Zbigniew, U.S. Appl. No. 29/220,253, filed Dec. 28, 2004.*

Kulig, Zbigniew, U.S. Appl. No. 29/220,262, filed Dec. 28, 2004.*

Kulig, Zbigniew, U.S. Appl. No. 29/220,263, filed Dec. 28, 2004.*

Kulig, Zbigniew, U.S. Appl. No. 29/220,235, filed Dec. 28, 2004.*

Kulig, Zbigniew, U.S. Appl. No. 29/220,197, filed Dec. 28, 2004.*

Kulig, Zbigniew, U.S. Appl. No. 29/220,238, filed Dec. 28, 2004.*

Kulig, Zbigniew, U.S. Appl. No. 29/220,248, filed Dec. 28, 2004.*

Kulig, Zbigniew, U.S. Appl. No. 29/220,239, filed Dec. 28, 2004.*

* cited by examiner

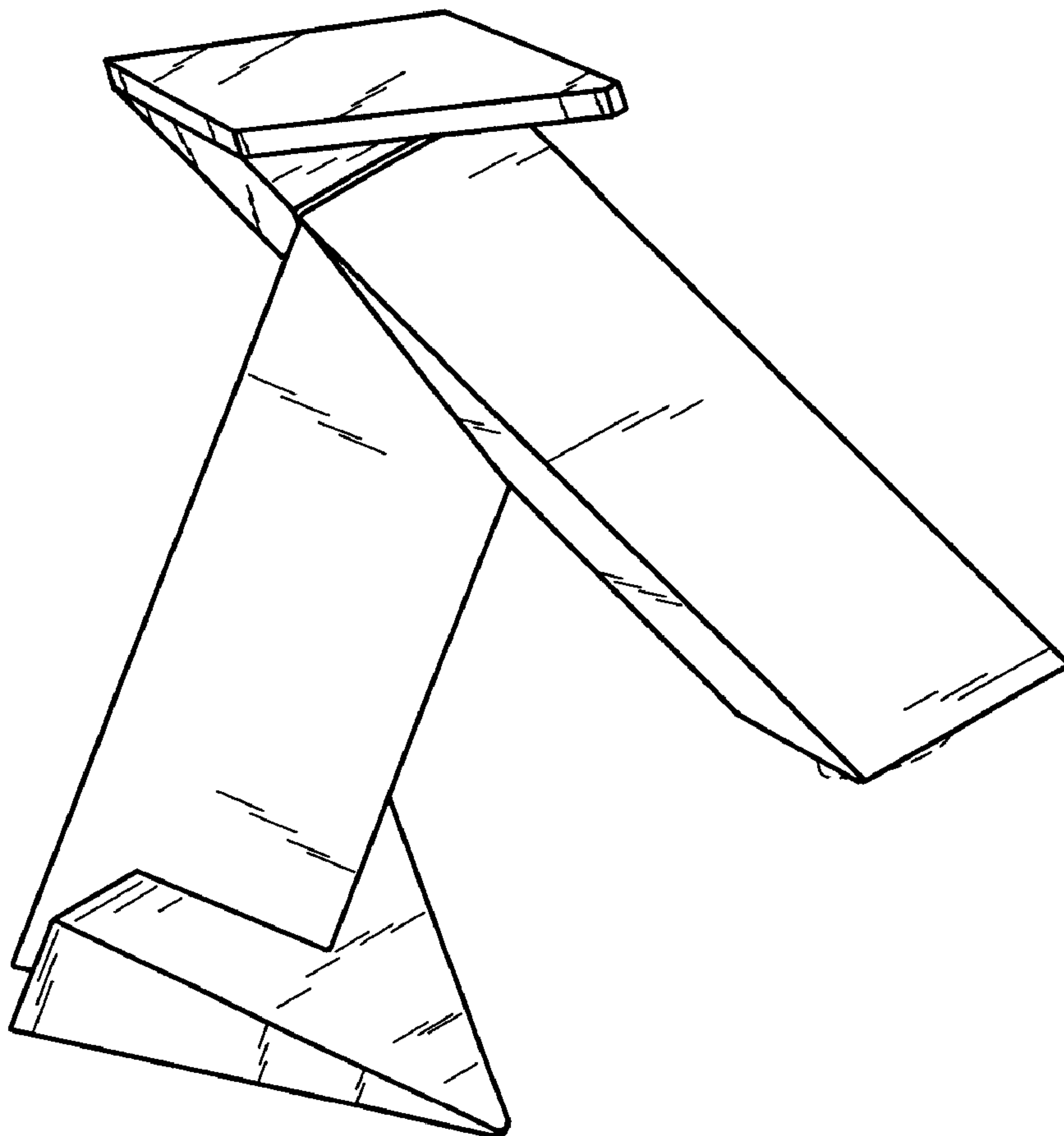


FIG. 1

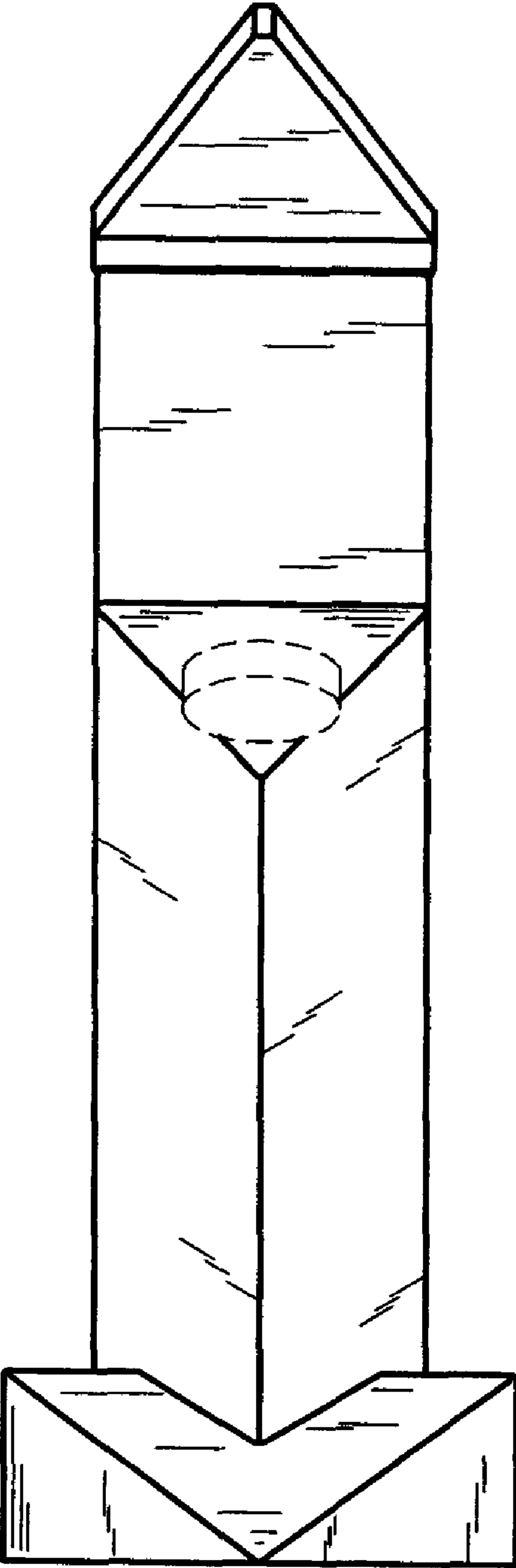


FIG. 2

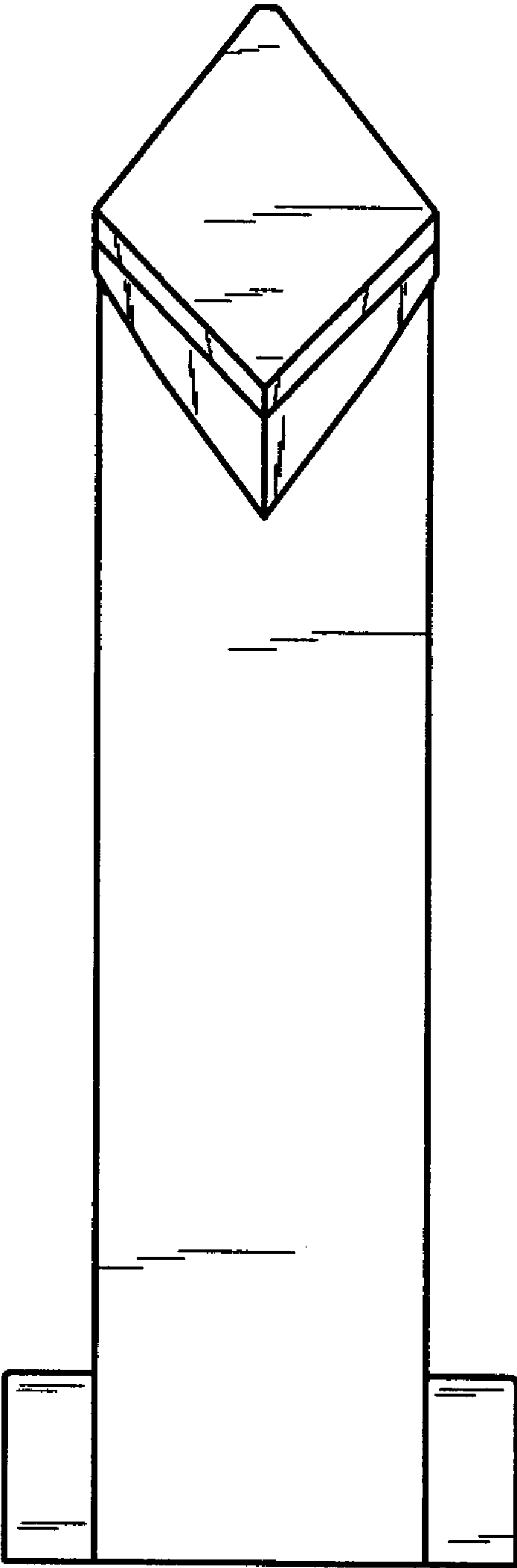


FIG. 3

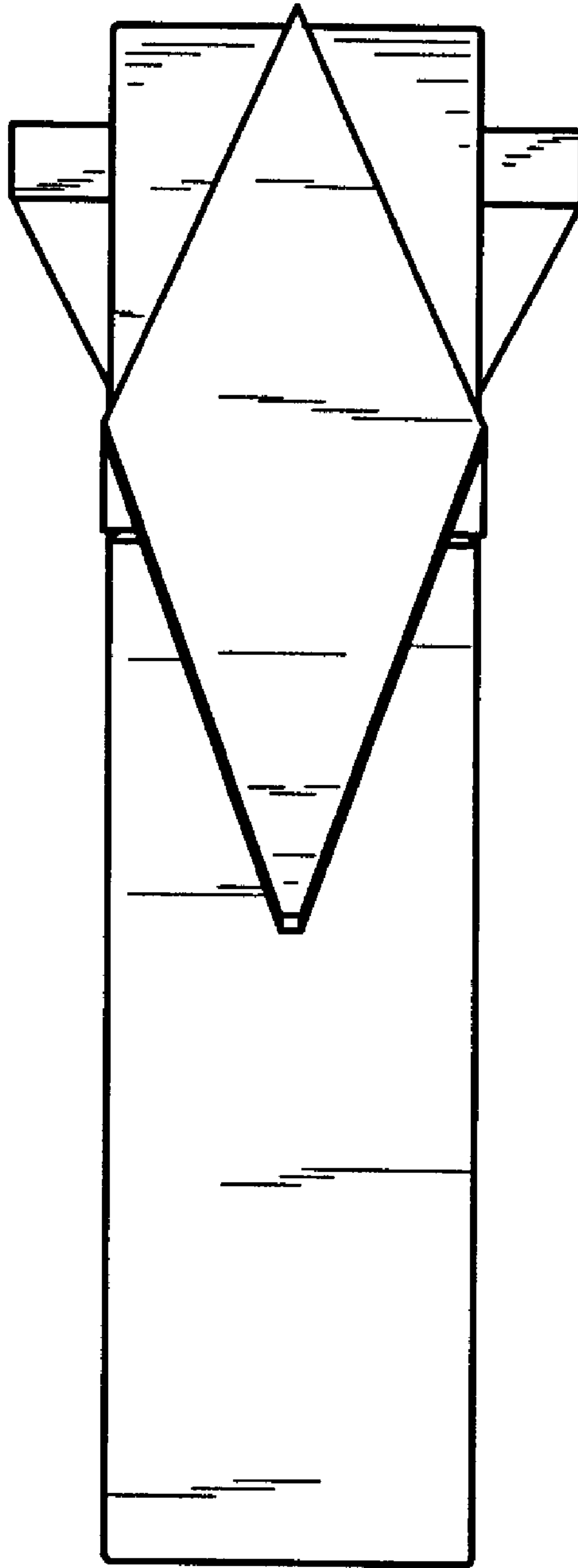


FIG. 4

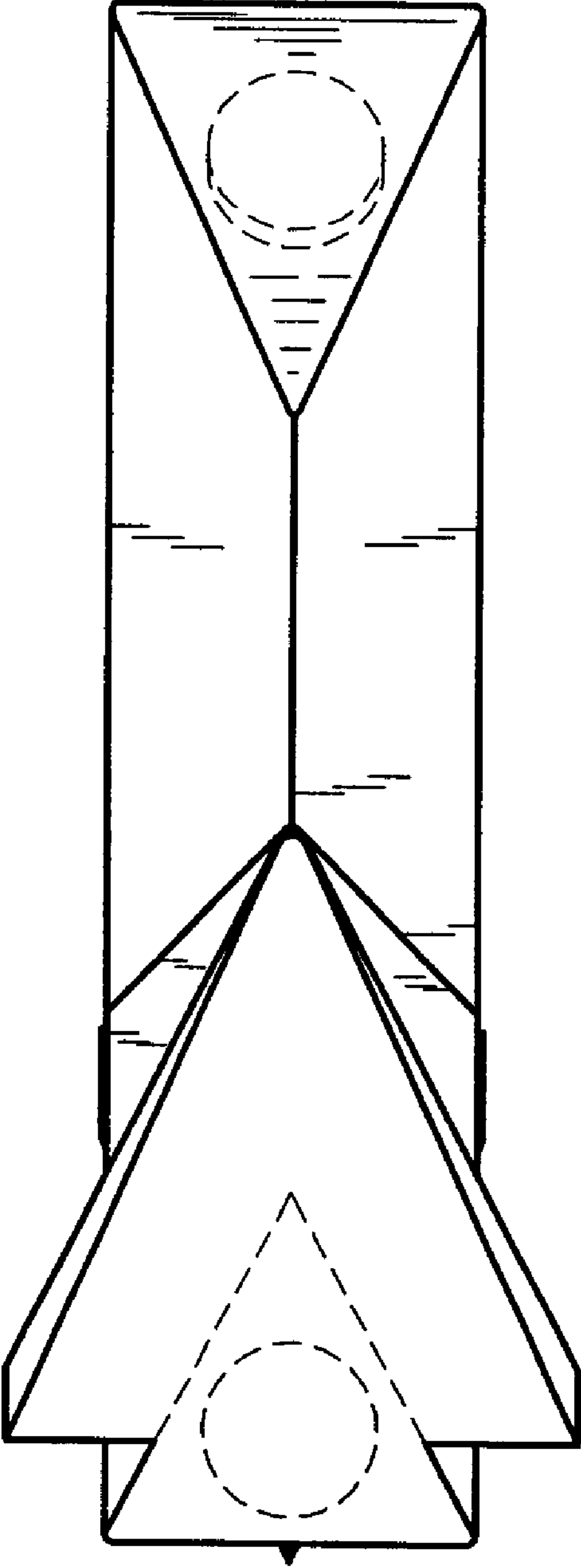


FIG. 5

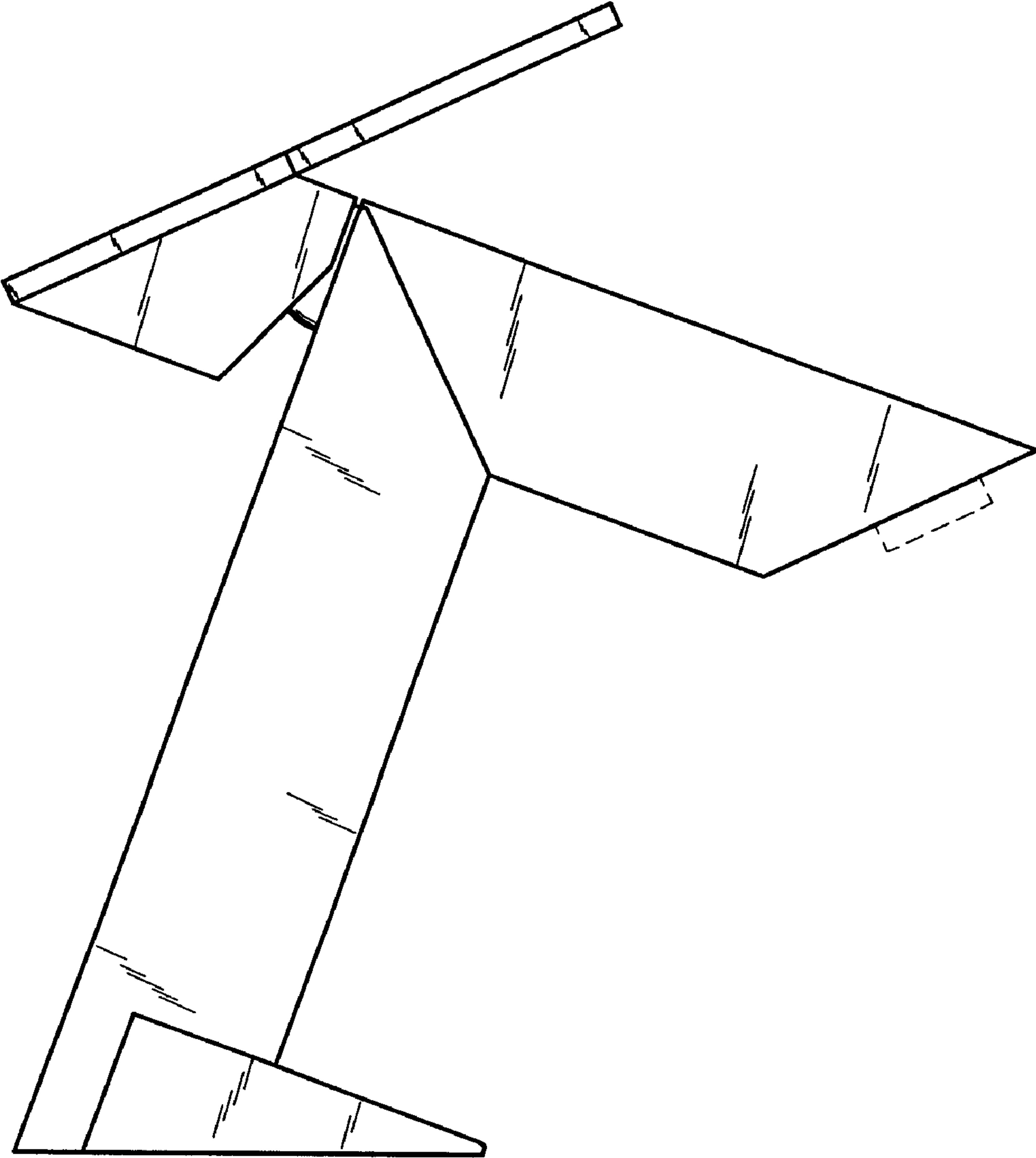


FIG. 6