



US00D511200S

(12) **United States Design Patent** (10) **Patent No.:** **US D511,200 S**
Kulig et al. (45) **Date of Patent:** **** Nov. 1, 2005**

(54) **FAUCET**

(75) Inventors: **Zbigniew Kulig**, Wadsworth, IL (US);
Piotr Rulka, Krakow (PL)

(73) Assignee: **Graff Faucets**, Milwaukee, WI (US)

(**) Term: **14 Years**

(21) Appl. No.: **29/200,361**

(22) Filed: **Feb. 26, 2004**

(51) **LOC (8) Cl.** **23-01**

(52) **U.S. Cl.** **D23/238**

(58) **Field of Search** D23/238–257;
4/675–678; 137/801

(56) **References Cited**

U.S. PATENT DOCUMENTS

D351,218 S	10/1994	Sieger	
D463,529 S	* 9/2002	Dretzka	D23/238
D463,530 S	* 9/2002	Dretzka	D23/238
D463,848 S	10/2002	Haug et al.	
D466,979 S	* 12/2002	Shulz	D23/238
D468,397 S	* 1/2003	Czerwinski, Jr.	D23/238
D470,224 S	* 2/2003	Hanna	D23/238
D472,607 S	* 4/2003	Warshawsky et al.	D23/238
D472,961 S	4/2003	Ziemann	
D477,052 S	* 7/2003	Kollmann et al.	D23/238
D487,798 S	* 3/2004	Bayer	D23/238
D489,795 S	* 5/2004	Kulig et al.	D23/238
D499,795 S	* 12/2004	Bayer	D23/238

OTHER PUBLICATIONS

- Kulig, Zbigniew, U.S. Appl. No. 29/200,362, filed Feb. 26, 2004.*
 Kulig, Zbigniew, U.S. Appl. No. 29/210,960, filed Aug. 9, 2004.*
 Kulig, Zbigniew, U.S. Appl. No. 29/200,374, filed Feb. 26, 2004.*
 Kulig, Zbigniew, U.S. Appl. No. 29/200,372, filed Feb. 26, 2004.*
 Kulig, Zbigniew, U.S. Appl. No. 29/200,370, filed Feb. 26, 2004.*

- Kulig, Zbigniew et al., U.S. Appl. No. 292/00,367, filed Feb. 26, 2004.*
 Kulig, Zbigniew et al., U.S. Appl. No. 29/200,363, filed Feb. 26, 2004.*
 Kulig, Zbigniew et al., U.S. Appl. No. 29/200,364, filed Feb. 26, 2004.*
 Kulig, Zbigniew et al., U.S. Appl. No. 29/200,375, filed Feb. 26, 2004.*
 Kulig, Zbigniew et al., U.S. Appl. No. 29/200,369, filed Feb. 26, 2004.*
 Kulig, Zbigniew et al., U.S. Appl. No. 29/200,368, filed Feb. 26, 2004.*
 Kulig, Zbigniew, U.S. Appl. No. 29/200,371, filed Feb. 26, 2004.*
 Kulig, Zbigniew, U.S. Appl. No. 29/200,366, filed Feb. 26, 2004.*
 Kulig, Zbigniew et al., U.S. Appl. No. 29/200,373, filed Feb. 26, 2004.*

(Continued)

Primary Examiner—Louis S. Zarfaz
Assistant Examiner—Gregory Andoll
 (74) *Attorney, Agent, or Firm*—Boyle Fredrickson
 Newholm Stein & Gratz S.C.

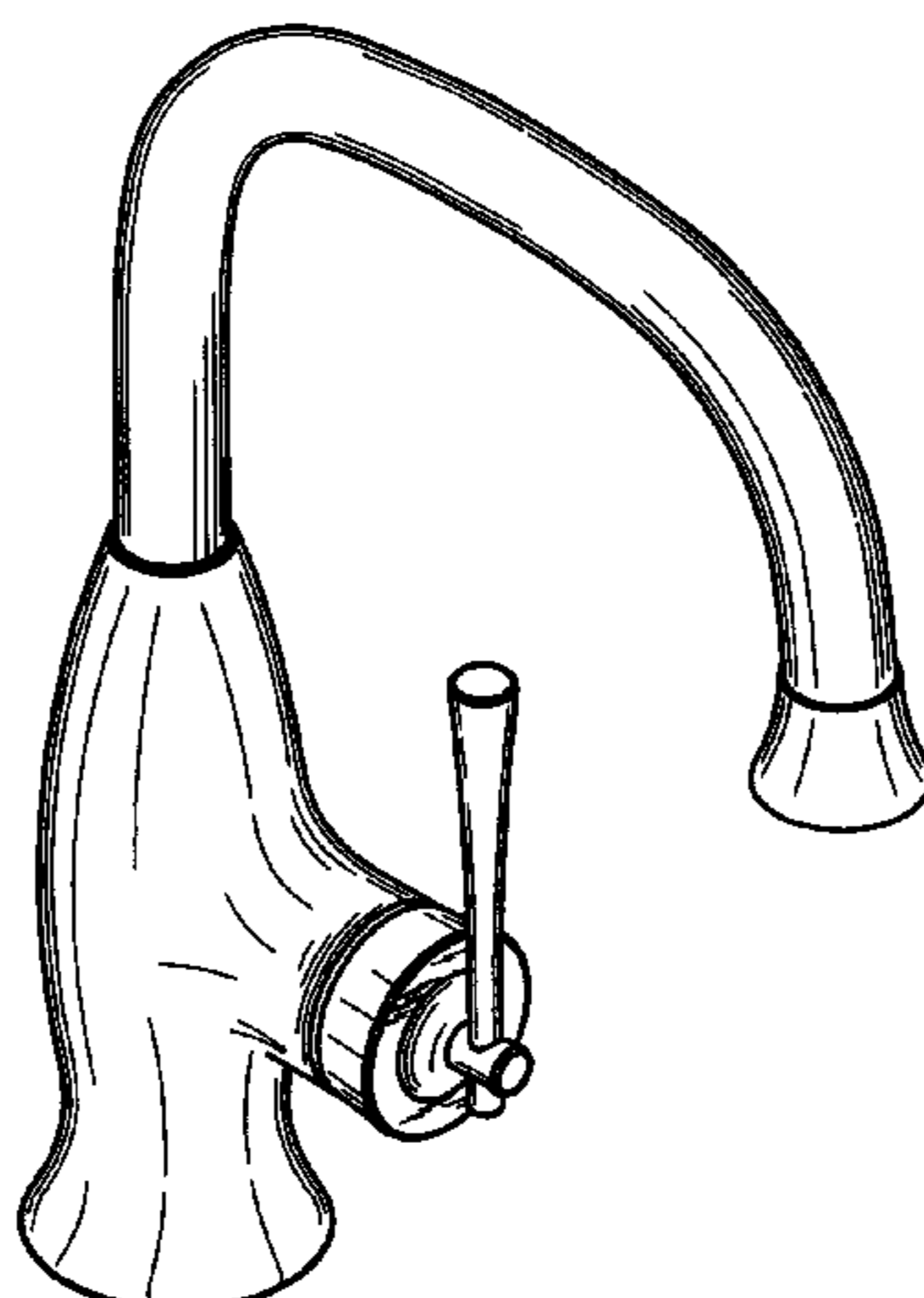
(57) **CLAIM**

The ornamental design for a faucet, as shown and described.

DESCRIPTION

FIG. 1 is perspective view of a faucet incorporating our new design, viewed from in front of, above, and from the left side of the faucet;
 FIG. 2 is a front elevation view thereof;
 FIG. 3 is a rear elevation view thereof;
 FIG. 4 is a top plan view thereof;
 FIG. 5 is a bottom plan view thereof; and,
 FIG. 6 is a left-side elevation view thereof, with the right side being a mirror image of the left side.
 The broken lines in the Figures are for illustrative purposes only and form no part of the claimed design.

1 Claim, 6 Drawing Sheets



OTHER PUBLICATIONS

Kulig, Zbigniew, U.S. Appl. No. 29/200,365, filed Feb. 26, 2004.*

Kulig, Zbigniew, U.S. Appl. No. 29/200,423, filed Feb. 26, 2004.*

Kulig, Zbigniew et al., U.S. Appl. No. 29/203,608, filed Apr. 16, 2004.*

Kulig, Zbigniew et al., U.S. Appl. No. 29/203,606, filed Apr. 16, 2004.*

Kulig, Zbigniew, U.S. Appl. No. 29/206,908, filed Jun 4, 2004.*

Kulig, Zbigniew, U.S. Appl. No. 29/211,662, filed Aug. 19, 2004.*

Kulig, Zbigniew, U.S. Appl. No. 29/220,253, filed Dec 28, 2004.*

Kulig, Zbigniew, U.S. Appl. No. 29/220,262, filed Dec 28, 2004.*

Kulig, Zbigniew, U.S. Appl. No. 29/220,263, filed Dec 28, 2004.*

Kulig, Zbigniew, U.S. Appl. No. 29/220,235, filed Dec. 28, 2004.*

Kulig, Zbigniew, U.S. Appl. No. 29/220,197, filed Dec. 28, 2004.*

Kulig, Zbigniew, U.S. Appl. No. 29/220,238, filed Dec. 28, 2004.*

Kulig, Zbigniew, U.S. Appl. No. 29/220,248, filed Dec. 28, 2004.*

Kulig, Zbigniew, U.S. Appl. No. 29/220,239, filed Dec. 28, 2004.*

* cited by examiner

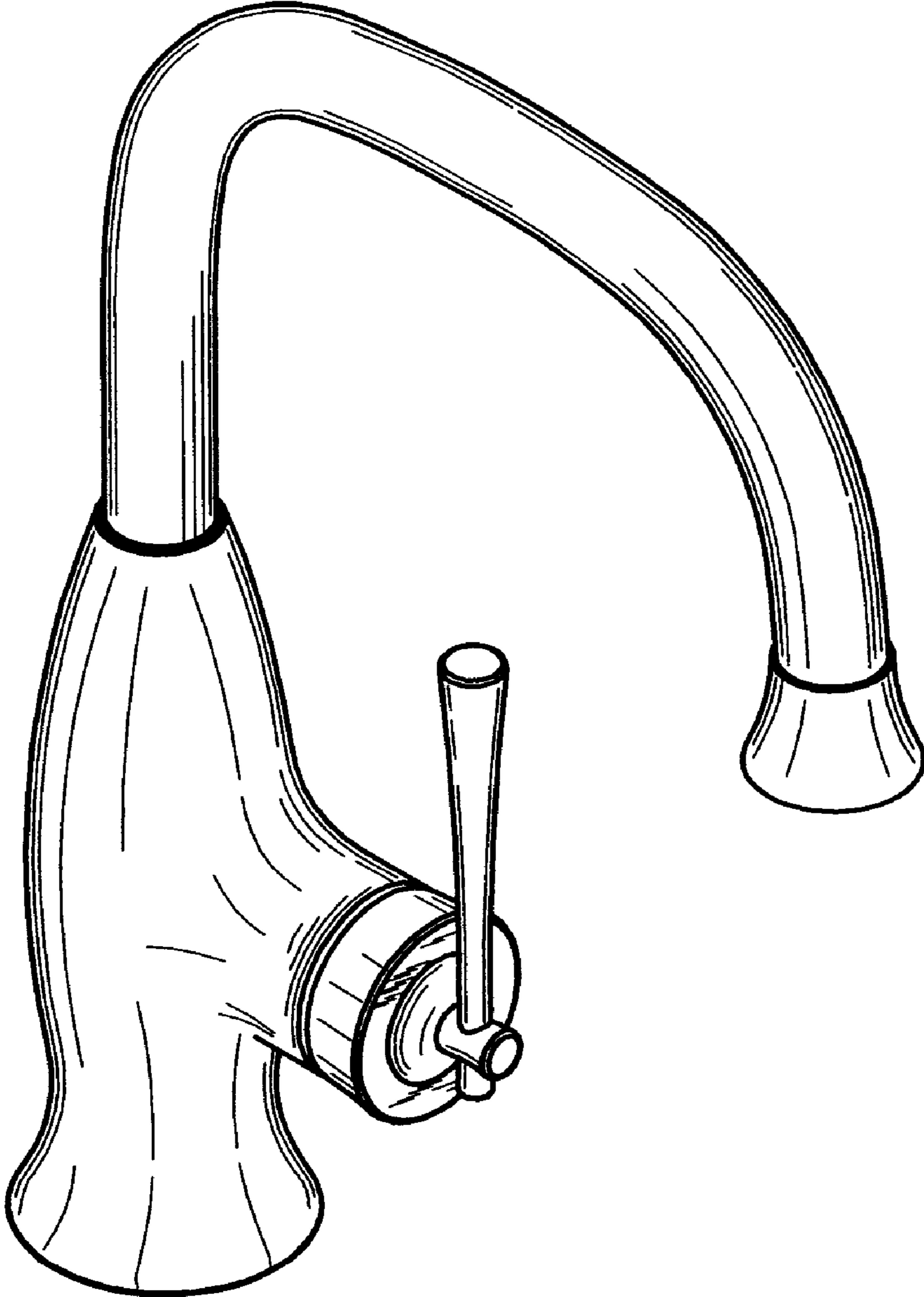


FIG. 1

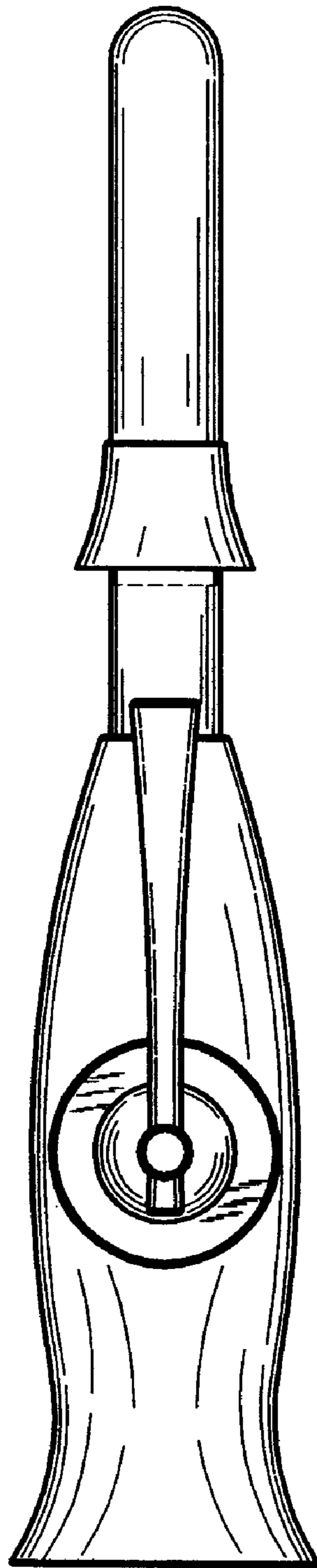


FIG. 2

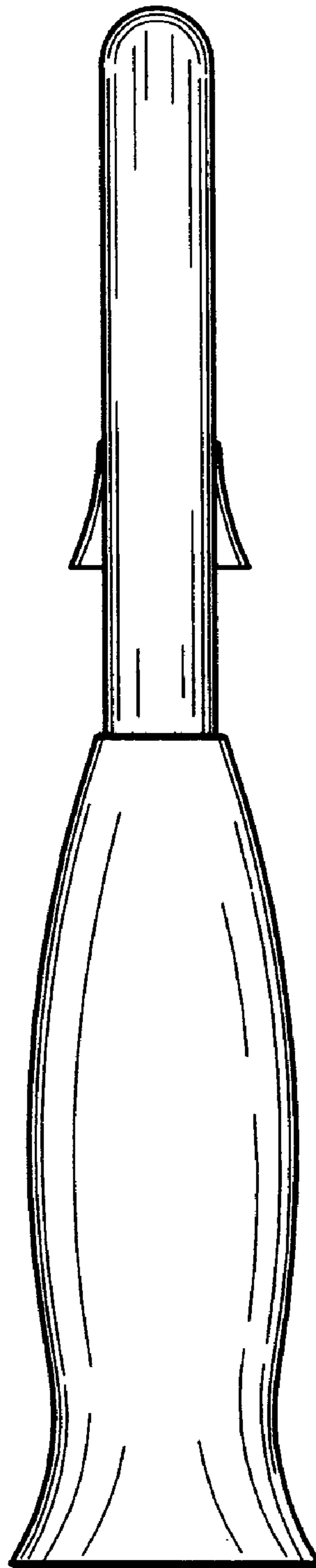


FIG. 3

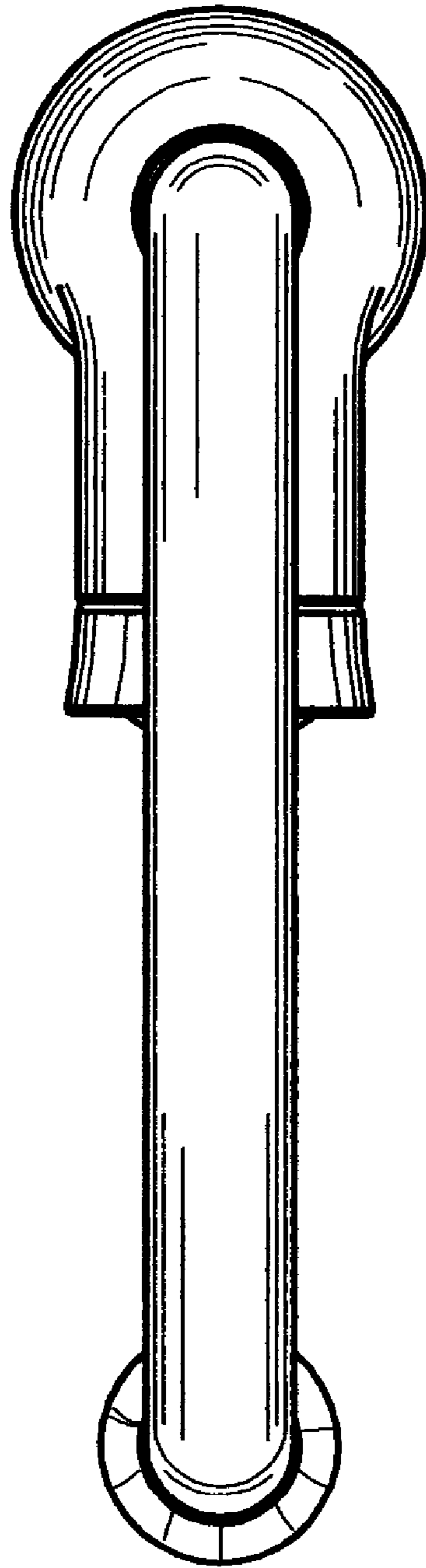


FIG. 4

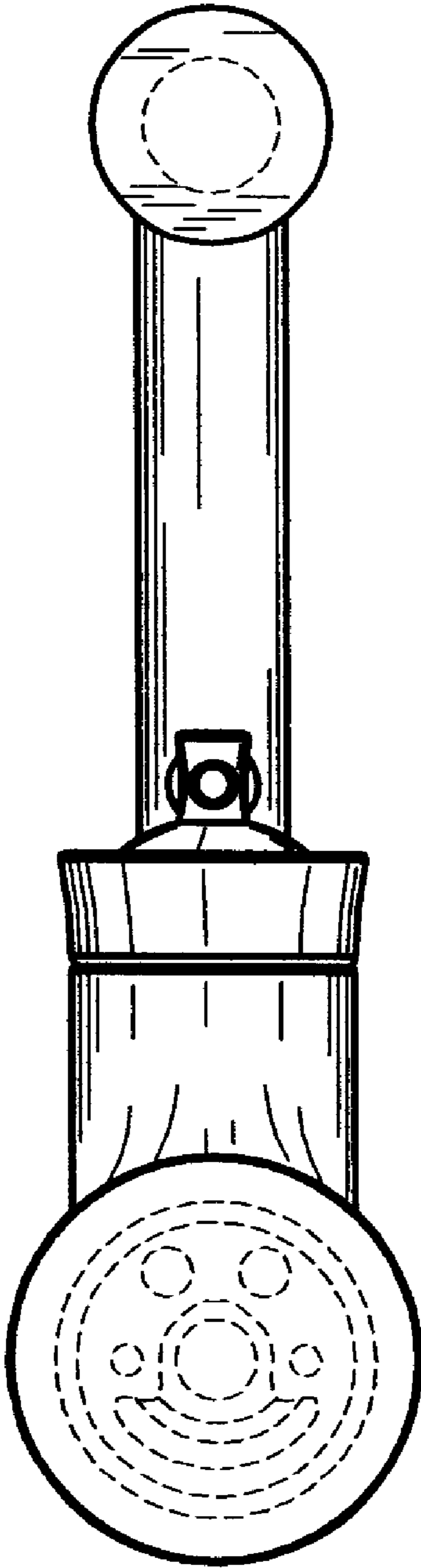


FIG. 5

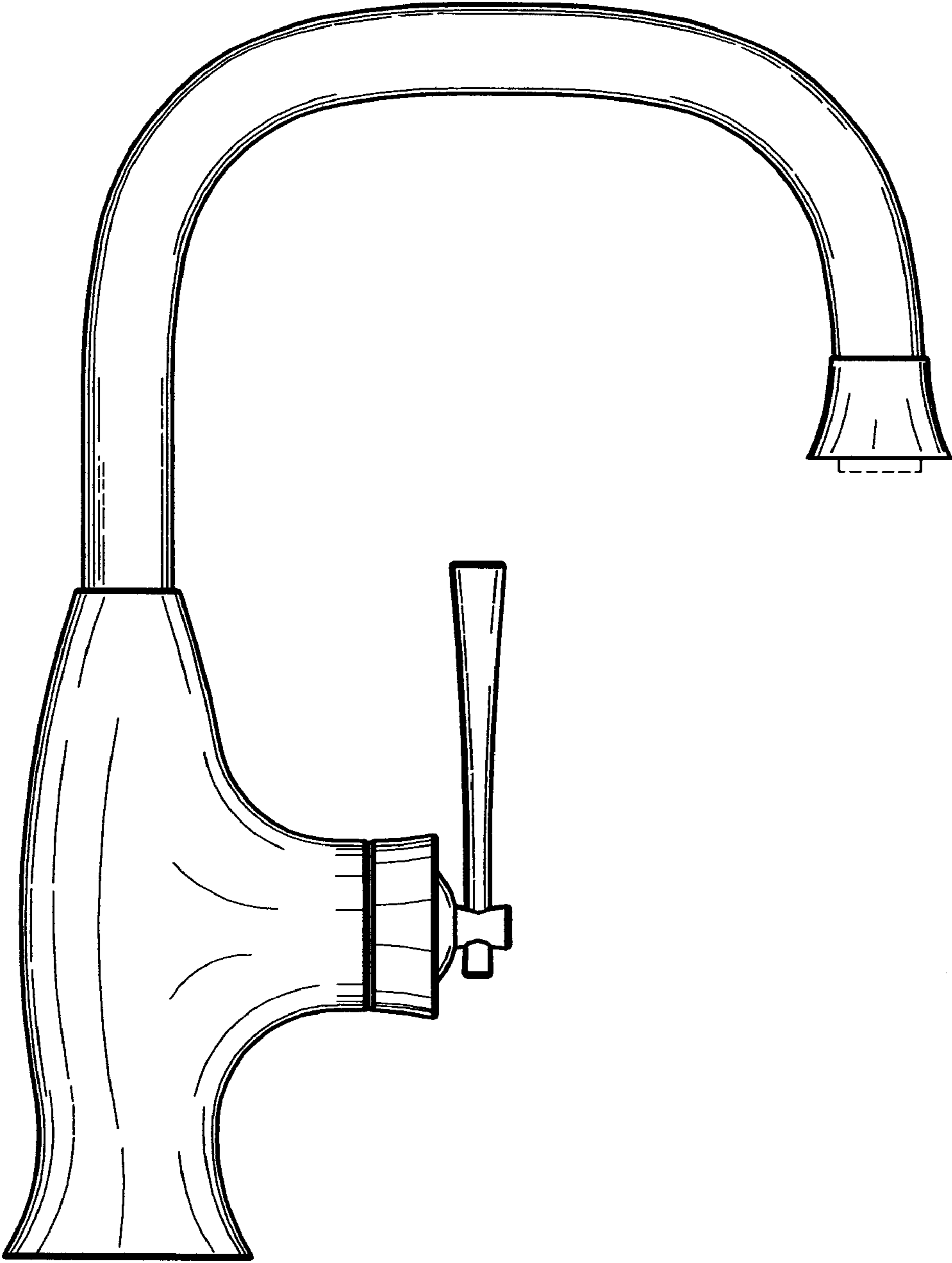


FIG. 6