



US00D511198S

(12) **United States Design Patent** (10) **Patent No.:** **US D511,198 S**
Flick (45) **Date of Patent:** **** Nov. 1, 2005**

(54) **MAGNETIC TREATMENT DEVICE FOR FLUIDS**

(75) Inventor: **Kenneth E. Flick**, Douglasville, GA (US)

(73) Assignee: **Omega Patents, L.L.C.**, Douglasville, GA (US)

(**) Term: **14 Years**

(21) Appl. No.: **29/217,257**

(22) Filed: **Nov. 15, 2004**

Related U.S. Application Data

(60) Division of application No. 29/202,333, filed on Mar. 30, 2004, now Pat. No. Des. 500,118, which is a continuation of application No. 10/164,750, filed on Jun. 6, 2002, and a continuation of application No. 10/368,704, filed on Feb. 18, 2003.

(51) **LOC (8) Cl.** **23-01**

(52) **U.S. Cl.** **D23/207; D32/55**

(58) **Field of Search** **D23/207, 209; D32/55; D7/403; 426/237; 210/222, 223, 695; 335/302, 306**

(56) **References Cited**

U.S. PATENT DOCUMENTS

824,320 A	8/1906	Weitzmann	426/237
3,831,743 A	8/1974	Leedy	206/338
4,605,498 A	8/1986	Kulish	210/222
4,872,401 A	10/1989	Lee	99/275
4,888,113 A	12/1989	Holcomb	210/222
4,999,106 A	3/1991	Schindler	210/222
5,113,751 A	5/1992	Holcomb et al.	99/286
5,248,437 A	9/1993	Forrest	210/695
5,304,302 A	4/1994	Bossert	210/222
5,411,143 A *	5/1995	Greene	210/222
5,500,121 A	3/1996	Thornton et al.	210/222
5,556,654 A	9/1996	Fregeau	426/234
5,571,481 A	11/1996	Powell et al.	422/104

5,766,461 A	6/1998	Kämpf	210/222
5,804,068 A	9/1998	Reed	210/222
5,860,353 A	1/1999	Ceccarani	99/277.1
5,891,331 A	4/1999	Yang	210/222
5,942,161 A	8/1999	Pate	261/91
6,022,479 A	2/2000	Smirnov	210/695

(Continued)

FOREIGN PATENT DOCUMENTS

EP	2702756	7/1978 C02F/1/48
JP	361125486 A	6/1986 426/237
JP	362107752 A	5/1987 426/237
JP	1148175 A	6/1989 A23L/3/26
JP	1257473 A	10/1989 C12H/1/16

OTHER PUBLICATIONS

Playboy Magazine, Oct. 1987, p. 184, "Magnetic Attraction".

Buy-A-Mag Company, Magnetic Cups, available at www.buyamag.com/cgi-bin/html/magnetic_cup.htm.

MagnetiCare, Rejuv Magnetic Liquid, available at www.rx-magnets.com.

Giovanni Cosmetics, Magnetic Energizing Shampoo, available at www.pacwestserv.com/haircare10.htm.

Primary Examiner—Robin V. Taylor

(74) *Attorney, Agent, or Firm*—Allen, Dyer, Doppelt, Milbrath & Gilchrist, P.A.

(57) **CLAIM**

The ornamental design for a magnetic treatment device for fluids, as shown and described.

DESCRIPTION

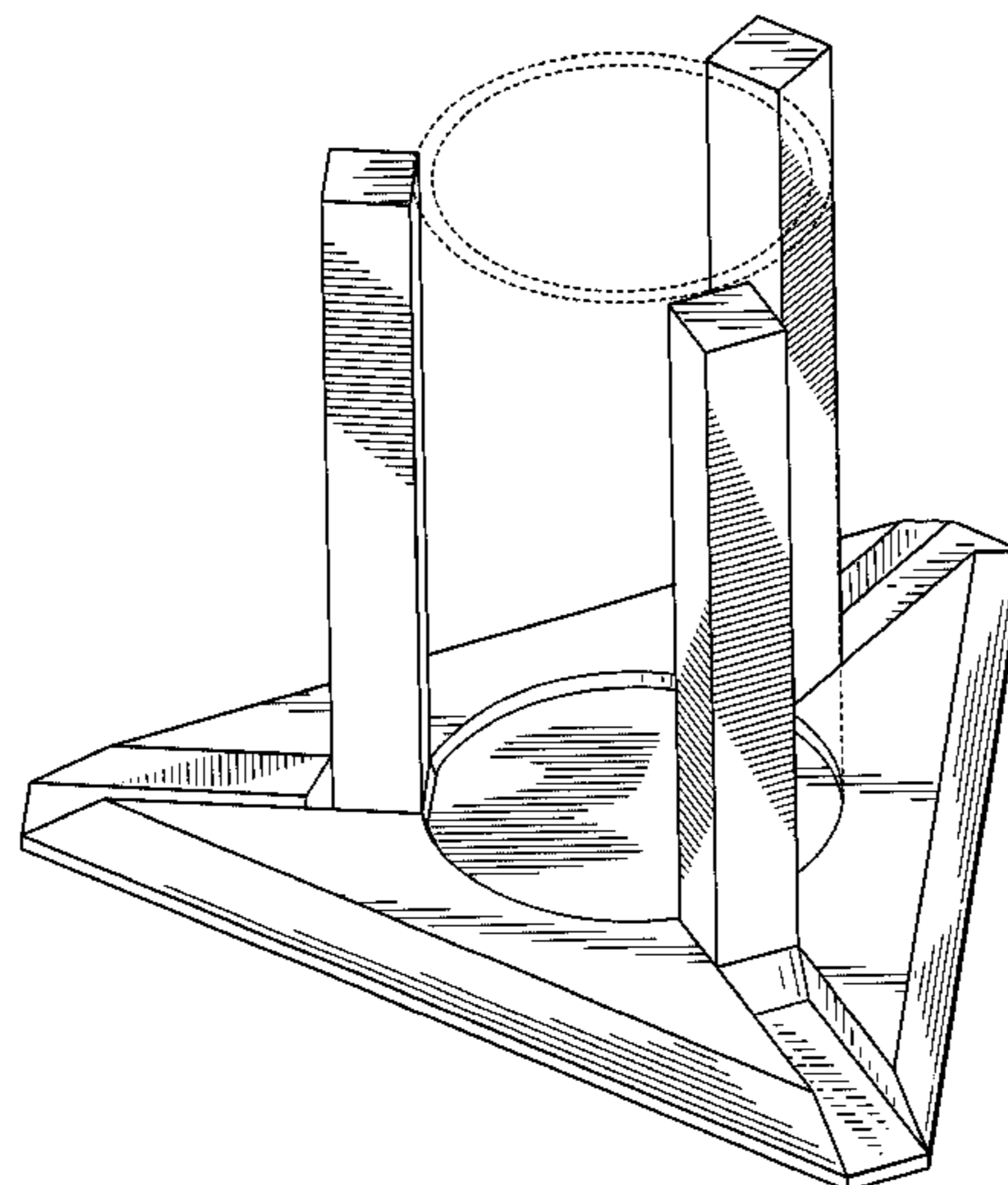
FIG. 1 is a perspective view of a magnetic treatment device for fluids showing my new design;

FIG. 2 is a top view thereof;

FIG. 3 is a bottom view thereof; and,

FIG. 4 is a side view thereof.

1 Claim, 4 Drawing Sheets



US D511,198 S

Page 2

U.S. PATENT DOCUMENTS

6,190,517 B1 *	2/2001	Davis et al.	204/298.16	6,325,942 B1	12/2001	Freije, III	210/695
6,193,892 B1 *	2/2001	Krueger et al.	210/695	6,390,319 B1	5/2002	Yu	220/230
6,287,614 B1	9/2001	Peiffer	426/237	D465,891 S *	11/2002	Brown	D32/55
6,305,656 B1	10/2001	Wemyss	248/309.4	6,716,346 B1 *	4/2004	Chang	210/222
6,319,913 B1	11/2001	Mak et al.	514/179	6,758,968 B2 *	7/2004	Ashton	210/222

* cited by examiner

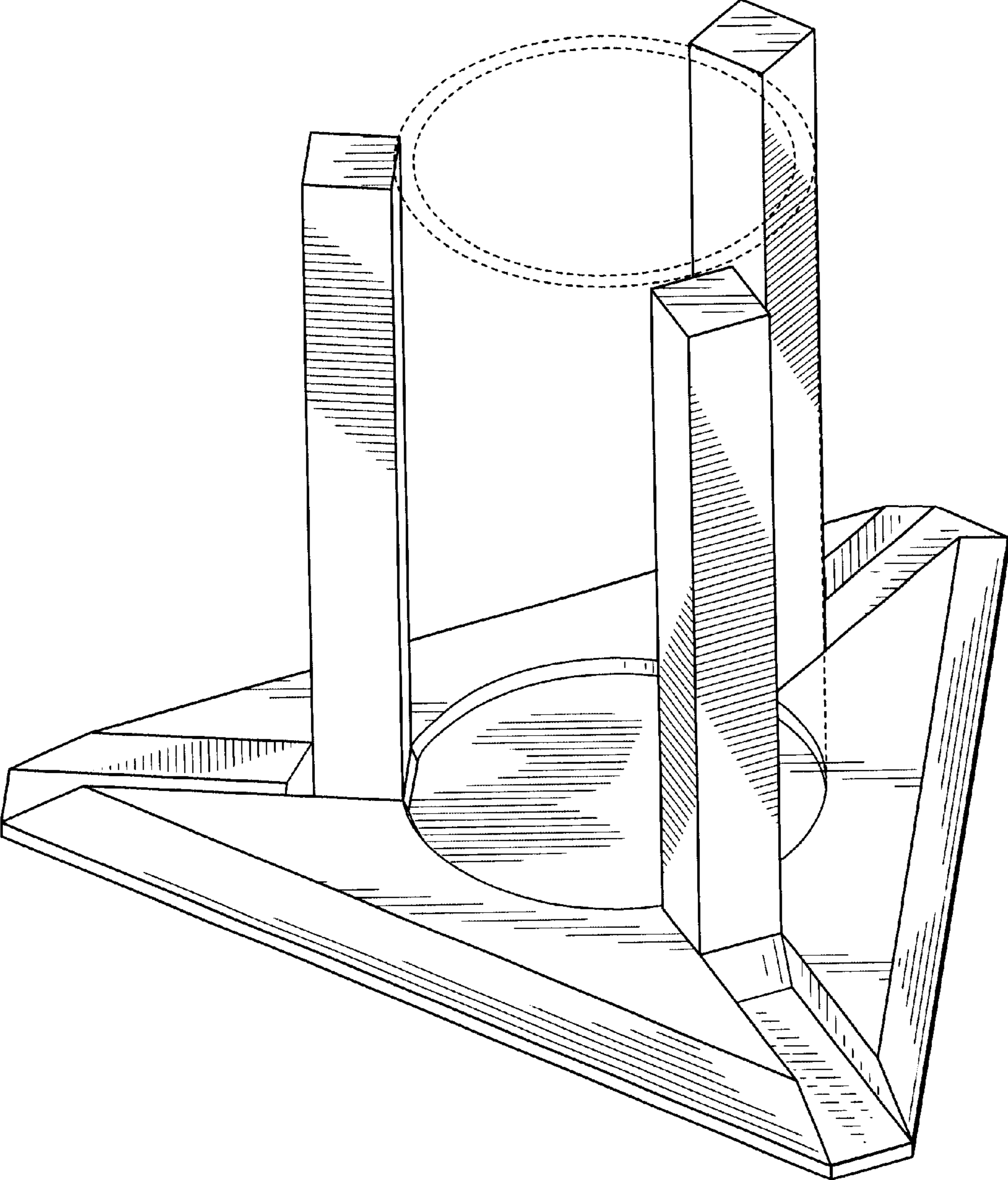


FIGURE 1

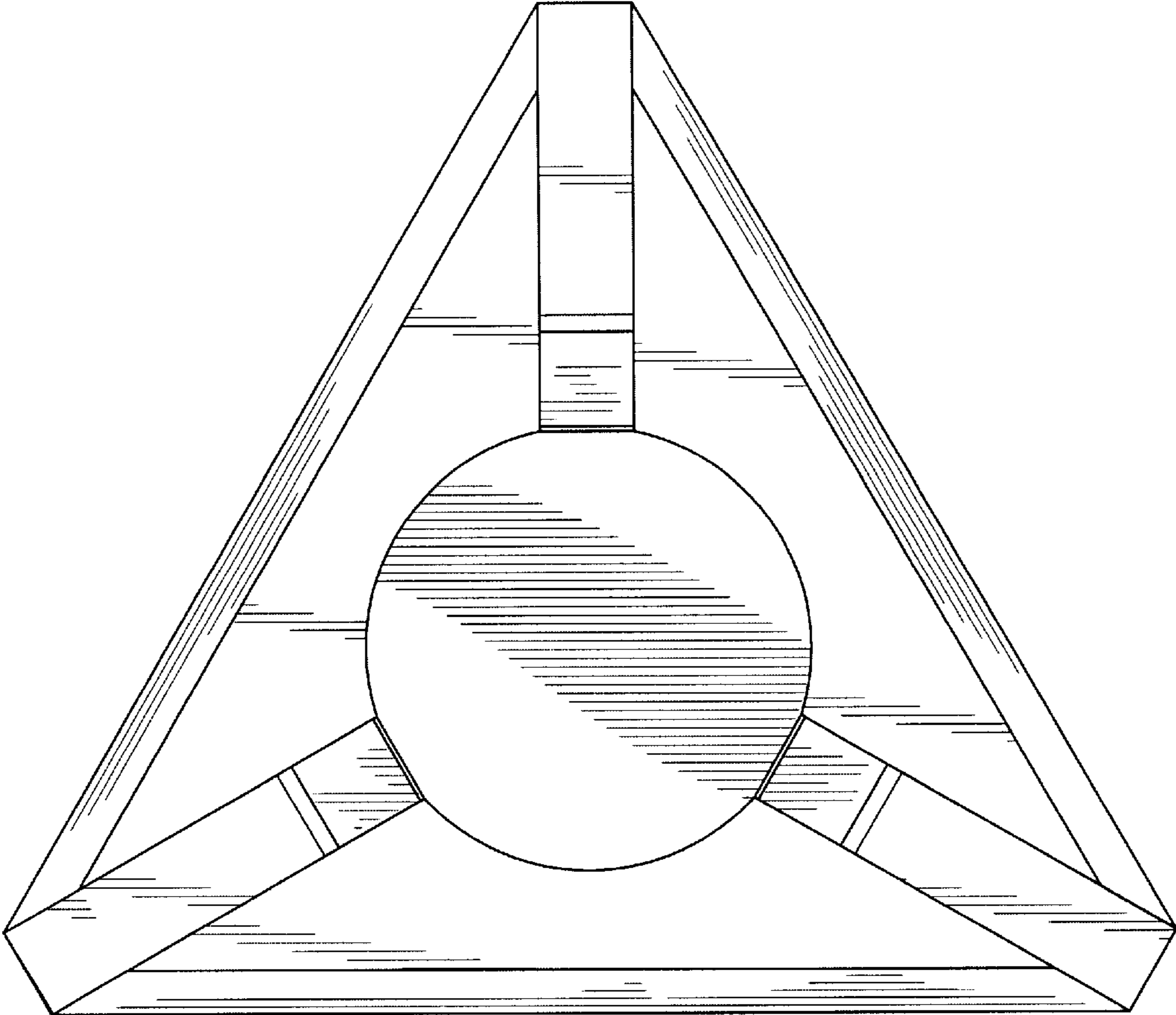


FIGURE 2

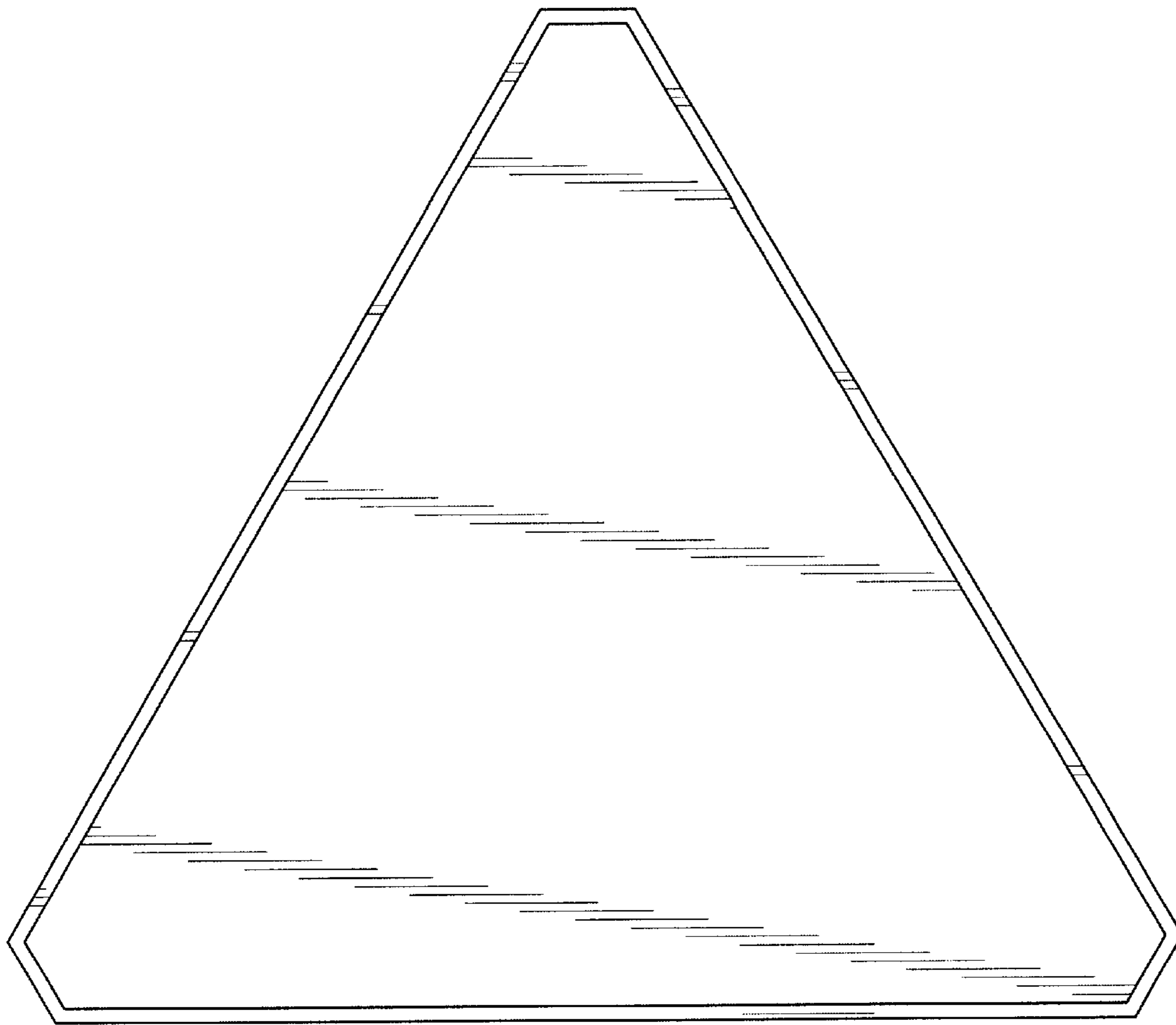


FIGURE 3

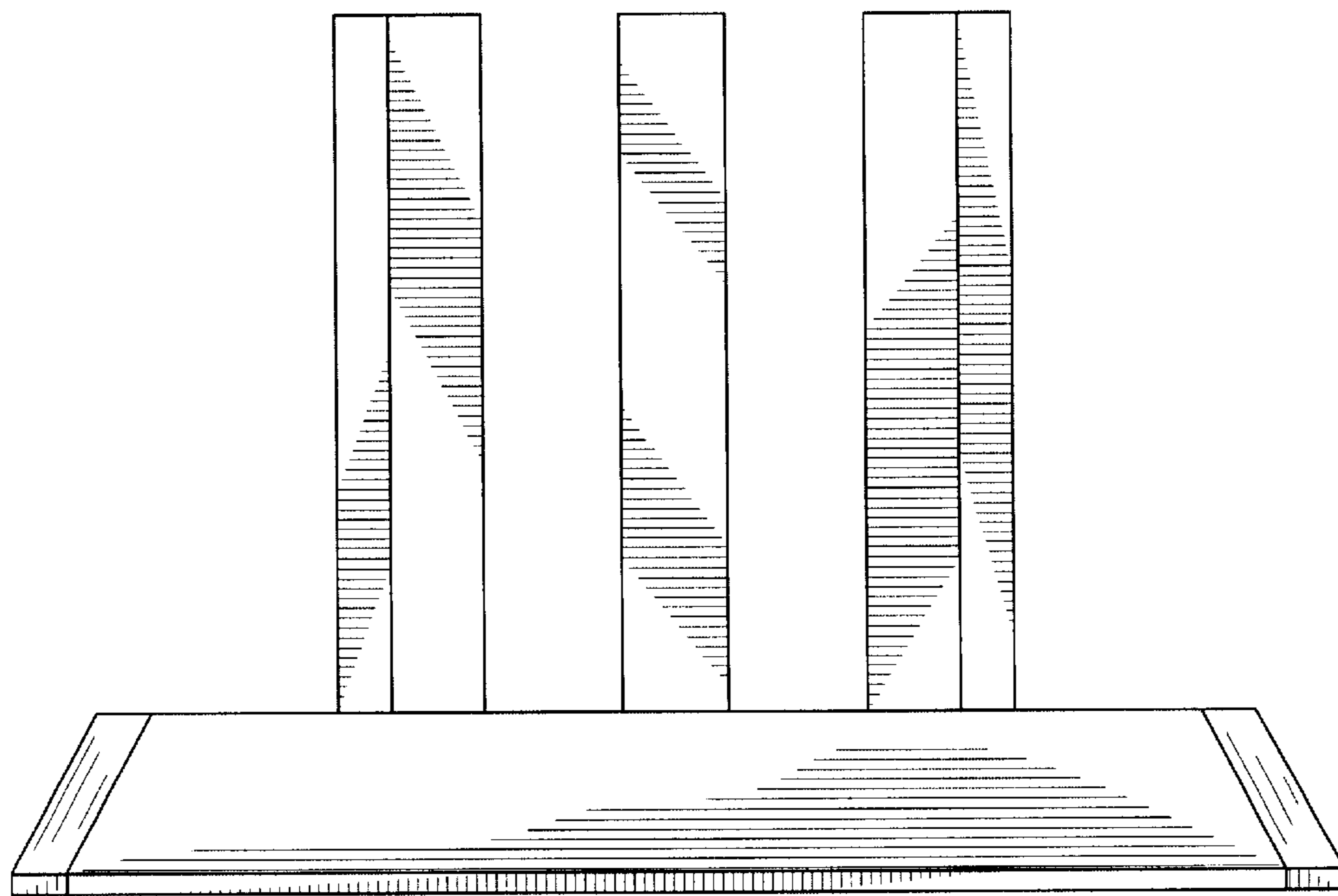


FIGURE 4