



US00D511195S

(12) **United States Design Patent** (10) **Patent No.:** **US D511,195 S**
Gouyet (45) **Date of Patent:** **** Nov. 1, 2005**

(54) **GOLF CLUB**

(76) Inventor: **Francois Gouyet**, 76 Chemim de la Tere de Lion, 04130 Grasse (FR)

(**) Term: **14 Years**

(21) Appl. No.: **29/201,285**

(22) Filed: **Mar. 11, 2004**

(51) **LOC (8) Cl.** **21-02**

(52) **U.S. Cl.** **D21/759**

(58) **Field of Search** D21/736-746,
D21/759; 473/324-331, 251-256, 340,
341; D20/10, 11

(56) **References Cited**

U.S. PATENT DOCUMENTS

3,333,884	A	*	8/1967	Melbye	296/173
4,809,981	A	*	3/1989	Doran et al.	473/249
4,928,971	A	*	5/1990	Soles, Jr.	473/249
D449,344	S	*	10/2001	Curry	D20/11
D457,586	S	*	5/2002	Tang et al.	D21/759
D461,515	S	*	8/2002	Tang et al.	D21/742
D461,860	S	*	8/2002	Tang	D21/742
D467,985	S	*	12/2002	Tang et al.	D21/742
D483,824	S	*	12/2003	Tang et al.	D21/738
D485,323	S		1/2004	Wagner et al.		
D499,777	S	*	12/2004	Yamamoto	D21/742

OTHER PUBLICATIONS

Golfsmith Clubmaker, vol. 12, No. 5; June 2003; putters on p. 8.*
Edwin Watts Golf; Summer 2004; p. 11; 2-ball putter w/ alignment.*

<http://www.iznadgolf.com/higobepu.html> web site; 2005.*
Heartland America, Rawlings 3 Ball Putter <http://www.heartlandamerica.com/Item/default.asp?SKU=58331&Cat=1025&SubCat=110> . . . , no date.
ebay, Men's Golf Clubs—Quest Two Ball Putter <http://www.cgi.ebay.com/ws/eBayISAPI.dll?ViewItem&item=3662212181>, no date.
ebay, Men's Golf Clubs Two Ball Putter <http://www.cgi.ebay.com/us/eBayISAPI.dll?ViewItem&item=3662123432>, no date.

* cited by examiner

Primary Examiner—Mitchell Siegel
(74) *Attorney, Agent, or Firm*—Richard P. Gilly; Fish & Richardson P.C.

(57) **CLAIM**

The ornamental design for a golf club, as shown and described.

DESCRIPTION

FIG. 1 is a perspective view of a mallet putter head in accordance with one aspect of this invention.

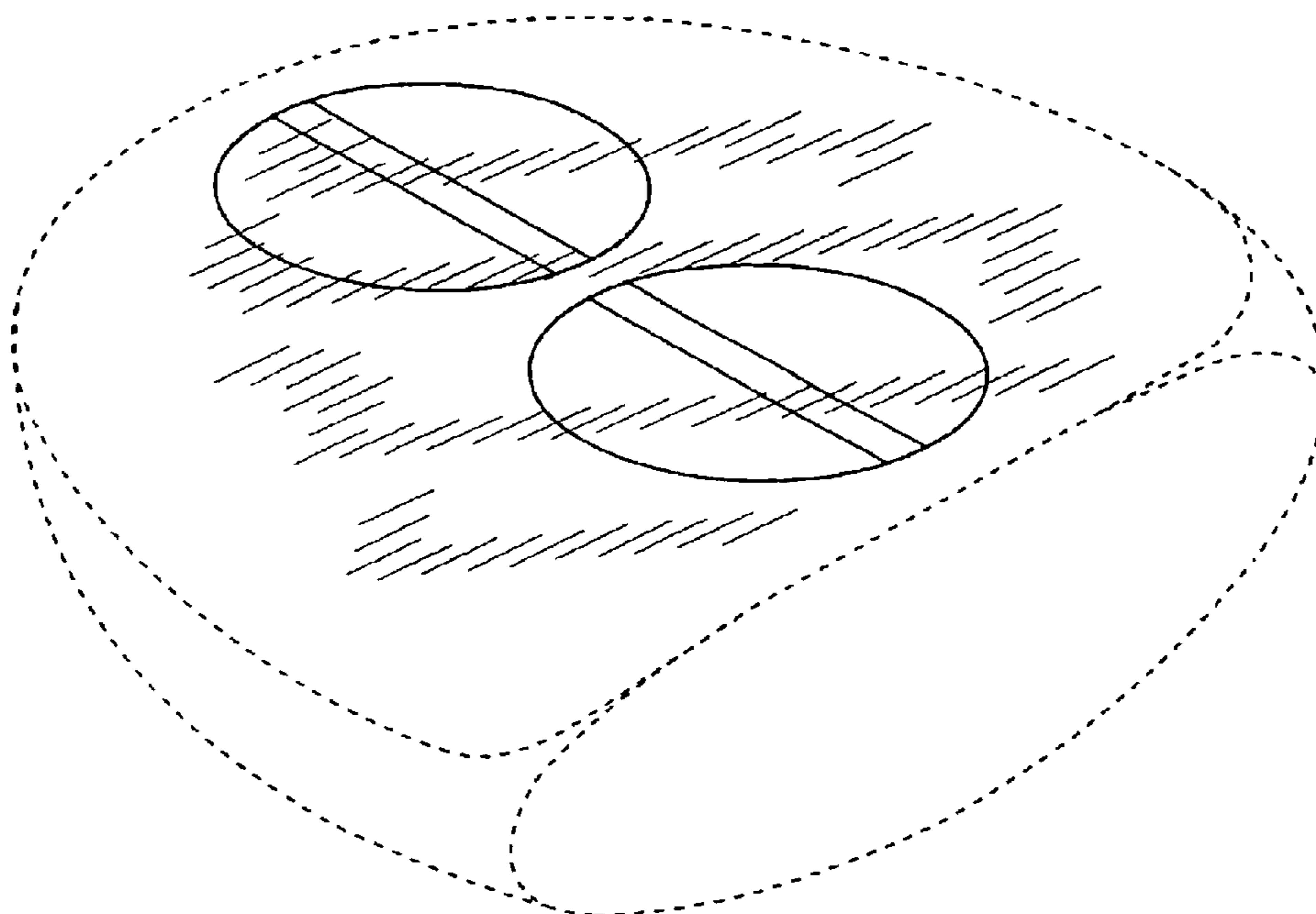
FIG. 2 is a top view of the FIG. 1.

FIG. 3 is a perspective view of a second embodiment of a mallet putter in accordance with this invention; and,

FIG. 4 is a top plan view of FIG. 3.

The broken line showing is for illustrative purposes only and forms no part of the claimed design.

1 Claim, 2 Drawing Sheets



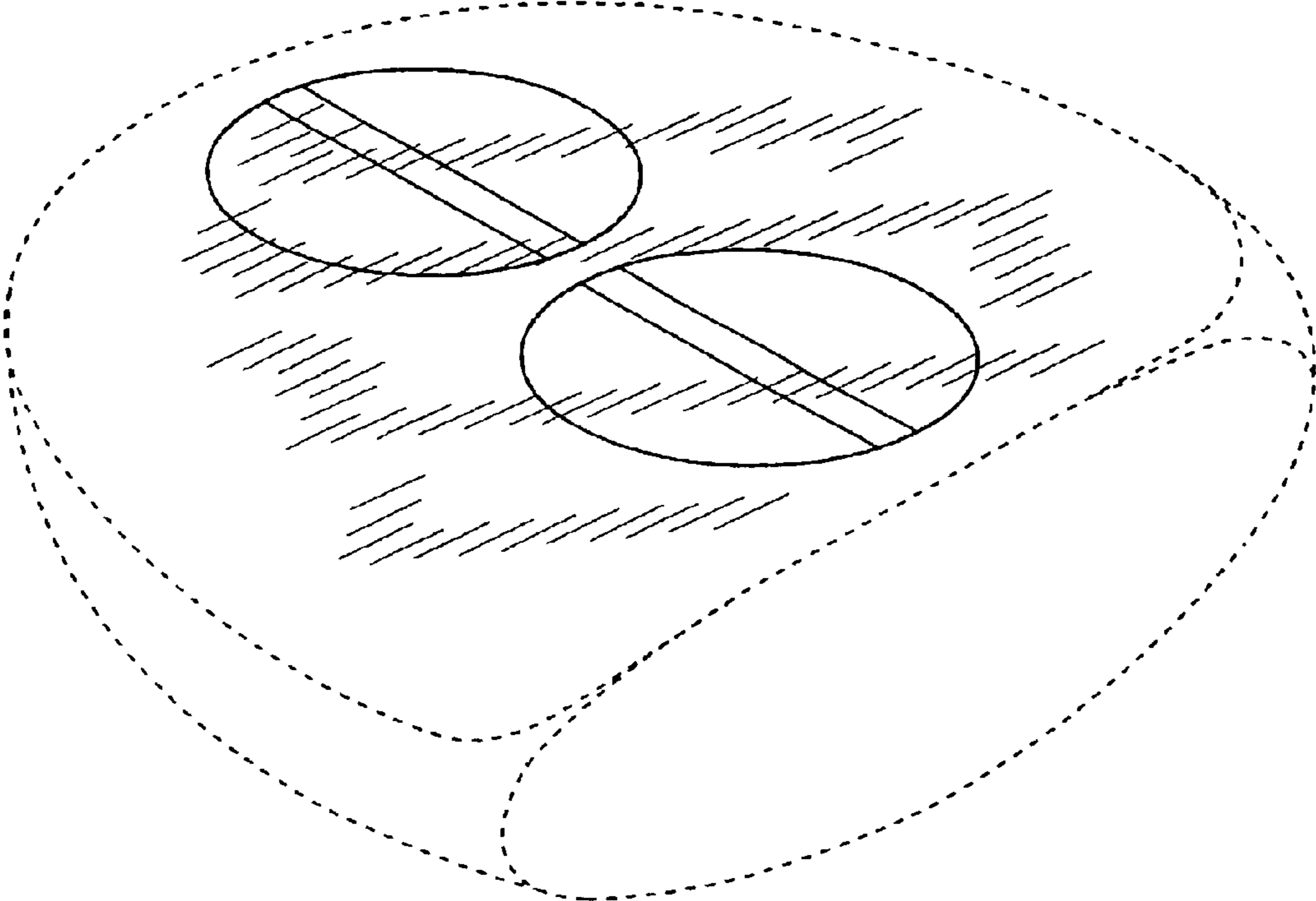


FIG. 1

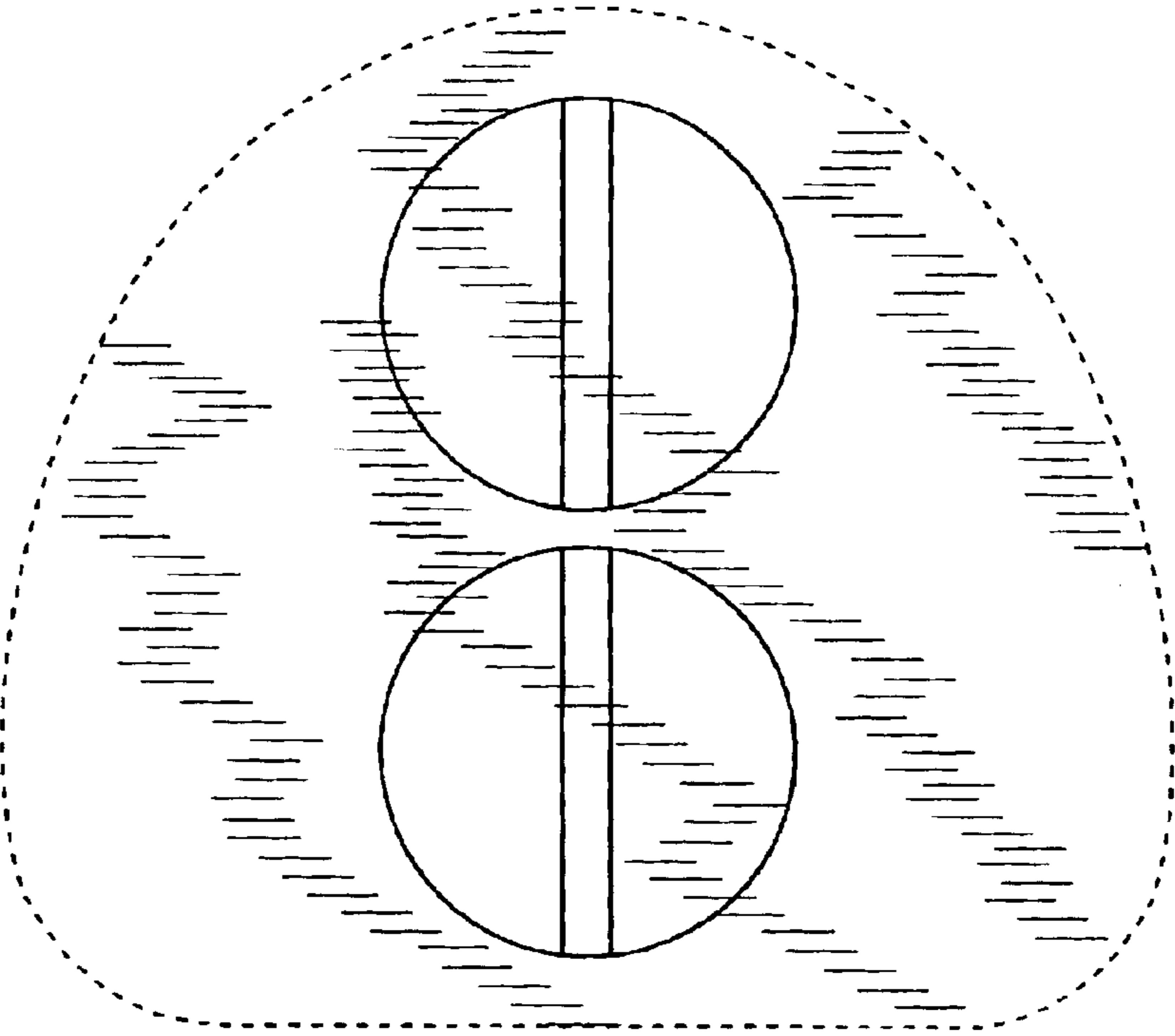


FIG. 2

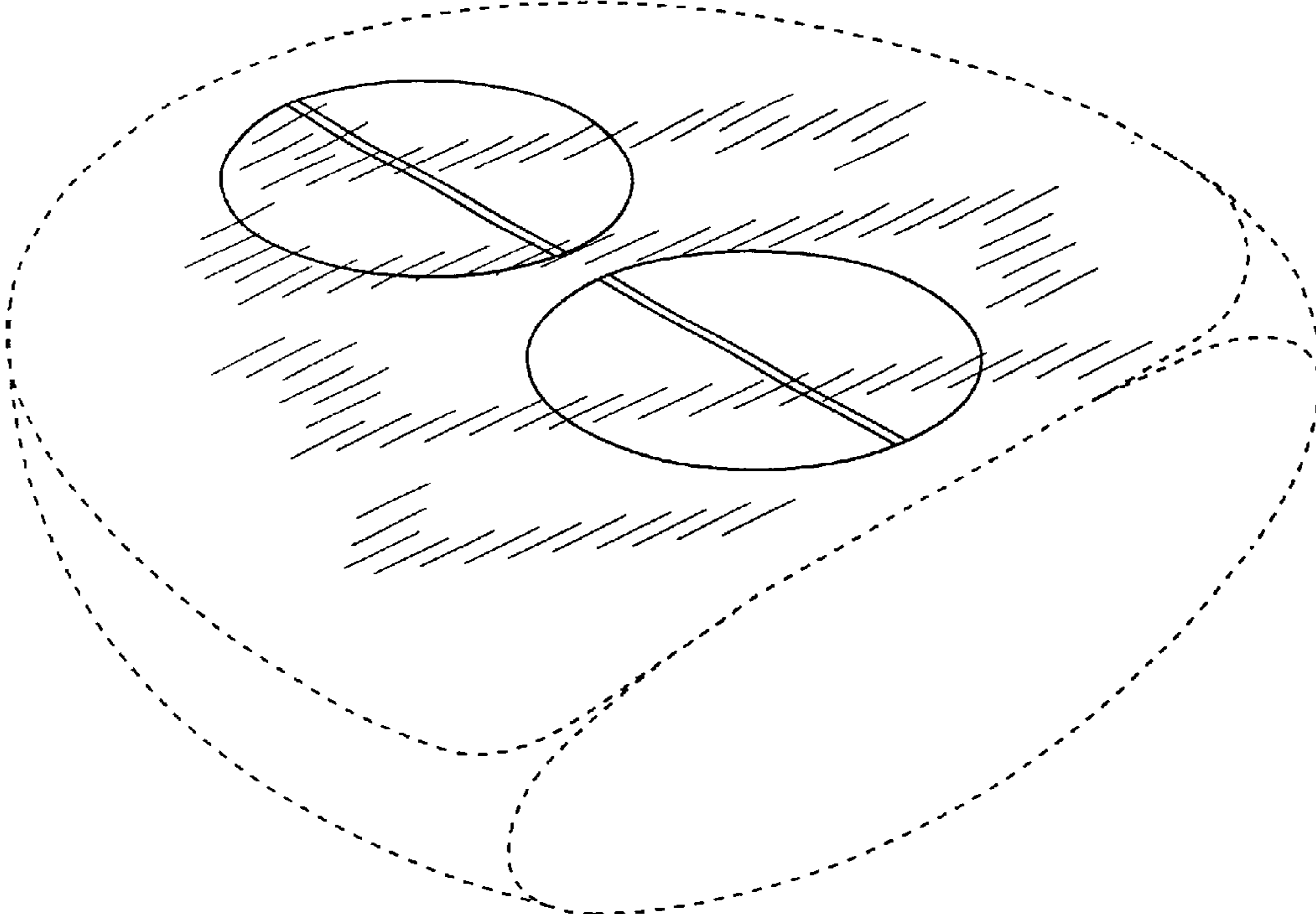


FIG. 3

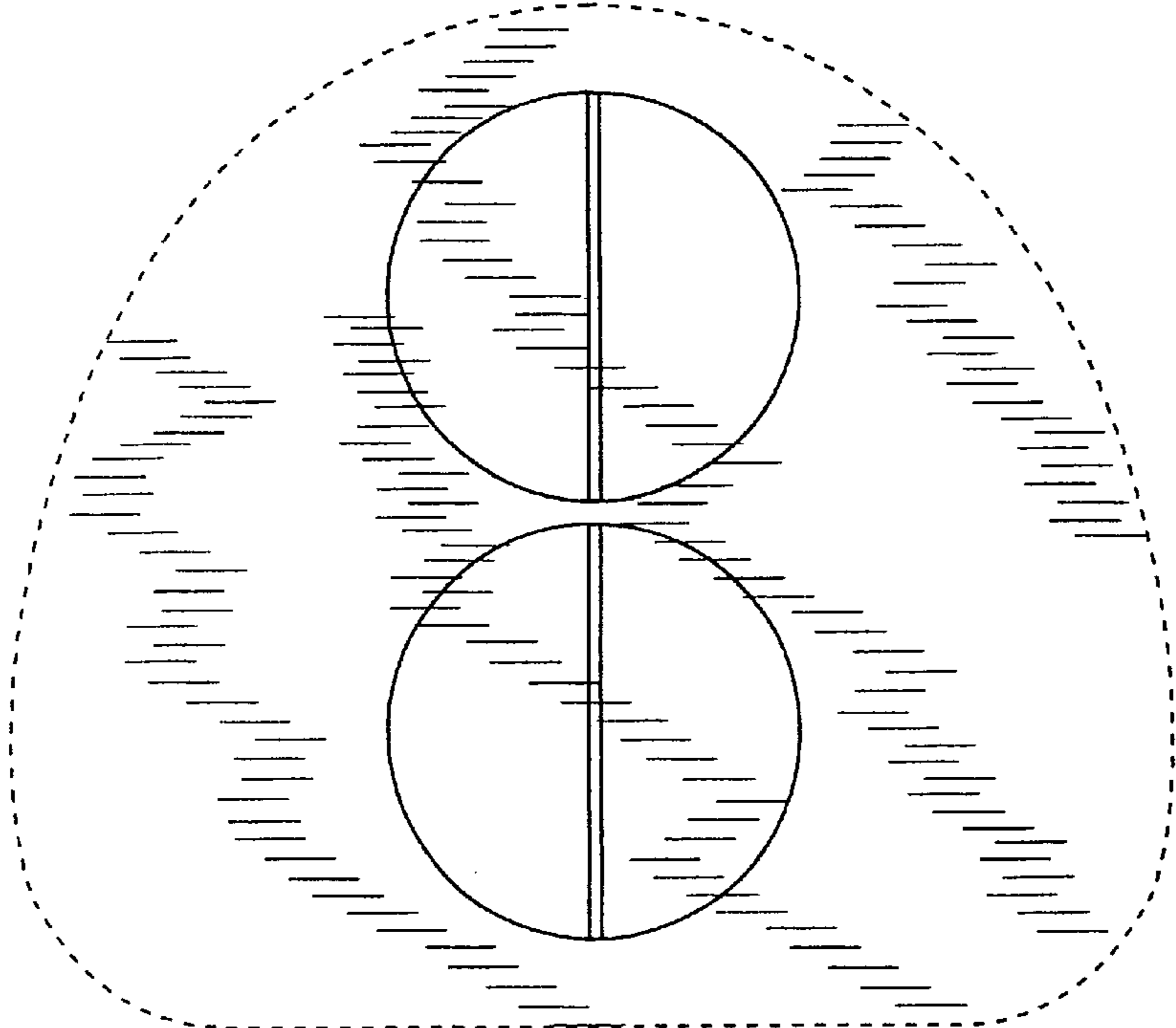


FIG. 4