



US00D511189S

(12) **United States Design Patent**  
**Panatta**

(10) **Patent No.:** **US D511,189 S**

(45) **Date of Patent:** **\*\* Nov. 1, 2005**

(54) **BODY-BUILDING MACHINE**

(76) **Inventor:** **Rodolfo Panatta**, Via Madonna della Fonte, 2, 62021-Apiro (MC) (IT)

(\*\*) **Term:** **14 Years**

(21) **Appl. No.:** **29/198,026**

(22) **Filed:** **Jan. 23, 2004**

(51) **LOC (8) Cl.** ..... **21-02**

(52) **U.S. Cl.** ..... **D21/673**

(58) **Field of Search** ..... D21/662, 673,  
D21/674, 675, 676; 482/93, 94, 95, 97,  
98, 99, 100, 101, 133, 134, 135, 137, 138

(56) **References Cited**

**U.S. PATENT DOCUMENTS**

4,199,139	A	*	4/1980	Mahnke et al.	.....	482/101
4,632,388	A	*	12/1986	Schleffendorf	.....	482/102
D291,340	S	*	8/1987	Cooper	.....	D21/673
4,775,146	A	*	10/1988	Stankovic	.....	482/102
4,784,384	A	*	11/1988	Deola	.....	482/99
5,135,453	A	*	8/1992	Sollenberger	.....	482/101
5,184,992	A	*	2/1993	Banks	.....	482/104
6,299,568	B1	*	10/2001	Prok	.....	482/98
6,443,877	B1	*	9/2002	Hoecht et al.	.....	482/103
6,488,612	B2	*	12/2002	Sechrest et al.	.....	482/103
6,565,490	B2	*	5/2003	O'Hearn	.....	482/102

2001/0034290	A1	*	10/2001	Tolles	.....	482/99
2002/0091043	A1	*	7/2002	Rexach	.....	482/98

**OTHER PUBLICATIONS**

Gopher Catalog, Fall 2003, pp. 230 and 240, Power Source Selectorized Machines.\*

BSN Sports Catalog, Fall 2002, p. 24, Cable Crossover Machine.\*

\* cited by examiner

*Primary Examiner*—Philip S. Hyder

(74) *Attorney, Agent, or Firm*—Armstrong, Kratz, Quintos, Hanson & Brooks, LLP

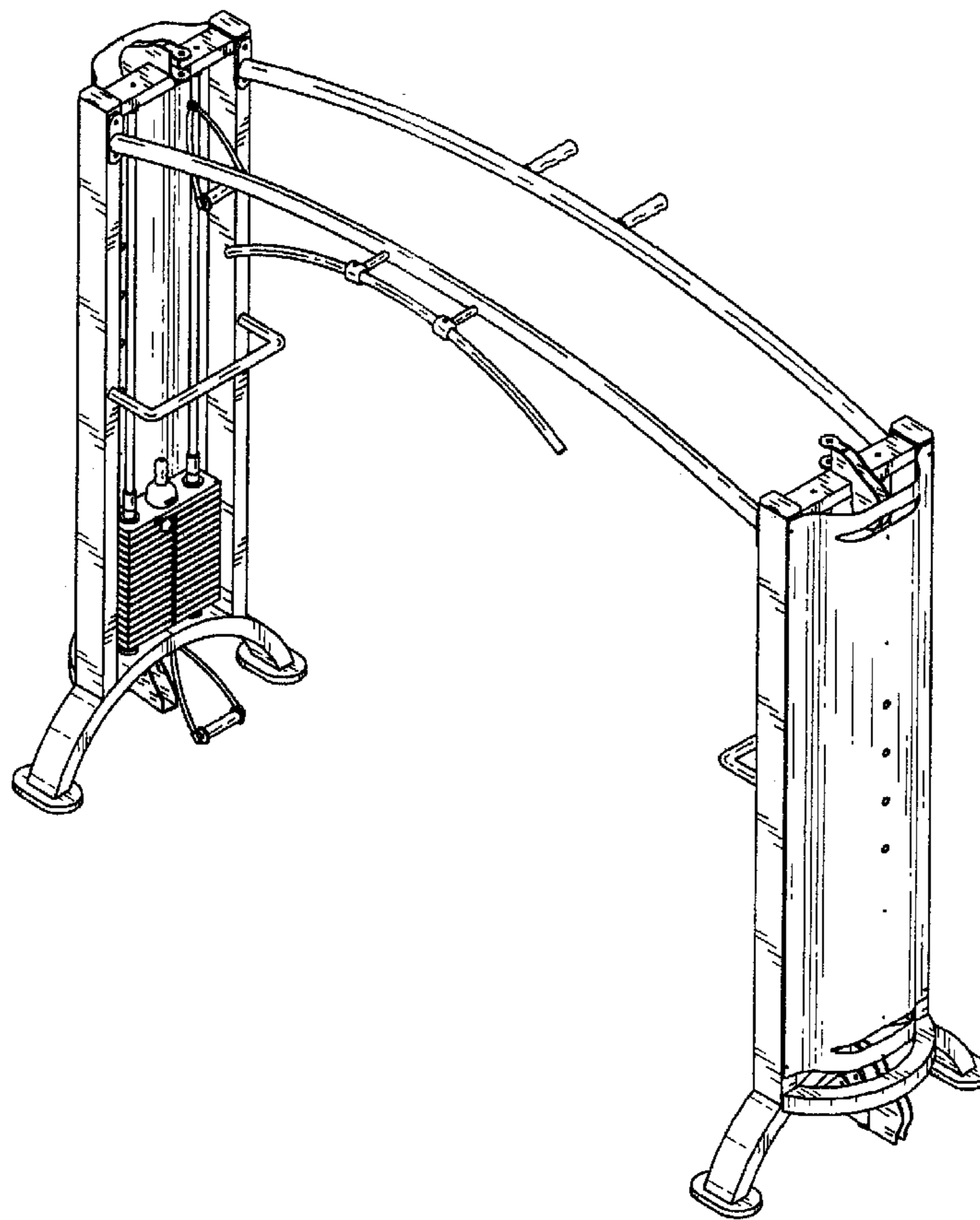
(57) **CLAIM**

I claim the ornamental design for a body-building machine, as shown and described.

**DESCRIPTION**

FIG. 1 is a front elevational view thereof.  
FIG. 2 is a right side elevational view thereof.  
FIG. 3 is a left side elevational view thereof.  
FIG. 4 is a top plan elevational view thereof.  
FIG. 5 is a bottom plan elevational view thereof.  
FIG. 6 is a rear elevational view thereof; and,  
FIG. 7 is a right perspective view of a body-building machine.

**1 Claim, 7 Drawing Sheets**



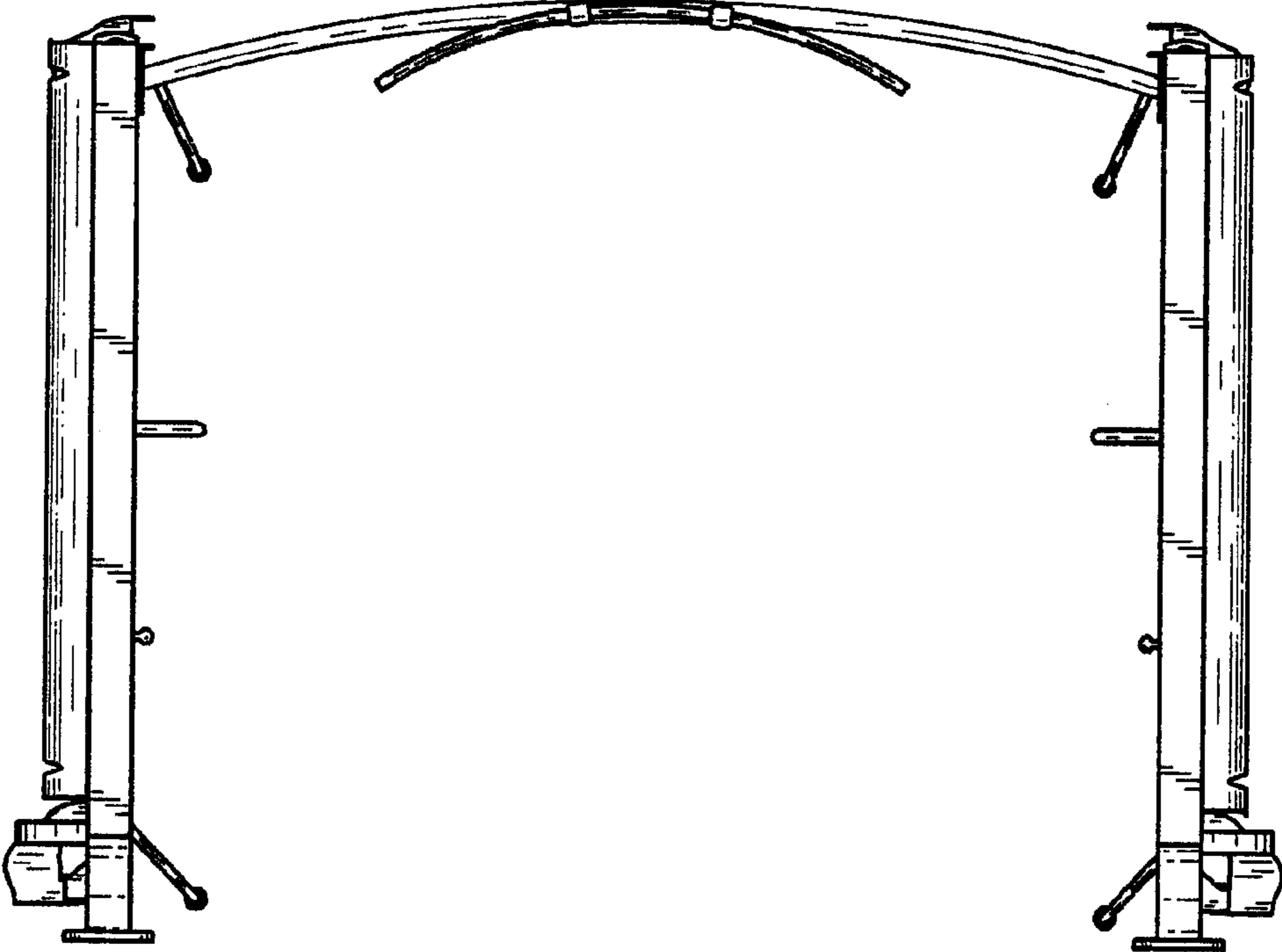


FIG. 1

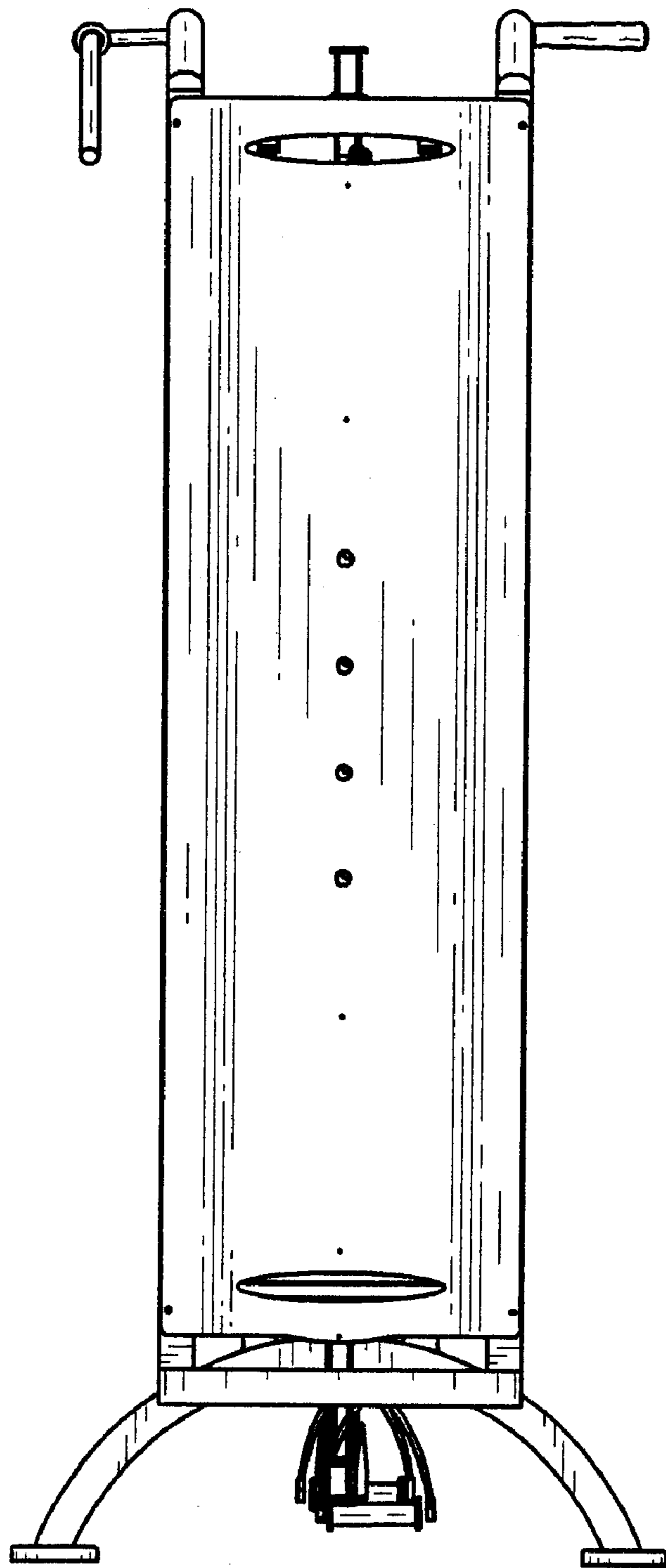


FIG. 2

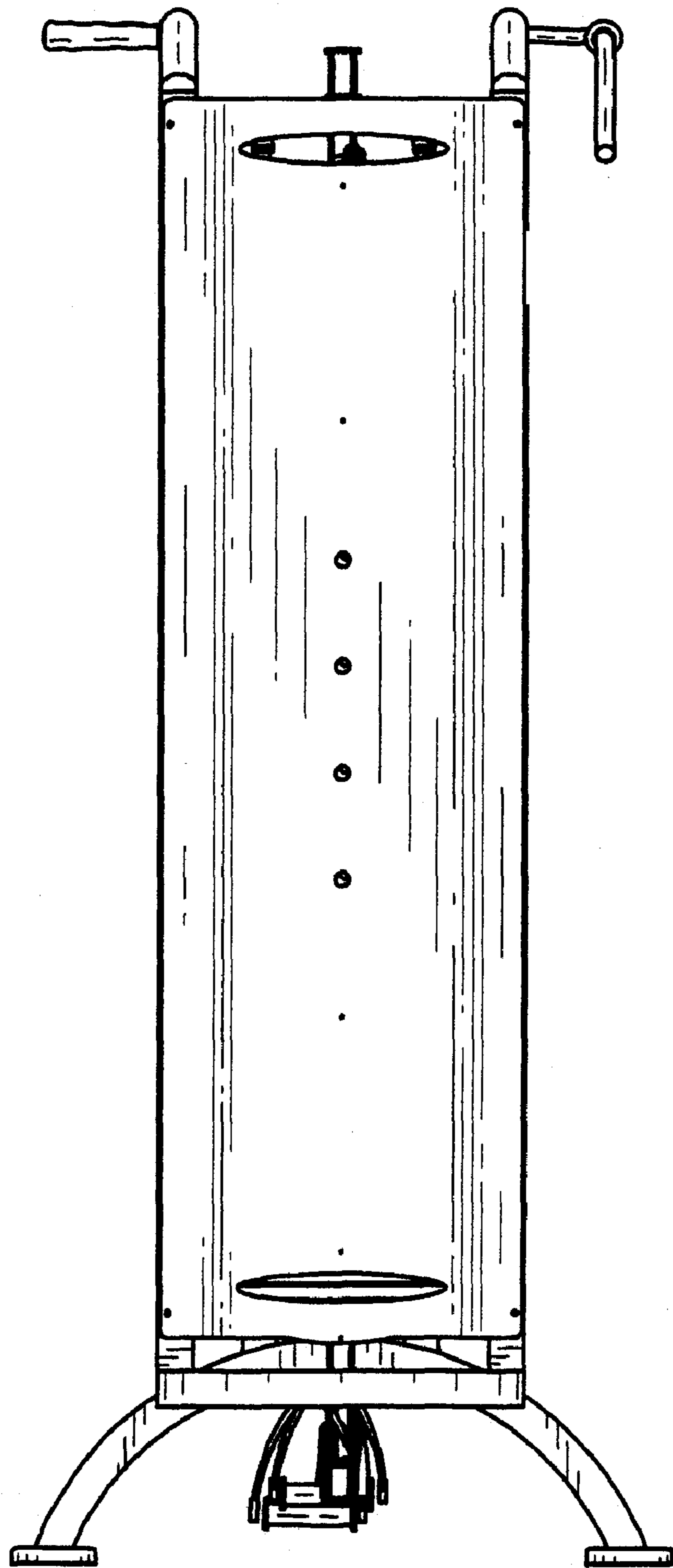


FIG. 3

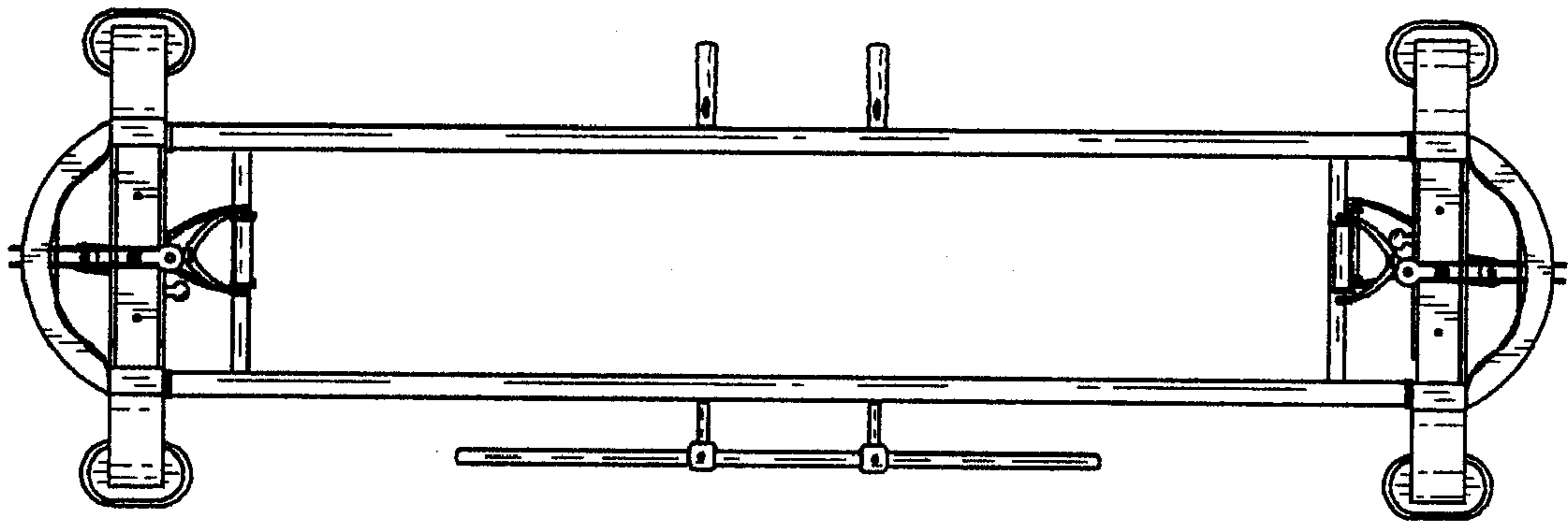


FIG. 4

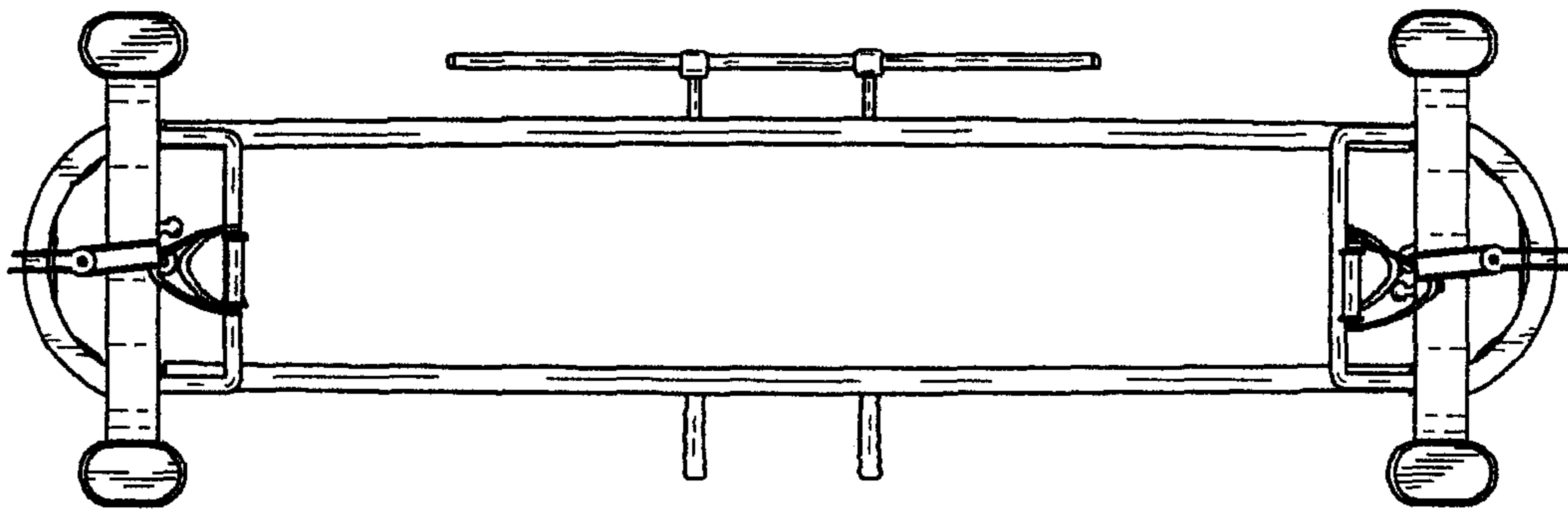


FIG. 5

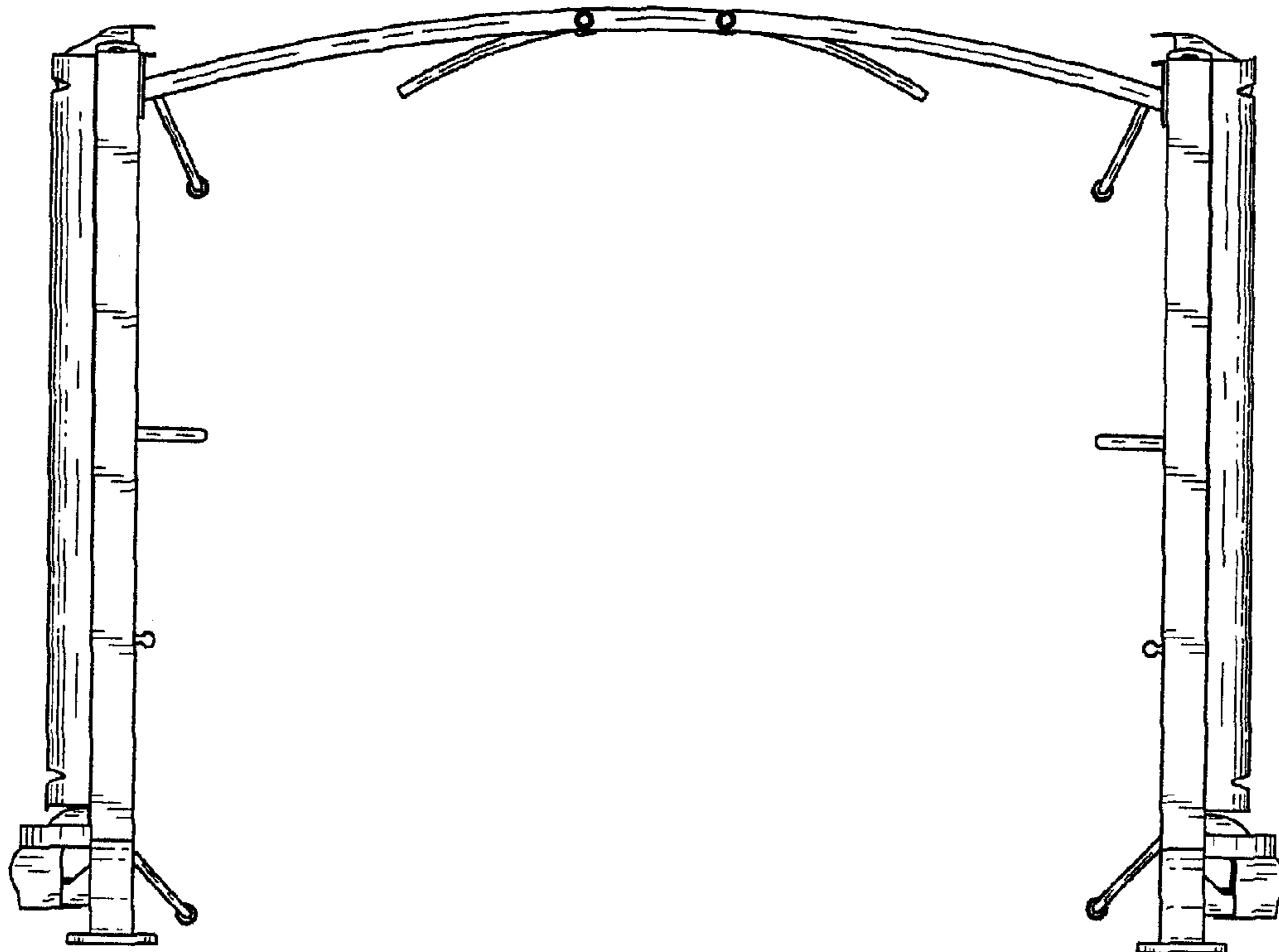


FIG. 6



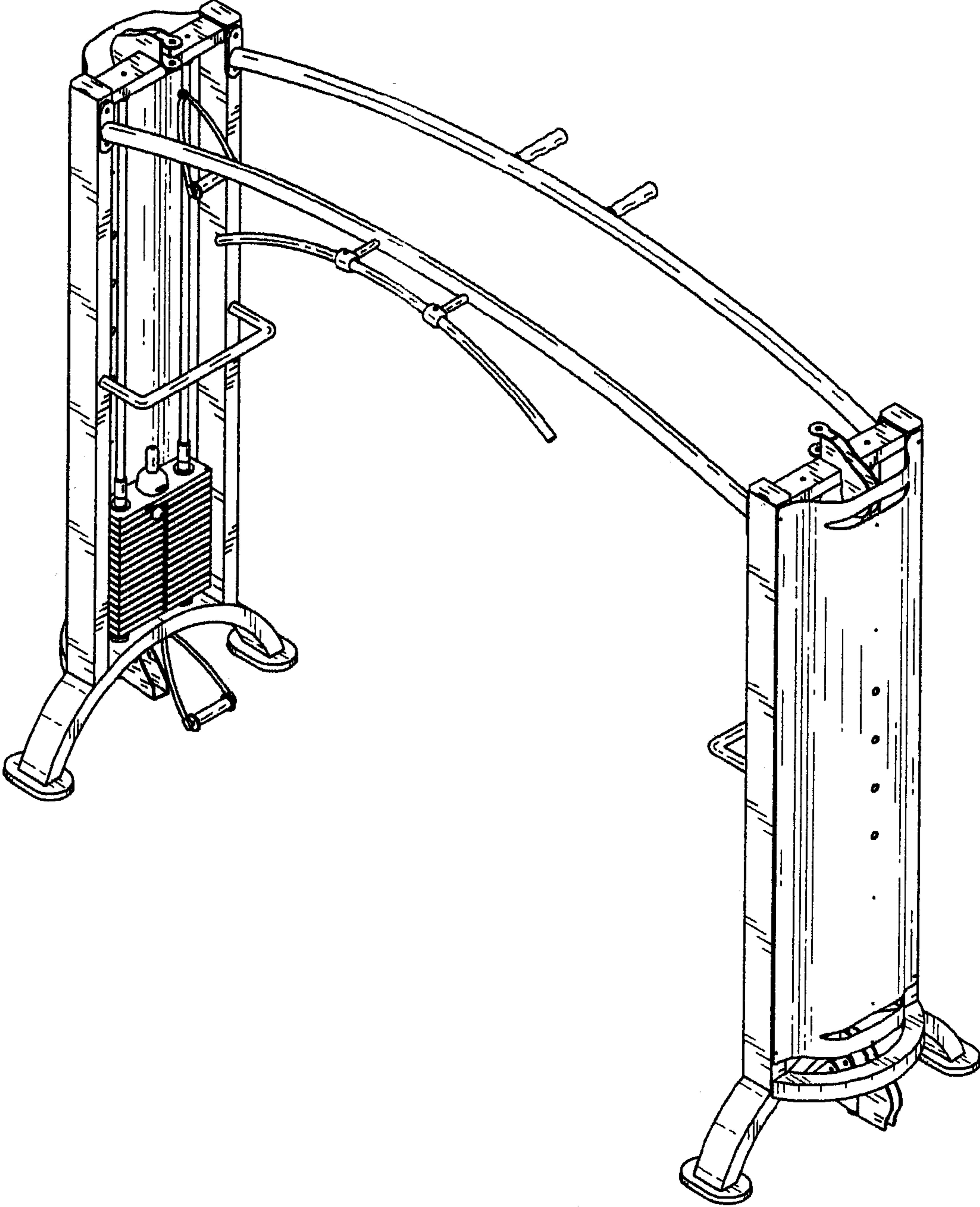


FIG. 7