



US00D511186S

(12) **United States Design Patent**
Neri et al.

(10) **Patent No.: US D511,186 S**

(45) **Date of Patent: ** Nov. 1, 2005**

(54) **GEARED DRIVE HUB**

(75) Inventors: **Joel Neri**, Youngstown, NY (US);
Oliver Duerr, Long Valley, NJ (US);
Jens Duerr, Pittstown, NJ (US)

(73) Assignee: **International Imaging Materials, Inc.**,
Amherst, NY (US)

(**) Term: **14 Years**

(21) Appl. No.: **29/151,171**

(22) Filed: **Oct. 31, 2001**

(51) **LOC (8) Cl.** **18-02**

(52) **U.S. Cl.** **D18/56**

(58) **Field of Search** D18/12, 40, 43,
D18/56; 400/207–208, 208.1, 223, 236,
236.2, 242, 246, 610, 613; 242/597.2, 597.6,
611.2

(56) **References Cited**

U.S. PATENT DOCUMENTS

4,651,943	A	*	3/1987	Kawaguchi	242/597.6
5,439,303	A	*	8/1995	Alday	400/242
5,846,008	A	*	12/1998	Park	400/634
D425,545	S	*	5/2000	Ishida	D18/12
6,109,801	A	*	8/2000	Mabit	400/242
6,145,769	A	*	11/2000	Shiraishi et al.	400/236
6,161,972	A	*	12/2000	Kameyama et al.	400/208
6,238,043	B1	*	5/2001	Silverbrook	347/86
6,238,044	B1	*	5/2001	Silverbrook et al.	347/86
6,422,693	B2	*	7/2002	Pawlowski et al.	347/86
6,422,770	B1	*	7/2002	de la Reguera	400/208

6,425,661	B1	*	7/2002	Silverbrook et al.	347/86
D473,262	S	*	4/2003	Christensen et al.	D18/56
6,595,710	B2	*	7/2003	Hayashi	400/208
D478,118	S	*	8/2003	Neri	D18/40
6,609,677	B2	*	8/2003	Seybold et al.	400/613
6,623,192	B1	*	9/2003	Kameyama	400/246
6,623,193	B1	*	9/2003	Holland	400/242
2001/0042810	A1	*	11/2001	Christensen et al.	242/597.2

* cited by examiner

Primary Examiner—Cathy Anne MacCormac

(74) *Attorney, Agent, or Firm*—Howard J. Greenwald;
Peter J. Mikesell

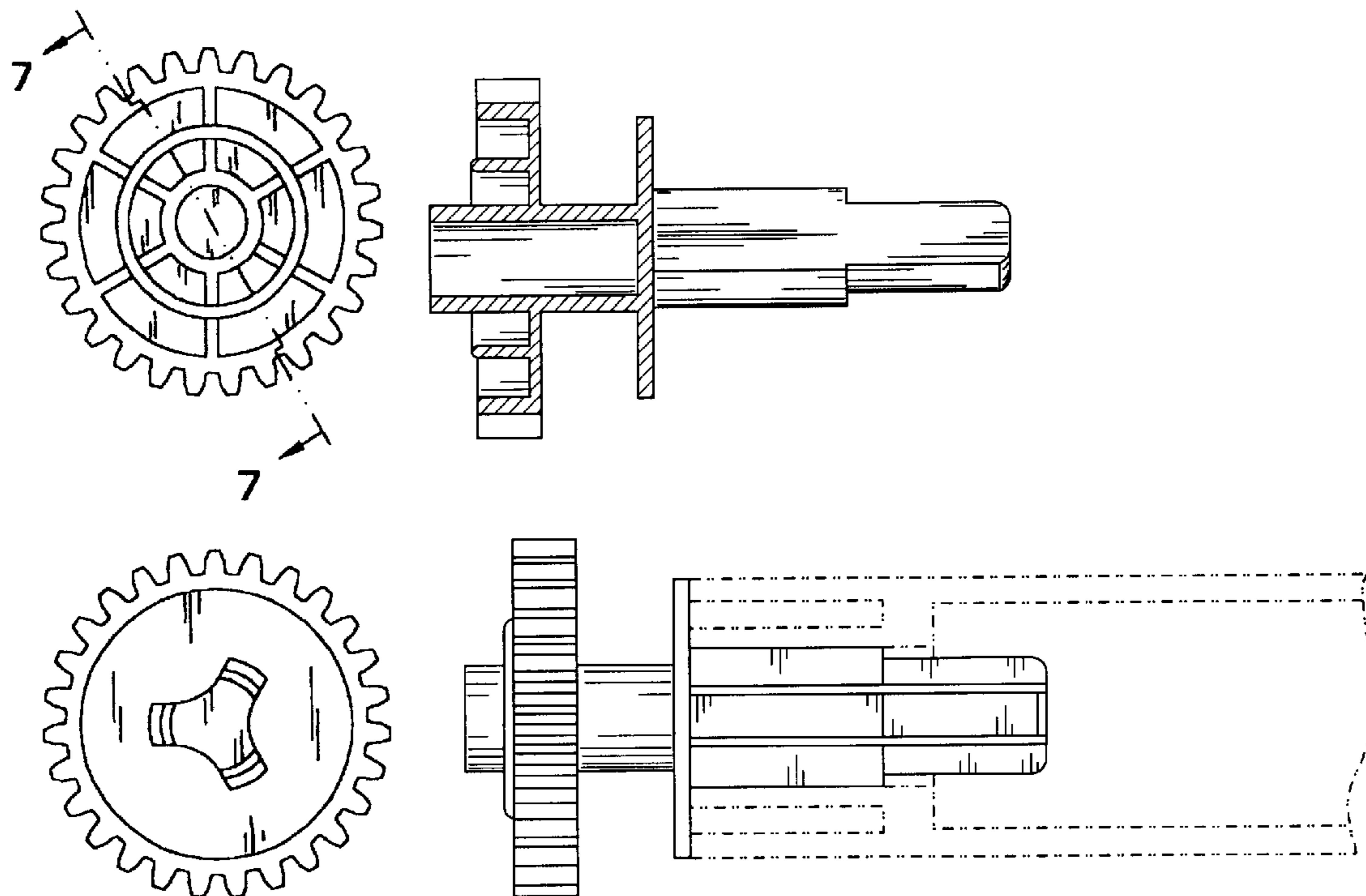
(57) **CLAIM**

The ornamental design for a “geared drive hub,” as shown and described.

DESCRIPTION

FIG. 1 is a front elevational view of a geared drive hub showing my new design;
 FIG. 2 is a left side elevational view thereof;
 FIG. 3 is a right elevational view thereof;
 FIG. 4 is a rear elevational view thereof;
 FIG. 5 is a top plan view thereof;
 FIG. 6 is a bottom plan view thereof;
 FIG. 7 is a partial cross section view thereof taken along Line 7—7 of FIG. 2; and,
 FIG. 8 is a front elevational view showing the geared drive hub engaged in an environmental mating core. The broken lines depicting the mating core are for illustrative purposes only and form no part of the claimed design.

1 Claim, 2 Drawing Sheets



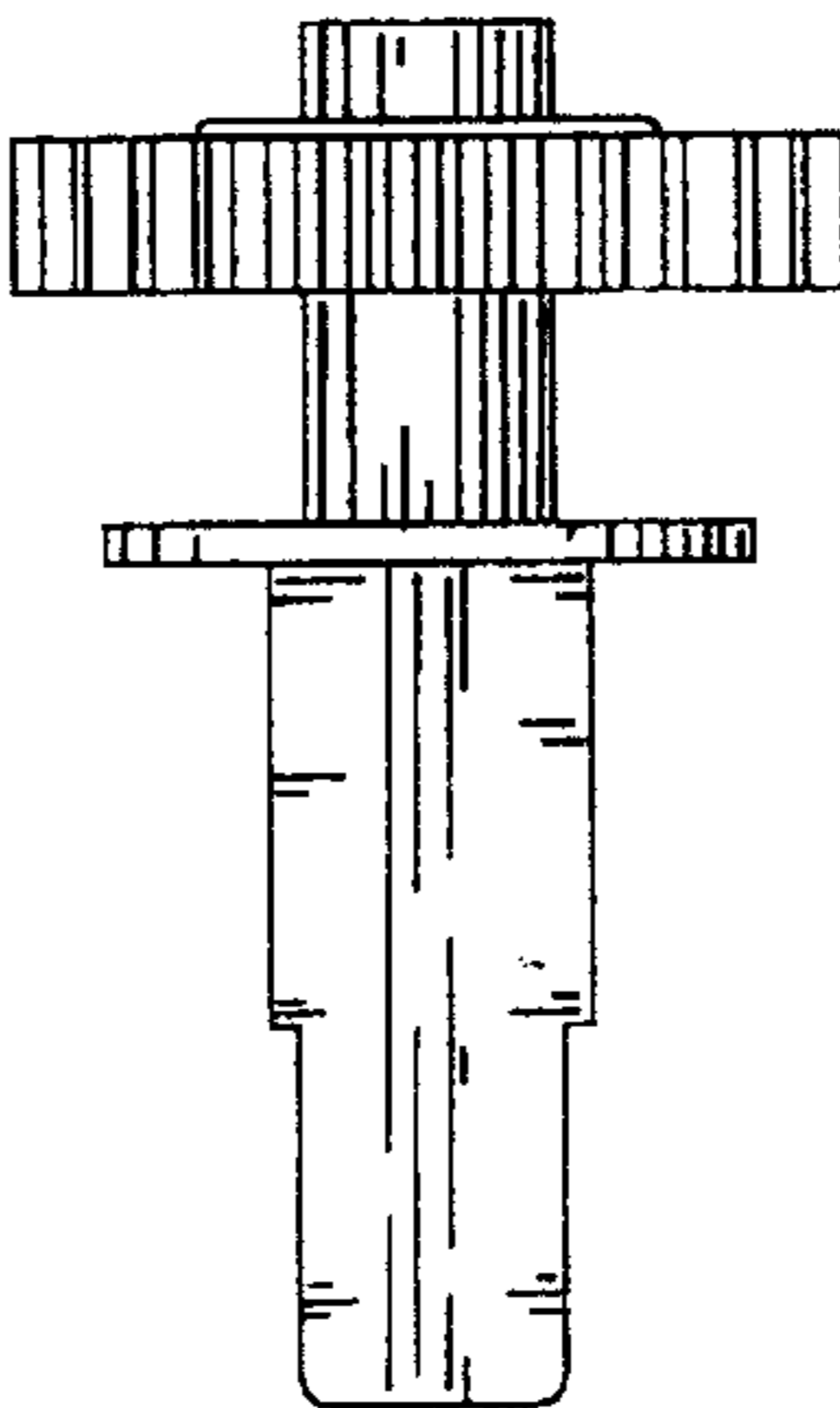


FIG. 4

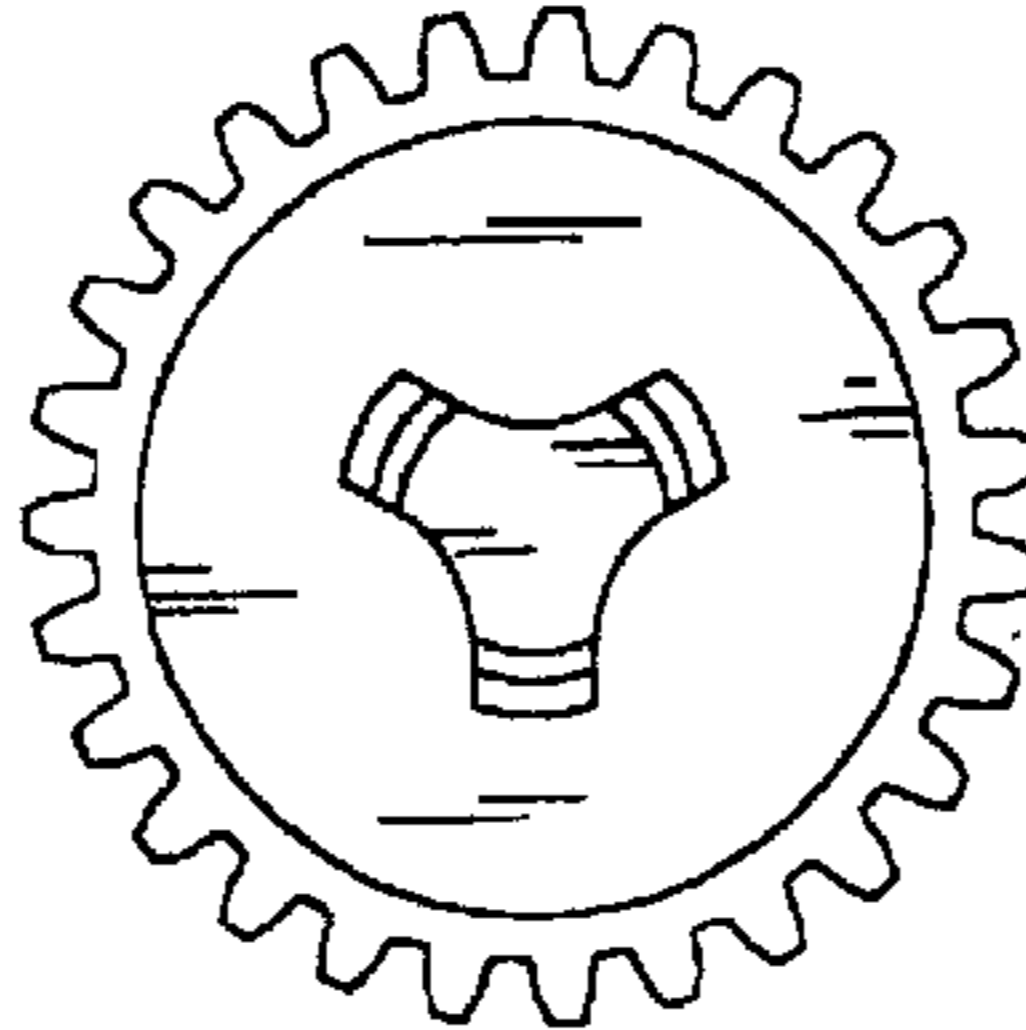


FIG. 3

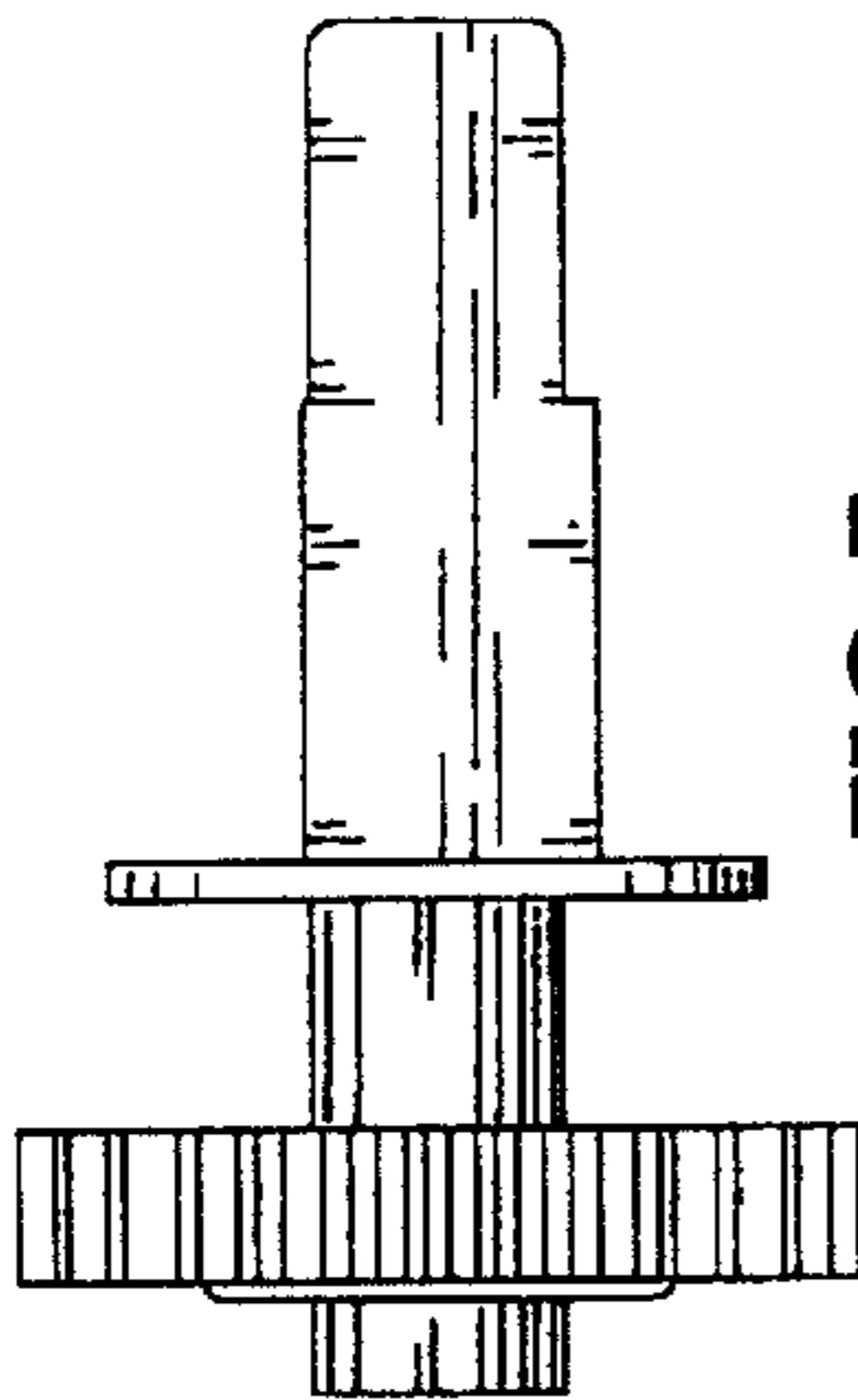


FIG. 5

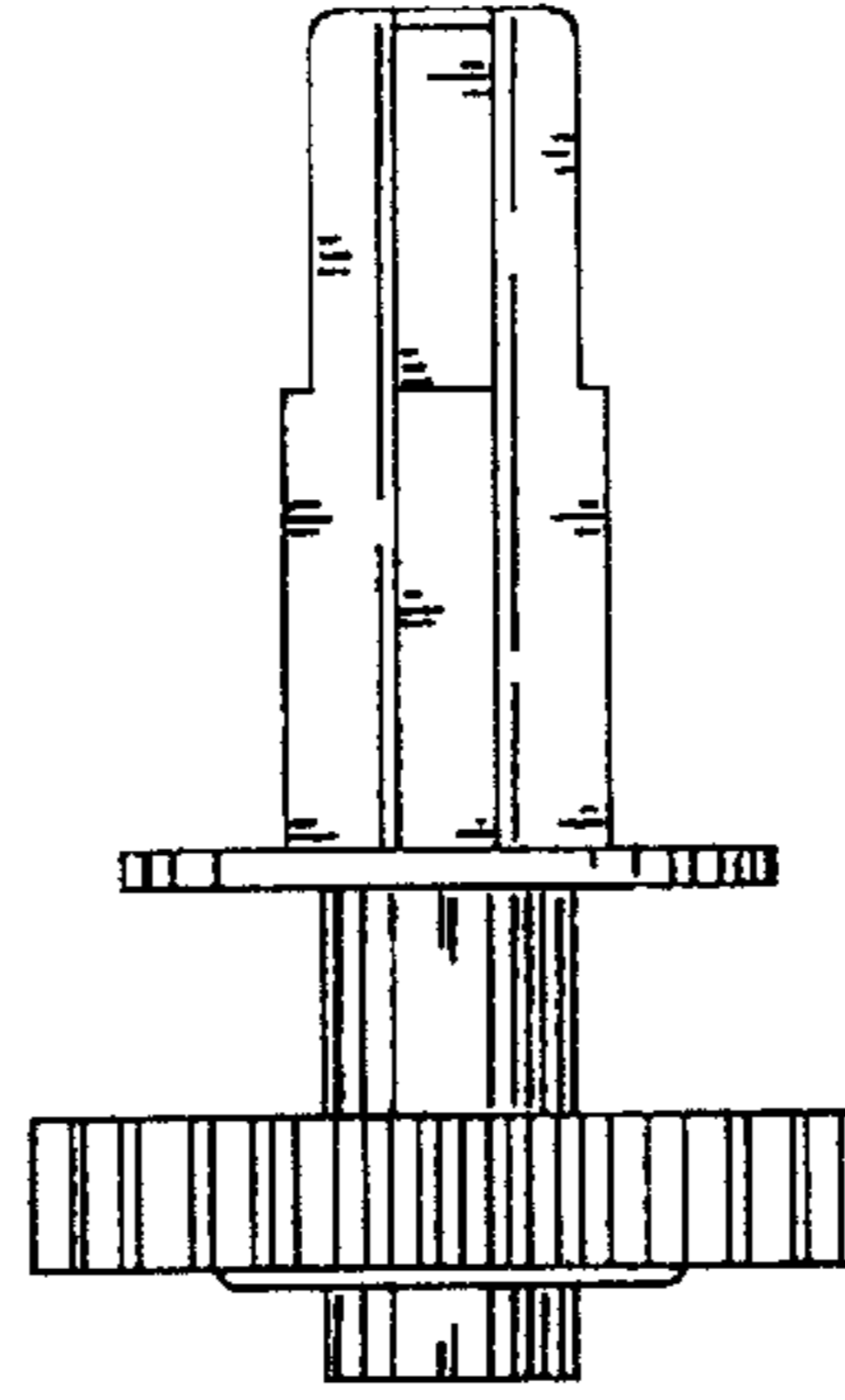


FIG. 1

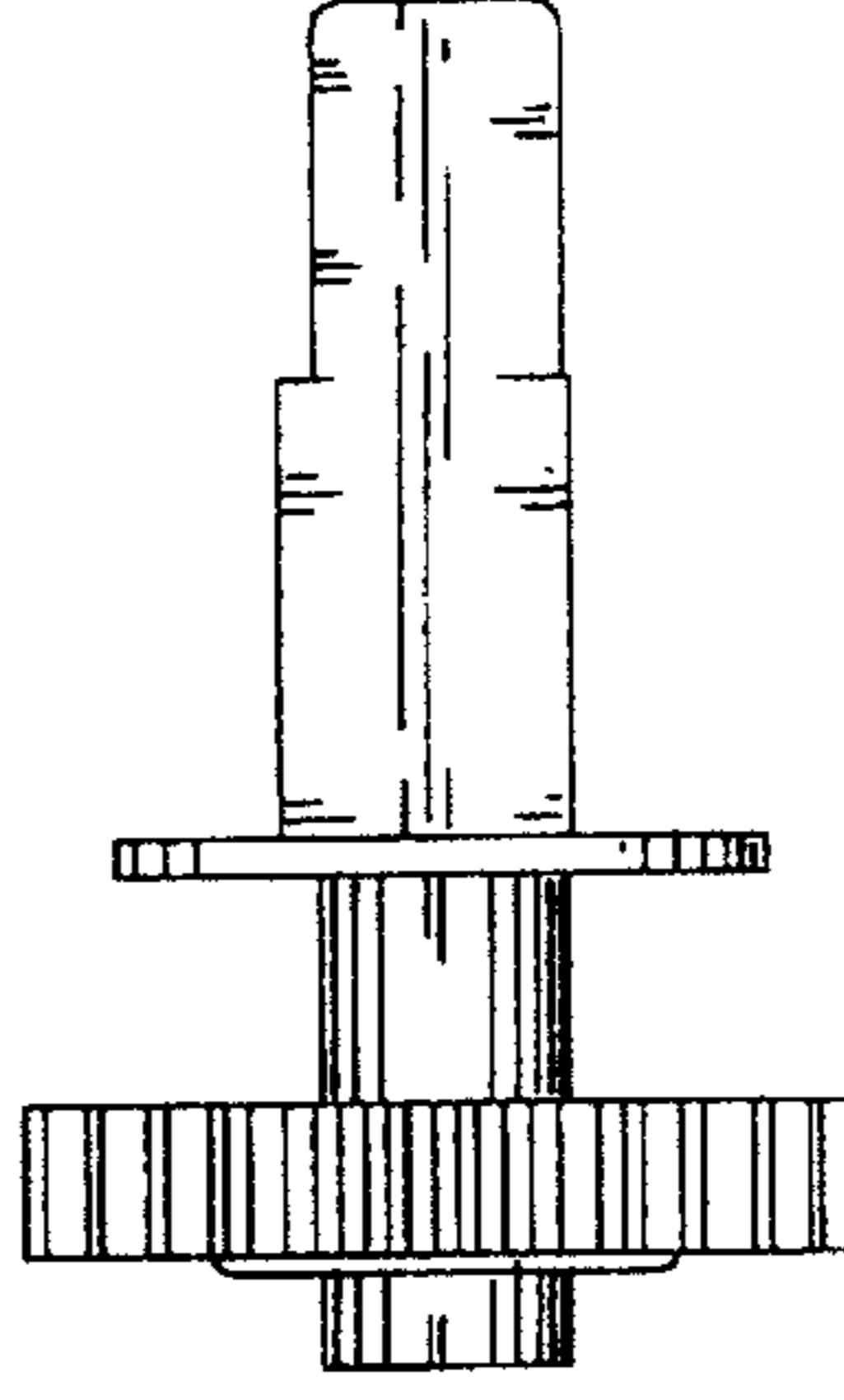


FIG. 6

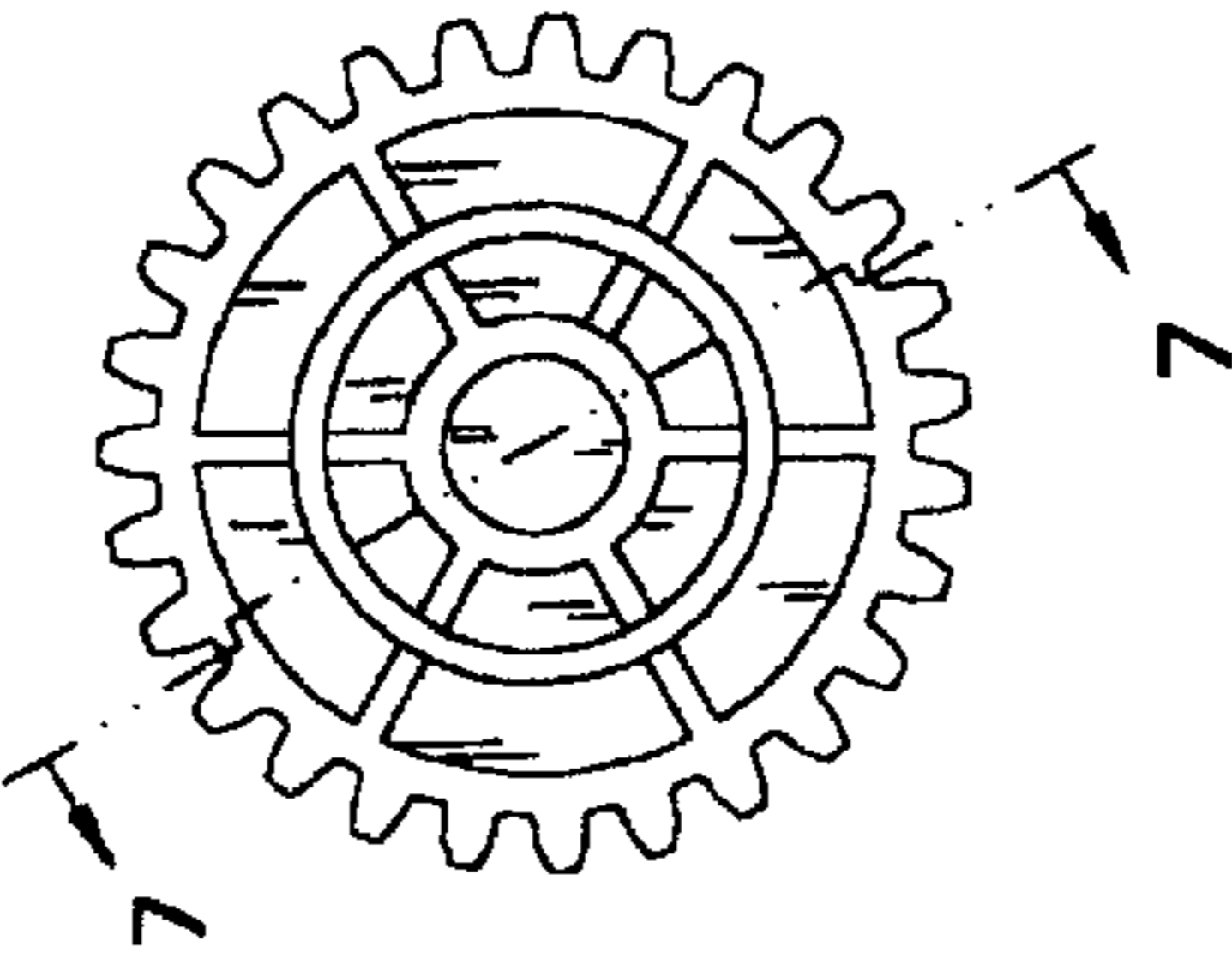


FIG. 2

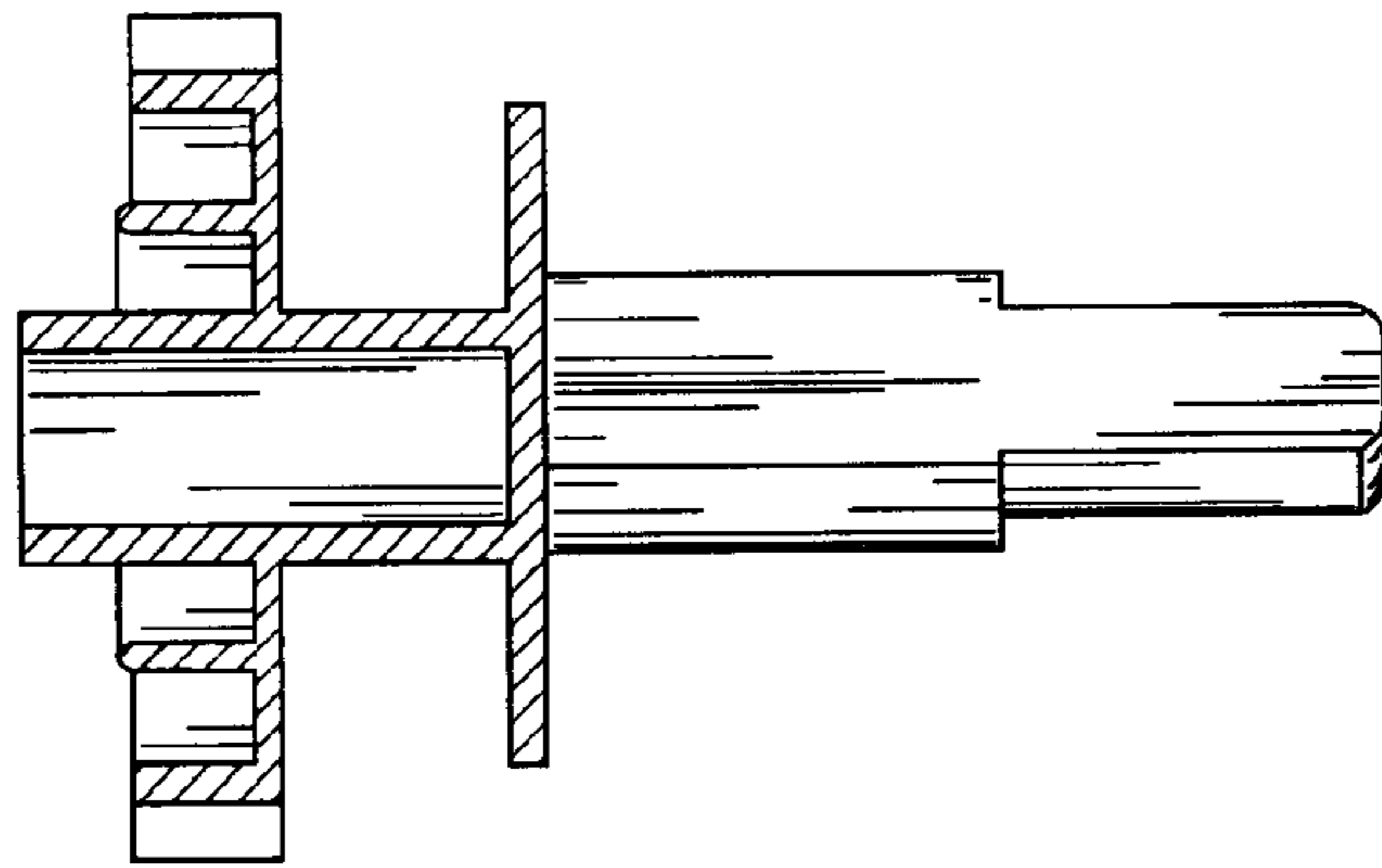


FIG. 7

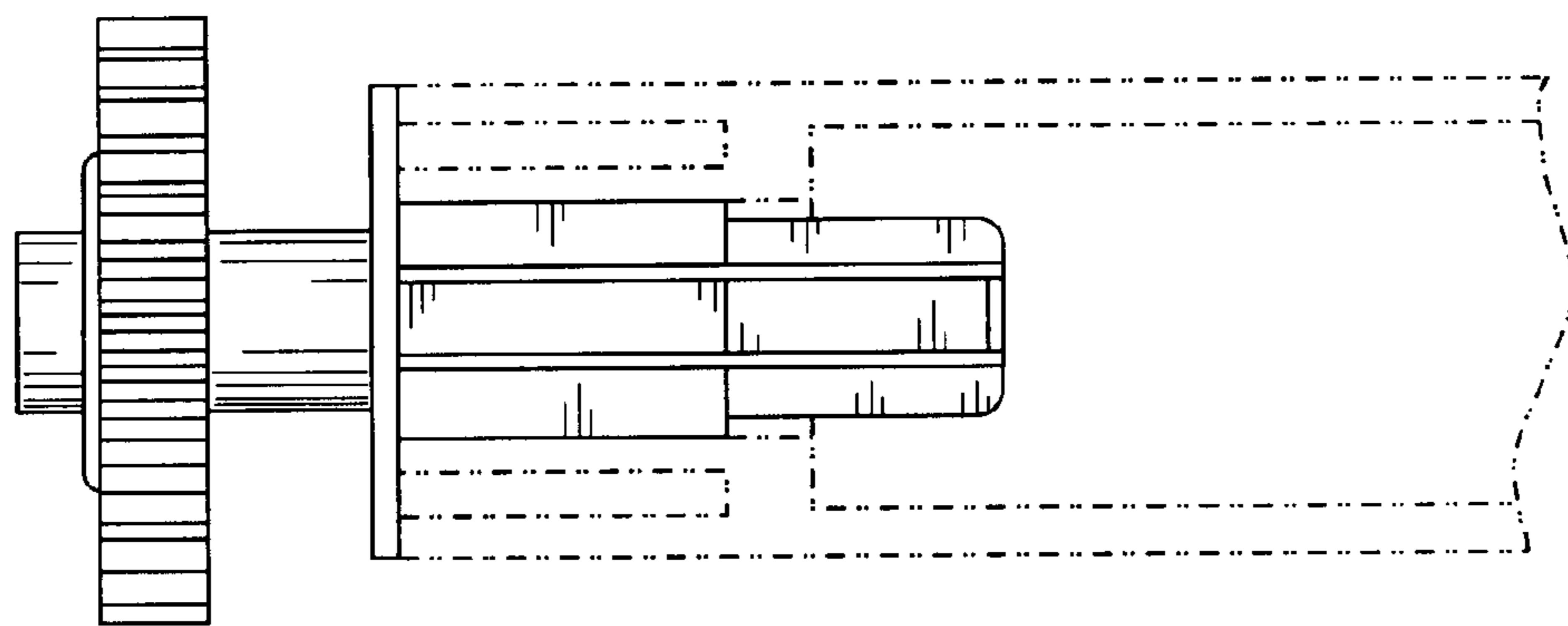


FIG. 8