



US00D511185S

(12) **United States Design Patent**
Rieck

(10) **Patent No.:** **US D511,185 S**

(45) **Date of Patent:** **** Nov. 1, 2005**

(54) **DOOR HANDLE INDICATOR FOR AN
IMAGE PRODUCING MACHINE**

(75) **Inventor:** **Kenneth J. Rieck, Victor, NY (US)**

(73) **Assignee:** **Xerox Corporation, Stamford, CT
(US)**

(**) **Term:** **14 Years**

(21) **Appl. No.:** **29/198,365**

(22) **Filed:** **Jan. 28, 2004**

(51) **LOC (8) Cl.** **16-03**

(52) **U.S. Cl.** **D18/39; D18/40**

(58) **Field of Search** **D18/36-41, 46-50,
D18/53; D14/462, 463; 355/97; 399/1,
3, 75, 81, 82, 107, 110, 151, 361-365,
377, 379, 380, 390, 391, 393, 405, 411**

(56) **References Cited**

U.S. PATENT DOCUMENTS

- D250,030 S * 10/1978 Mikami D18/37
- D268,345 S * 3/1983 Robertson D18/38
- D276,051 S * 10/1984 Kosako et al. D18/36

- D316,564 S * 4/1991 Kosako et al. D18/39
- D318,479 S * 7/1991 Nishiseko et al. D18/39
- D331,772 S * 12/1992 Suzuki et al. D18/38
- D363,304 S * 10/1995 Kondo et al. D18/39
- D377,944 S * 2/1997 Seki et al. D18/39

* cited by examiner

Primary Examiner—Caron D. Veynar

(74) *Attorney, Agent, or Firm*—Tallam I. Nguti

(57) **CLAIM**

The ornamental design for a door handle indicator for an image producing machine, as shown and described.

DESCRIPTION

FIG. 1 is a perspective view of a door handle indicator for an image producing machine showing the design of the present invention;

FIG. 2 is a front view thereof;

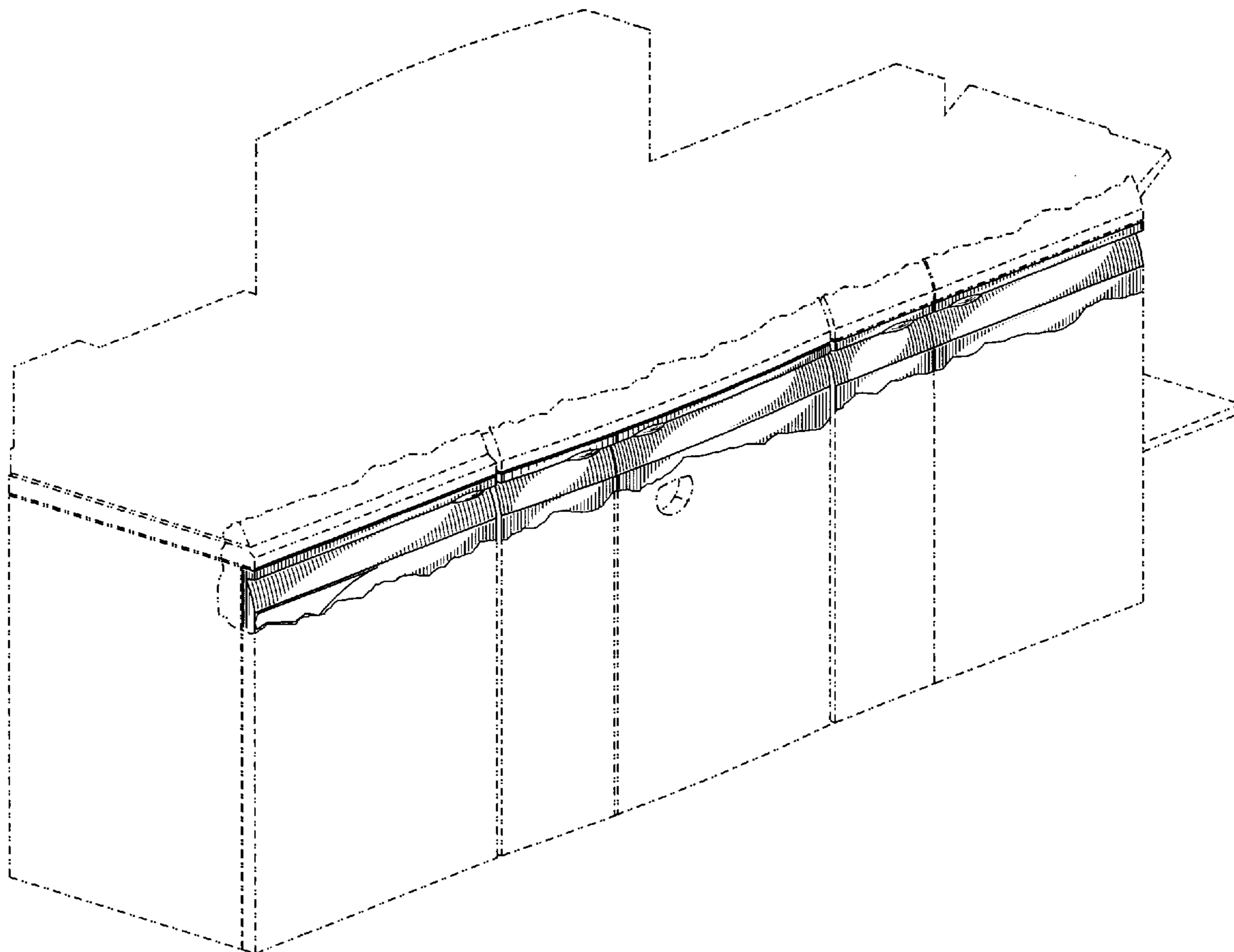
FIG. 3 is a left side view thereof;

FIG. 4 is a right side view thereof; and,

FIG. 5 is a top plan view thereof.

The broken lines shown are for illustrative purposes only and do not form part of the claimed design.

1 Claim, 5 Drawing Sheets



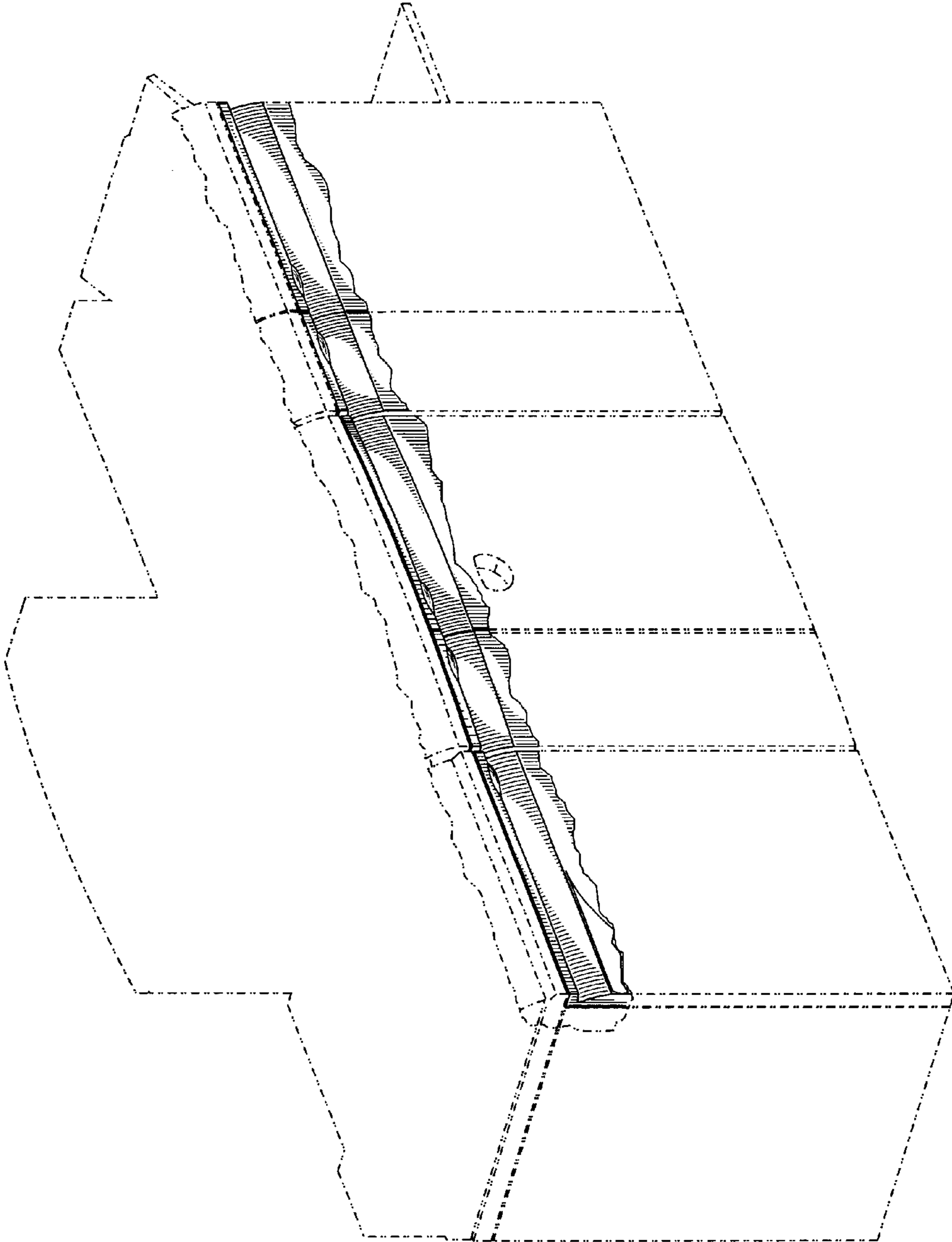


FIG. 1

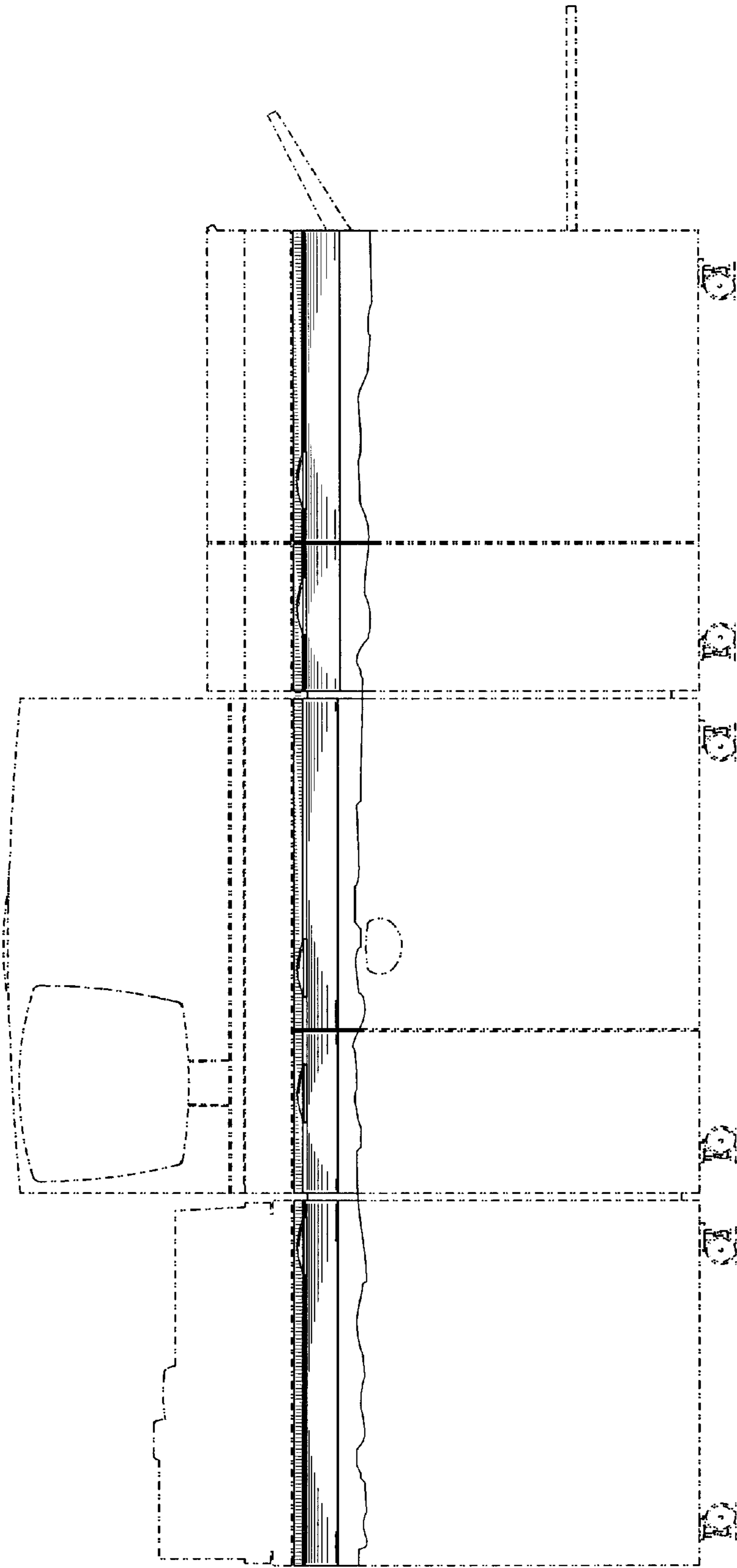


FIG. 2

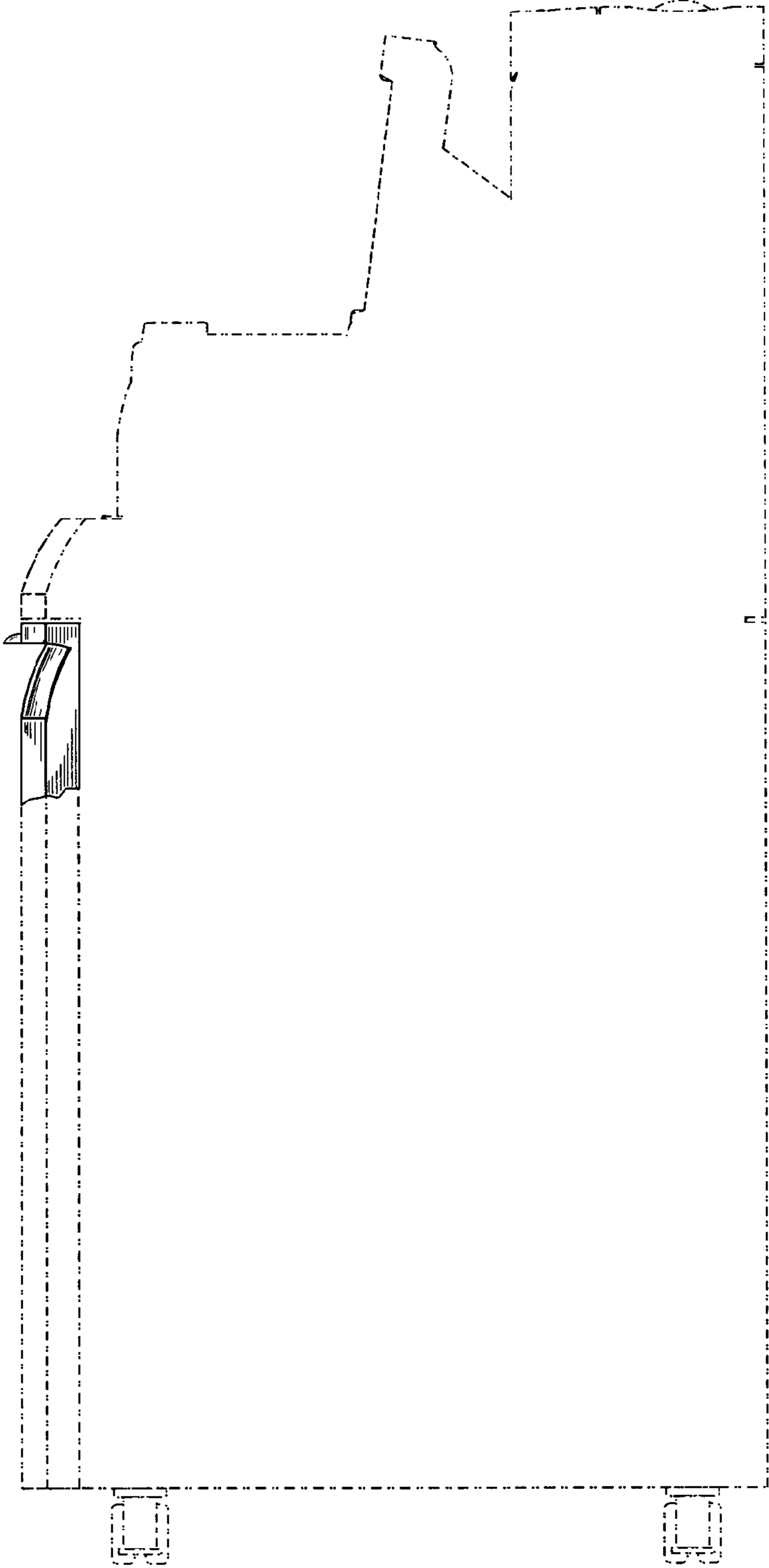


FIG. 3

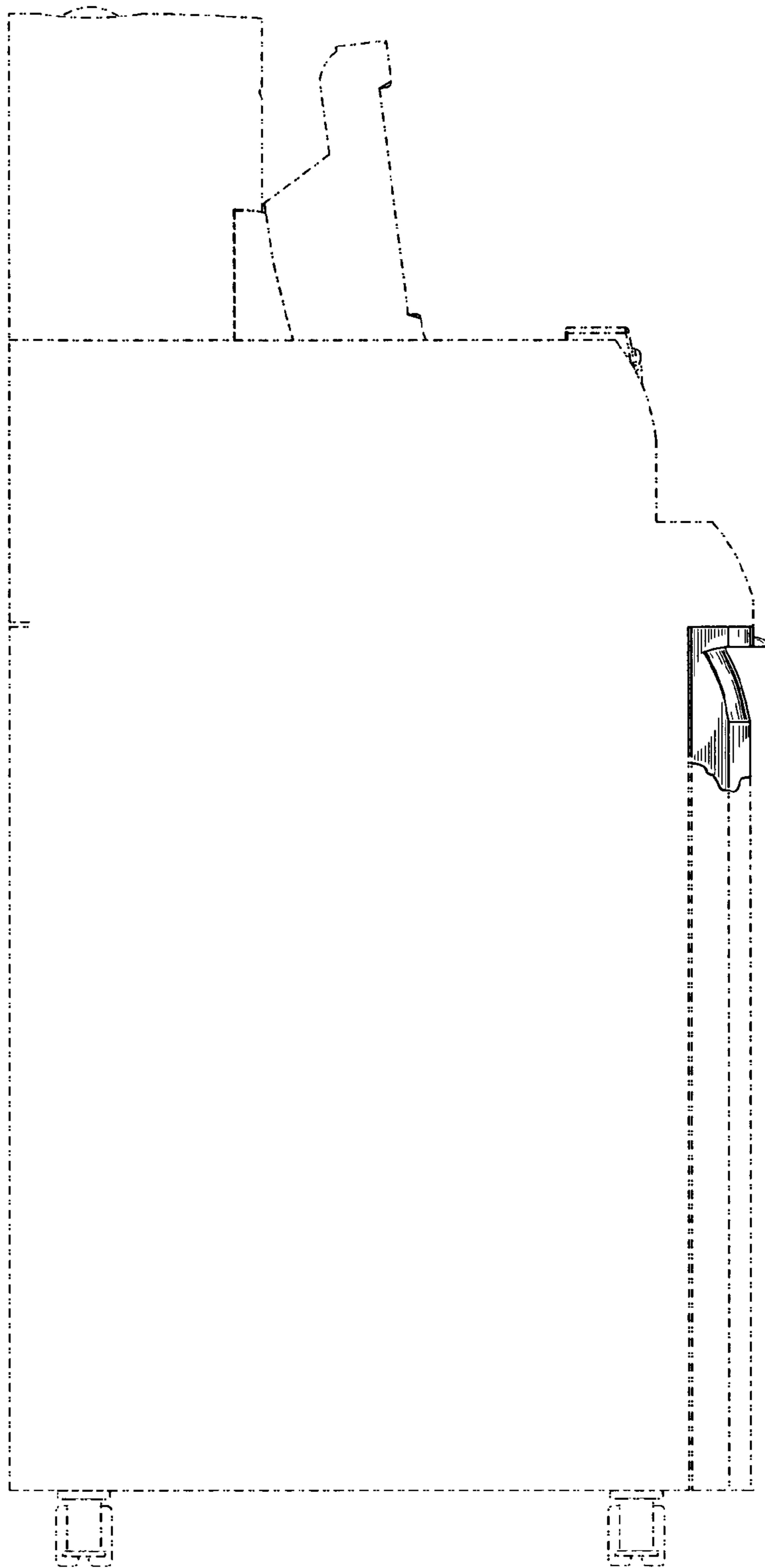


FIG. 4

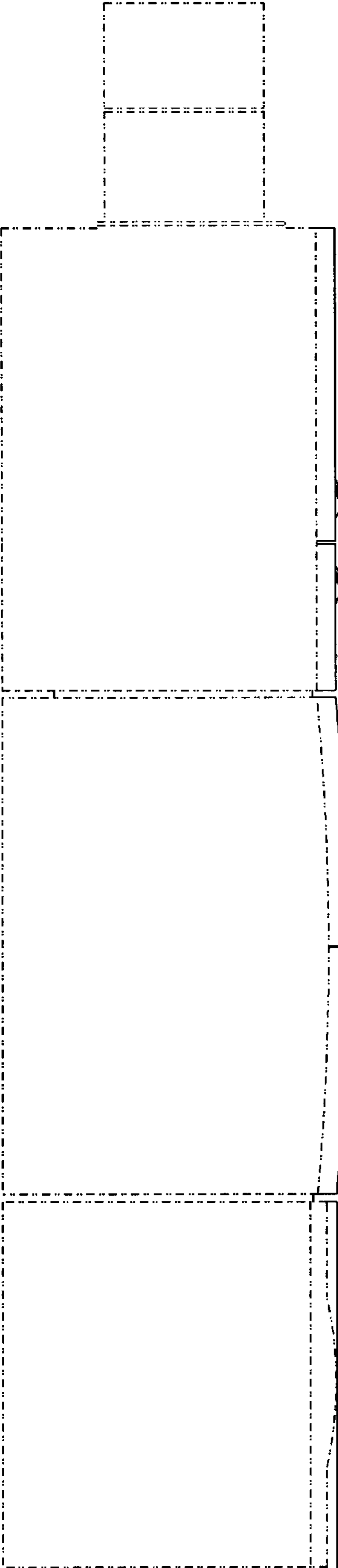


FIG. 5