



US00D511182S

(12) **United States Design Patent**
Kato

(10) **Patent No.:** **US D511,182 S**
(45) **Date of Patent:** **** Nov. 1, 2005**

(54) **CAMERA MODULE**

(75) **Inventor:** **Kenji Kato**, Yamagata (JP)

(73) **Assignee:** **Mitsumi Electric Co., Ltd.**, Tokyo (JP)

(**) **Term:** **14 Years**

(21) **Appl. No.:** **29/209,560**

(22) **Filed:** **Jul. 19, 2004**

(30) **Foreign Application Priority Data**

Jan. 30, 2004 (JP) 2004-002380

(51) **LOC (8) Cl.** **16-01**

(52) **U.S. Cl.** **D16/218; D16/200**

(58) **Field of Search** **D16/200–204,**
D16/208, 218, 219; 348/373–376; 358/909.1;
396/535–541

(56) **References Cited**

U.S. PATENT DOCUMENTS

D200,126 S * 1/1965 Drucker D16/200

D474,221 S * 5/2003 Cheng D16/218
D489,388 S * 5/2004 Saito et al. D16/218
D496,062 S * 9/2004 Yamakami et al. D16/218
D496,382 S * 9/2004 Yamakami et al. D16/218
2004/0130656 A1 * 7/2004 Why et al. 348/375

* cited by examiner

Primary Examiner—Adir Aronovich

(74) *Attorney, Agent, or Firm*—Sughrue Mion, PLLC

(57) **CLAIM**

The ornamental design for a camera module, as shown.

DESCRIPTION

FIG. 1 is a perspective view of the top, front and right side of a camera module showing my new design; FIG. 2 is top plan view thereof; FIG. 3 is a front elevational view thereof; FIG. 4 is a right side elevational view thereof; FIG. 5 is a left side elevational view thereof; FIG. 6 is a rear elevational view thereof; and, FIG. 7 a bottom plan view thereof.

1 Claim, 4 Drawing Sheets

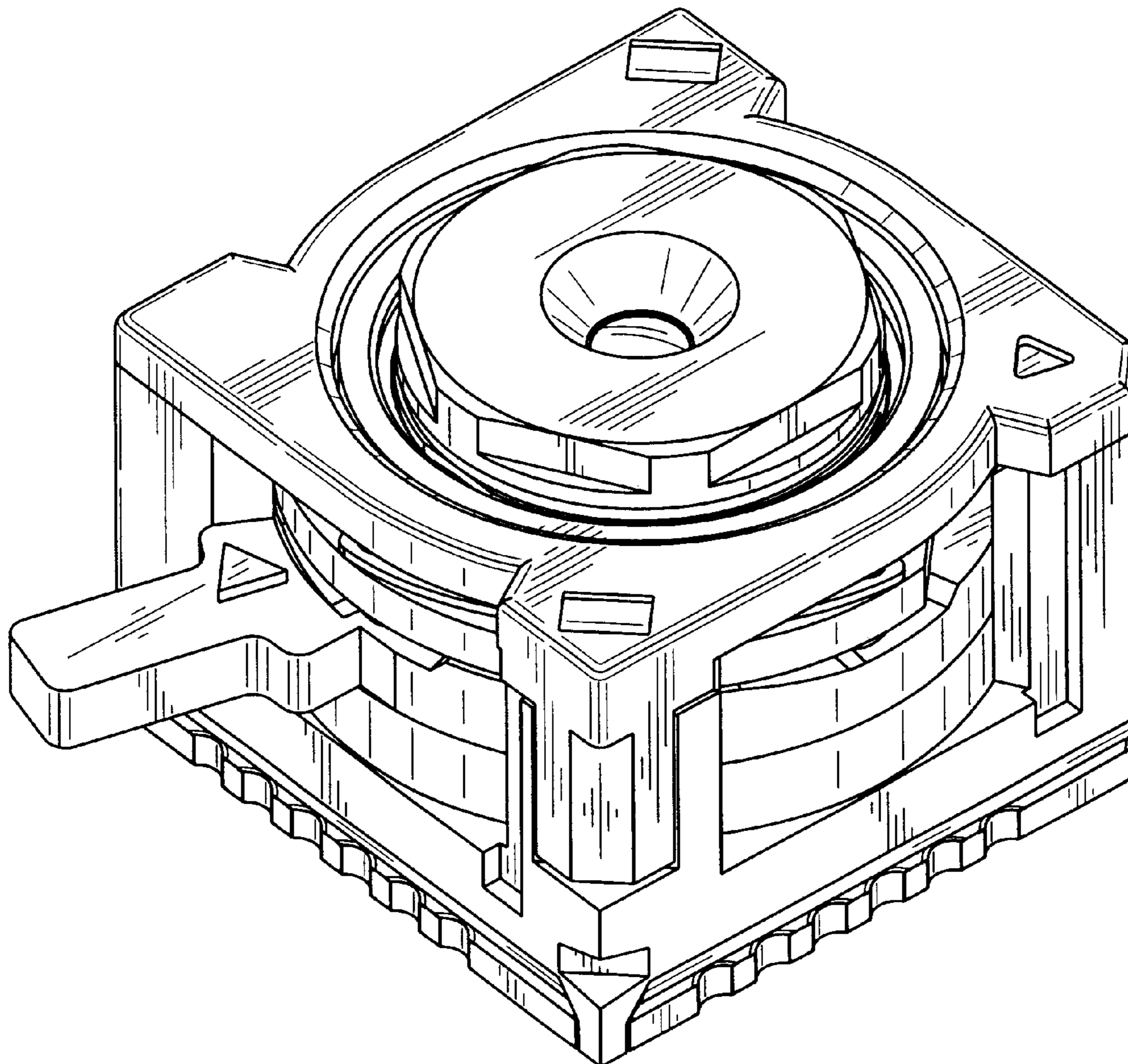


FIG. 1

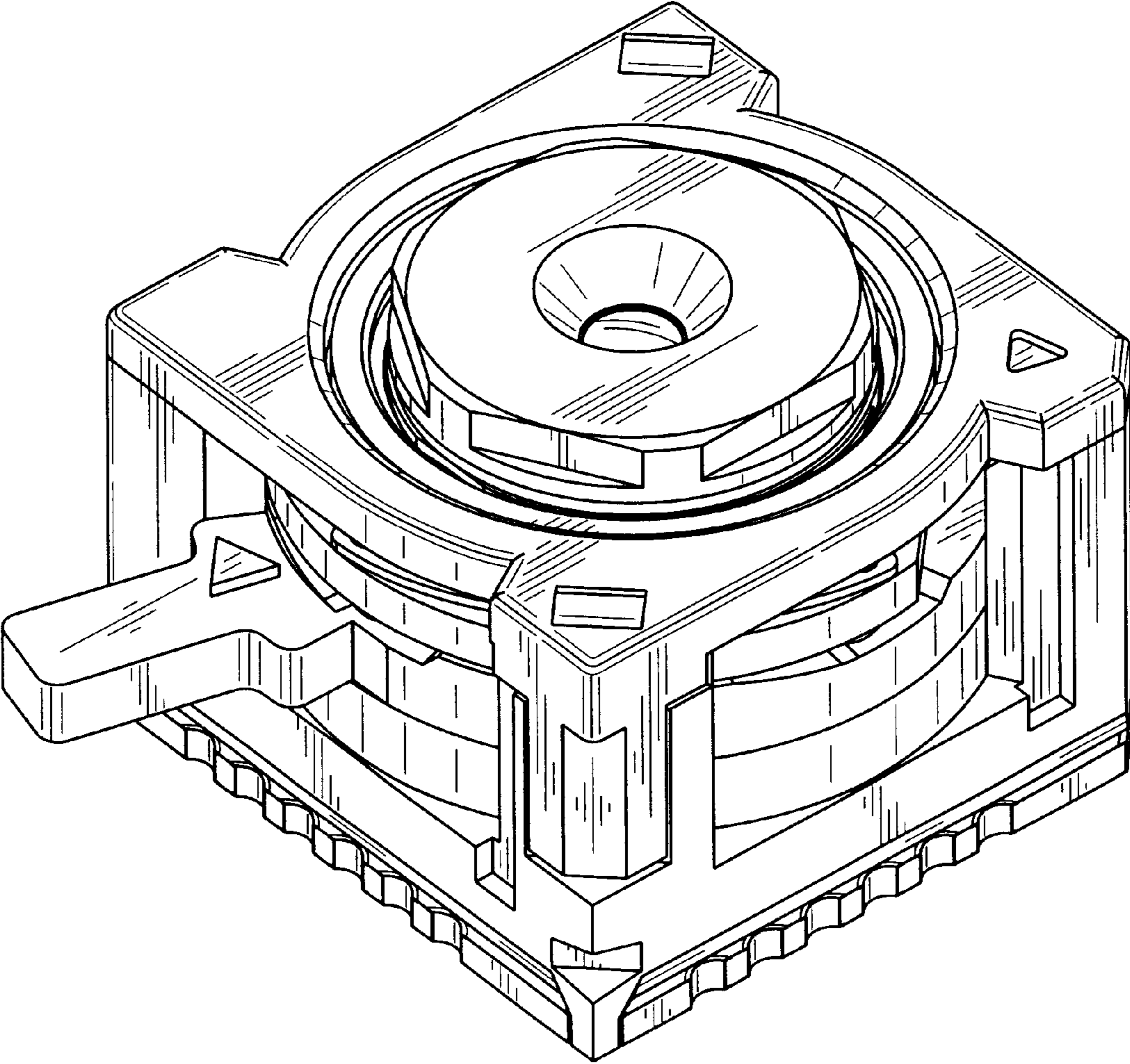


FIG. 2

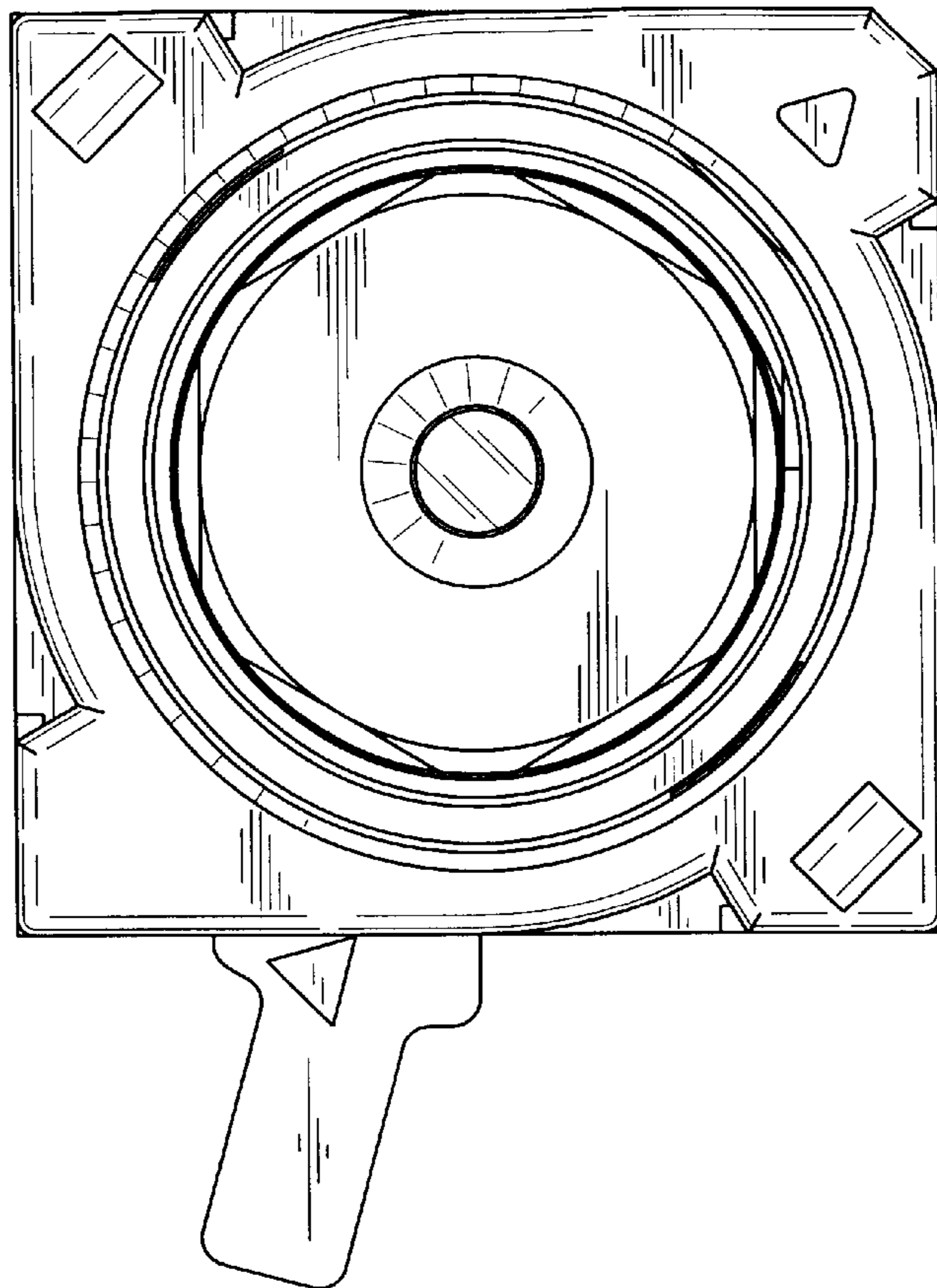


FIG. 3

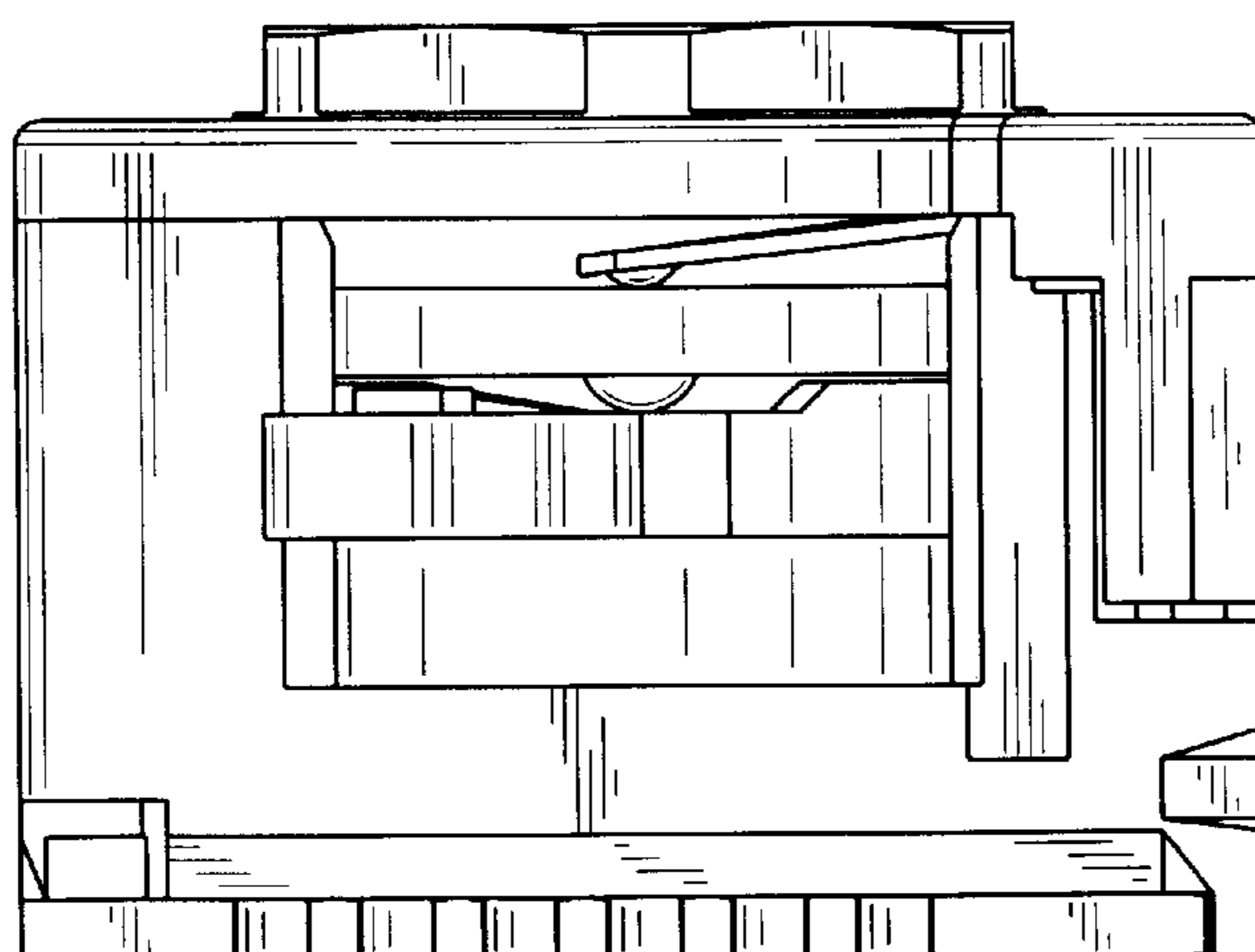


FIG. 4

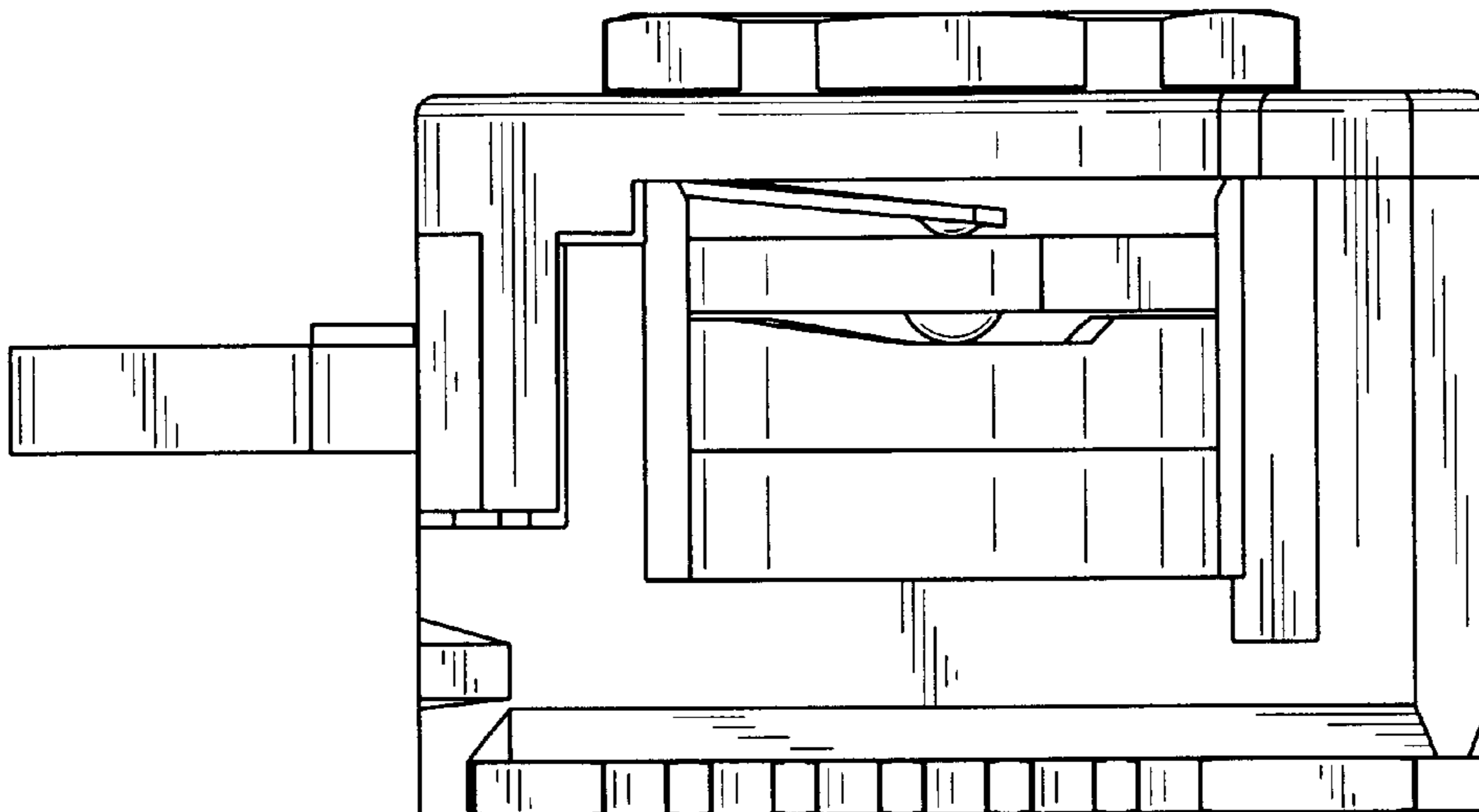


FIG. 5

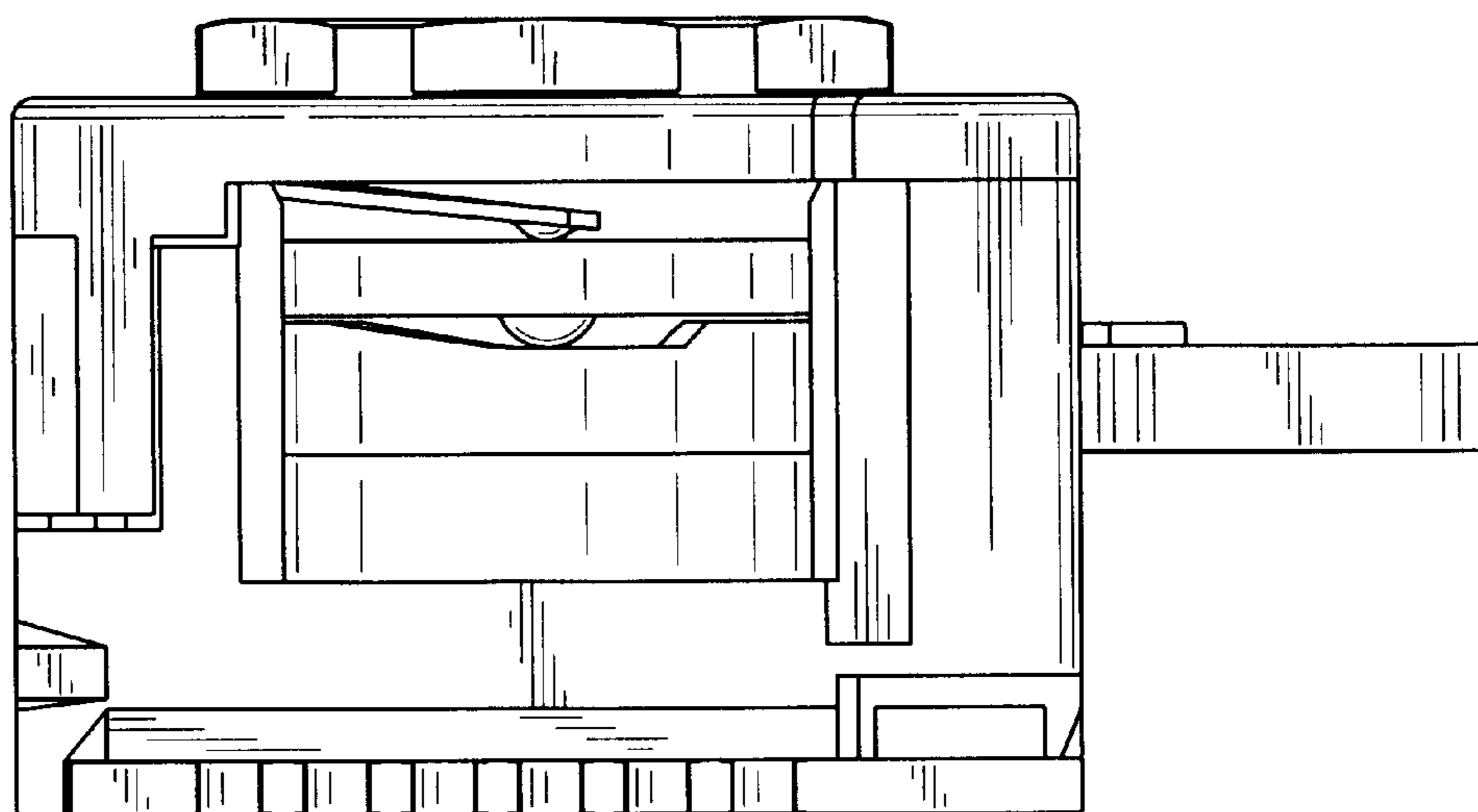


FIG. 6

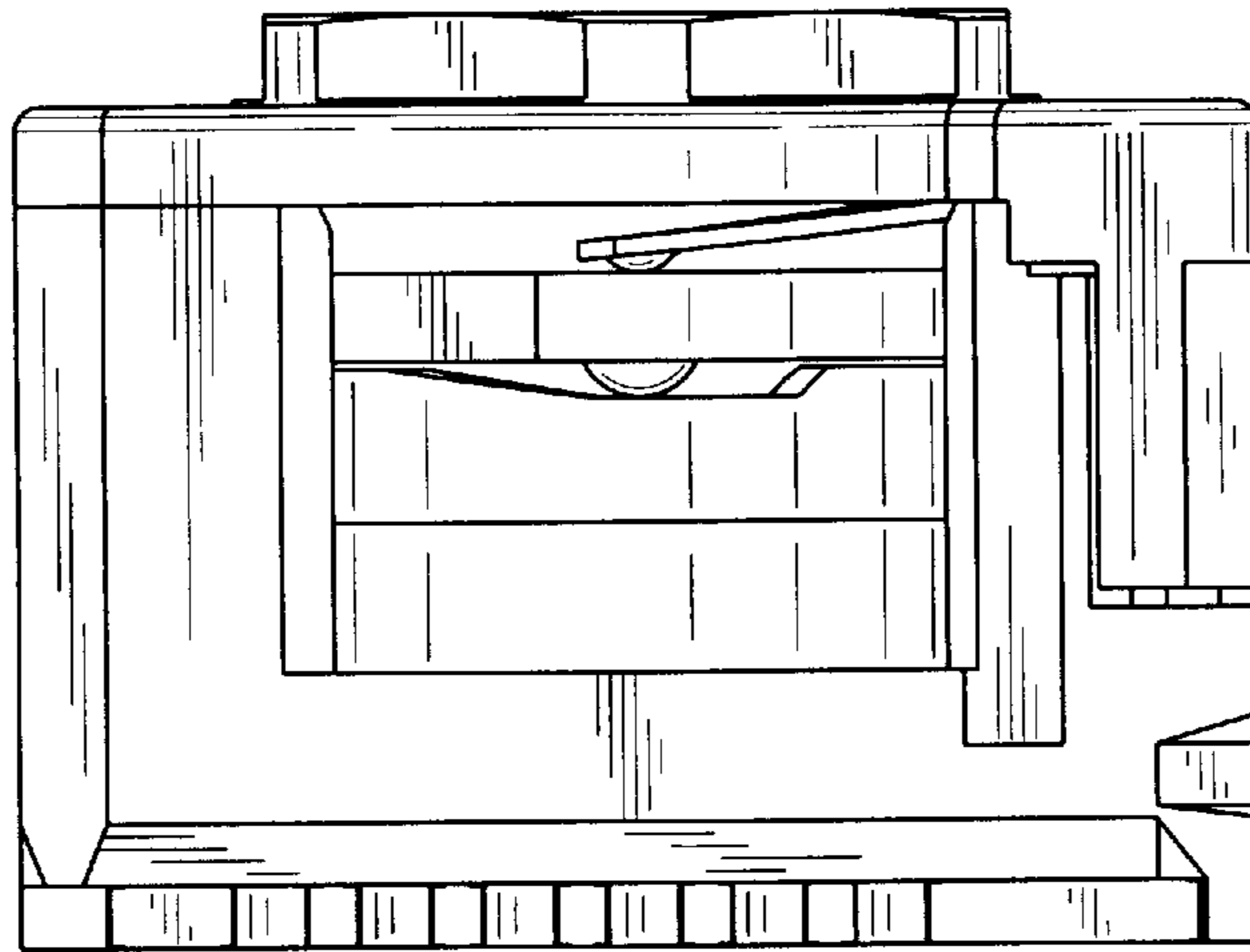


FIG. 7

