



US00D511180S

(12) **United States Design Patent**  
**Ertz et al.**

(10) **Patent No.:** **US D511,180 S**  
(45) **Date of Patent:** **\*\* Nov. 1, 2005**

(54) **CRISPER PAN FACADE**

(75) Inventors: **Lawrence J. Ertz**, Amana, IA (US);  
**Todd J. Tunzi**, Amana, IA (US)

(73) Assignee: **Maytag Corporation**, Newton, IA (US)

(\*\*) Term: **14 Years**

(21) Appl. No.: **29/201,954**

(22) Filed: **Mar. 24, 2004**

(51) **LOC (8) Cl.** ..... **15-01**

(52) **U.S. Cl.** ..... **D15/89**

(58) **Field of Search** ..... D15/79, 82, 85,  
D15/89-91; D6/387, 510; D7/550.1, 554.3,  
601-603; 62/344, 382; 312/270.3, 402-408;  
248/146

(56) **References Cited**

**U.S. PATENT DOCUMENTS**

D163,047 S	*	4/1951	Janes	.....	D15/89
D164,054 S	*	7/1951	Norberg et al.	.....	D15/91
3,789,620 A	*	2/1974	Benasutti et al.	.....	62/344
4,960,254 A	*	10/1990	Hartke	.....	248/146
5,226,707 A	*	7/1993	Han et al.	.....	312/408
D384,681 S	*	10/1997	Martin	.....	D15/89
D479,723 S	*	9/2003	Braun et al.	.....	D15/89
D492,328 S	*	6/2004	Uihlein et al.	.....	D15/89

\* cited by examiner

*Primary Examiner*—Stella Reid

*Assistant Examiner*—Shanda C. Hill

(74) *Attorney, Agent, or Firm*—Diedericks & Whitelaw,  
PLC

(57) **CLAIM**

The ornamental design for a crisper pan facade, as shown and described.

**DESCRIPTION**

FIG. 1 is a perspective view of a crisper pan facade showing our new design in use condition;

FIG. 2 is an upper right perspective view of the crisper pan facade;

FIG. 3 is a front elevational view thereof;

FIG. 4 is a top plan view thereof;

FIG. 5 is a right side elevational view thereof;

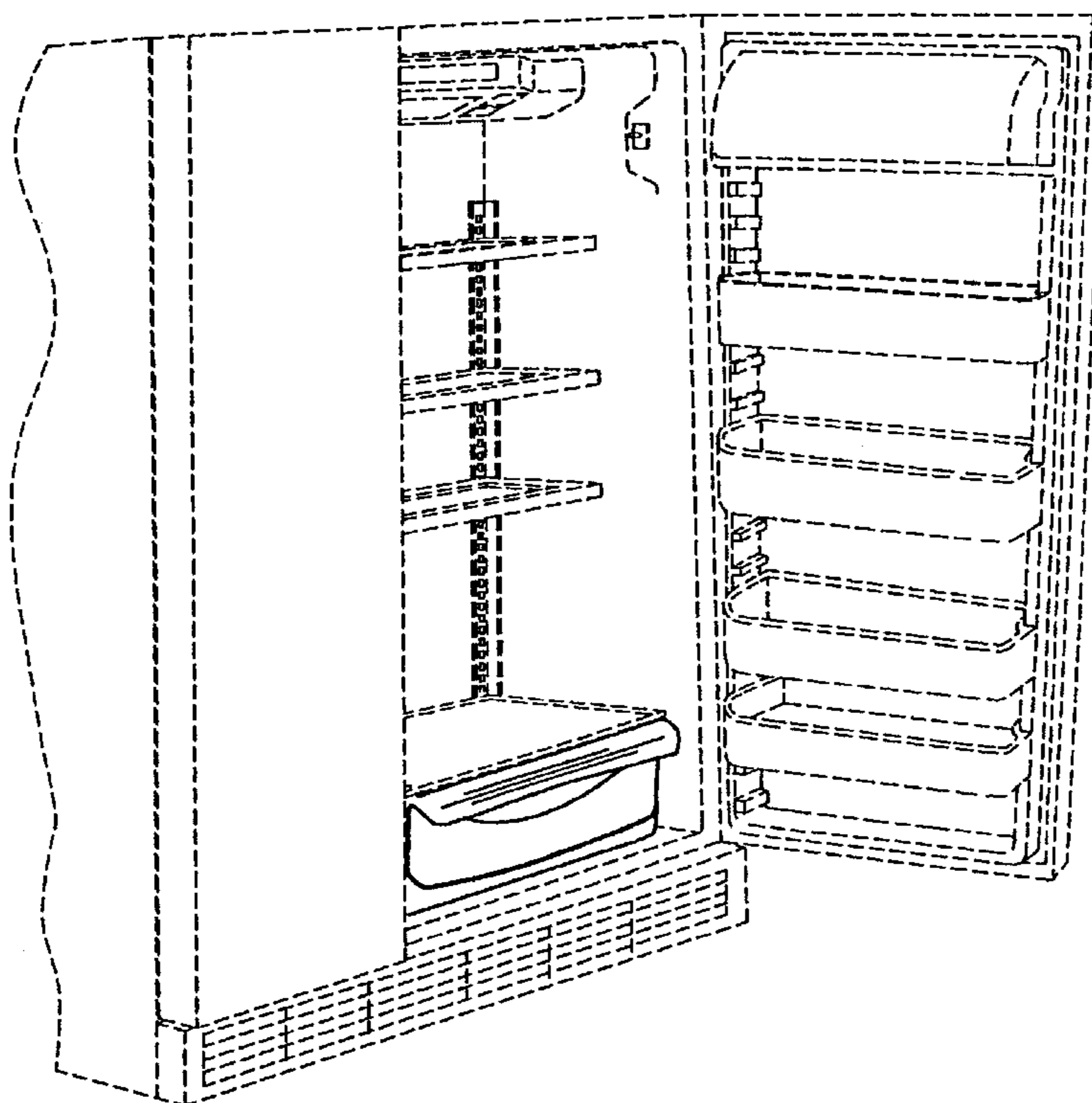
FIG. 6 is a left side elevational view thereof;

FIG. 7 is a rear elevational view thereof; and,

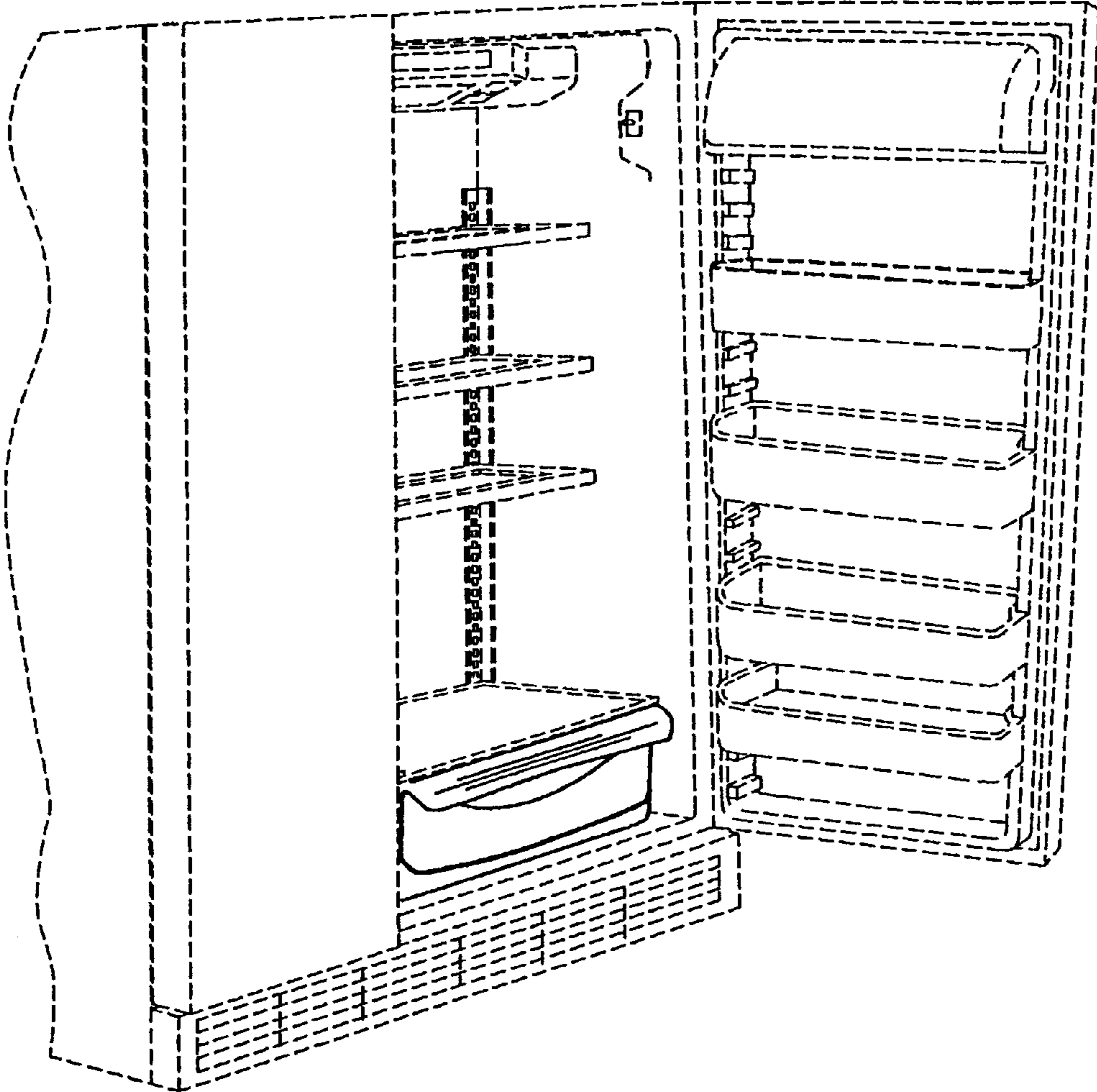
FIG. 8 is a bottom plan view thereof.

The broken lines showing a refrigerator cabinet, a shelving system in the refrigerator cabinet, refrigerator doors, door bins, door bin supports and storage drawers of FIG. 1, and the opposing side, bottom and rear walls of an overall crisper pan as shown in FIGS. 1, 2 and 4-8 are for illustrative purposes only and form no part of the claimed invention.

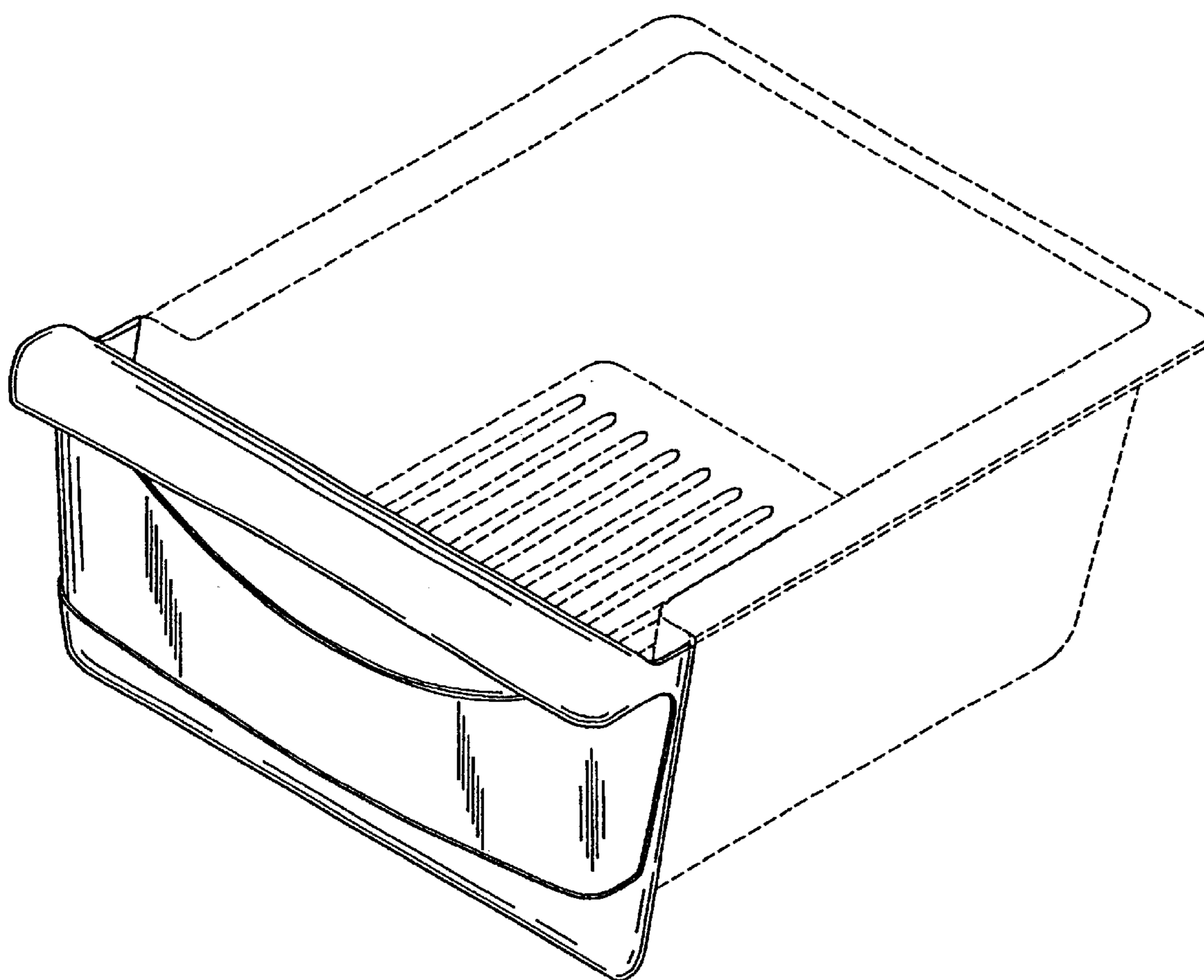
**1 Claim, 5 Drawing Sheets**



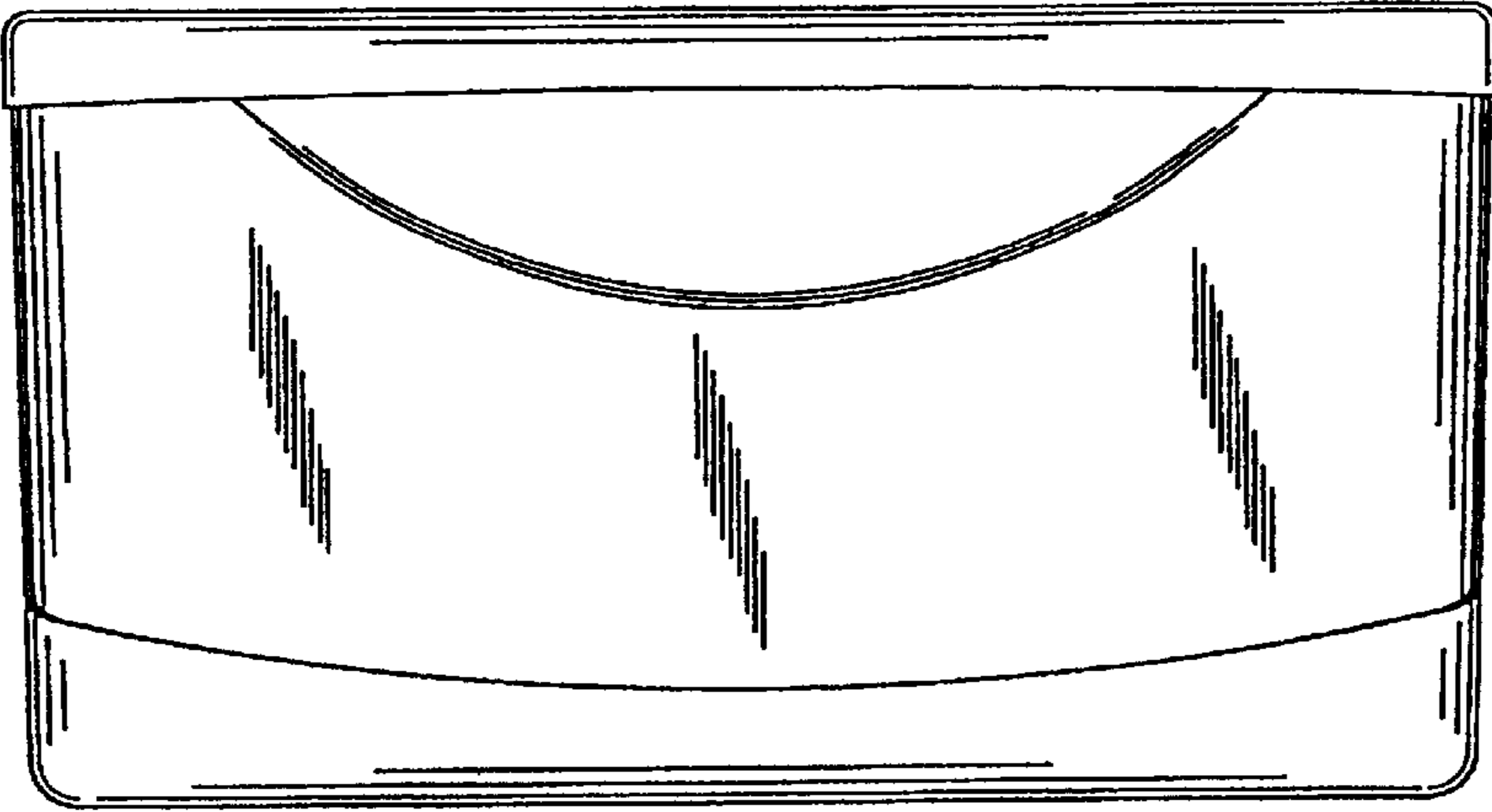
*FIG. 1*



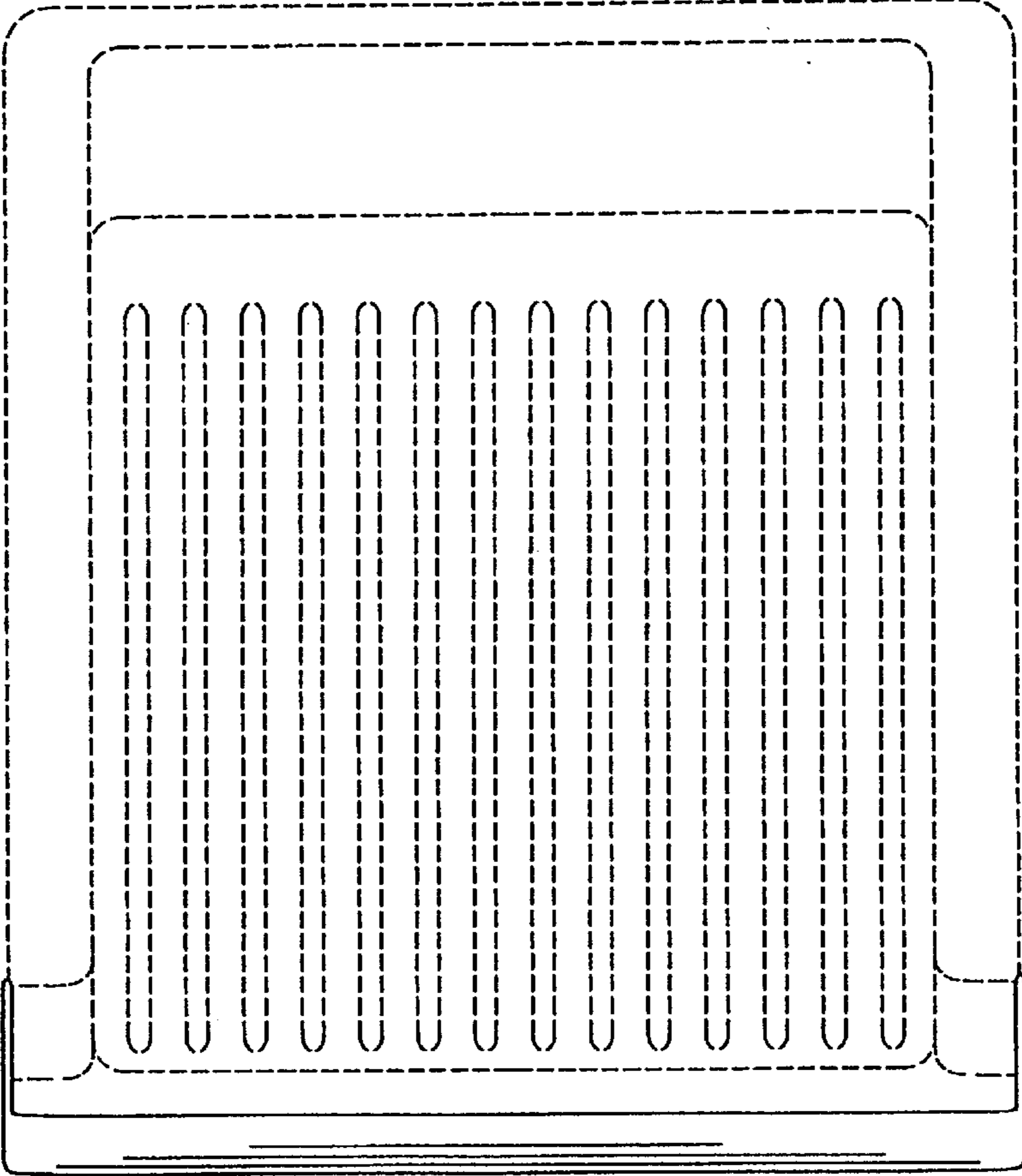
*FIG. 2*



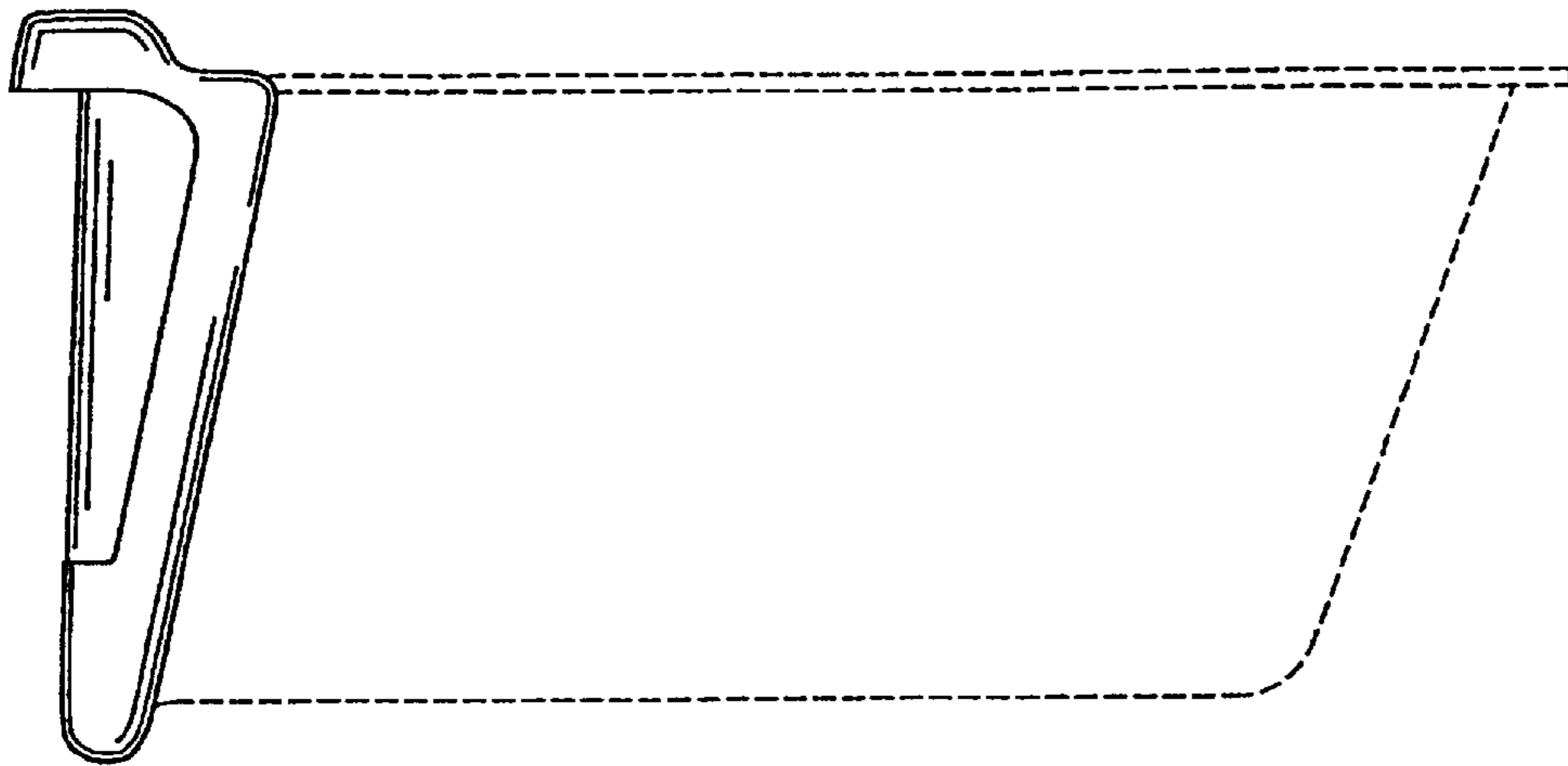
*FIG. 3*



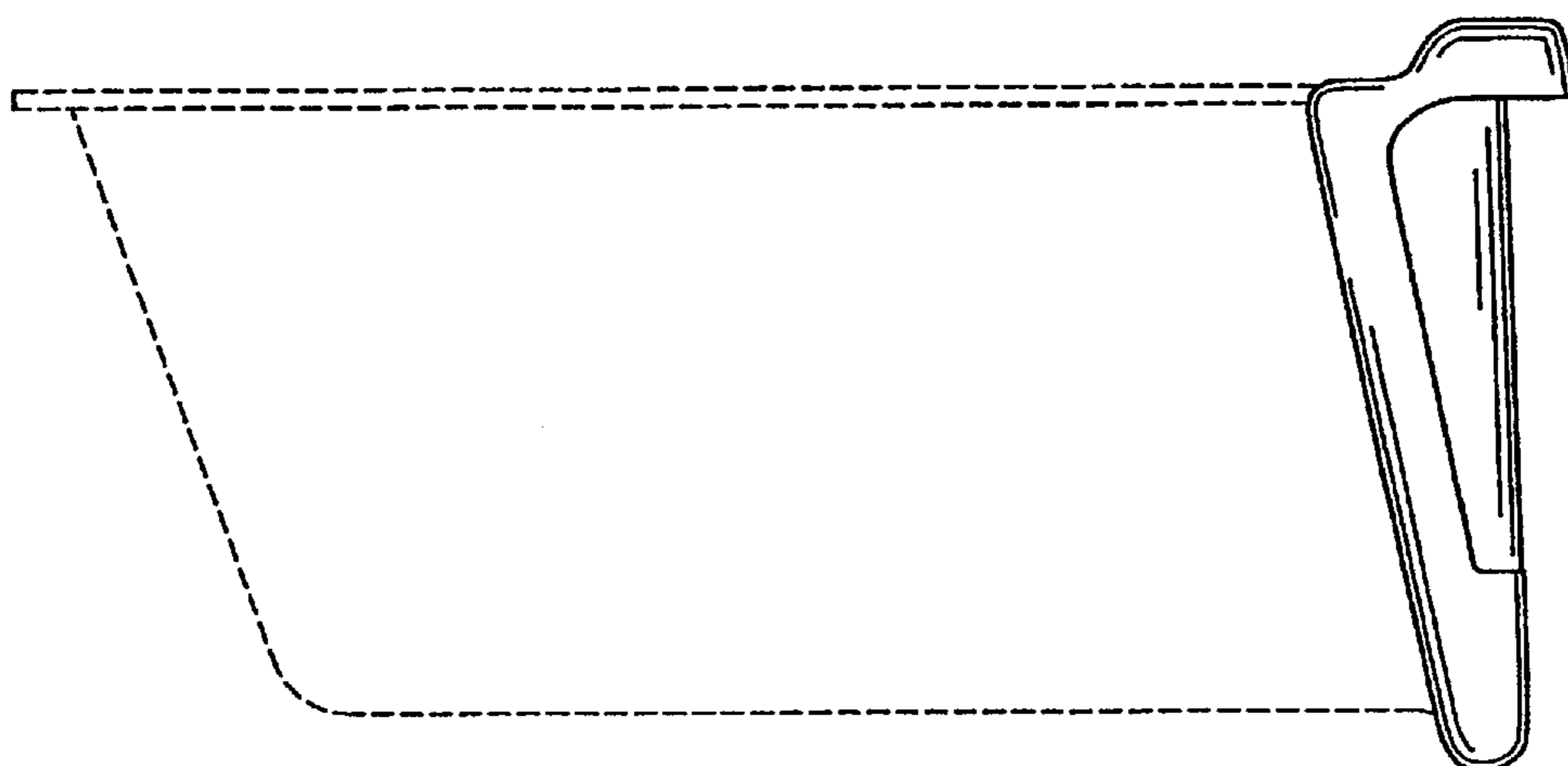
*FIG. 4*



*FIG. 5*

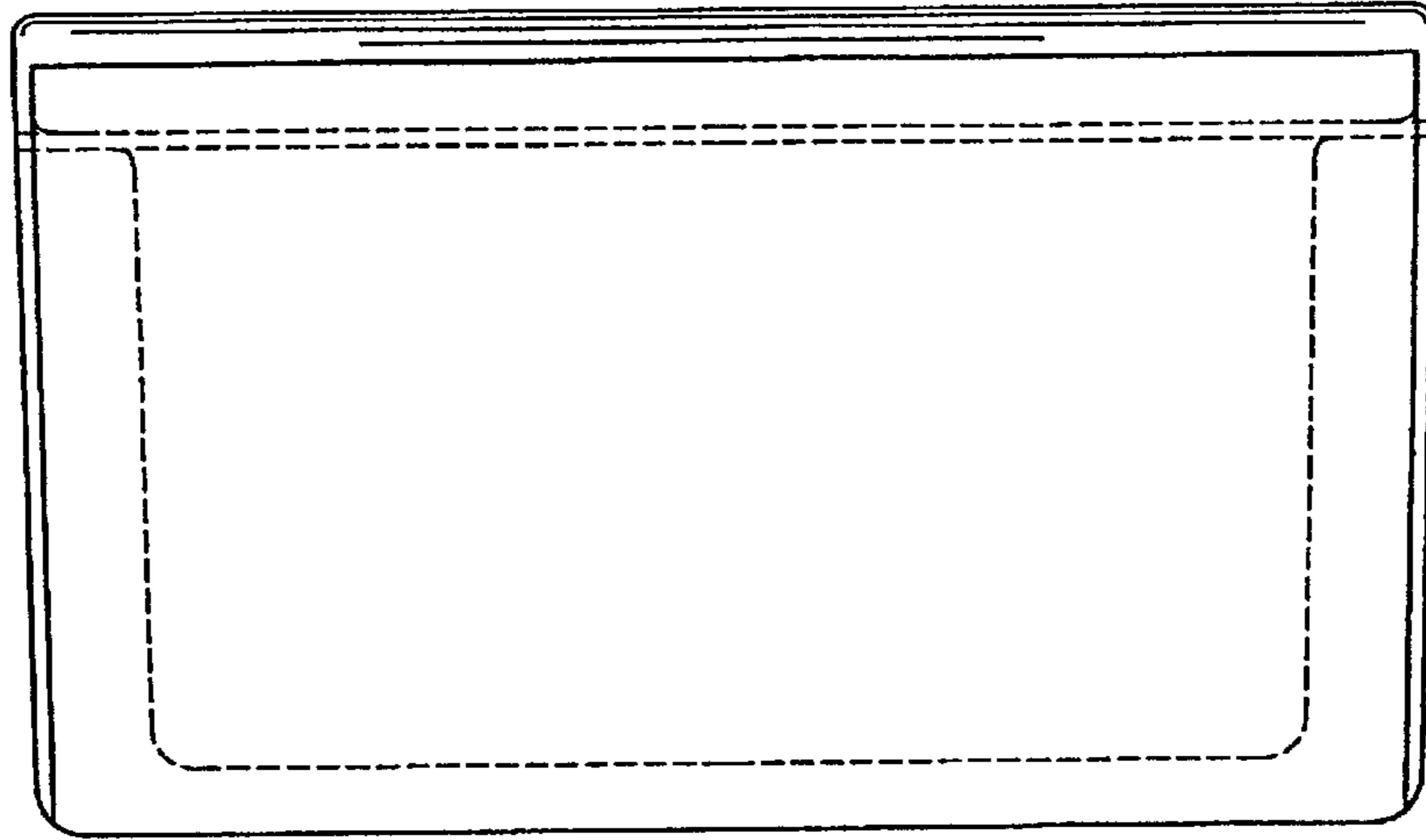


*FIG. 6*





*FIG. 7*



*FIG. 8*

