



US00D511179S

(12) **United States Design Patent**  
**Tunzi**

(10) **Patent No.:** **US D511,179 S**  
(45) **Date of Patent:** **\*\* Nov. 1, 2005**

(54) **DOOR BIN FOR A REFRIGERATOR**

2003/0020385 A1 1/2003 Leimkuehler et al.

(75) Inventor: **Todd J. Tunzi**, Amana, IA (US)

**FOREIGN PATENT DOCUMENTS**

(73) Assignee: **Maytag Corporation**, Newton, IA (US)

JP 03-168575 7/1991  
JP 11-237173 8/1999

(\*\*) Term: **14 Years**

\* cited by examiner

(21) Appl. No.: **29/200,135**

*Primary Examiner*—Stella Reid  
*Assistant Examiner*—Shanda C. Hill

(22) Filed: **Feb. 25, 2004**

(74) *Attorney, Agent, or Firm*—Diederiks & Whitelaw, PLC

(51) **LOC (8) Cl.** ..... **15-01**

(52) **U.S. Cl.** ..... **D15/89**

(58) **Field of Search** ..... D15/79, 82, 85,  
D15/89-91; D6/387, 510, 511; D7/550.1,  
554.3, 601-603; 62/277, 382; 312/270.3,  
402-404; 248/146

(57) **CLAIM**

The ornamental design for a door bin for a refrigerator, as shown and described.

**DESCRIPTION**

(56) **References Cited**

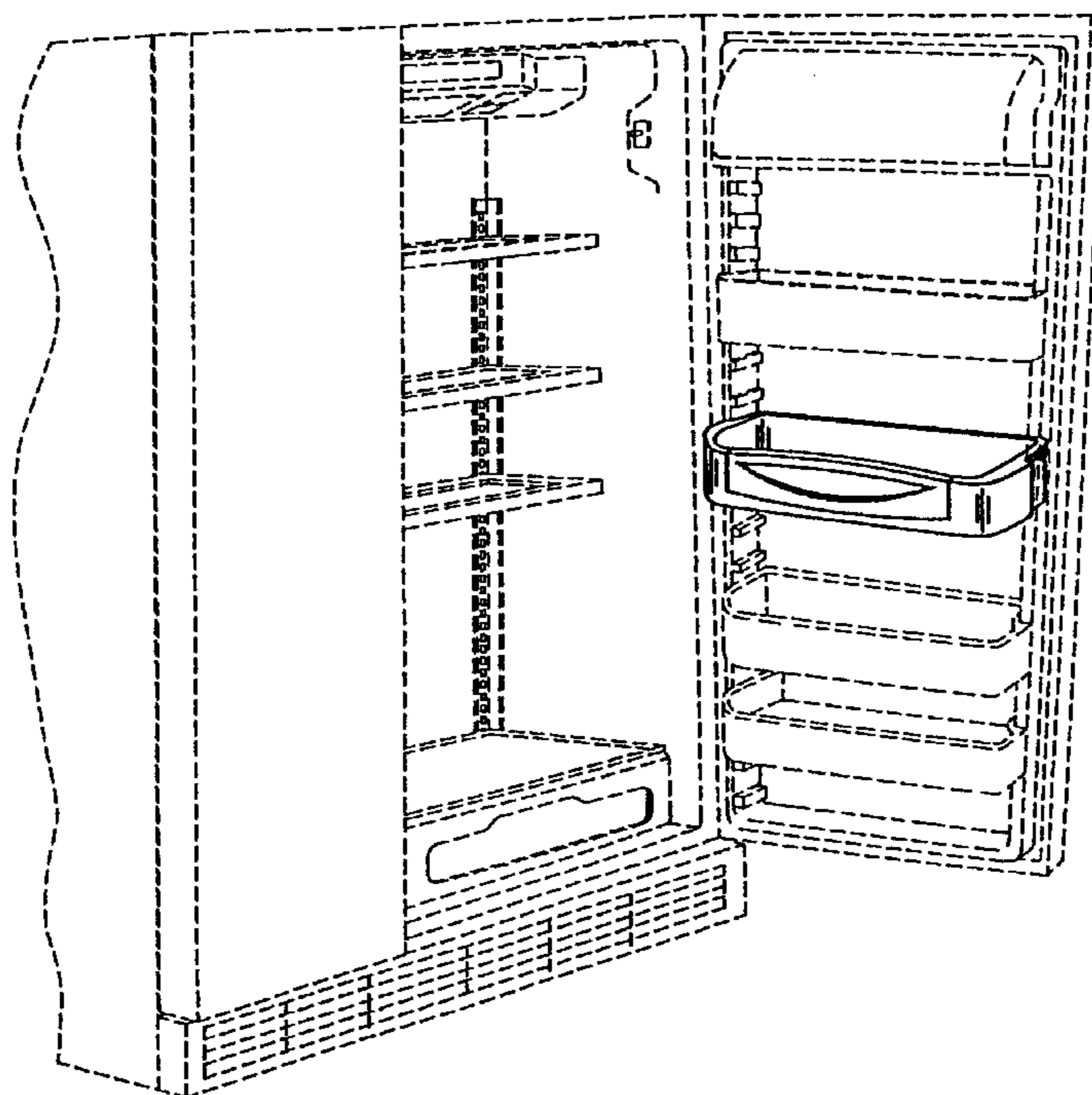
**U.S. PATENT DOCUMENTS**

D178,704 S	*	9/1956	Stevens et al.	.....	D15/91
D219,483 S	*	12/1970	Doman et al.	.....	D15/89
3,835,660 A	*	9/1974	Franck	.....	62/277
D292,516 S	*	10/1987	Wolff	.....	D15/89
4,960,254 A	*	10/1990	Hartke	.....	248/146
5,100,213 A		3/1992	Vandarakis et al.		
D342,743 S	*	12/1993	Renner	.....	D15/91
D344,739 S		3/1994	Edman et al.		
D375,856 S	*	11/1996	Martin	.....	D6/511
5,951,134 A		9/1999	Braun et al.		
6,085,542 A		7/2000	Johnson et al.		
D487,576 S	*	3/2004	Reed et al.	.....	D15/89
D490,091 S	*	5/2004	Quinlan	.....	D15/89
D495,346 S	*	8/2004	Reed et al.	.....	D15/89

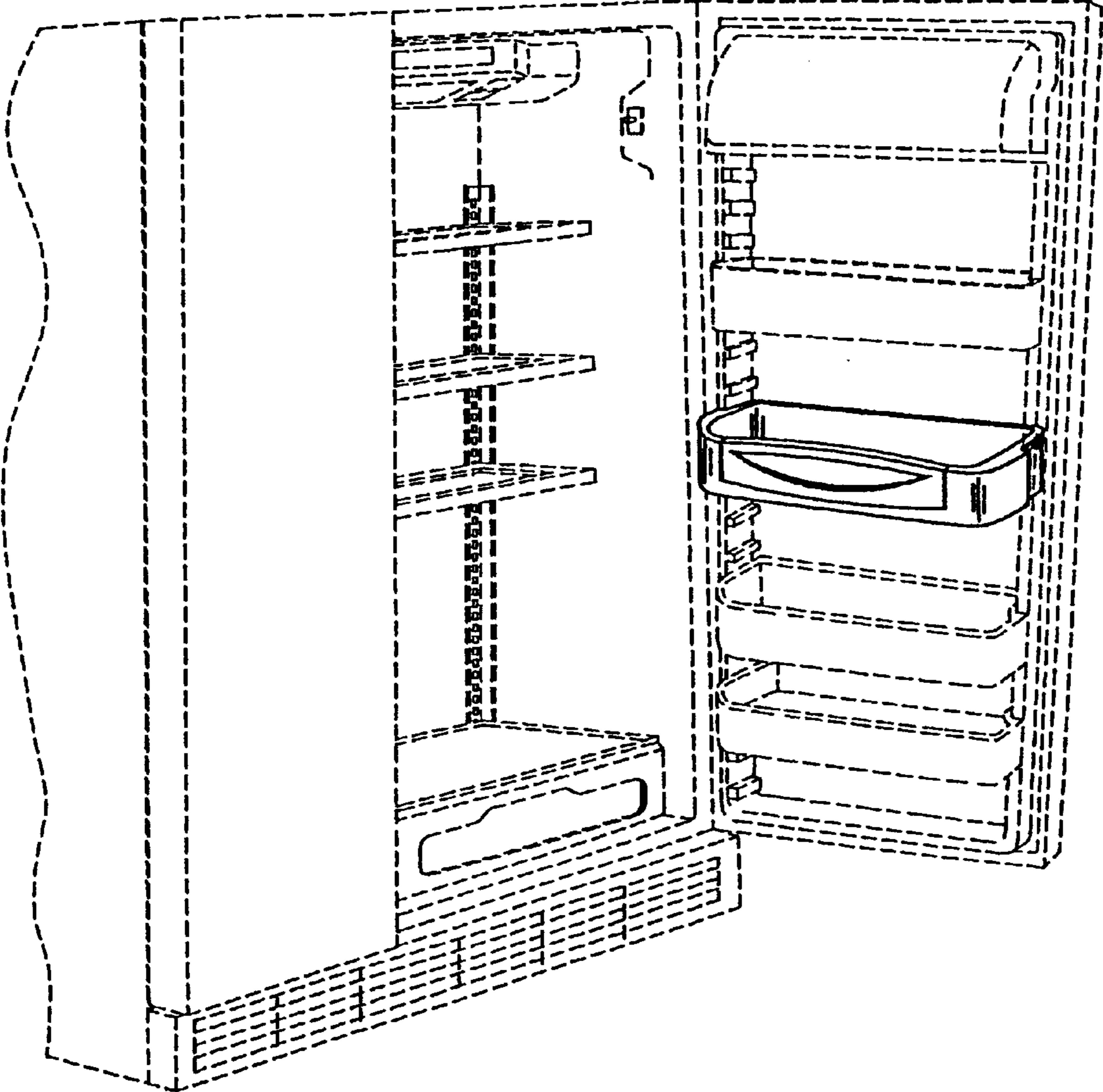
FIG. 1 is a perspective view of a door bin for a refrigerator showing our new design in use condition; FIG. 2 is an upper right perspective view of the door bin for a refrigerator; FIG. 3 is a front elevational view thereof; FIG. 4 is a top plan view thereof; FIG. 5 is a bottom plan view thereof; FIG. 6 is a right side elevational view thereof; FIG. 7 is a left side elevational view thereof; and, FIG. 8 is a rear elevational view thereof.

The broken lines showing a refrigerator cabinet, a shelving system in the refrigerator cabinet, refrigerator doors, door bin supports and crisper pans in FIG. 1 are for illustrative purposes only and form no part of the claimed invention.

**1 Claim, 7 Drawing Sheets**



*FIG. 1*



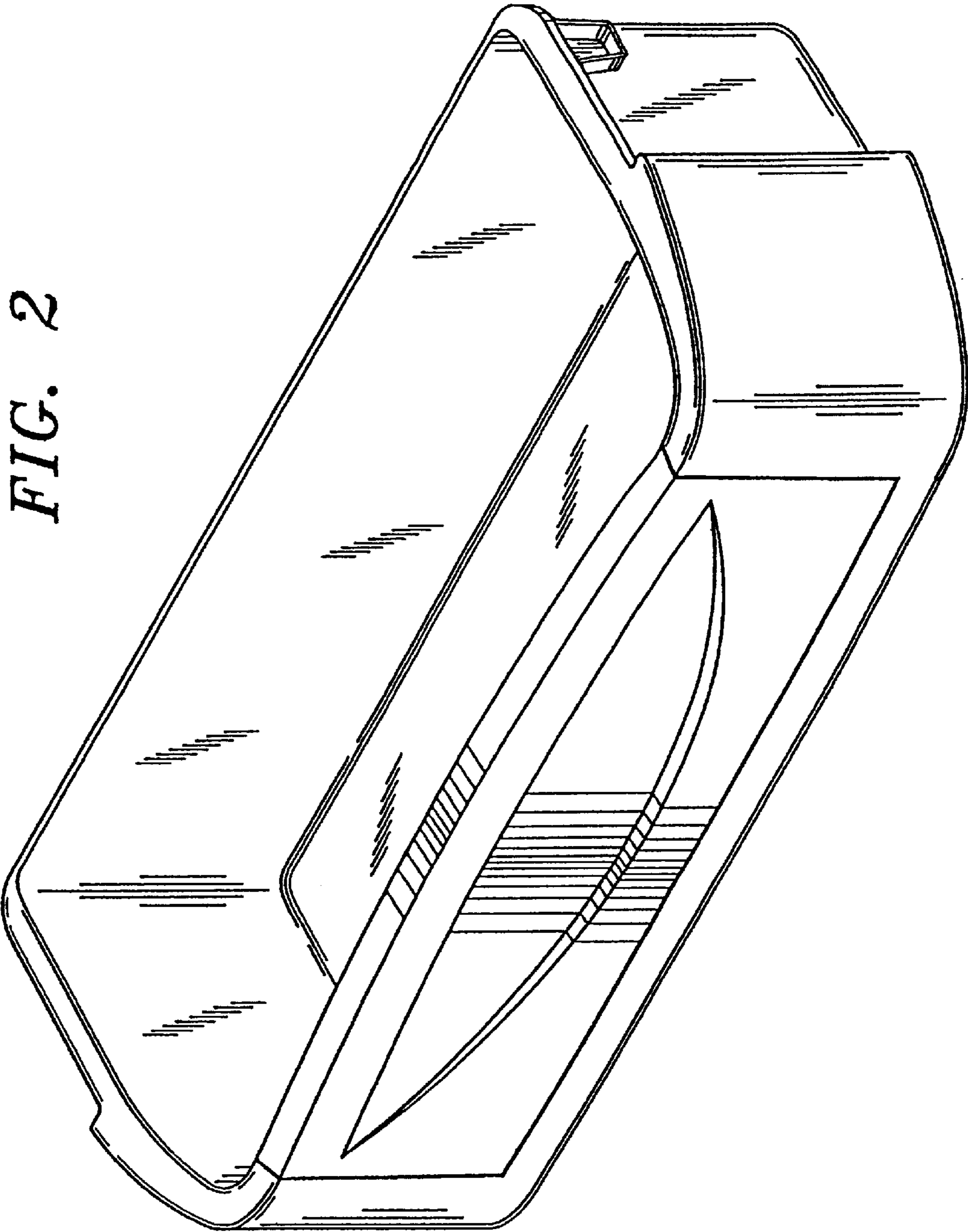
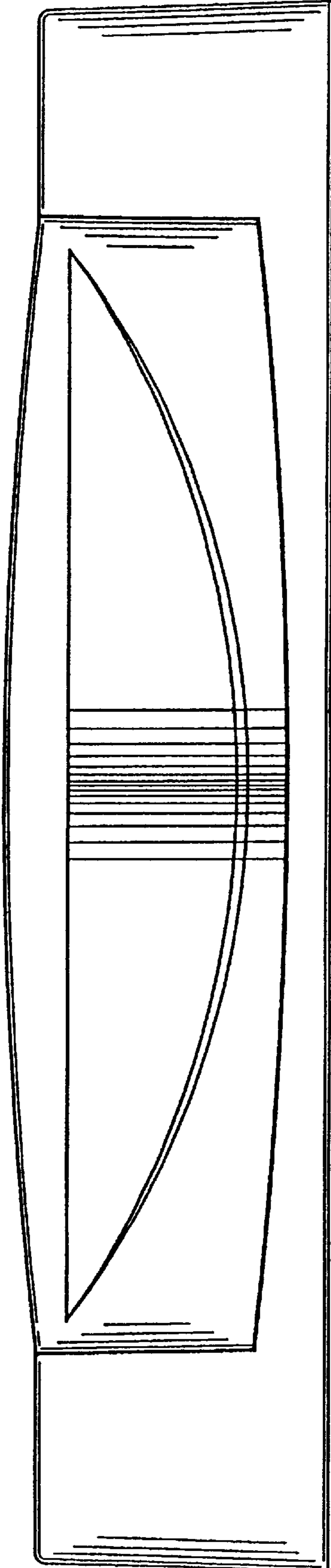
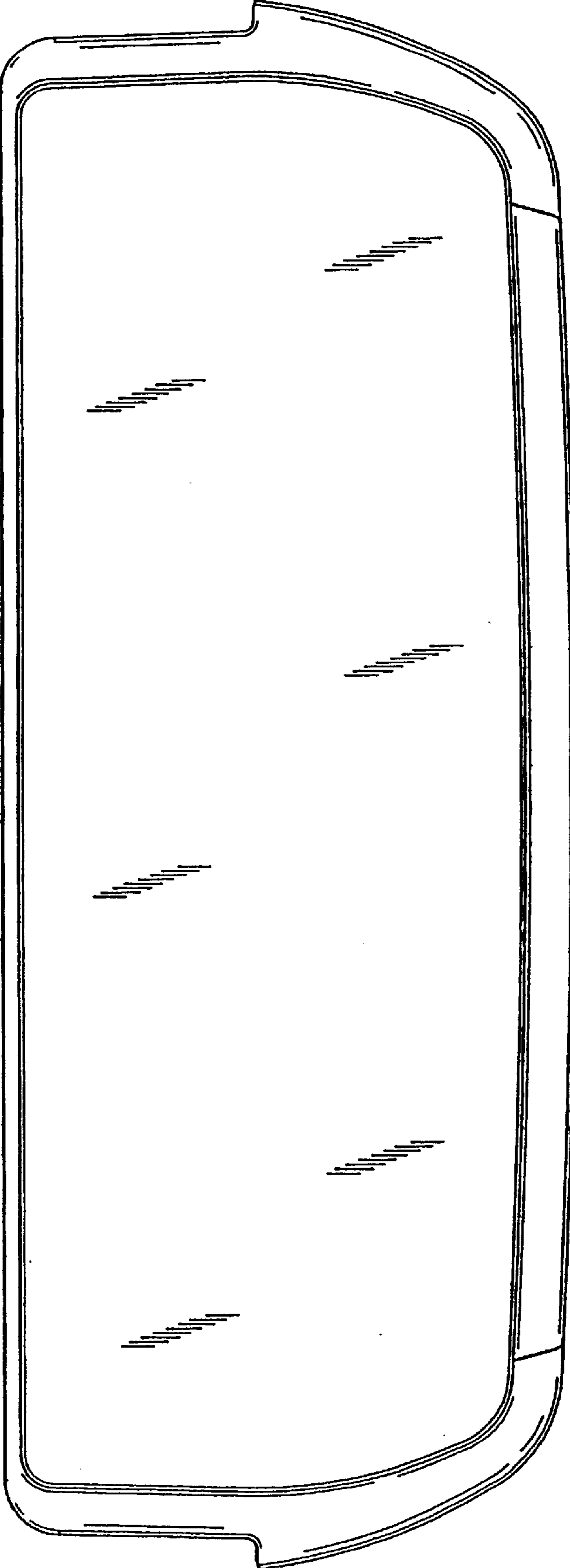


FIG. 2

*FIG. 3*

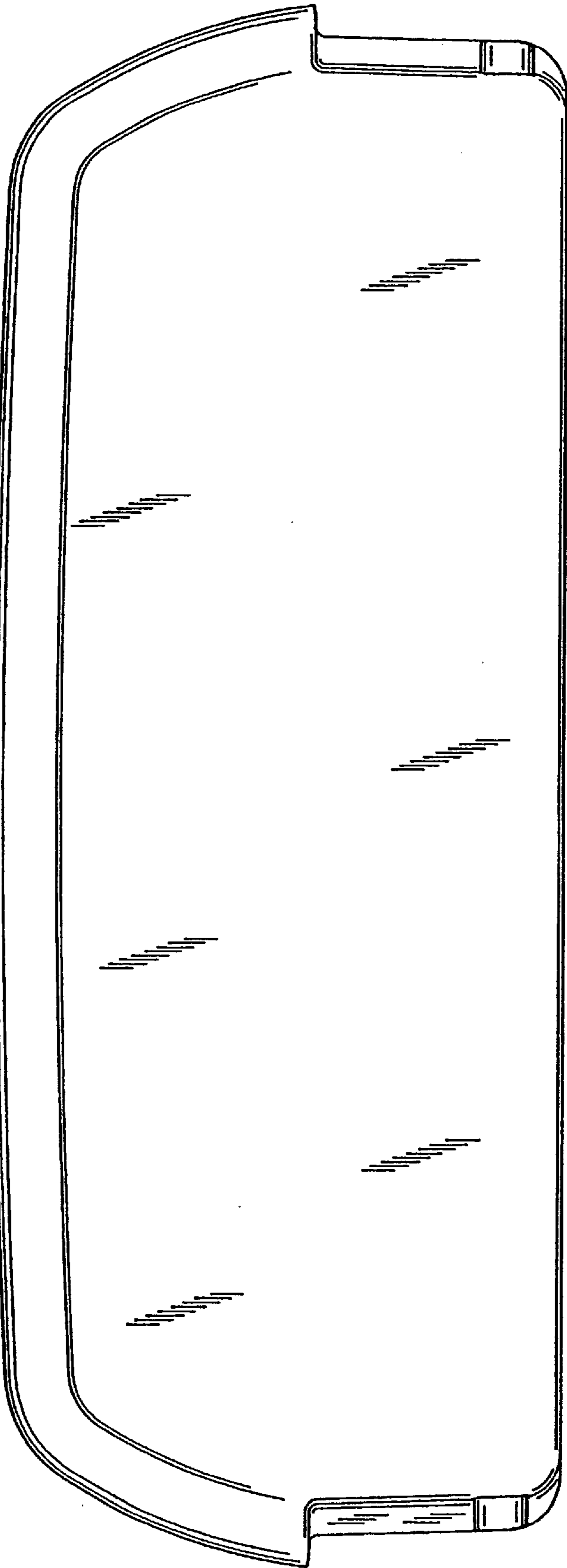


*FIG. 4*

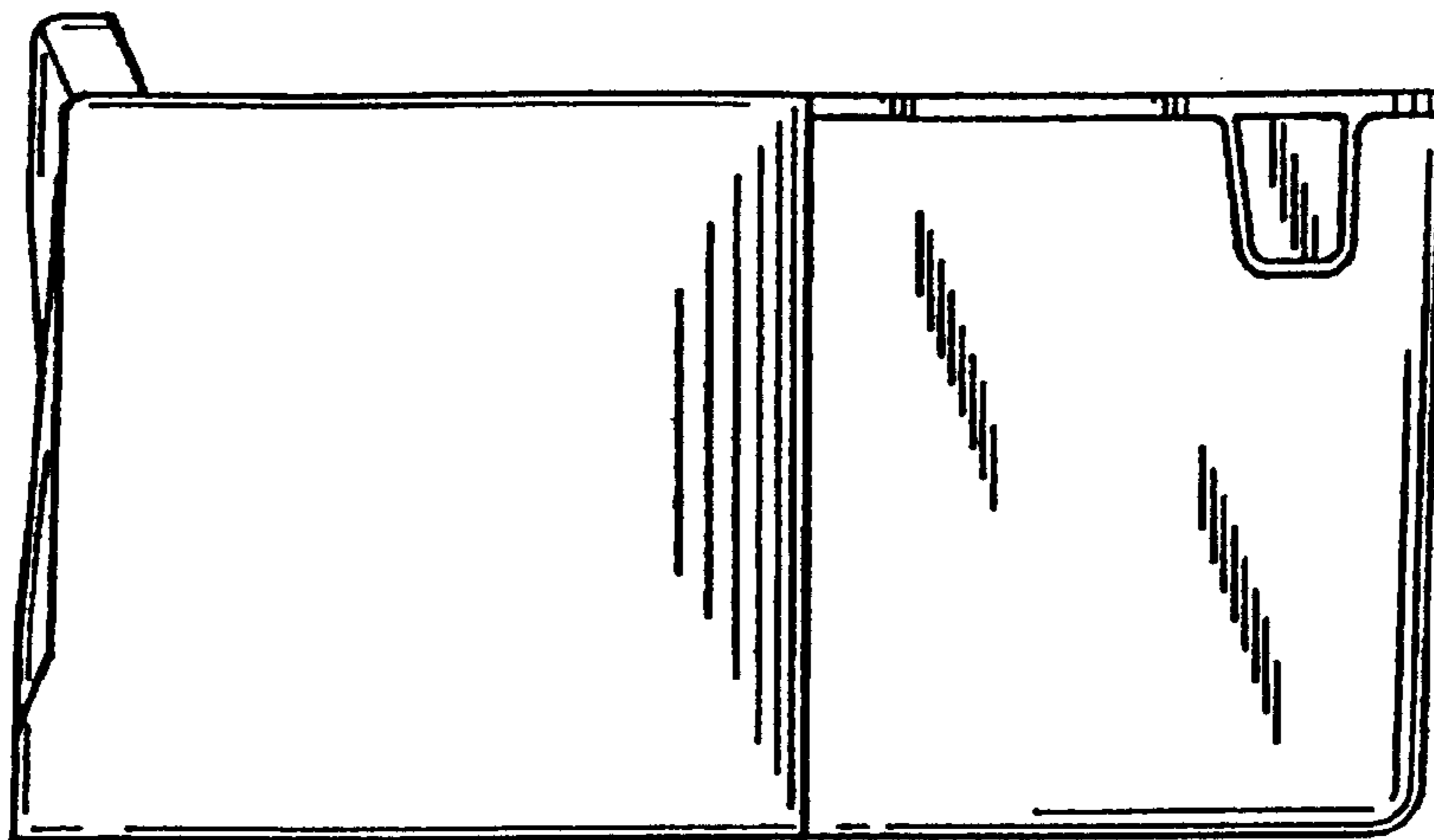




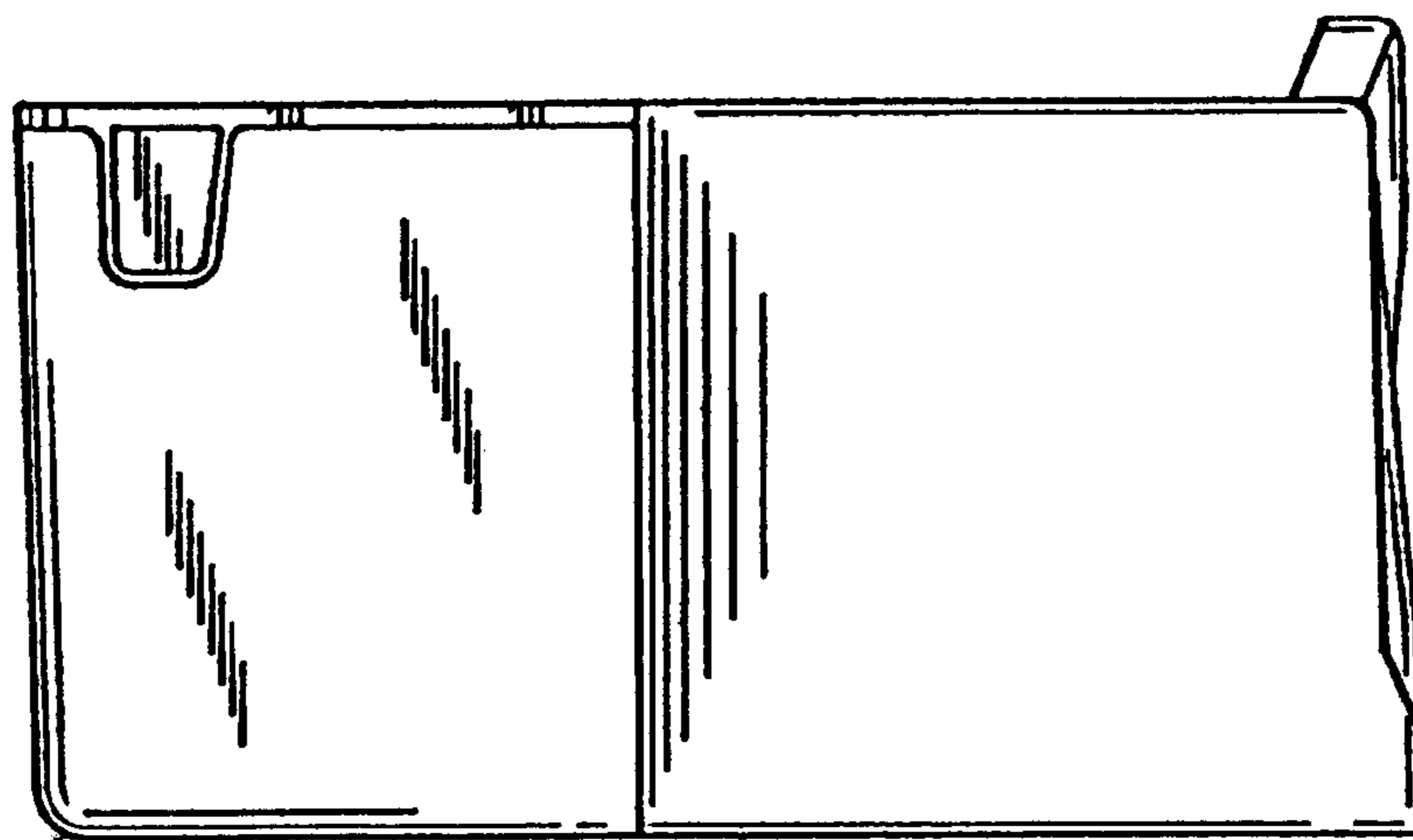
*FIG. 5*



*FIG. 6*



*FIG. 7*



*FIG. 8*

