



US00D511177S

(12) **United States Design Patent** (10) **Patent No.:** **US D511,177 S**
Jackovin et al. (45) **Date of Patent:** **** Nov. 1, 2005**

(54) **DOOR BIN FOR A REFRIGERATOR**

D495,346 S * 8/2004 Reed et al. D15/89
2003/0020385 A1 * 1/2003 Leimkuehler et al.

(75) Inventors: **Gary B. Jackovin**, Ankeny, IA (US);
Todd J. Tunzi, Amana, IA (US)

FOREIGN PATENT DOCUMENTS

(73) Assignee: **Maytag Corporation**, Newton, IA (US)

JP 03-168575 * 7/1991
JP 11-237173 * 8/1999

(**) Term: **14 Years**

* cited by examiner

(21) Appl. No.: **29/200,127**

Primary Examiner—Stella Reid
Assistant Examiner—Shanda C. Hill

(22) Filed: **Feb. 25, 2004**

(74) *Attorney, Agent, or Firm*—Diederiks & Whitelaw,
PLC

(51) **LOC (8) Cl.** **15-01**

(52) **U.S. Cl.** **D15/89**

(58) **Field of Search** D15/79, 82, 85,
D15/89-91; D6/387, 510, 511; D7/550.1,
554.3, 601-603; 62/277, 382; 312/270.3,
402-404; 248/146

(57) **CLAIM**

The ornamental design for a door bin for a refrigerator, as shown and described.

(56) **References Cited**

DESCRIPTION

U.S. PATENT DOCUMENTS

D178,704 S * 9/1956 Stevens et al. D15/91
D219,483 S * 12/1970 Doman et al. D15/89
3,835,660 A * 9/1974 Franck 62/277
D292,516 S * 10/1987 Wolff D15/89
4,960,254 A * 10/1990 Hartke 248/146
5,100,213 A * 3/1992 Vandarakis et al.
D342,743 S * 12/1993 Renner D15/91
D344,739 S * 3/1994 Edman et al.
D375,856 S * 11/1996 Martin D6/511
5,951,134 A * 9/1999 Braun et al.
6,085,542 A * 7/2000 Johnson et al.
D487,576 S * 3/2004 Reed et al. D15/89
D490,091 S * 5/2004 Quinlan D15/89

FIG. 1 is a perspective view of a door bin for a refrigerator showing our new design in use condition; FIG. 2 is an upper right perspective view of the door bin for a refrigerator; FIG. 3 is a front elevational view thereof; FIG. 4 is a top plan view thereof; FIG. 5 is a right side elevational view thereof; FIG. 6 is a left side elevational view thereof; FIG. 7 is a rear elevational view thereof; and, FIG. 8 is a bottom plan view thereof.

The broken lines showing a refrigerator cabinet, a shelving system in the refrigerator cabinet, refrigerator doors, door bin supports and crisper pans in FIG. 1 are for illustrative purposes only and form no part of the claimed invention.

1 Claim, 6 Drawing Sheets

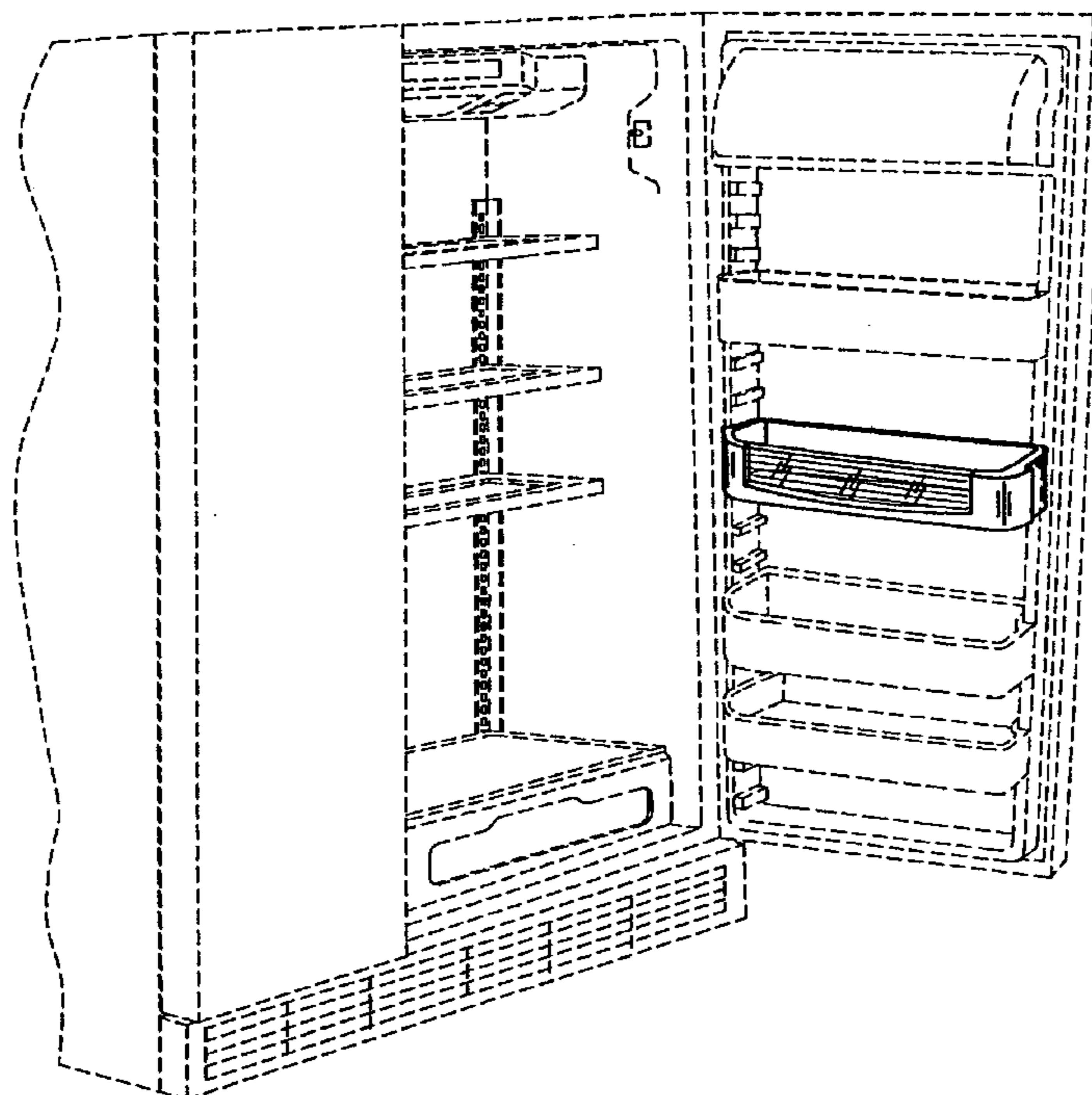


FIG. 1

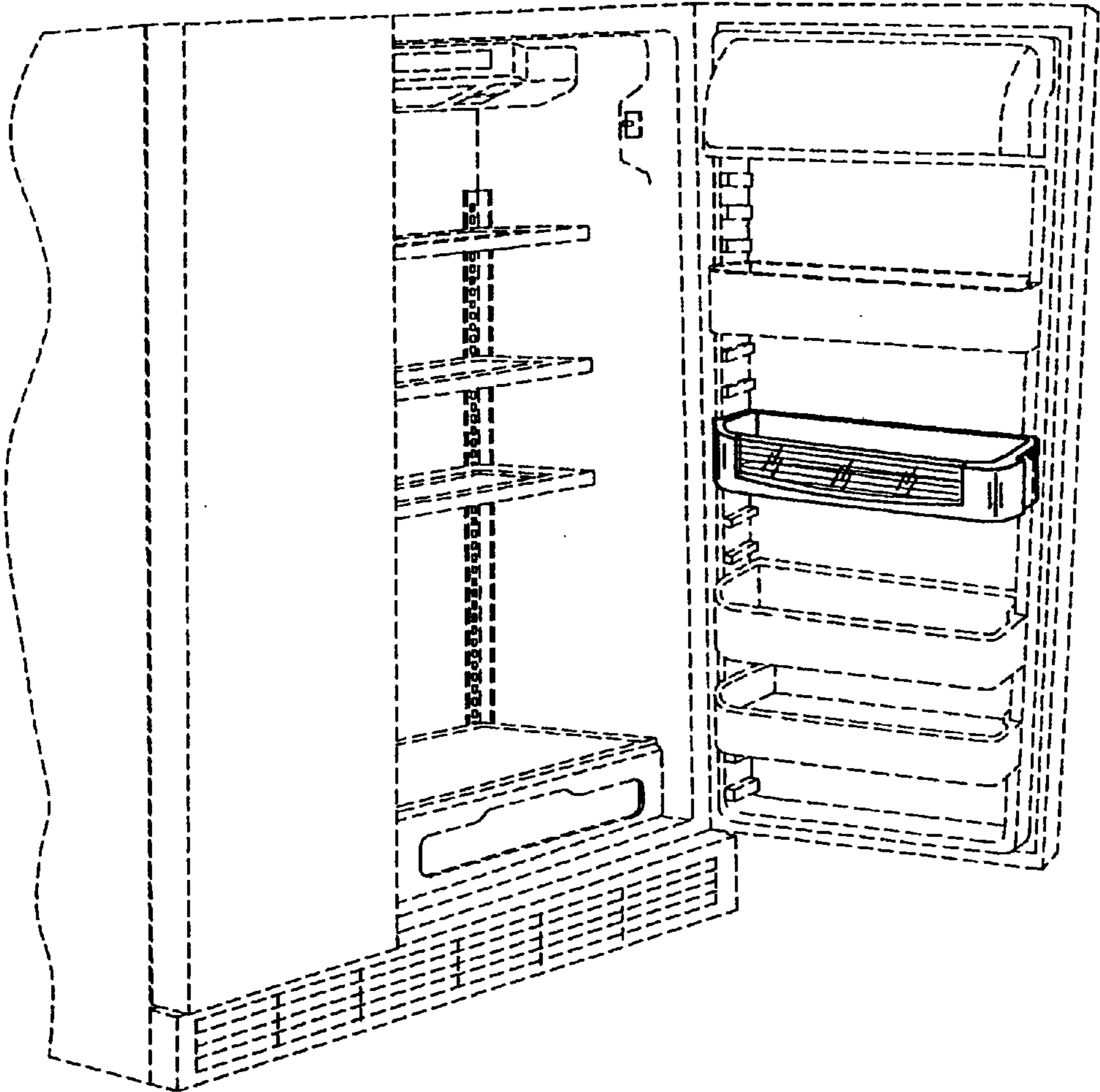


FIG. 2

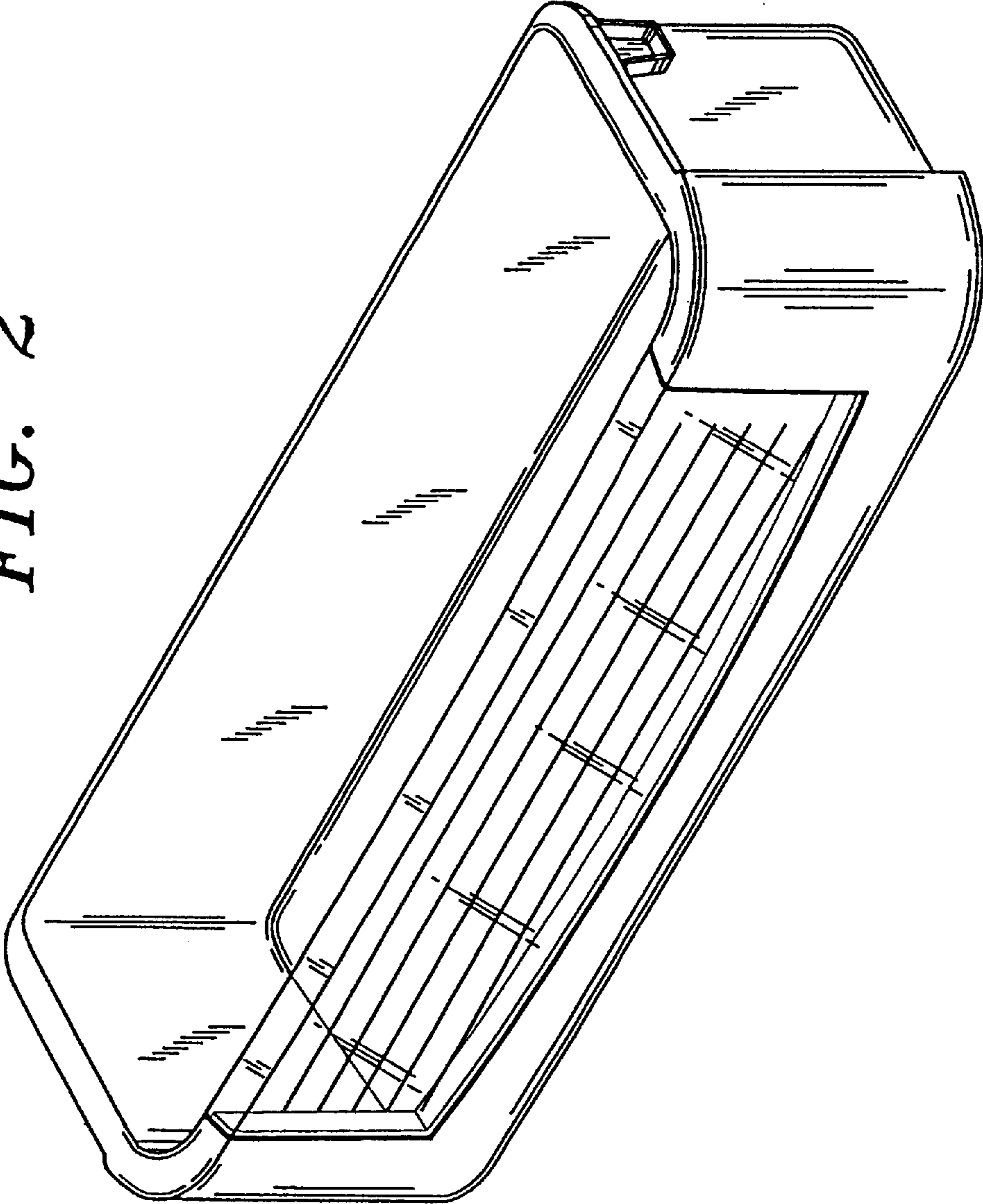


FIG. 3

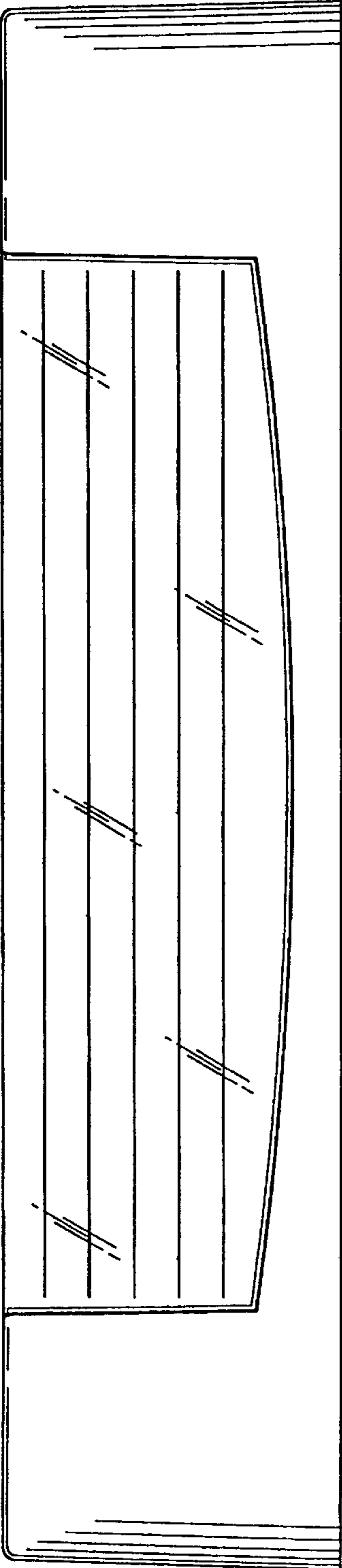


FIG. 4

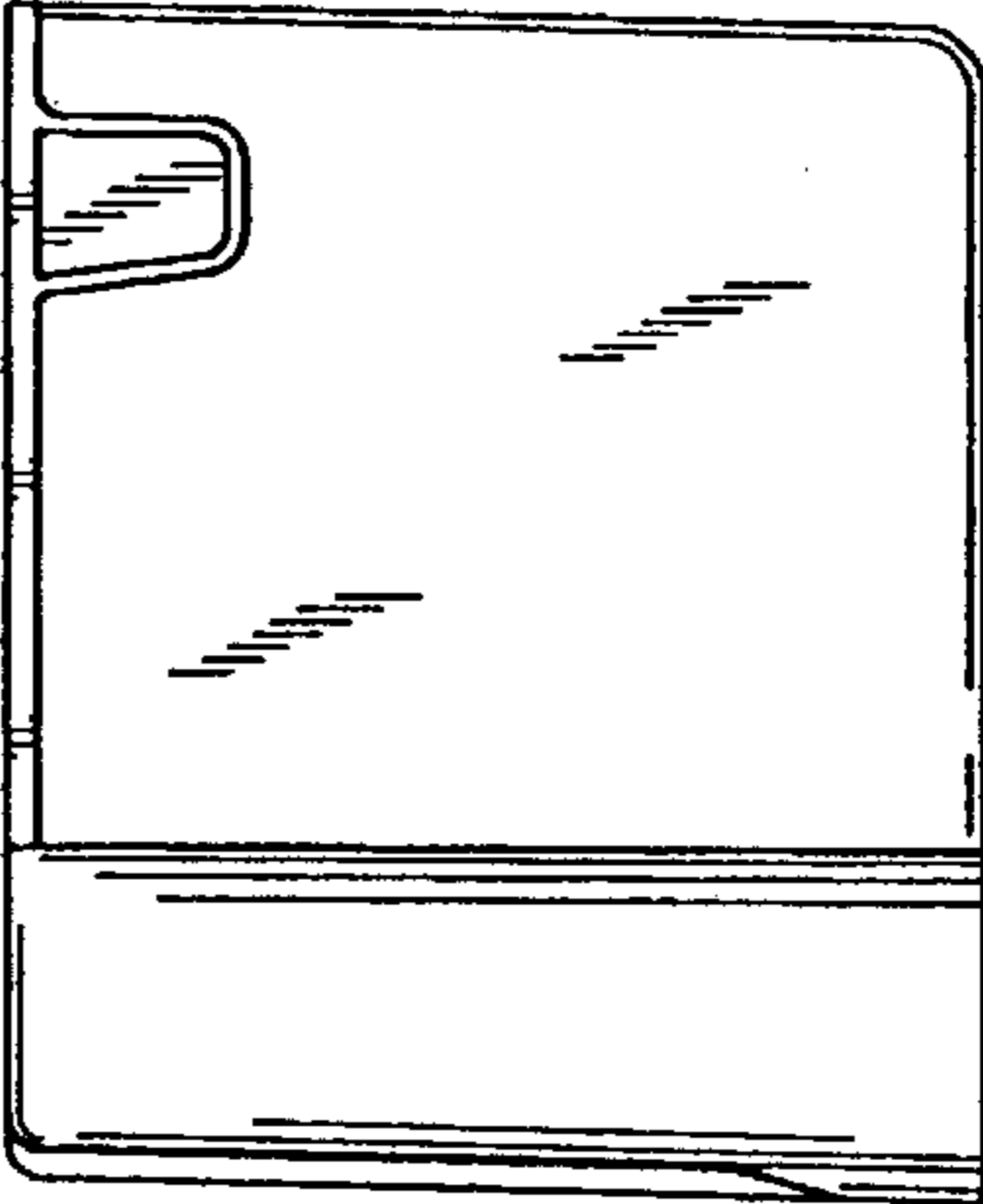


FIG. 5

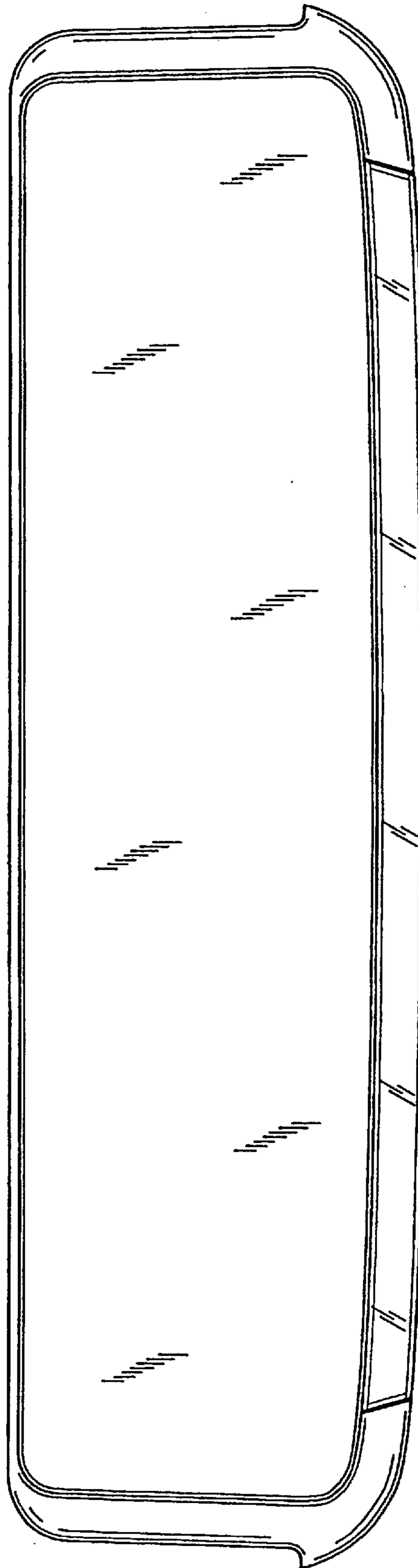


FIG. 6

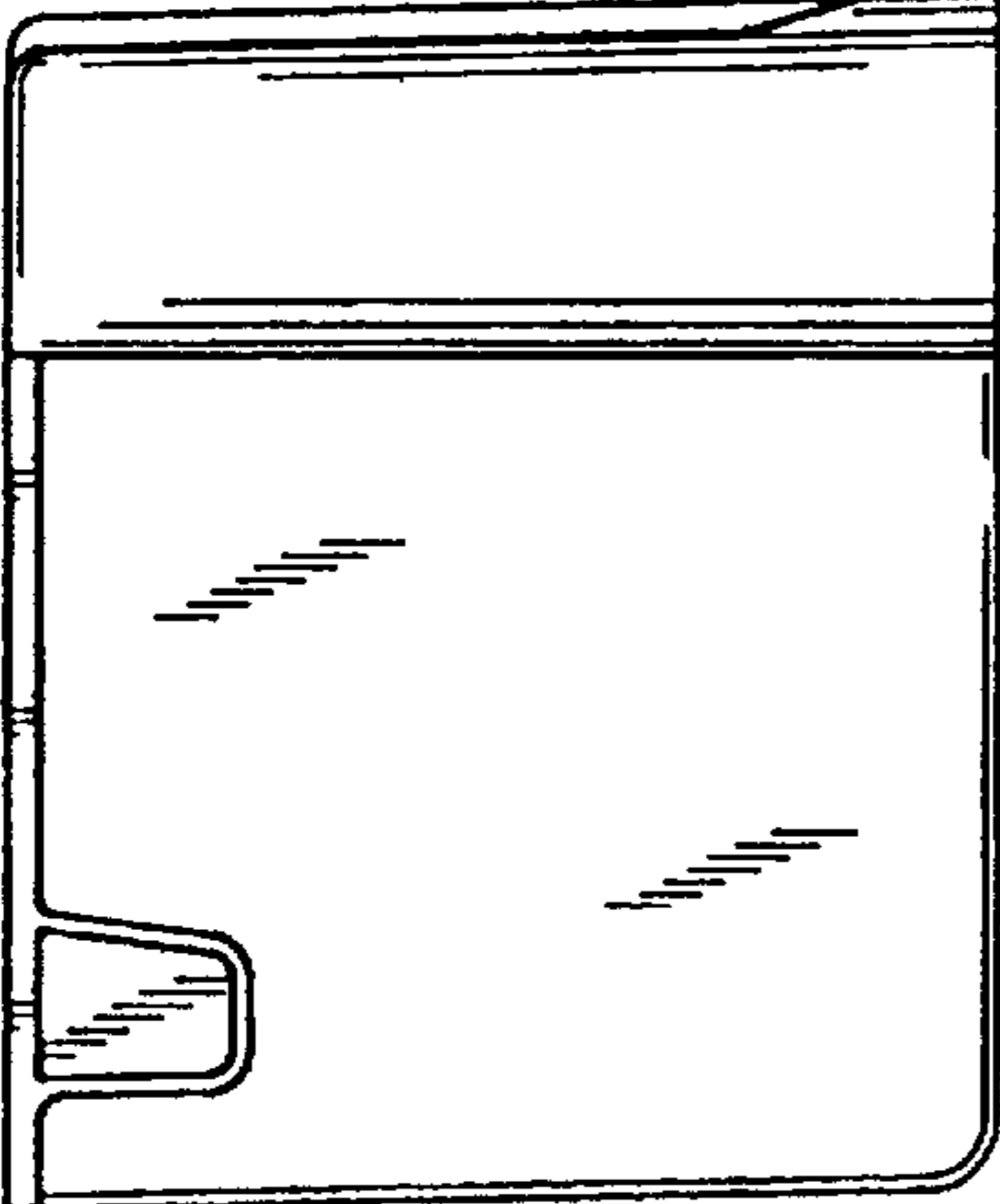


FIG. 7

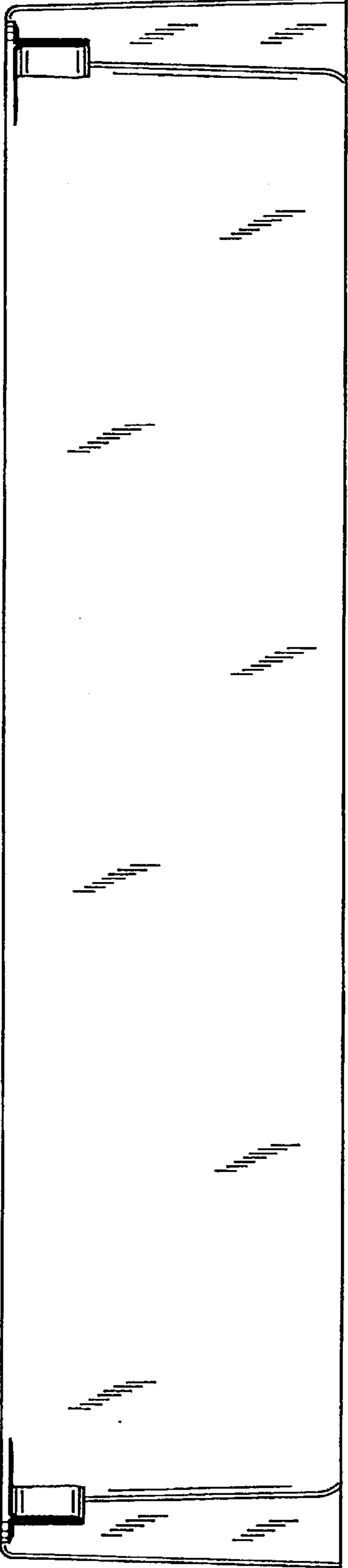


FIG. 8

