



US00D511174S

(12) **United States Design Patent**  
**Fatemi**

(10) **Patent No.:** **US D511,174 S**  
(45) **Date of Patent:** **\*\* Nov. 1, 2005**

(54) **SNOW PUSHER SIDEWALL GUSSET**

5,477,600 A \* 12/1995 Houle et al. .... 37/279  
5,697,731 A 12/1997 Bonds  
5,724,755 A 3/1998 Weagley  
5,860,230 A 1/1999 Daniels  
5,894,689 A 4/1999 Turk  
5,899,007 A 5/1999 Niemela et al.

(75) Inventor: **Ray S. Fatemi**, Fairlawn, OH (US)

(73) Assignee: **JRB Attachments, LLC**, Akron, OH (US)

(\*\*) Term: **14 Years**

(Continued)

(21) Appl. No.: **29/207,221**

*Primary Examiner*—Stella Reid  
*Assistant Examiner*—Mark A. Goodwin  
(74) *Attorney, Agent, or Firm*—Fay, Sharpe, Fagan, Minnich & McKee, LLP

(22) Filed: **Jun. 9, 2004**

(51) **LOC (8) Cl.** ..... **15-03**

(52) **U.S. Cl.** ..... **D15/11**

(58) **Field of Search** ..... D15/10, 11, 23, D15/25, 28, 29, 32; 37/231, 219, 273, 276, 407, 266, 279; 172/701.2, 2, 7, 817, 826, 821; 254/131.5, 54.5, 59; 701/50; 180/6.7

(57) **CLAIM**

The ornamental design for a snow pusher sidewall gusset, as shown and described.

**DESCRIPTION**

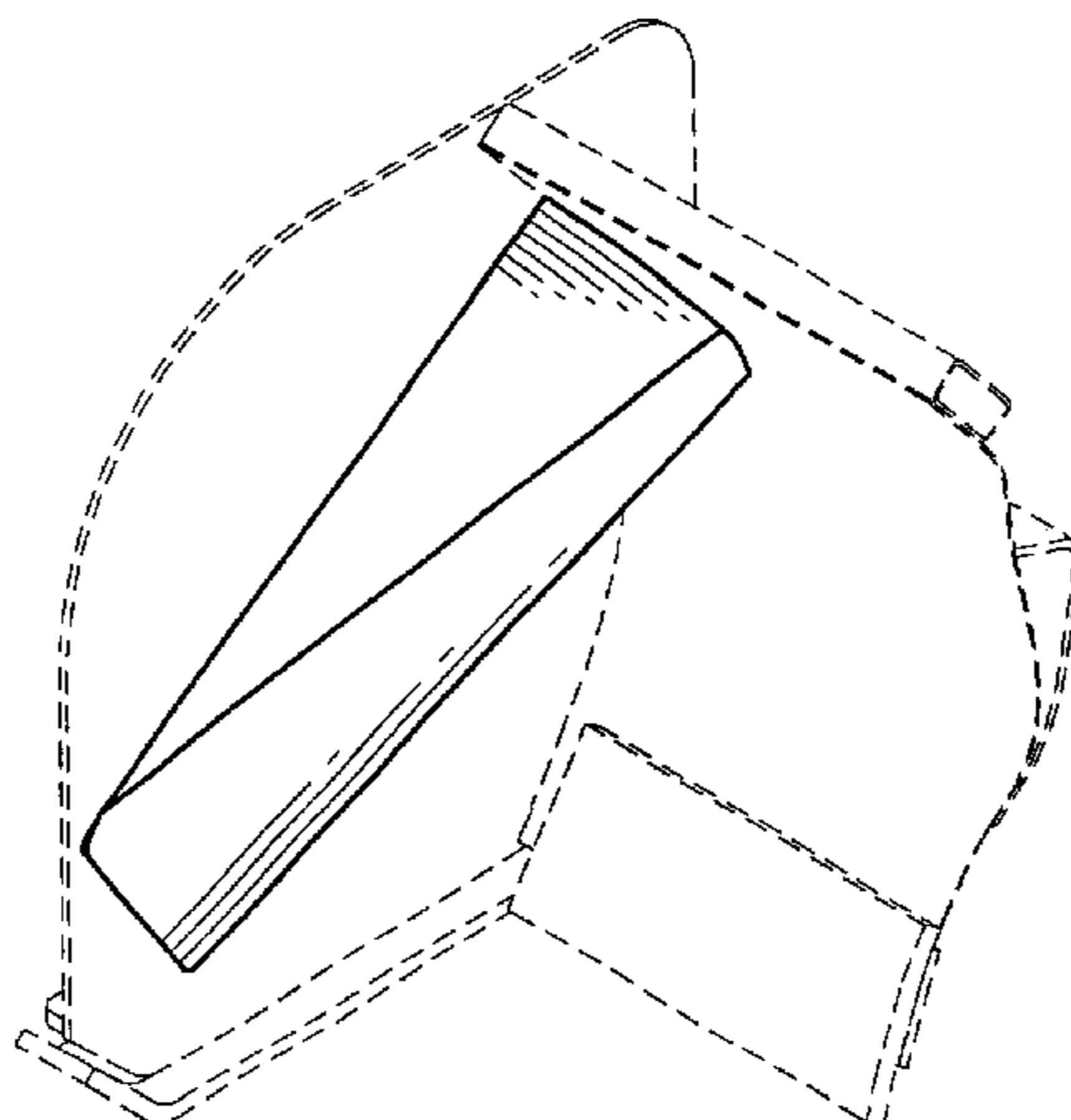
(56) **References Cited**

**U.S. PATENT DOCUMENTS**

637,712 A	11/1899	Damerell	
842,704 A	1/1907	Robins	
2,552,426 A	8/1951	Hedley	
3,289,331 A	* 12/1966	Freeman	172/701.2
3,604,517 A	9/1971	Clifford	
D256,244 S	* 8/1980	Ryan	D15/11
4,215,496 A	* 8/1980	Wehr	37/407
4,275,514 A	6/1981	Maura	
4,446,639 A	5/1984	Bohn	
4,707,936 A	11/1987	Steinhoff	
4,723,609 A	2/1988	Curtis	
4,741,116 A	5/1988	Engle	
4,803,790 A	* 2/1989	Ciula	37/266
4,936,392 A	6/1990	Kitchin	
4,962,600 A	10/1990	Zellaha et al.	
5,046,271 A	9/1991	Daniels	
5,129,169 A	7/1992	Aubichon	
D335,132 S	* 4/1993	Williams et al.	D15/29
5,265,355 A	11/1993	Daniels	
5,285,588 A	2/1994	Niemela et al.	
5,392,538 A	2/1995	Geerligs et al.	
5,408,765 A	* 4/1995	Lozensky	37/231

FIG. 1 is a front perspective view, taken from above, of a snow pusher sidewall gusset showing my design; FIG. 2 is a front perspective view, taken from below, of a snow pusher sidewall gusset showing my design; FIG. 3 is a left side elevational view of a snow pusher sidewall gusset showing my design; FIG. 4 is a rear elevational view of the unclaimed environment, wherein the snow pusher sidewall gusset is not visible; FIG. 5 is a top plan view of a snow pusher sidewall gusset showing my design; FIG. 6 is a right side elevational view of the unclaimed environment, wherein the snow pusher sidewall gusset is not visible; FIG. 7 is a front elevational view of a snow pusher sidewall gusset showing my design; and, FIG. 8 is a bottom plan view of a snow pusher sidewall gusset showing my design. Features shown in the drawings using broken lines are for illustrative purposes only and form no part of the claimed design.

**1 Claim, 2 Drawing Sheets**



# US D511,174 S

Page 2

---

## U.S. PATENT DOCUMENTS

5,950,141 A *	9/1999	Yamamoto et al. ....	702/41	6,560,904 B2	5/2003	Guggino	
6,112,438 A	9/2000	Weagley		D477,610 S *	7/2003	Matsumoto et al. ....	D15/11
6,240,660 B1	6/2001	Dugas		D478,097 S	8/2003	Vennard et al.	
6,425,196 B1	7/2002	Weagley et al.		6,612,050 B2	9/2003	Takeuchi	
6,516,544 B1 *	2/2003	Matisz et al. ....	37/231	D494,605 S *	8/2004	Calmer .....	D15/28

\* cited by examiner

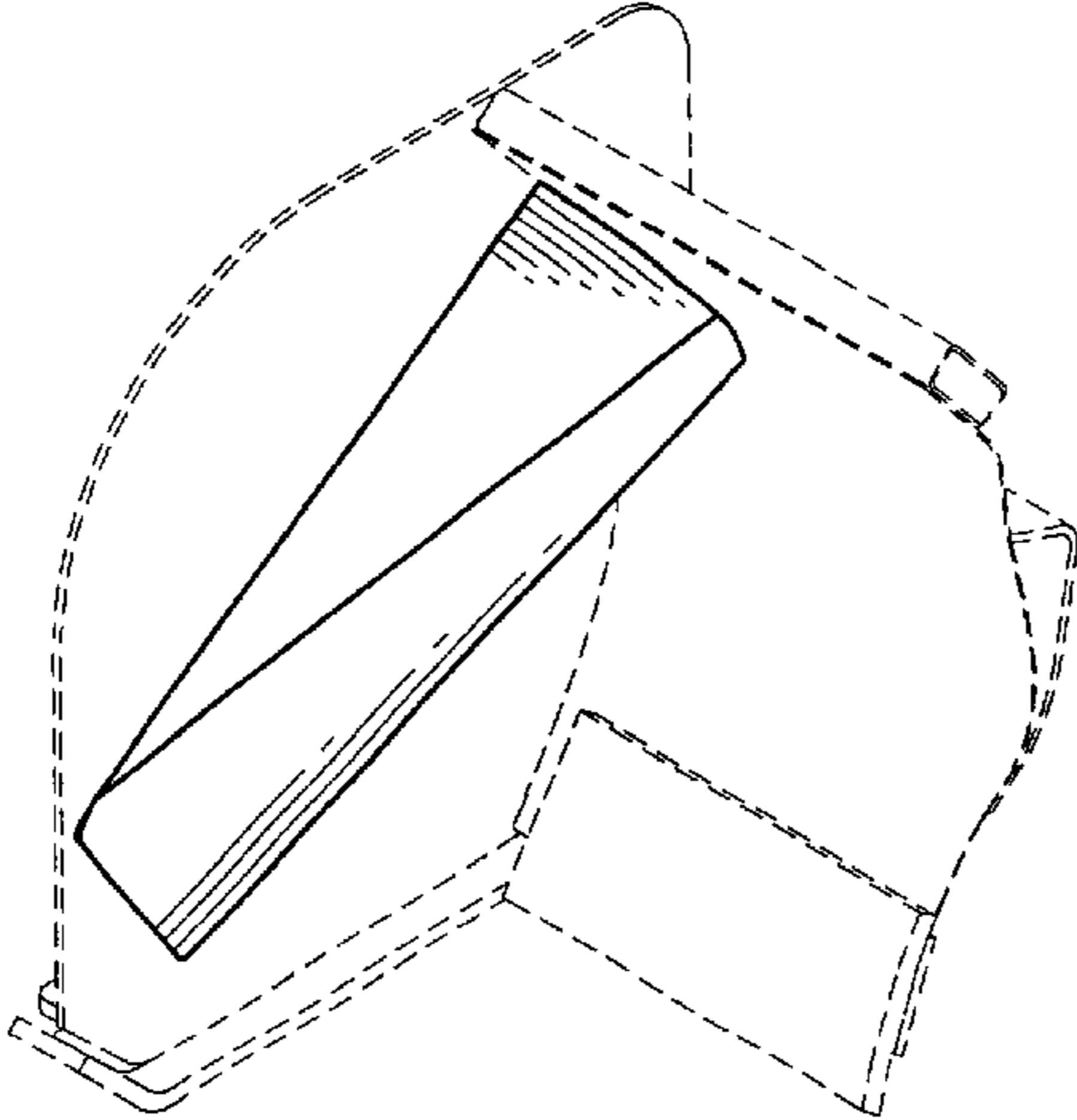


FIG. 1

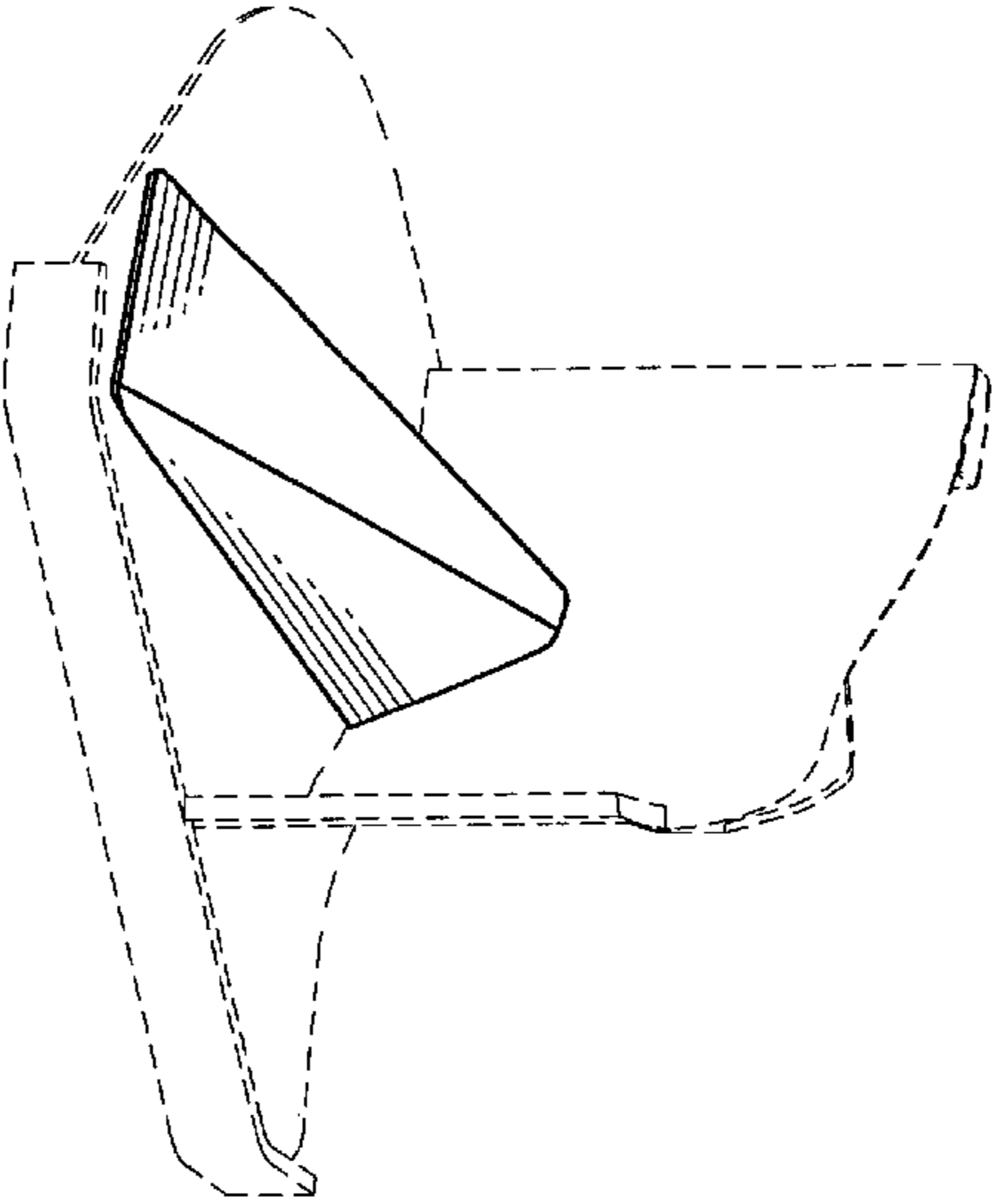


FIG. 2

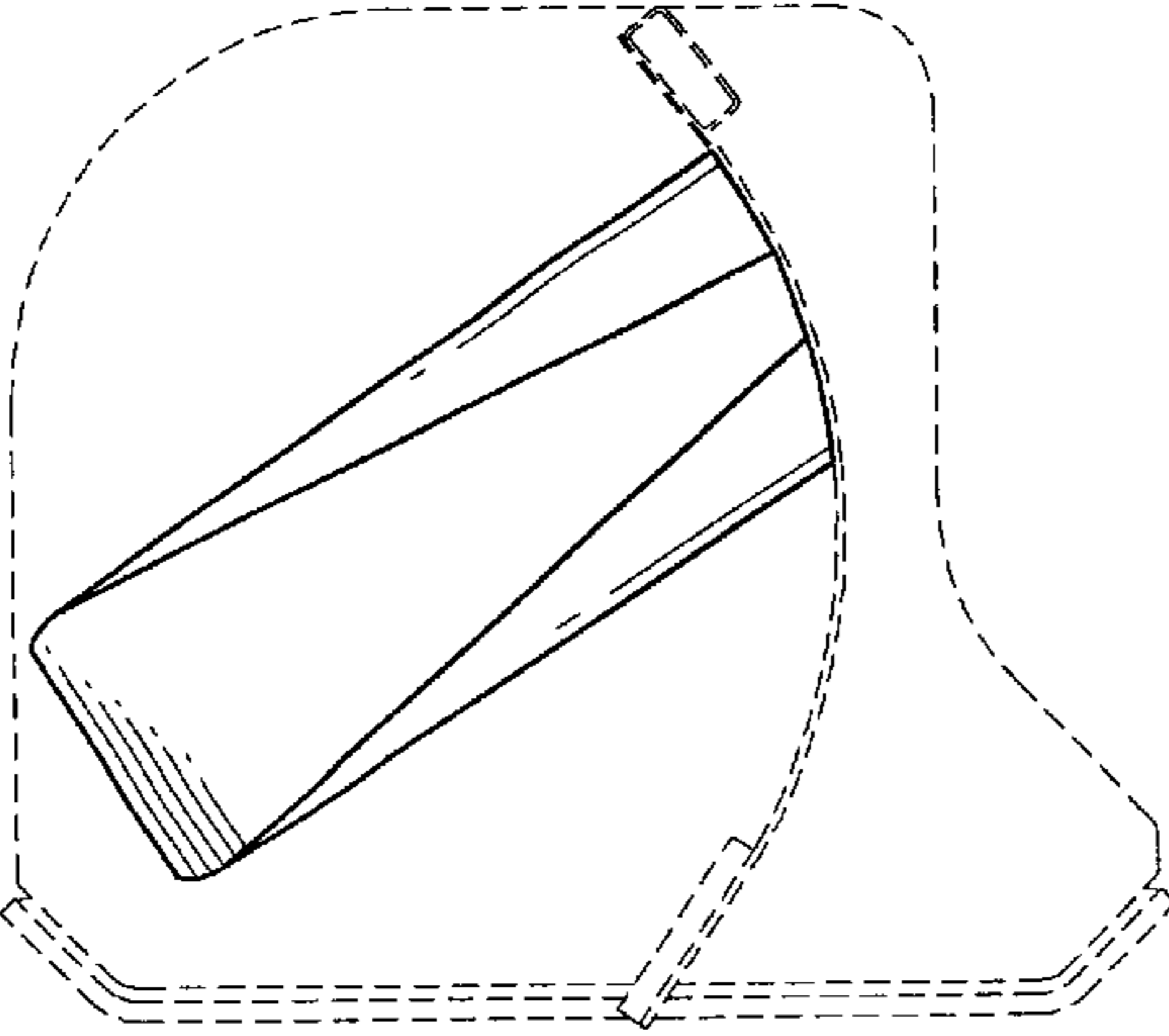


FIG. 3

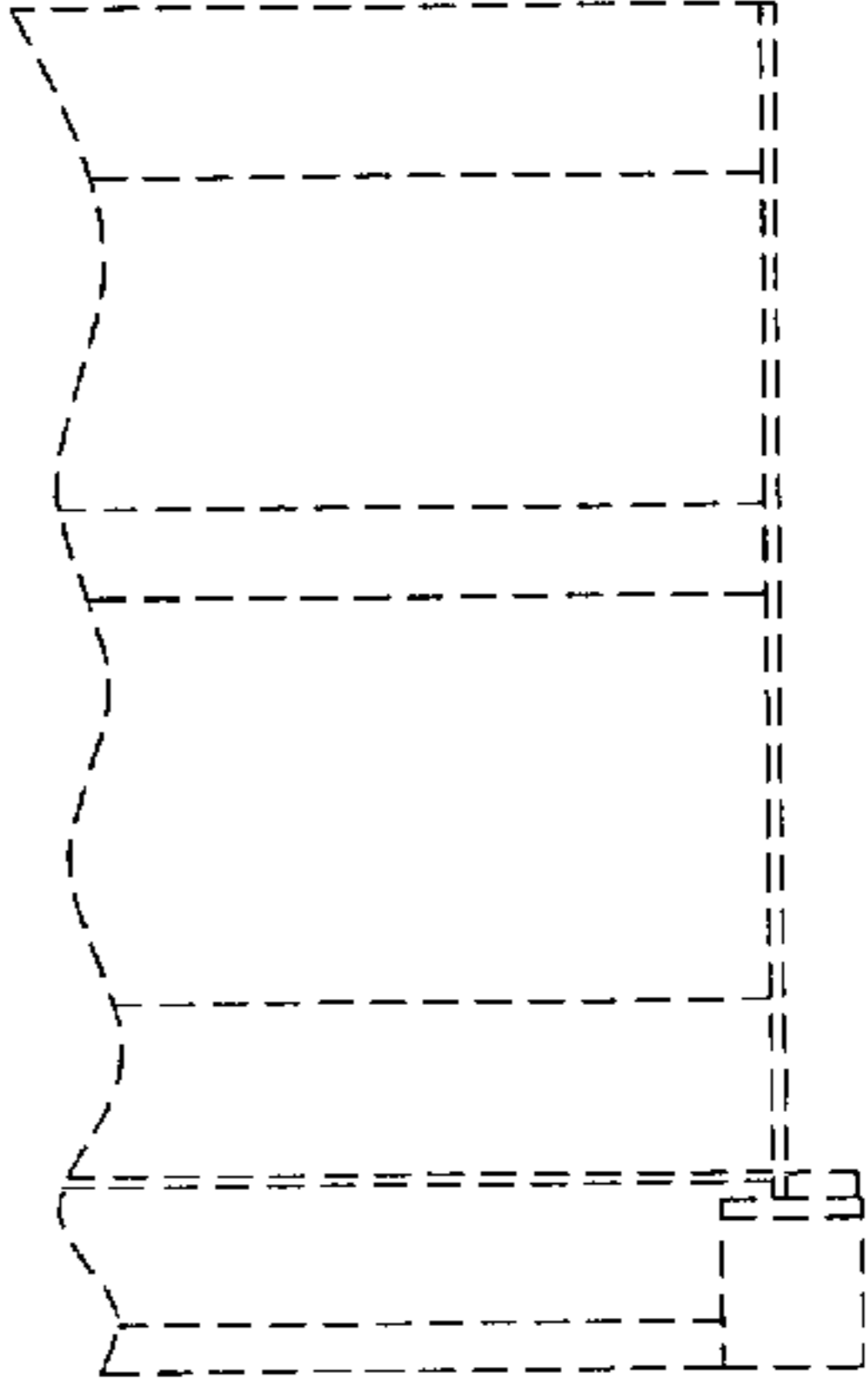


FIG. 4

FIG. 5

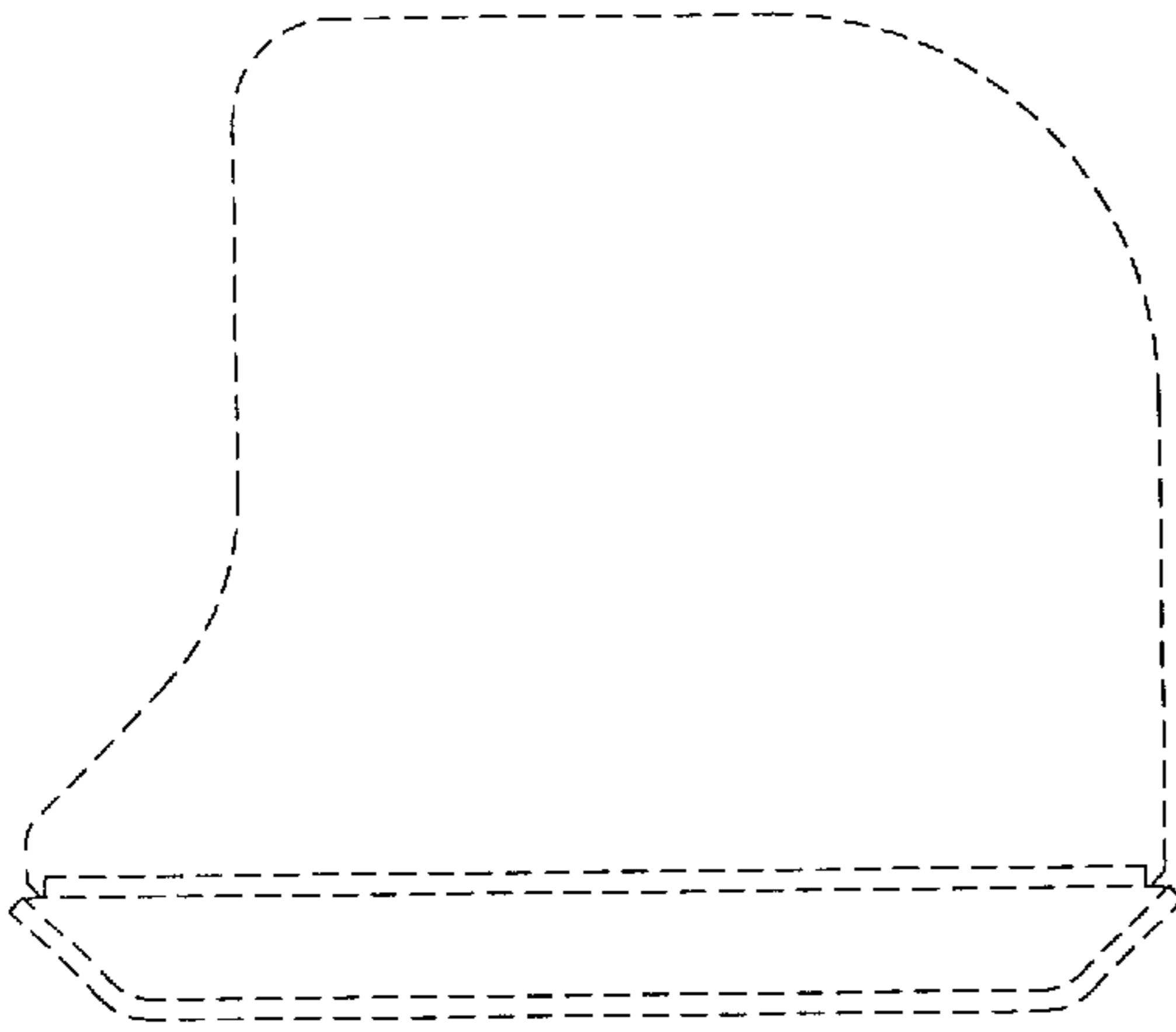
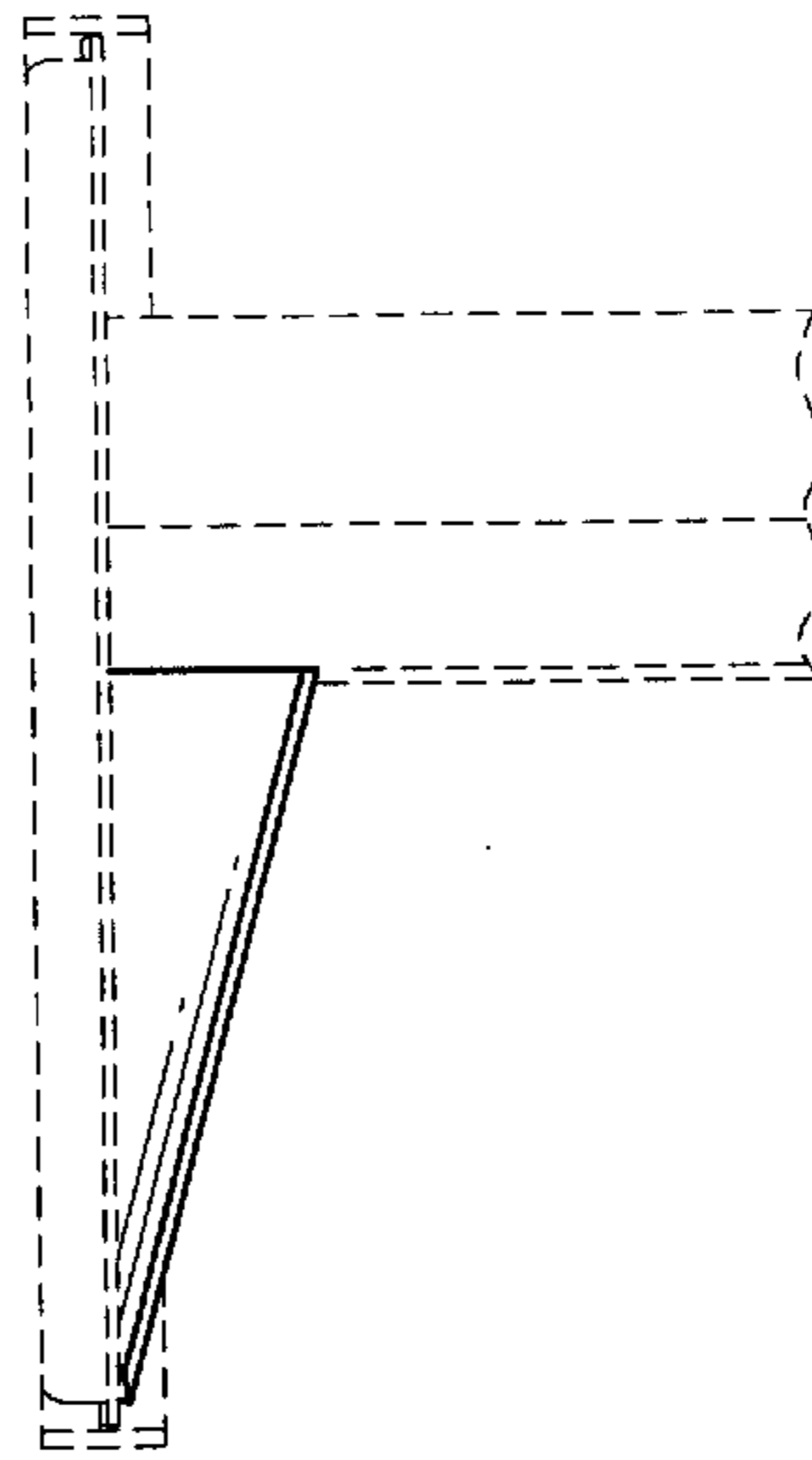


FIG. 6

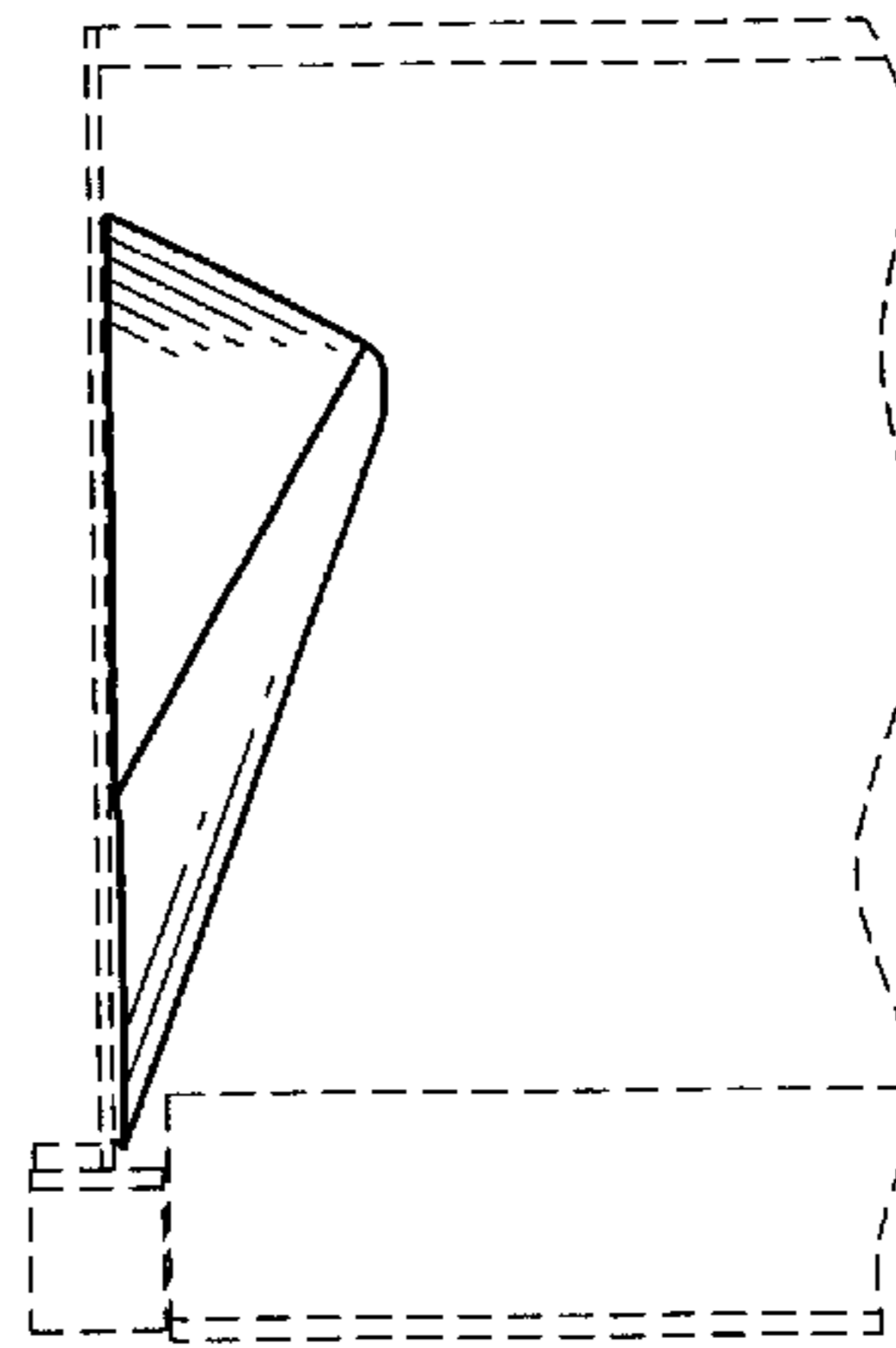


FIG. 7

FIG. 8

